

US00D863503S

(12) **United States Design Patent** (10) **Patent No.: US D863,503 S**
Tempel (45) **Date of Patent: ** Oct. 15, 2019**

(54) **FAUCET STREAM STRAIGHTENER**

D684,241 S *	6/2013	Tempel	D23/213
D691,238 S *	10/2013	Grether	D23/213
D733,255 S *	6/2015	Blum	D23/213
D752,710 S *	3/2016	Tempel	D23/213
D753,792 S *	4/2016	Blum	D23/213
D776,242 S *	1/2017	Blum	D23/213
D788,264 S *	5/2017	Stein	D23/213

(71) Applicant: **NEOPERL GMBH**, Mullheim (DE)

(72) Inventor: **Marc Tempel**, Freiburg (DE)

(73) Assignee: **NEOPERL GMBH**, Mullheim (DE)

* cited by examiner

(**) Term: **15 Years**

Primary Examiner — Khawaja Anwar

(21) Appl. No.: **35/505,153**

(74) *Attorney, Agent, or Firm* — Volpe and Koenig, P.C.

(22) Filed: **Jun. 7, 2018**

(80) **Hague Agreement Data**

Int. Filing Date: **Jun. 7, 2018**
 Int. Reg. No.: **DM/101569**
 Int. Reg. Date: **Jun. 7, 2018**
 Int. Reg. Pub. Date: **Jun. 22, 2018**

(57) **CLAIM**

The ornamental design for a faucet stream straightener, as shown and described.

(51) **LOC (12) Cl.** **23-01**

(52) **U.S. Cl.**
USPC **D23/213**

DESCRIPTION

(58) **Field of Classification Search**
 USPC D23/213, 221, 233, 235, 247, 249, 264
 CPC B05B 7/0425; E03C 1/08; E03C 1/084;
 E03C 1/086; E03C 2001/026
 See application file for complete search history.

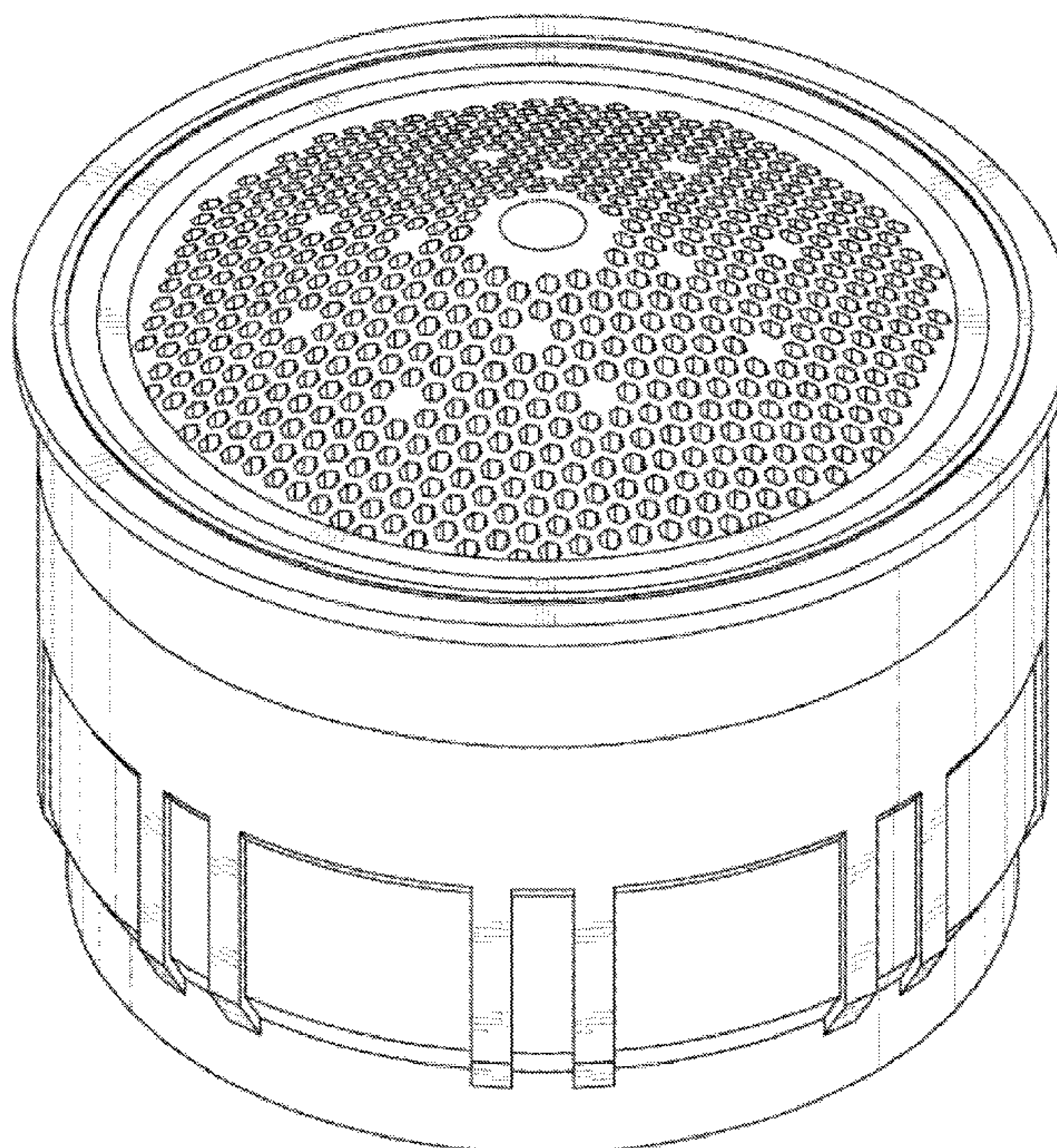
- 1. Faucet stream straightener
- 1.1 : Top
- 1.2 : Perspective
- 1.3 : Bottom
- 1.4 : Perspective
- 1.5 : Front
- 1.6 : Right
- 1.7 : Back
- 1.8 : Left

(56) **References Cited**

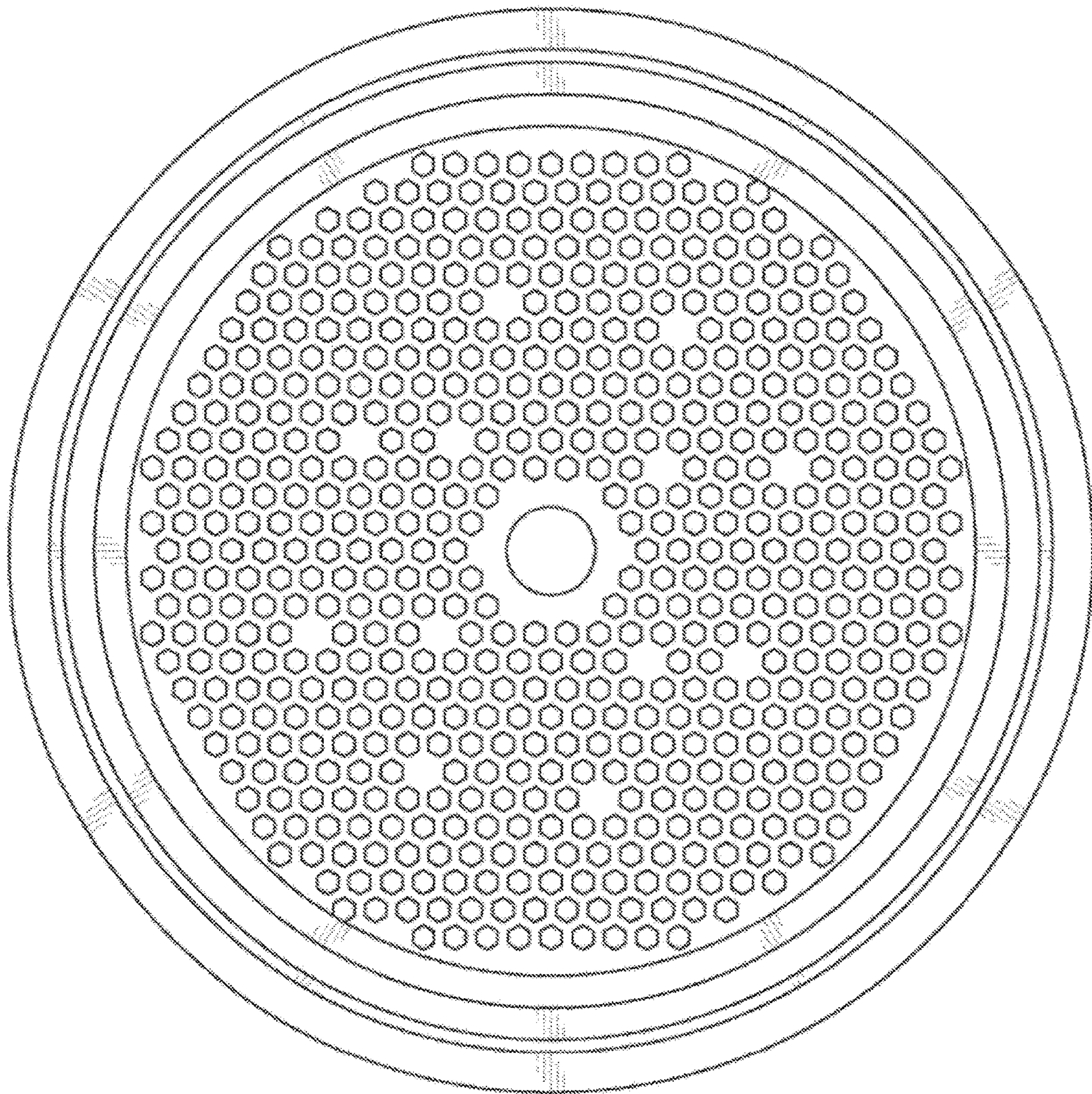
U.S. PATENT DOCUMENTS

D609,785 S *	2/2010	Grether	D23/249
D682,986 S *	5/2013	Grether	D23/213

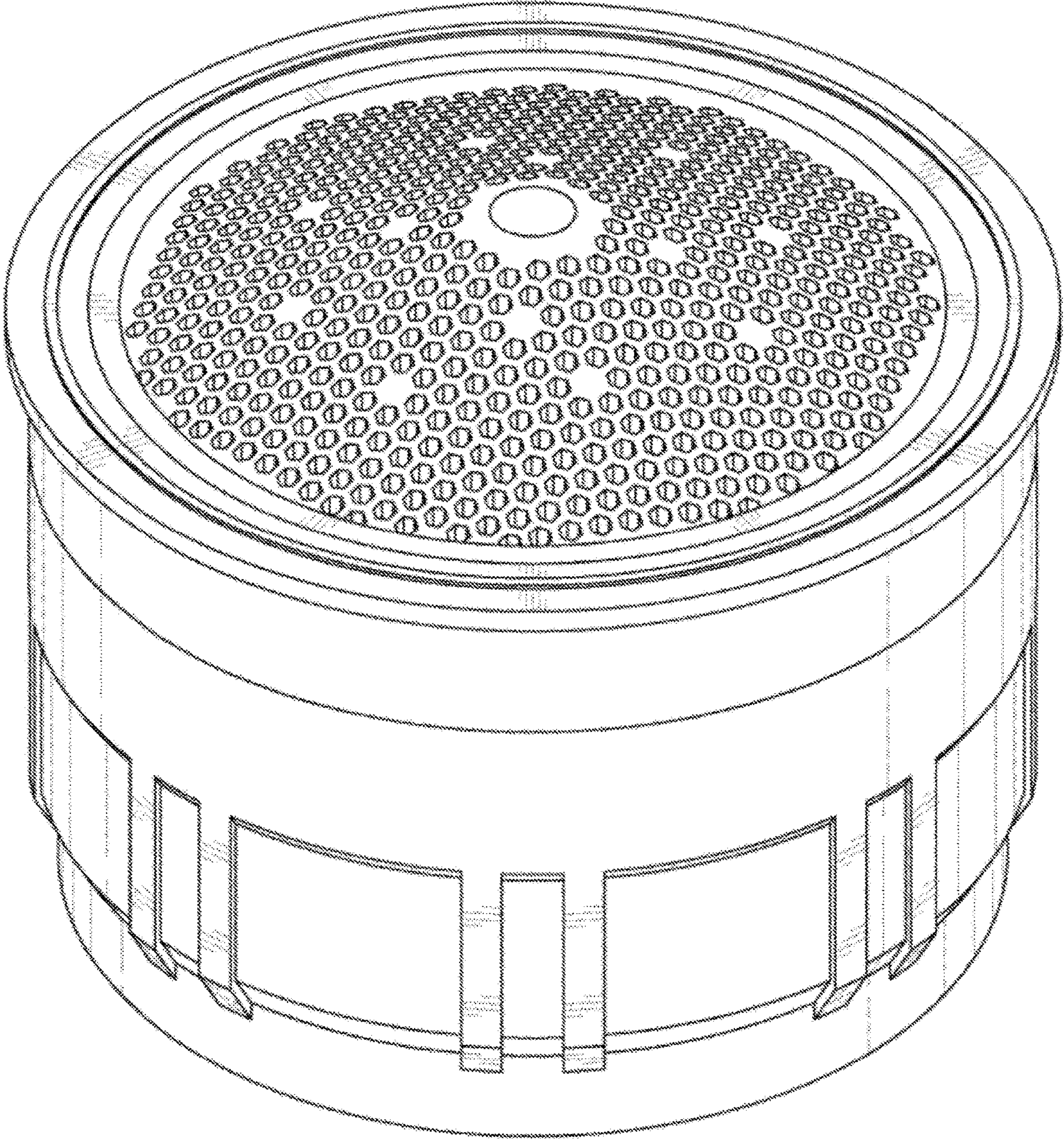
1 Claim, 8 Drawing Sheets



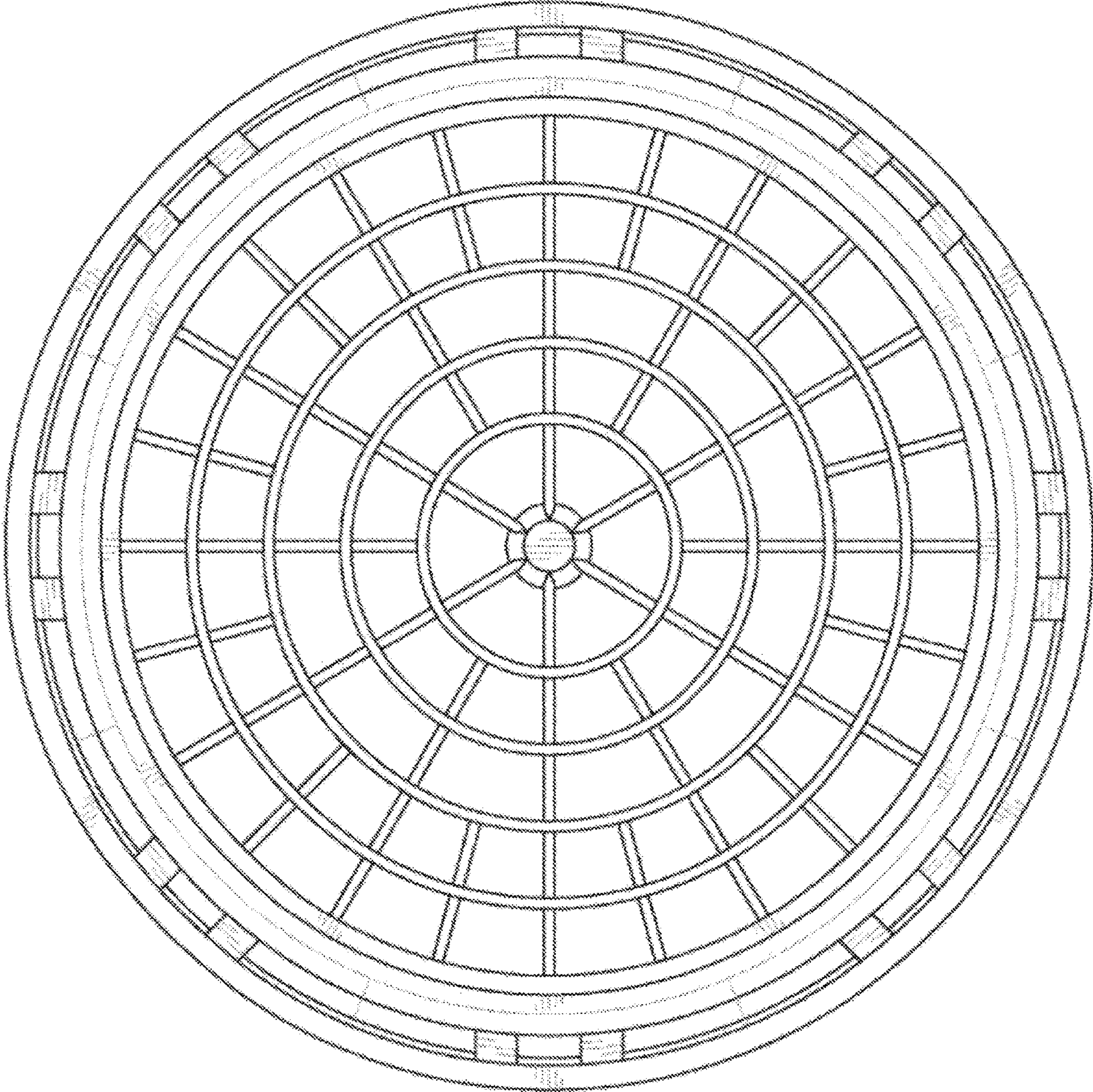
1.1



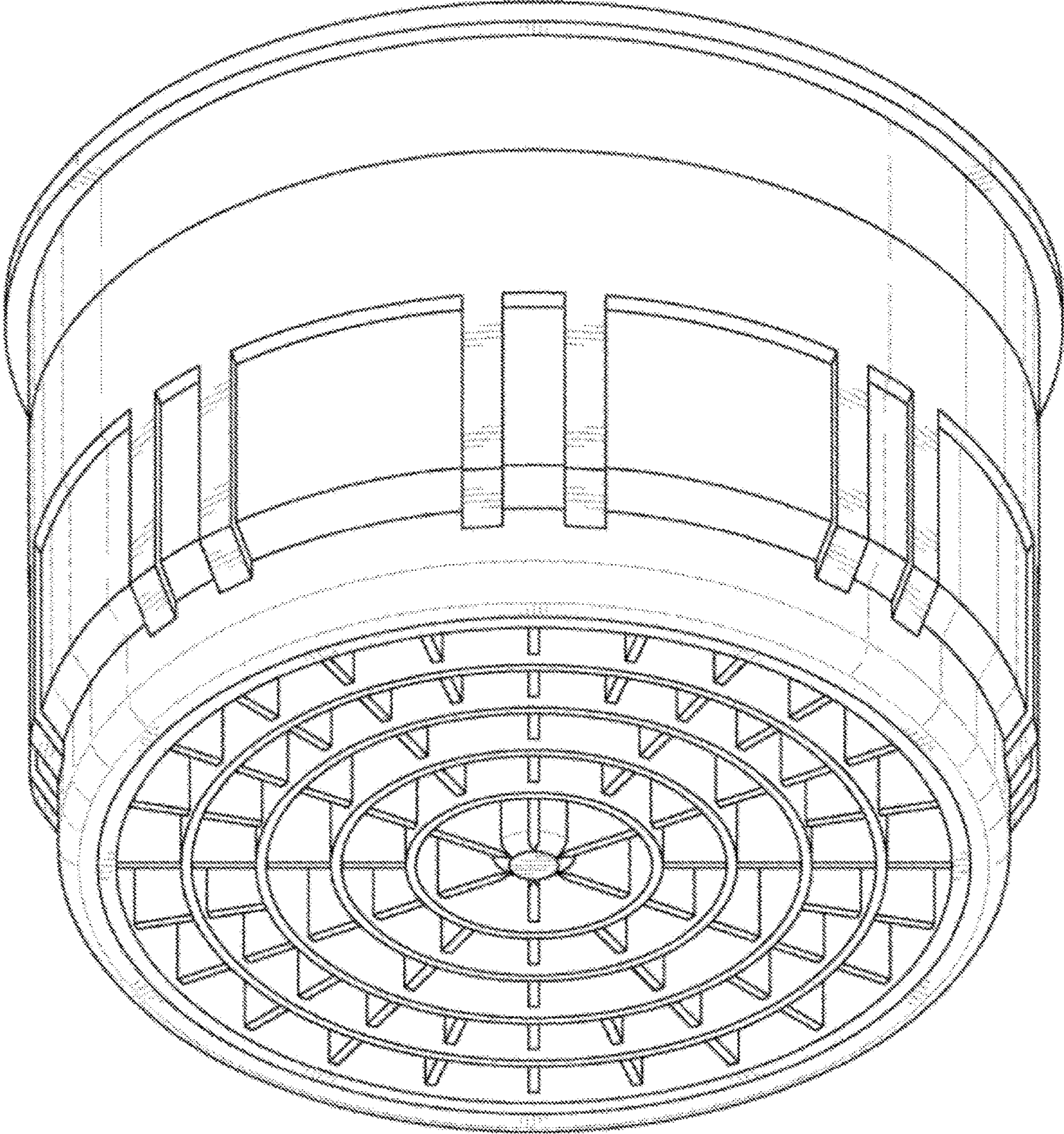
1.2



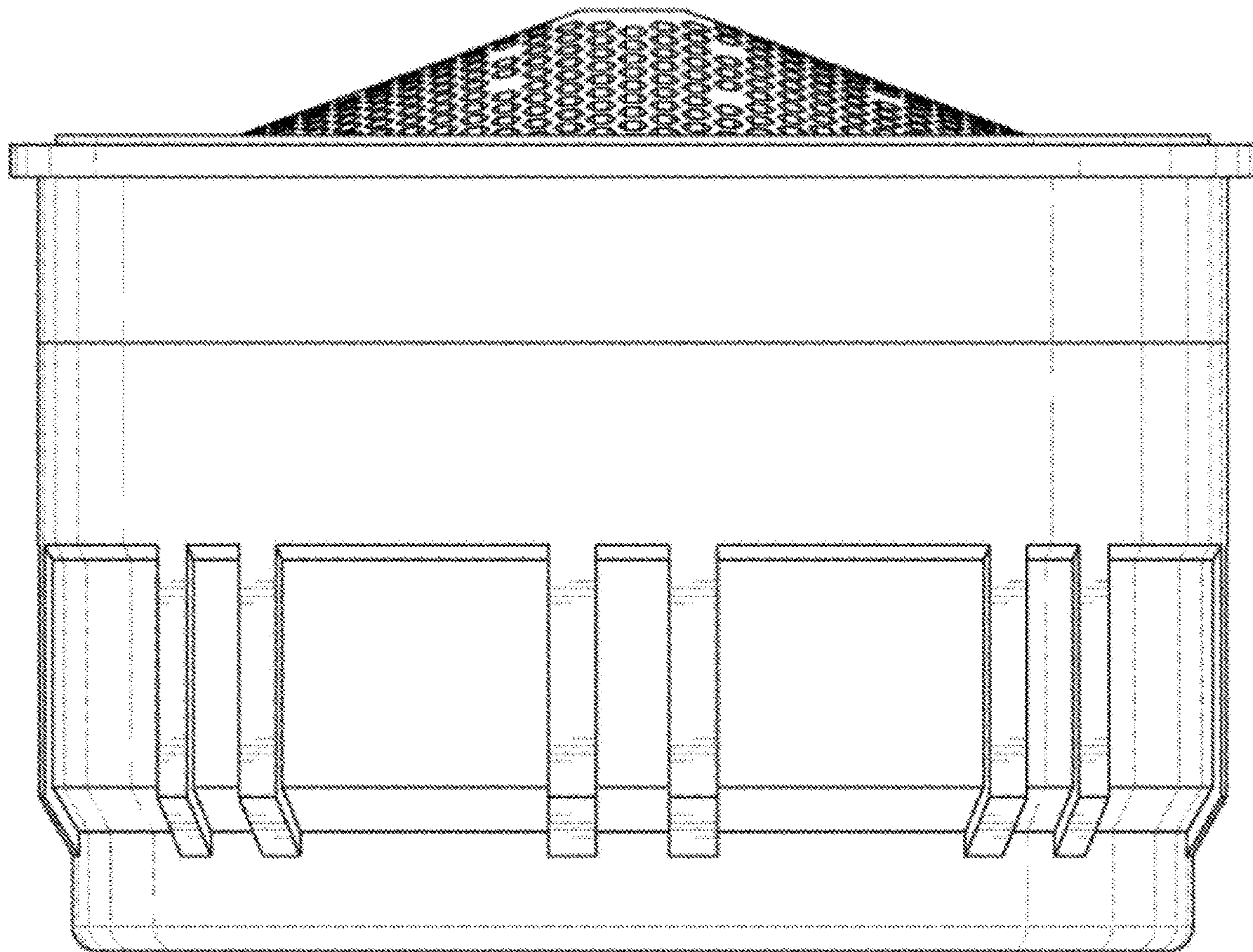
1.3



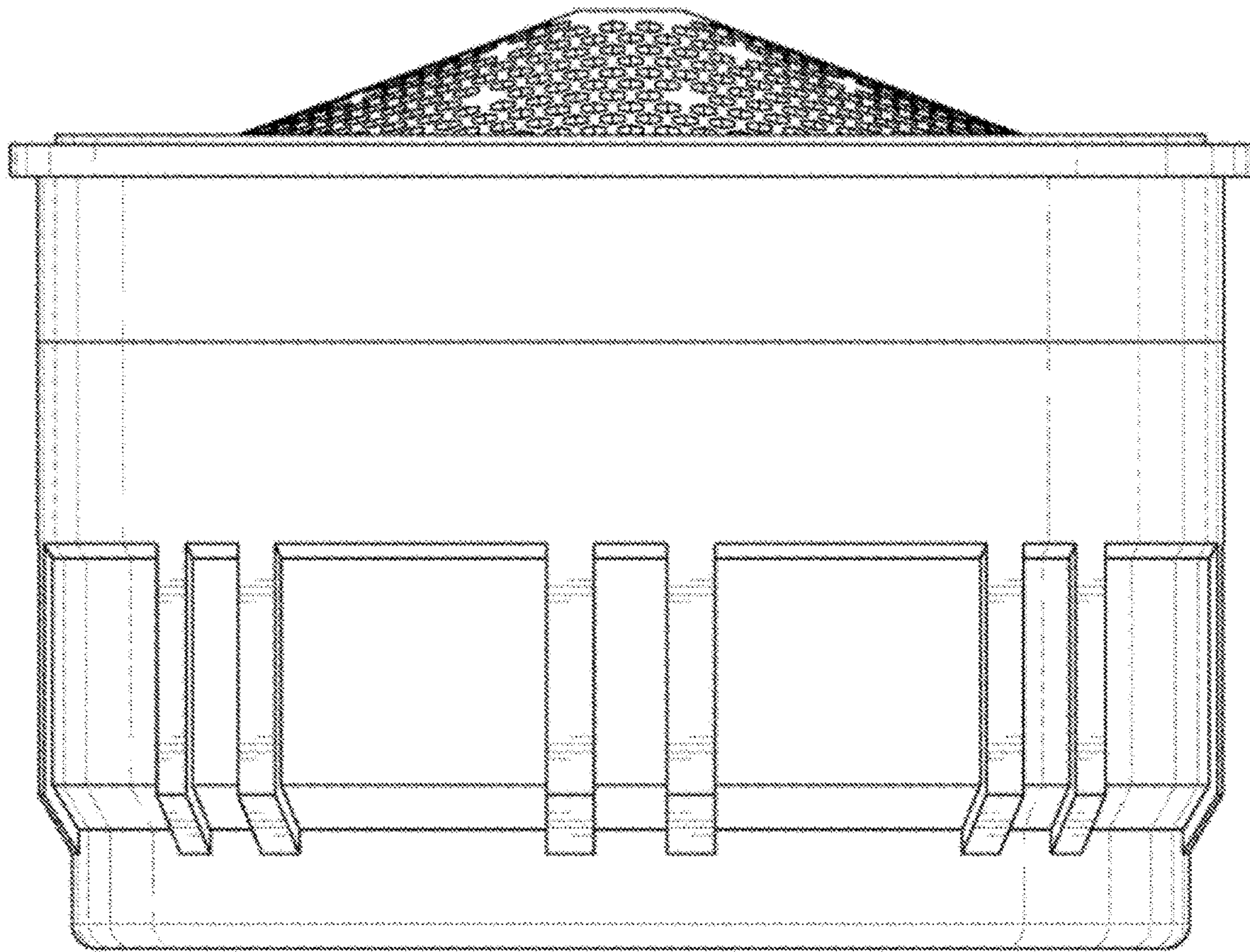
1.4



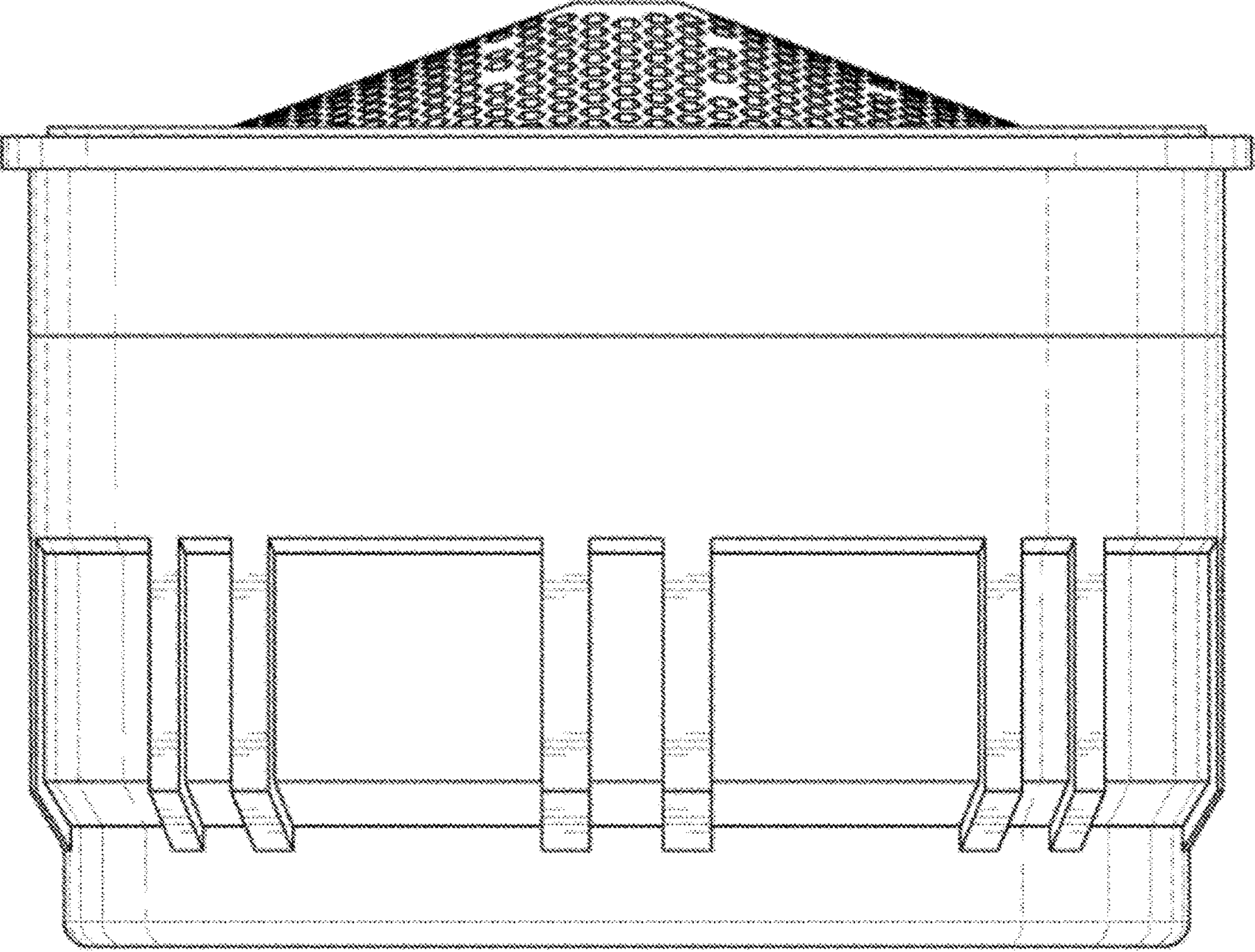
1.5



1.6



1.7



1.8

