



US00D863502S

(12) **United States Design Patent** (10) **Patent No.:** **US D863,502 S**
Hsieh (45) **Date of Patent:** **** Oct. 15, 2019**

(54) **SPRINKLER**
(71) Applicant: **Yuan Pin Industrial Co., Ltd.**, Ho-Mei Township, Chang-Hua County (TW)
(72) Inventor: **Ming Chih Hsieh**, Ho-Mei Township (TW)
(73) Assignee: **Yuan Pin Industrial Co., Ltd.**, Ho-Mei Township (TW)
(**) Term: **15 Years**
(21) Appl. No.: **29/649,939**
(22) Filed: **Jun. 4, 2018**
(51) **LOC (12) Cl.** **23-01**
(52) **U.S. Cl.**
USPC **D23/213; D23/226; D23/223**
(58) **Field of Classification Search**
USPC D23/213, 214, 215, 223, 224, 226, 229, D23/230
CPC A61H 9/0021; A61H 33/00; B05B 1/00; B05B 1/14; B05B 1/185; B05B 1/08; B05B 1/02; B05B 1/26; B05B 12/002; B05B 1/18; B05B 9/01
See application file for complete search history.

D718,418 S * 11/2014 Georgeson D23/213
8,950,693 B2 * 2/2015 Hsieh B05B 1/3026
239/525
D730,493 S * 5/2015 Sehl D23/261
D733,258 S * 6/2015 Sandee D23/223
D737,931 S * 9/2015 Schoenherr D23/223
D737,932 S * 9/2015 Nikles D23/223
D743,507 S * 11/2015 Georgeson D23/252
D746,955 S * 1/2016 Corder D23/261
D752,711 S * 3/2016 Georgeson D23/213
9,387,495 B2 * 7/2016 Schumacher B05B 1/30
D778,404 S * 2/2017 Schoenherr D23/223
D779,038 S * 2/2017 Hanna D23/223
D779,039 S * 2/2017 Hanna D23/223
D801,475 S * 10/2017 Naslund D23/213
D803,350 S * 11/2017 Tian D23/213
D808,499 S * 1/2018 Naslund D23/213
D809,094 S * 1/2018 Naslund D23/213
D810,233 S * 2/2018 Winter D23/213
D810,861 S * 2/2018 Weaver D23/213
D811,524 S * 2/2018 Bossini D23/223

(Continued)

Primary Examiner — Manpreet S Matharu
Assistant Examiner — Keith J Wilson
(74) *Attorney, Agent, or Firm* — Alan D. Kamrath; Mayer & Williams PC

(57) **CLAIM**

The ornamental design for a sprinkler, as shown.

(56) **References Cited**

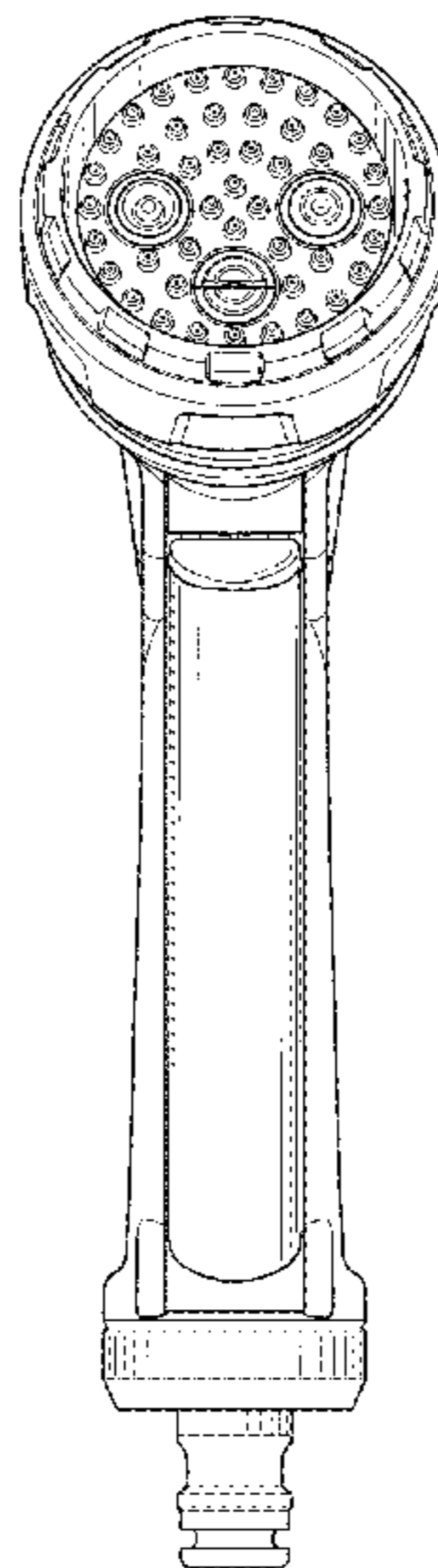
U.S. PATENT DOCUMENTS

D487,498 S * 3/2004 Blomstrom D23/213
D508,730 S * 8/2005 Blomstrom D23/229
D524,412 S * 7/2006 Blomstrom D23/229
D680,619 S * 4/2013 Zhadanov D23/223
D681,776 S * 5/2013 Cutler D23/223
D694,357 S * 11/2013 Brodey D23/213
D694,359 S * 11/2013 Schoenherr D23/213
D707,330 S * 6/2014 Schoenherr D23/223
D713,004 S * 9/2014 Schoenherr D23/223
D713,496 S * 9/2014 Schoenherr D23/213

DESCRIPTION

FIG. 1 is a perspective view of a sprinkler showing my new design;
FIG. 2 is a front view thereof;
FIG. 3 is a rear view thereof;
FIG. 4 is a left view thereof;
FIG. 5 is a right view thereof;
FIG. 6 is a top view thereof; and,
FIG. 7 is a bottom view thereof.

1 Claim, 6 Drawing Sheets



(56)

References Cited

U.S. PATENT DOCUMENTS

9,895,703	B1	*	2/2018	Hsieh	B05B 1/3026
D820,388	S	*	6/2018	Seum	D23/213
D820,949	S	*	6/2018	Reinecker	D23/213
D821,542	S	*	6/2018	Reinecker	D23/213
D824,485	S	*	7/2018	Montoya	D23/213
D833,575	S	*	11/2018	Soulier	D23/223
D839,384	S	*	1/2019	Svendsen	D23/213
D840,503	S	*	2/2019	Stein	D23/213
D841,121	S	*	2/2019	Kiefer	D23/213
D841,125	S	*	2/2019	Lai	D23/223
D842,429	S	*	3/2019	Huang	D23/213
D842,430	S	*	3/2019	Huang	D23/213
D842,431	S	*	3/2019	Cacka	D23/213
D842,967	S	*	3/2019	Farley	D23/213

* cited by examiner

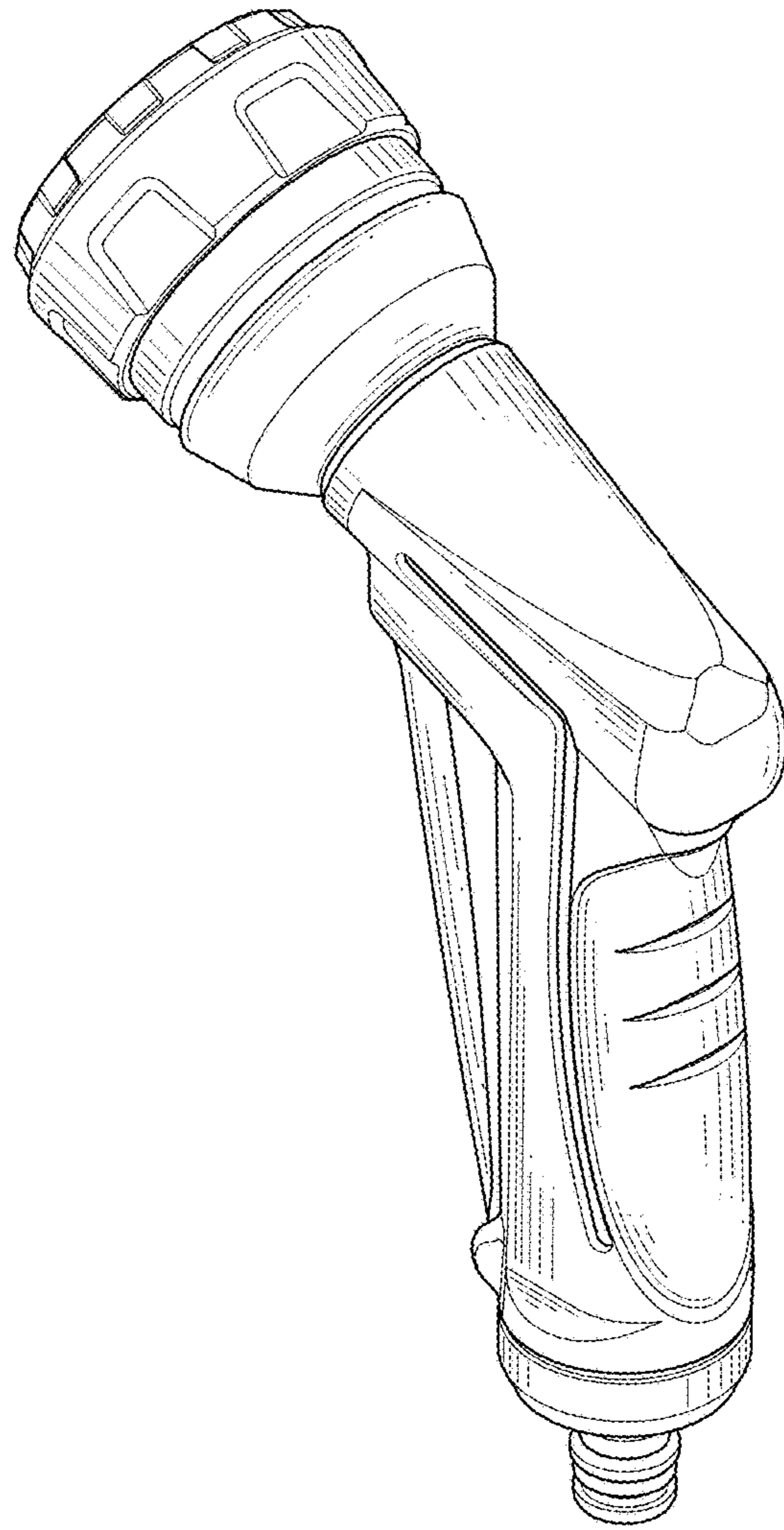


FIG. 1

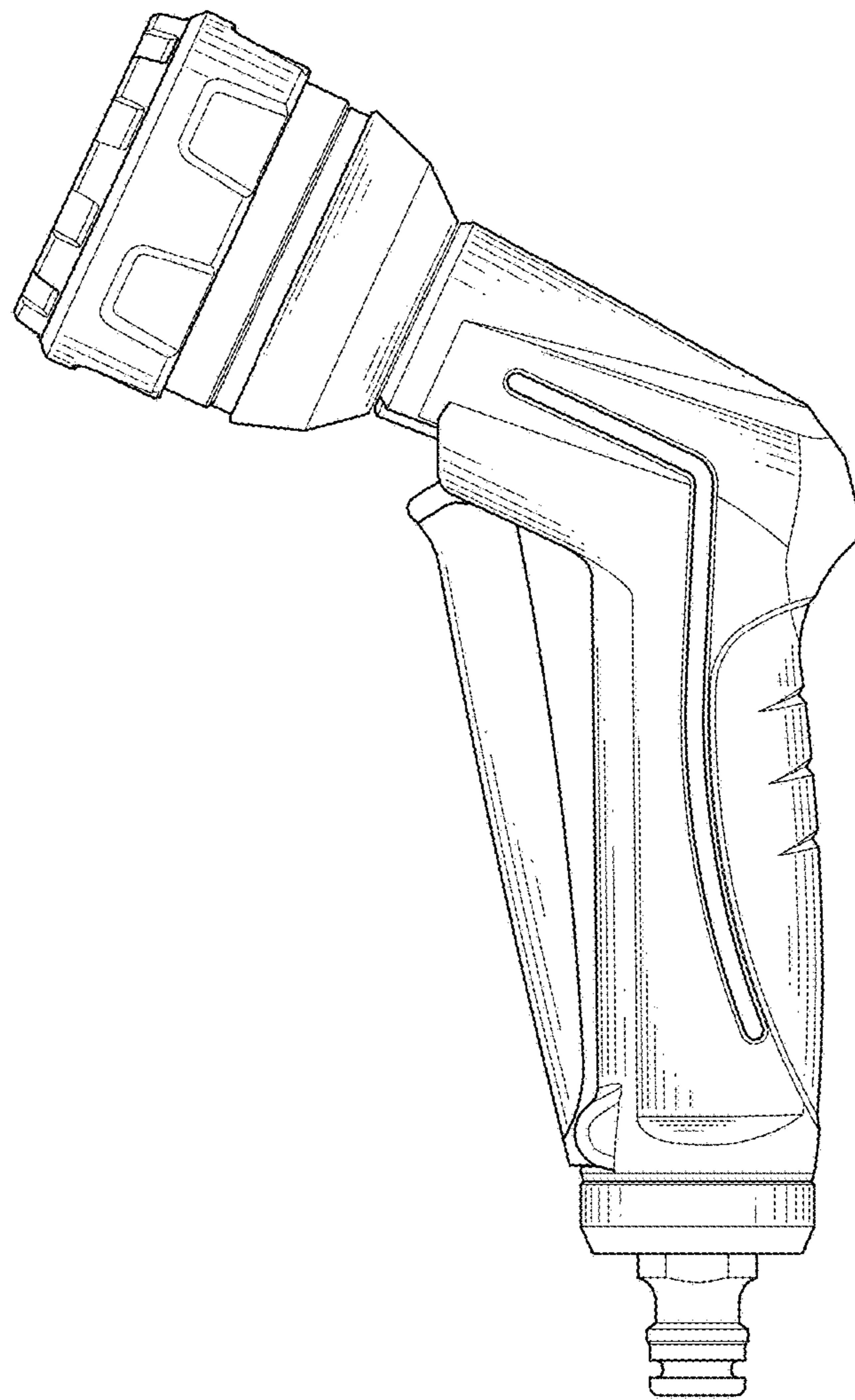


FIG. 2

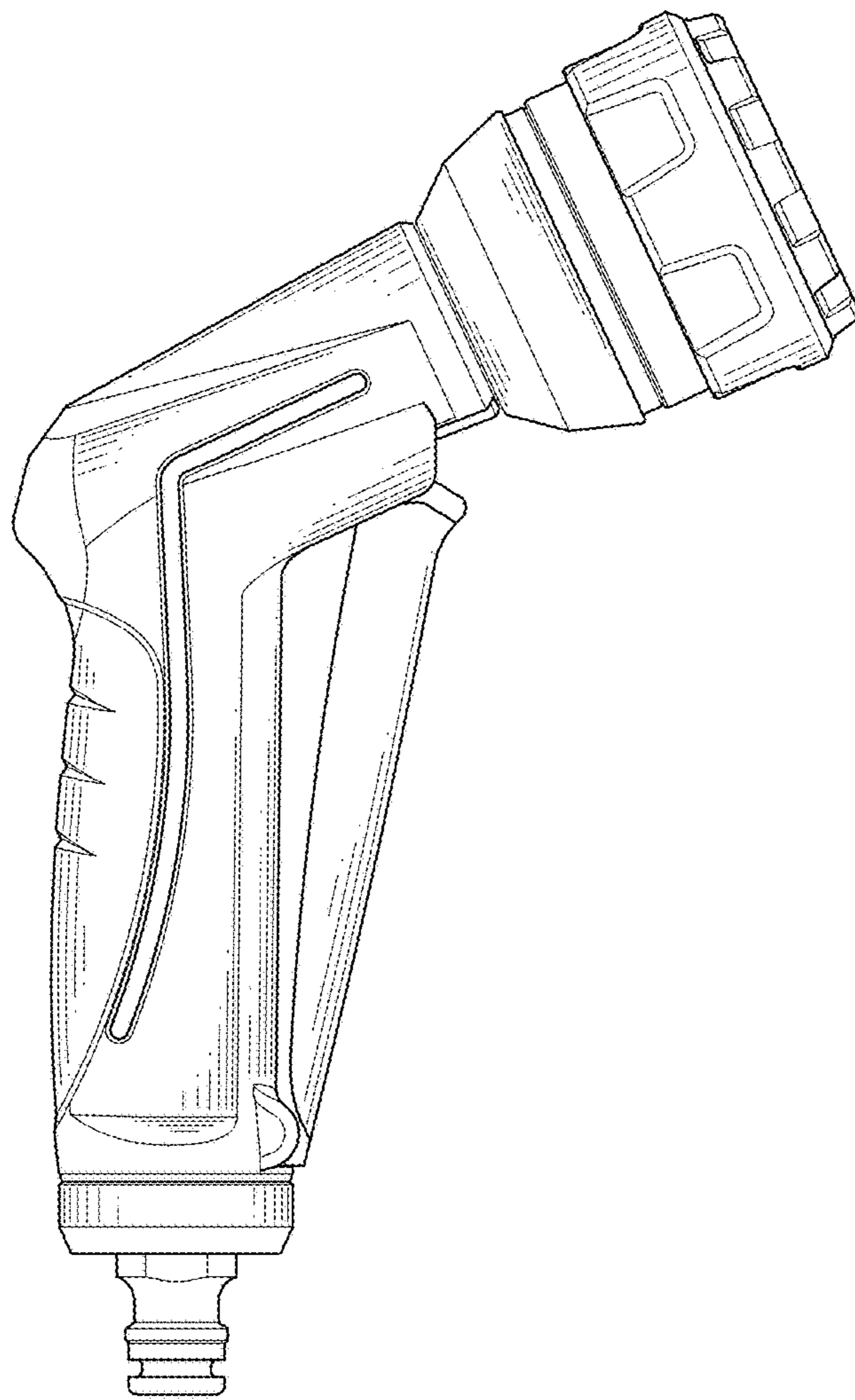


FIG. 3

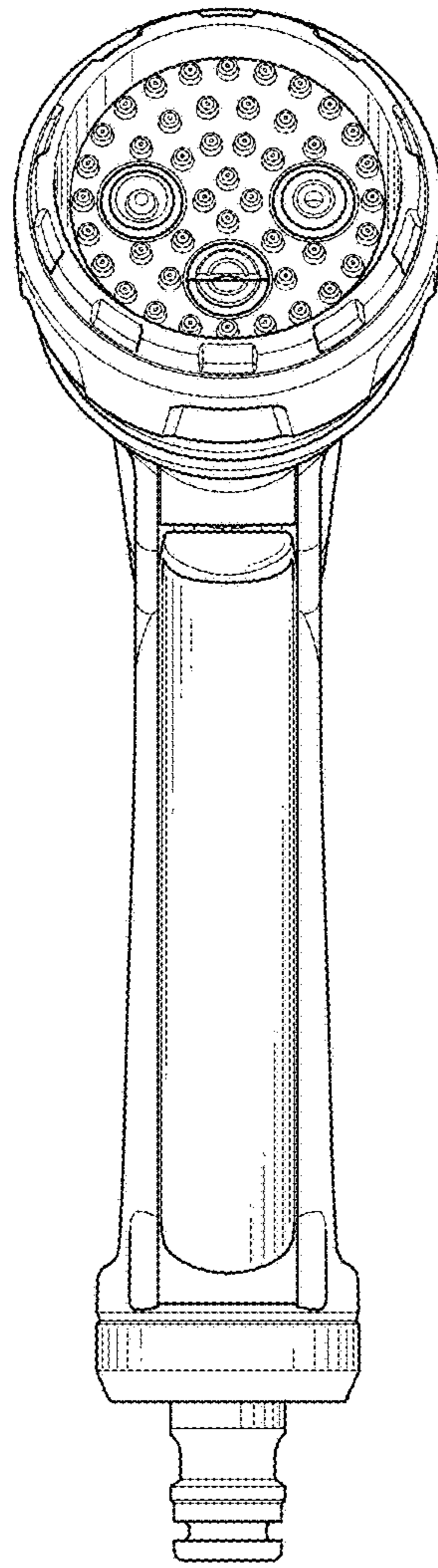


FIG. 4

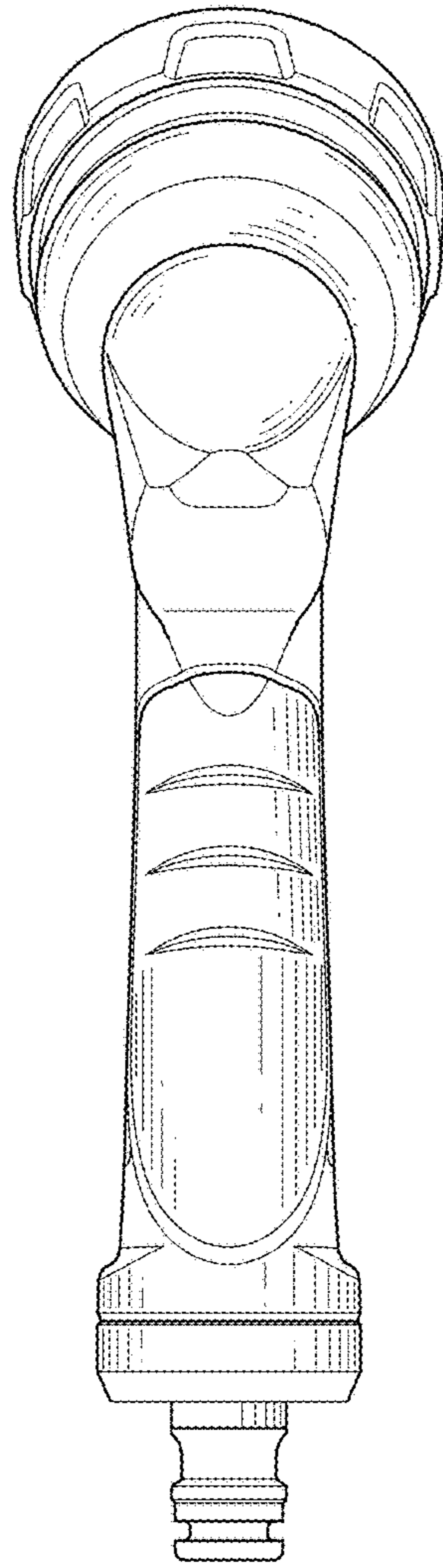


FIG. 5

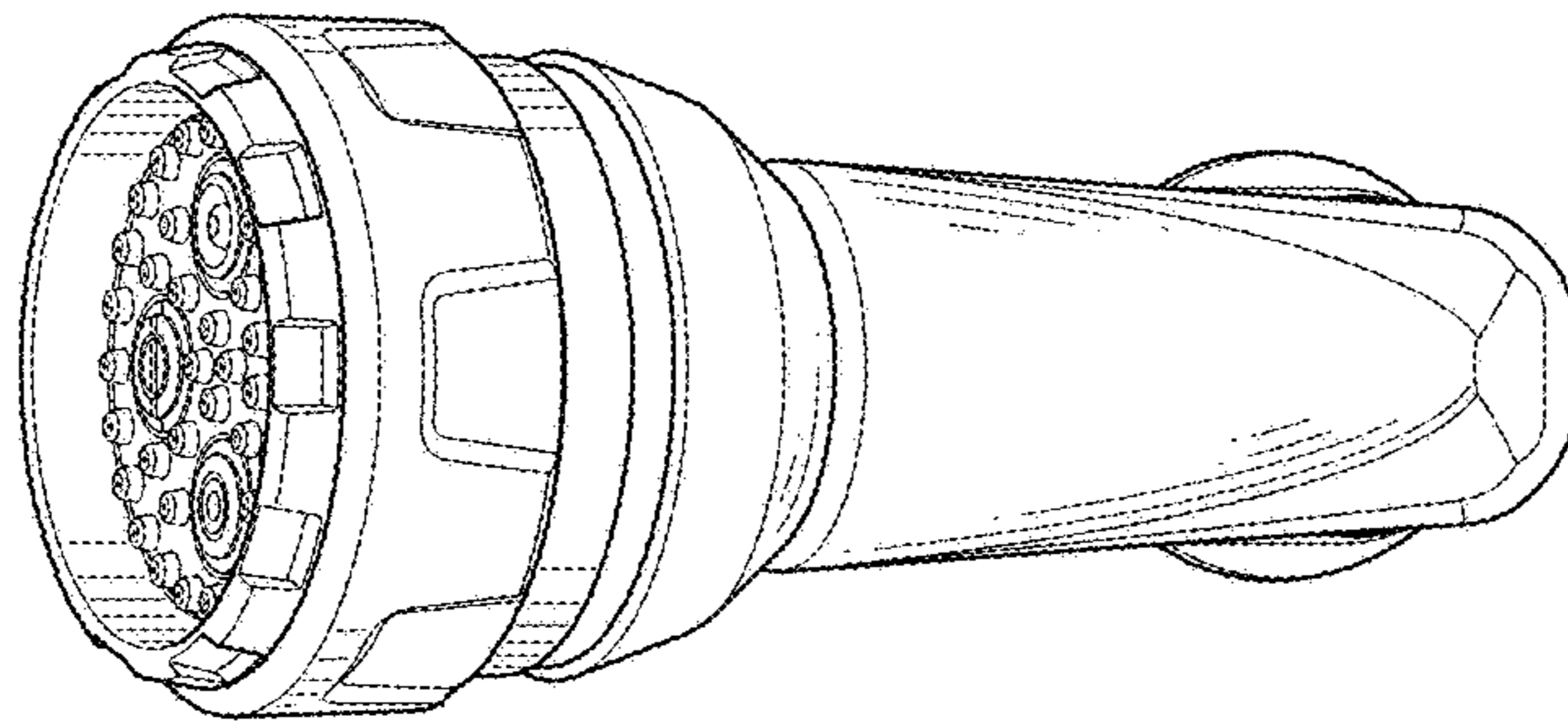


FIG. 6

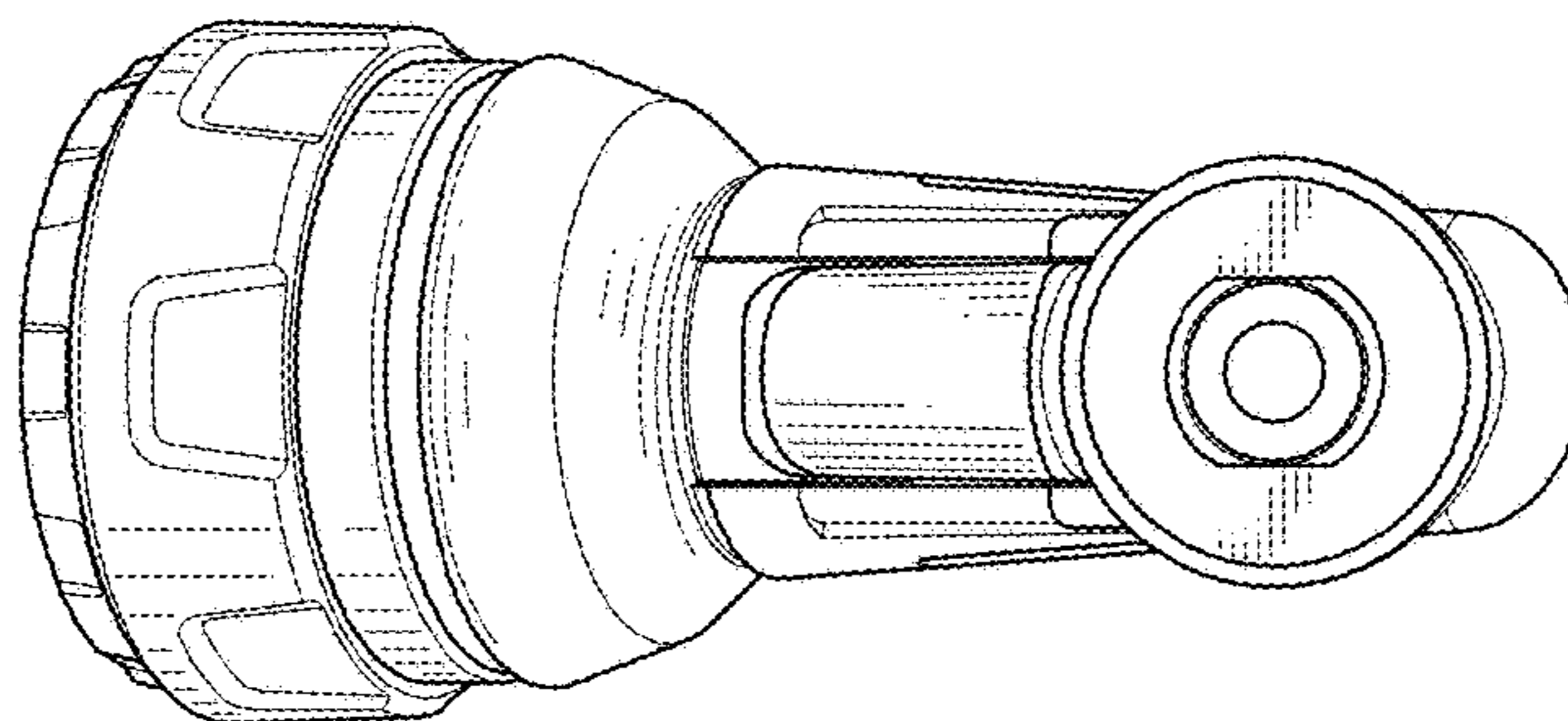


FIG. 7