



US00D863501S

(12) **United States Design Patent** (10) **Patent No.:** **US D863,501 S**
Briscoe et al. (45) **Date of Patent:** **** Oct. 15, 2019**

(54) **FIRE SUPPRESSION NOZZLE**
(71) Applicant: **Knox Fire and Security Limited,**
London (GB)

D604,804 S * 11/2009 VanEerden D23/214
D665,953 S * 8/2012 Leary A01K 13/001
D30/158
D708,300 S * 7/2014 Kah, Jr. D23/214
(Continued)

(72) Inventors: **Guy Briscoe,** London (GB); **William Brackfield,** London (GB)

FOREIGN PATENT DOCUMENTS

(73) Assignee: **Knox Fire and Security Limited,**
London (GB)

GB 2390018 A 12/2003
JP 2013-192752 A 3/2013
(Continued)

(**) Term: **15 Years**

OTHER PUBLICATIONS

(21) Appl. No.: **29/643,903**

International Preliminary Report on Patentability for International Patent Application No. PCT/GB2015/053133, dated Apr. 12, 2017, 12 pages.

(22) Filed: **Apr. 12, 2018**

(Continued)

(30) **Foreign Application Priority Data**

Oct. 12, 2017 (GB) 6020194

(51) **LOC (12) Cl.** **23-01**

(52) **U.S. Cl.**
USPC **D23/213; D23/214**

(58) **Field of Classification Search**
USPC D23/213, 214, 215, 223, 224, 226, 229,
D23/230

CPC A61H 9/0021; A61H 33/00; B05B 1/00;
B05B 1/14; B05B 1/185; B05B 1/08;
B05B 1/02; B05B 1/26; B05B 12/002;
B05B 1/18; B05B 9/01

See application file for complete search history.

(56) **References Cited**

U.S. PATENT DOCUMENTS

4,014,388 A * 3/1977 Anderson A62C 37/12
169/37
D275,313 S * 8/1984 Clivio D23/218
5,573,065 A 11/1996 Sundholm
5,967,239 A 10/1999 Sprakel et al.
6,520,265 B2 * 2/2003 Winebrenner A62C 31/02
169/37

Primary Examiner — Manpreet S Matharu

Assistant Examiner — Keith J Wilson

(74) *Attorney, Agent, or Firm* — Cooley LLP; LA
McAnelly

(57) **CLAIM**

The ornamental design for a fire suppression nozzle, as shown and described.

DESCRIPTION

FIG. 1 is a perspective view of a new design for a fire suppression nozzle;

FIG. 2 is a front view thereof;

FIG. 3 is a rear view thereof;

FIG. 4 is a left side view thereof;

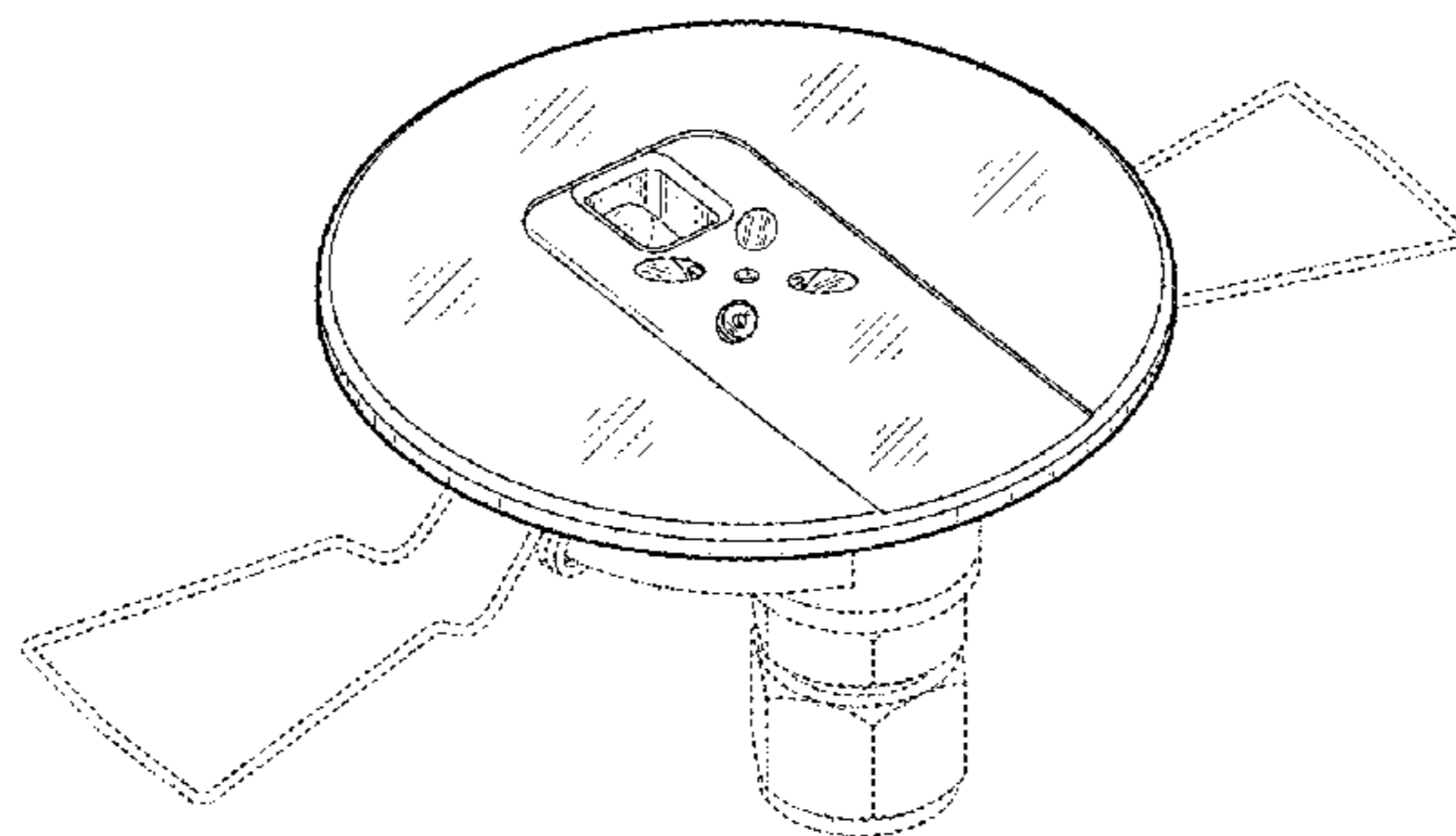
FIG. 5 is a right side thereof;

FIG. 6 is a top view thereof; and,

FIG. 7 is a bottom view thereof.

The portions depicted in broken lines depict illustrative environmental subject matter only and form no part of the claimed design. The thin solid lines illustrate surface contour and form no part of the claimed design.

1 Claim, 7 Drawing Sheets



(56)

References Cited

U.S. PATENT DOCUMENTS

D709,987 S * 7/2014 Robinson D23/213
D813,349 S * 3/2018 Rudrapada D23/214
2002/0134557 A1 9/2002 Petersen
2011/0127050 A1 6/2011 Pahila et al.
2014/0262357 A1 9/2014 Ringer

FOREIGN PATENT DOCUMENTS

WO WO 2004/094000 A1 11/2004
WO WO 2014/165268 A2 10/2014

OTHER PUBLICATIONS

International Search Report and Written Opinion for International Patent Application No. PCT/GB2015/053133, dated Feb. 15, 2016, 19 pages.

Search and Examination Report for United Kingdom Patent Application No. GB 1418605.0, dated Dec. 17, 2014, 7 pages.

* cited by examiner

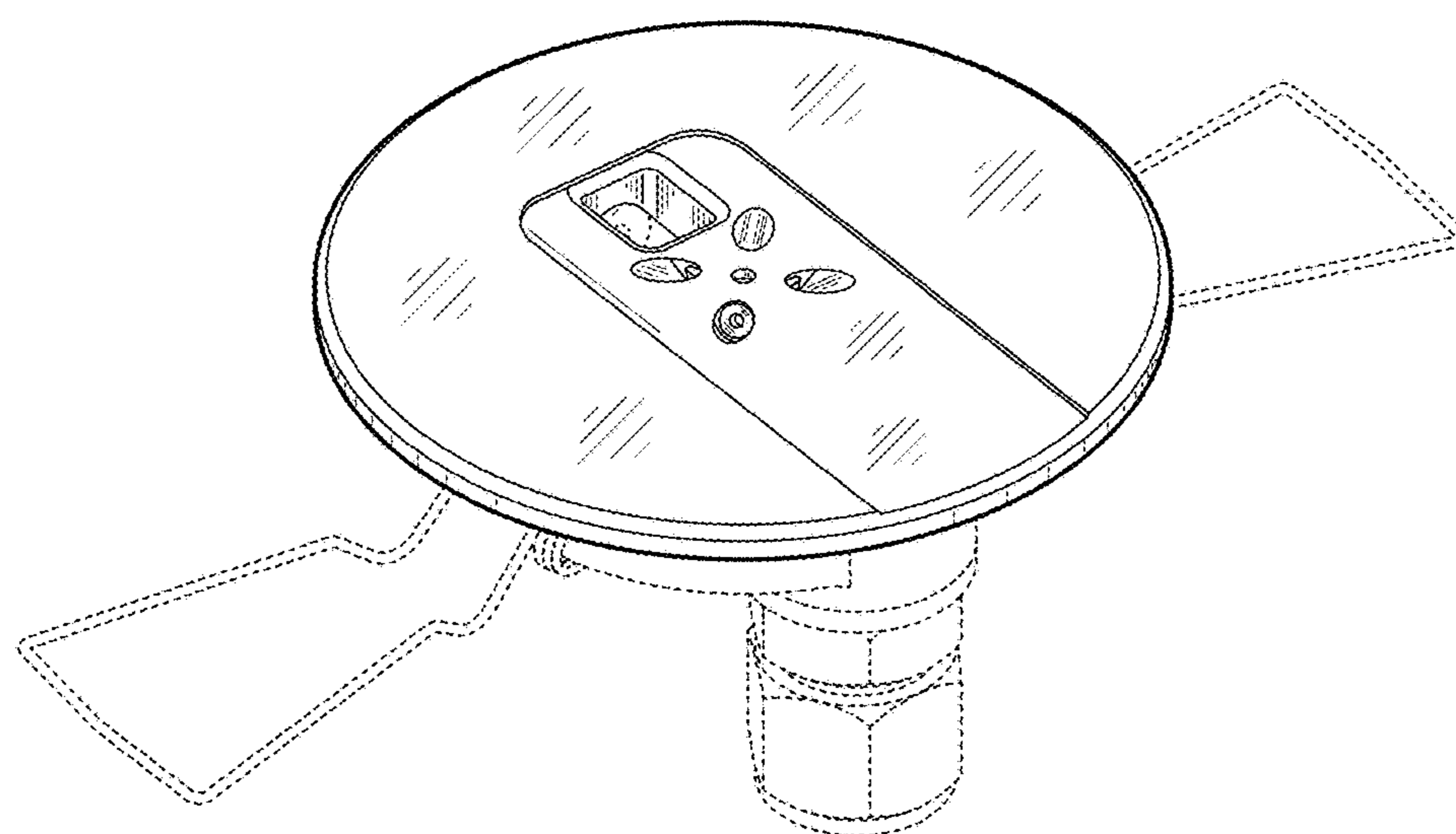


FIG. 1

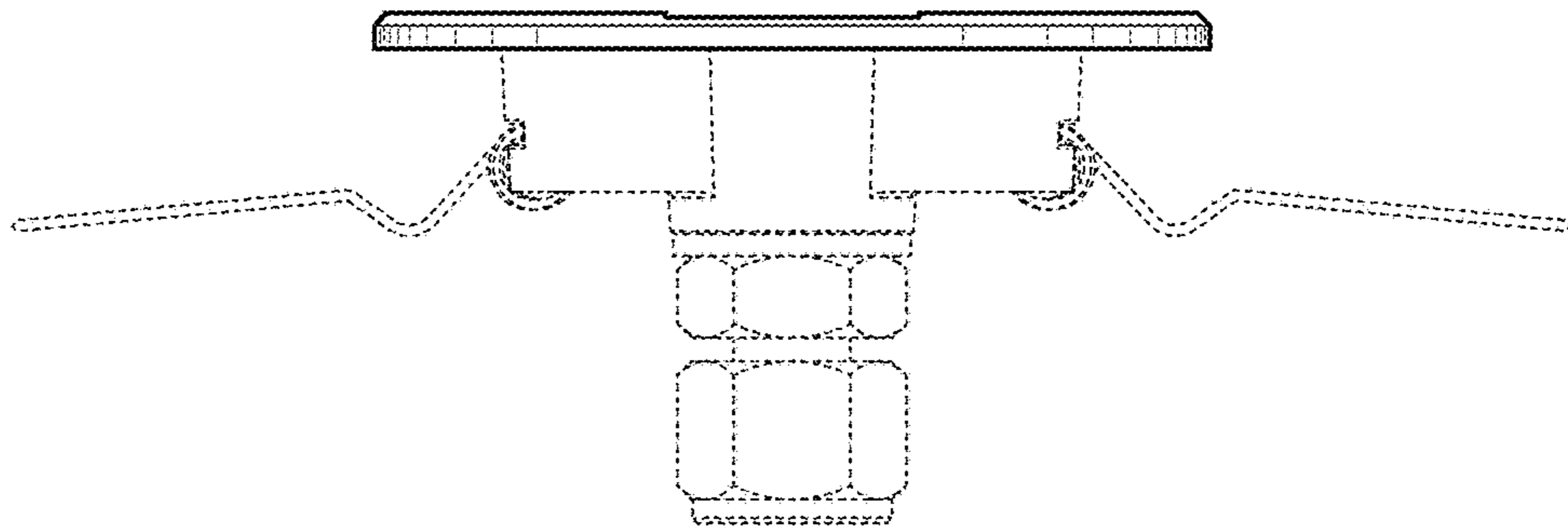


FIG. 2

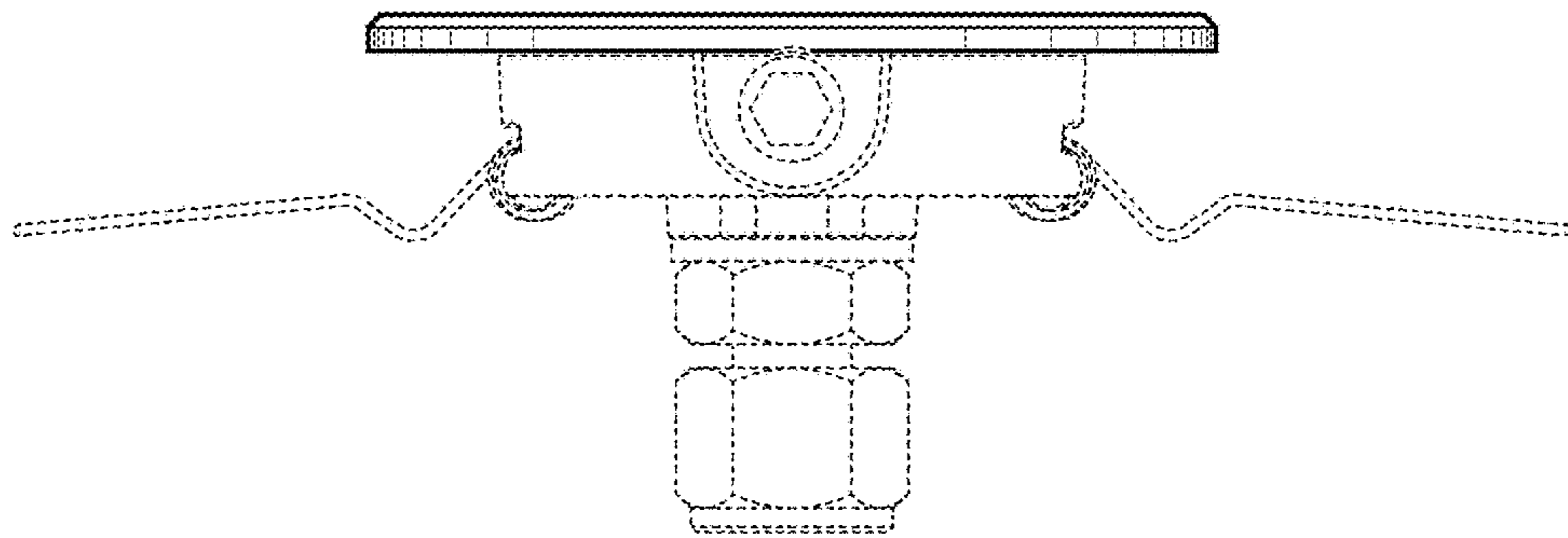


FIG. 3

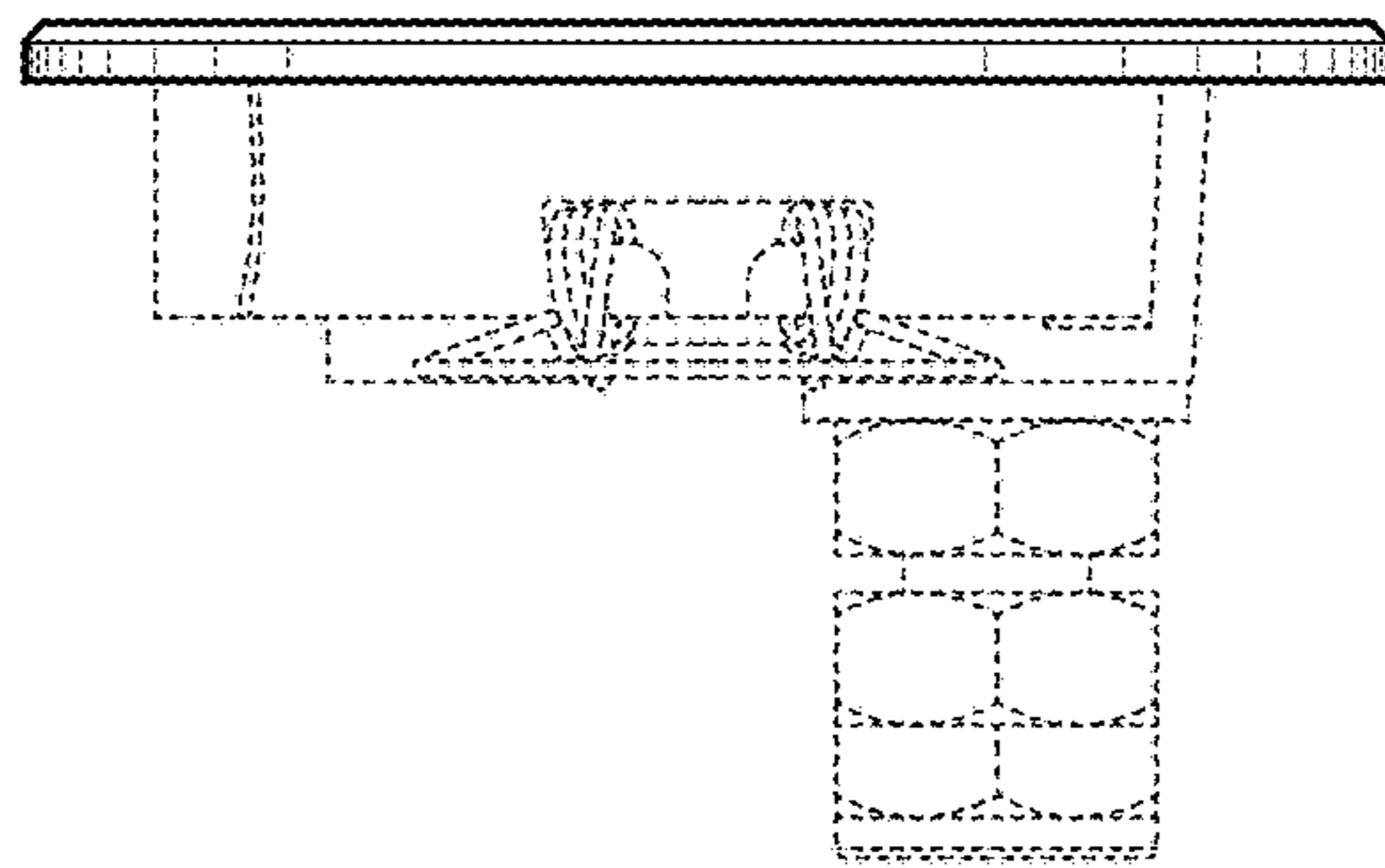


FIG. 4

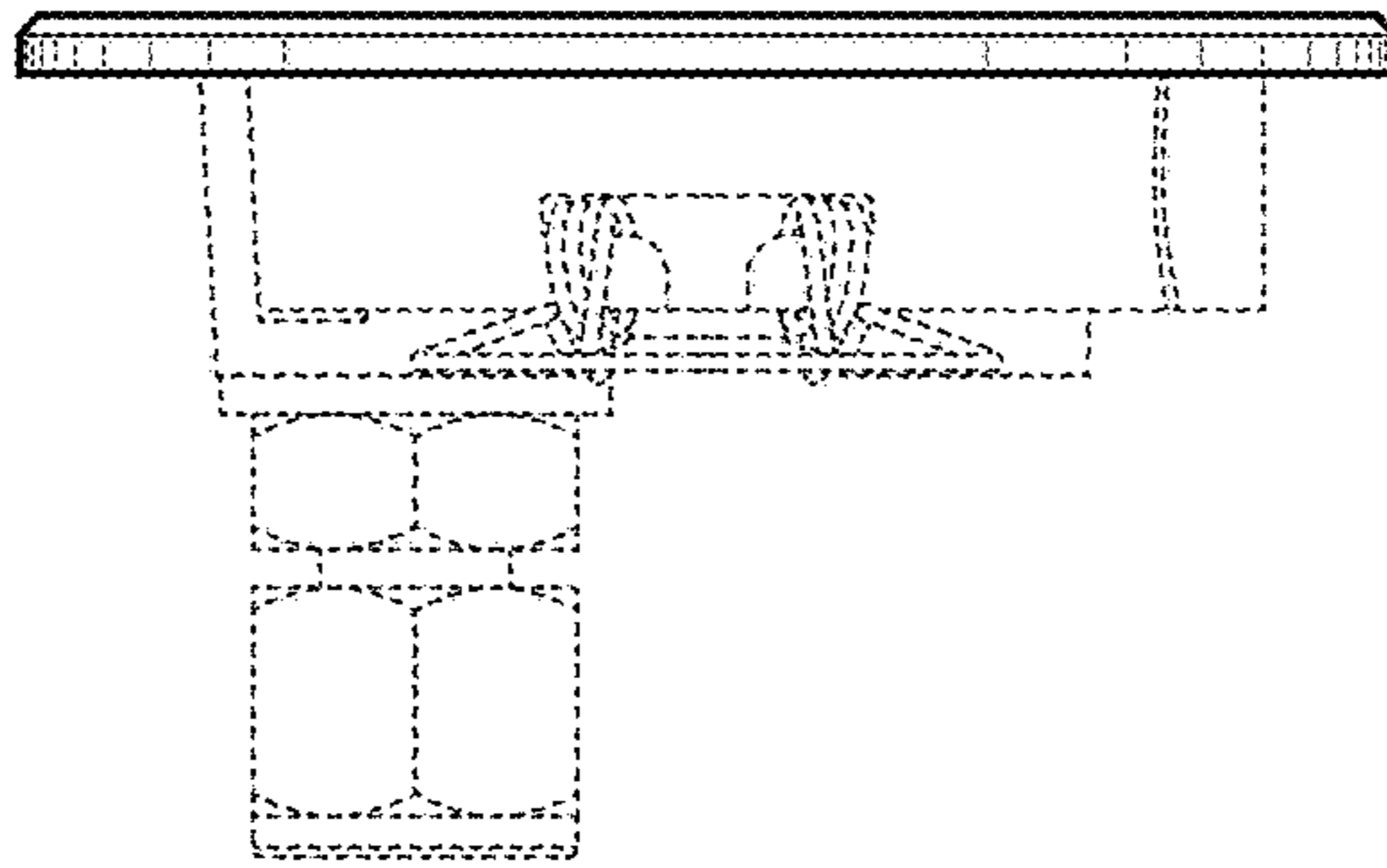


FIG. 5

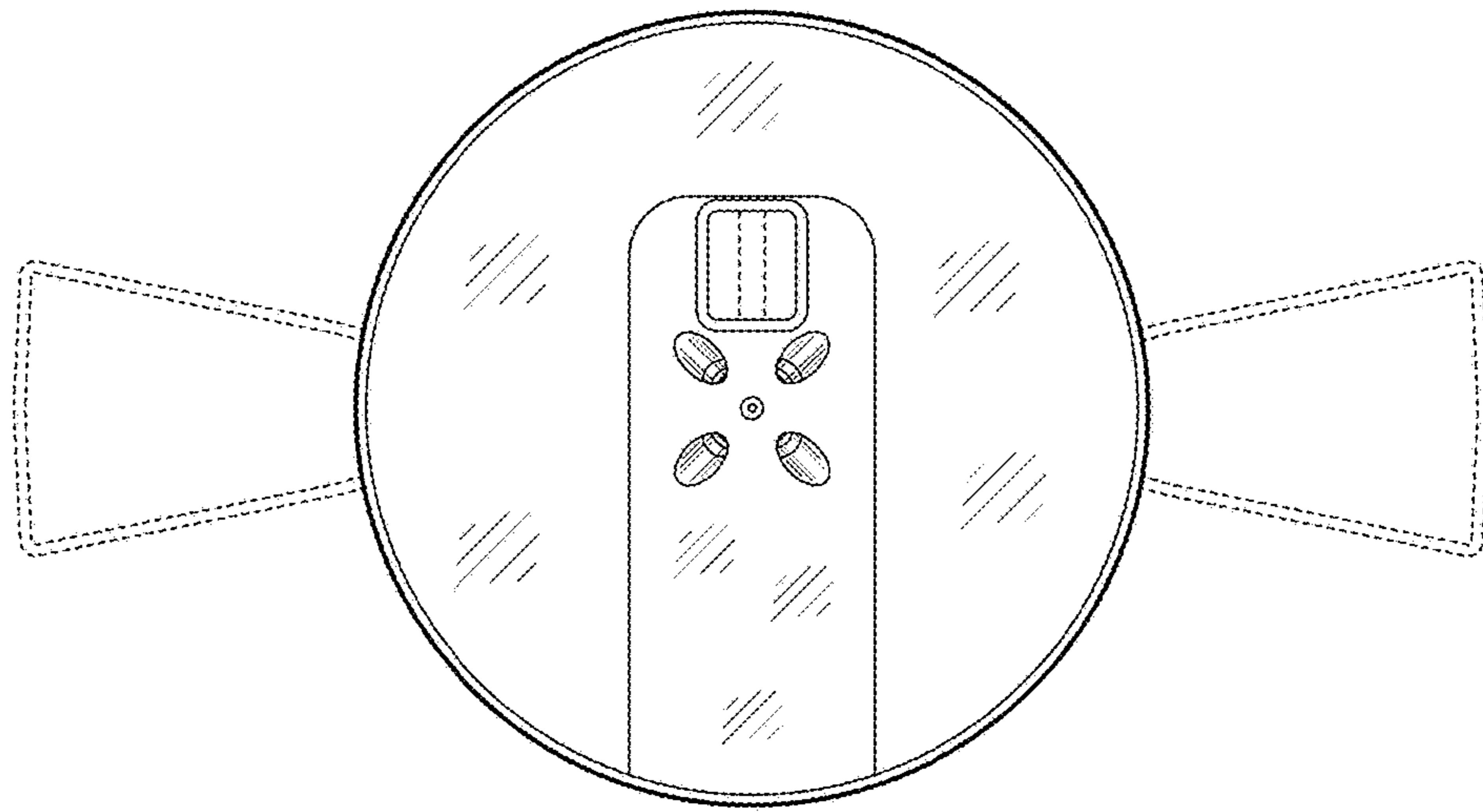


FIG. 6

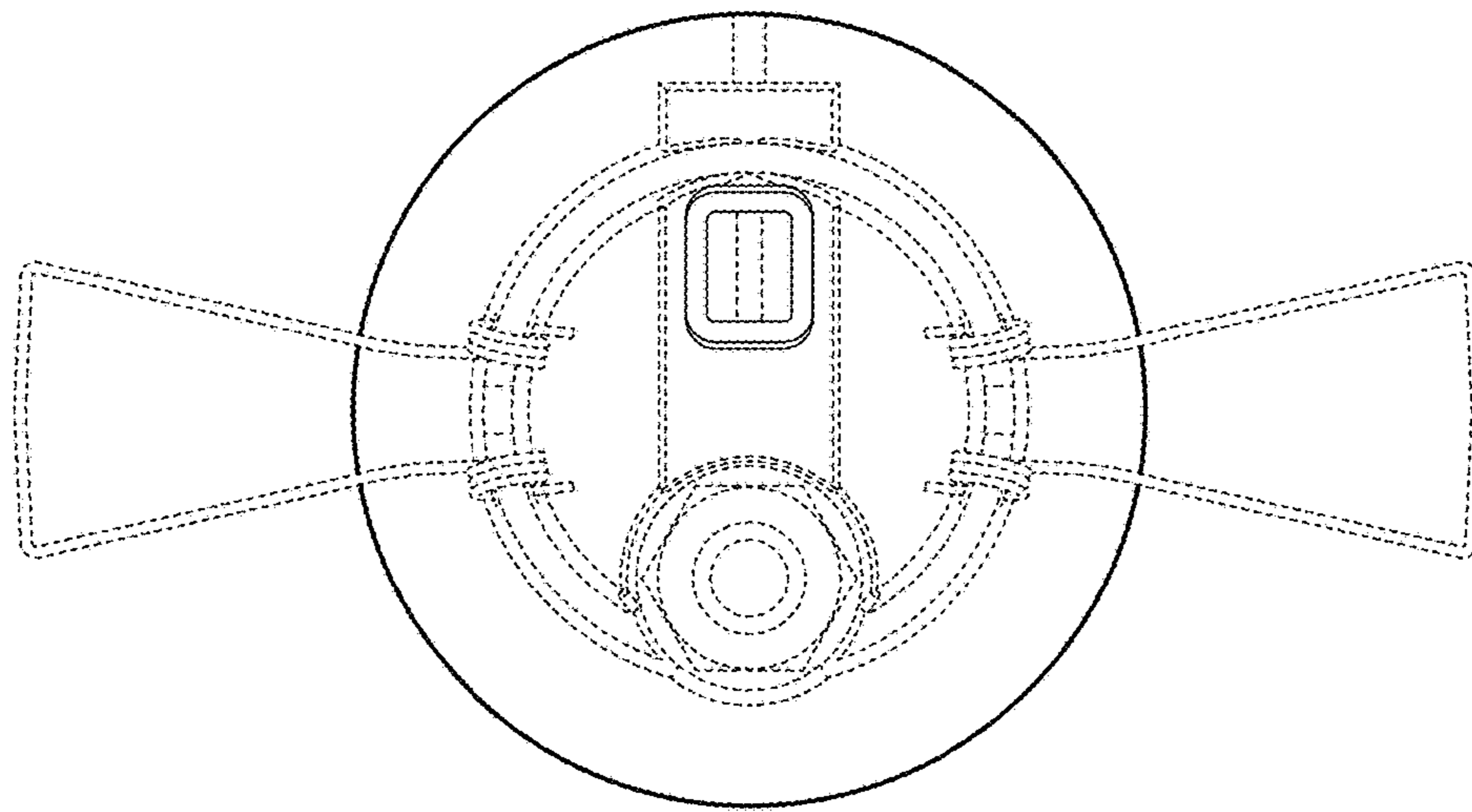


FIG. 7