



US00D863499S

(12) **United States Design Patent** (10) **Patent No.:** **US D863,499 S**  
**Tsukii** (45) **Date of Patent:** **\*\* Oct. 15, 2019**

(54) **WATER FOUNTAIN**

(71) Applicant: **Toshikazu Tsukii**, Oro Valley, AZ (US)

(72) Inventor: **Toshikazu Tsukii**, Oro Valley, AZ (US)

(\*\*) Term: **15 Years**

(21) Appl. No.: **29/686,978**

(22) Filed: **Apr. 9, 2019**

(51) **LOC (12) Cl.** ..... **23-01**

(52) **U.S. Cl.**  
USPC ..... **D23/201**

(58) **Field of Classification Search**  
USPC ..... D23/200, 201; D11/131  
CPC ... A01K 45/002; B05B 17/08; F21W 2121/02  
See application file for complete search history.

(56) **References Cited**

U.S. PATENT DOCUMENTS

D221,337 S *	8/1971	Price	.....	D23/201
D221,650 S *	8/1971	Gruber	.....	D23/201
D253,569 S *	12/1979	Gruber	.....	D23/201
6,257,560 B1 *	7/2001	Kim	.....	B01D 47/06 239/17
D808,295 S *	1/2018	Hendifar	.....	D11/131
D841,771 S *	2/2019	Tappeiner	.....	D23/201
D841,772 S *	2/2019	Tappeiner	.....	D23/201

D847,942 S *	5/2019	McPeck	.....	D23/201
D847,943 S *	5/2019	McPeck	.....	D23/201
2010/0276508 A1 *	11/2010	Davies	.....	B05B 17/08 239/18
2013/0320107 A1 *	12/2013	Yeiser, IV	.....	B05B 17/08 239/17

\* cited by examiner

*Primary Examiner* — Manpreet S Matharu

*Assistant Examiner* — Keith J Wilson

(74) *Attorney, Agent, or Firm* — Eugene Vamos

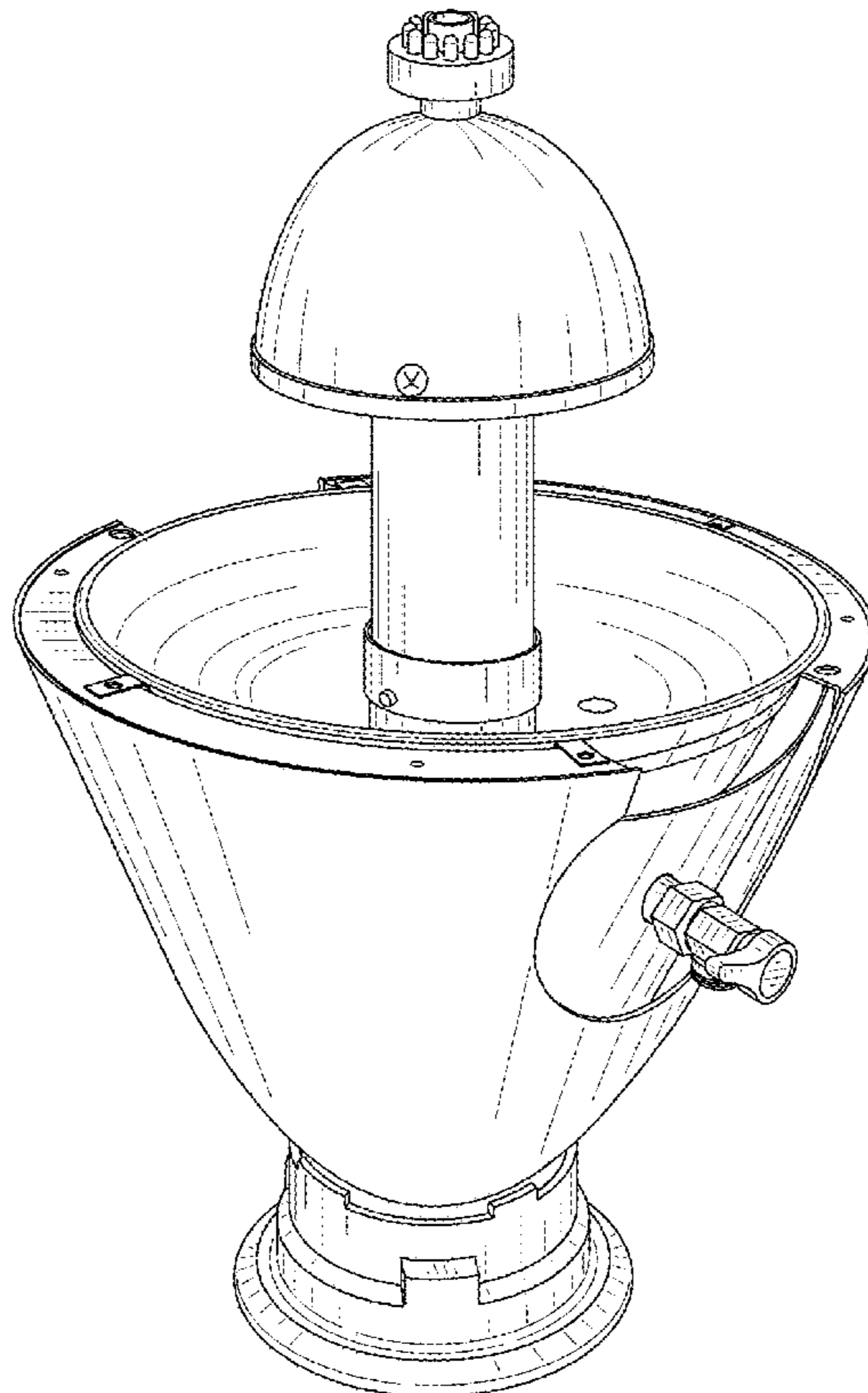
(57) **CLAIM**

The ornamental design for a water fountain, as shown and described.

**DESCRIPTION**

FIG. 1 is a front left perspective view of a water fountain, showing my new design;  
 FIG. 2 is a front elevation view thereof;  
 FIG. 3 is a back elevation view thereof;  
 FIG. 4 is a right side elevation view thereof;  
 FIG. 5 is a left side elevation view thereof;  
 FIG. 6 is a top plan view thereof; and,  
 FIG. 7 is a back right perspective view thereof.

**1 Claim, 7 Drawing Sheets**



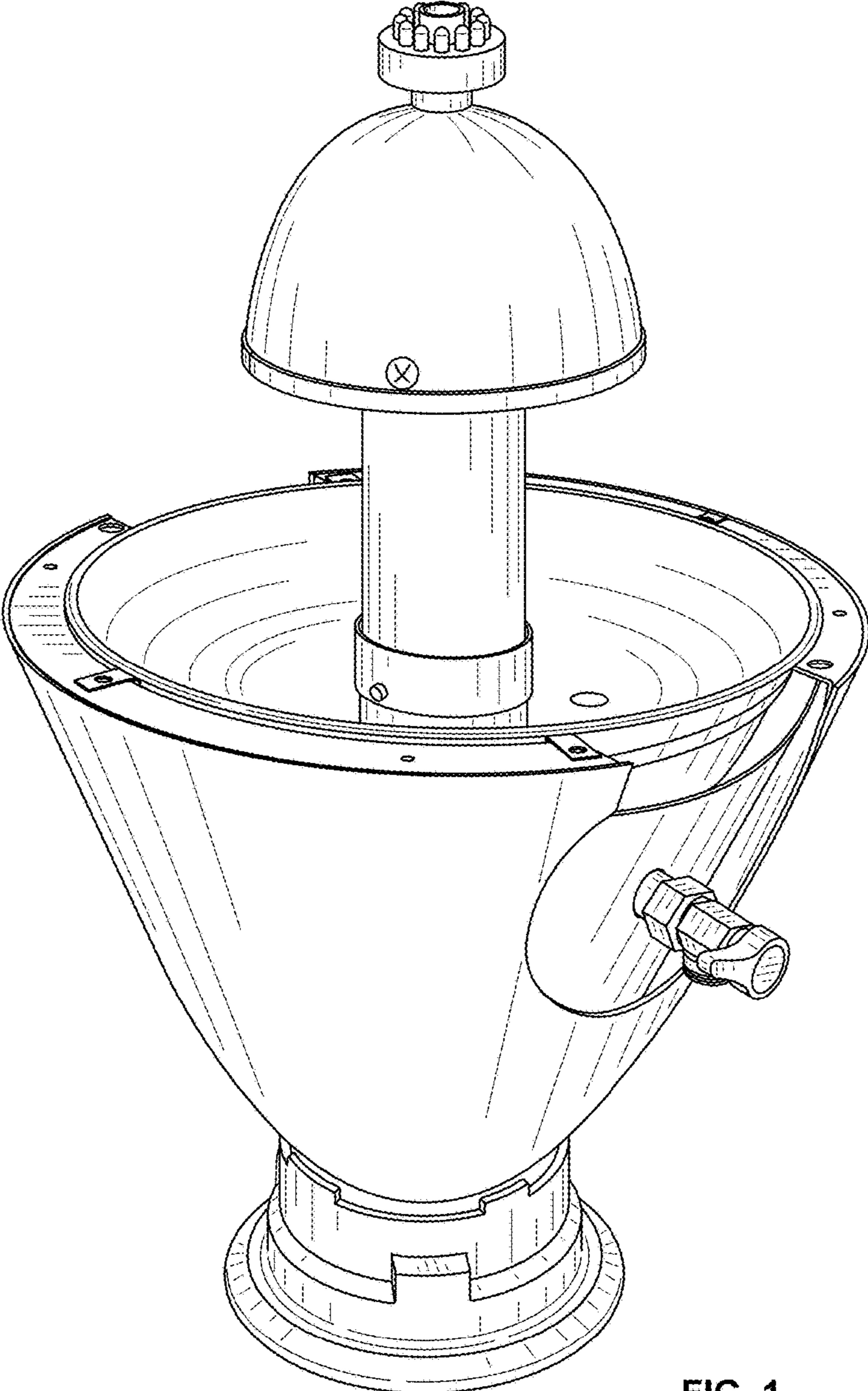


FIG. 1

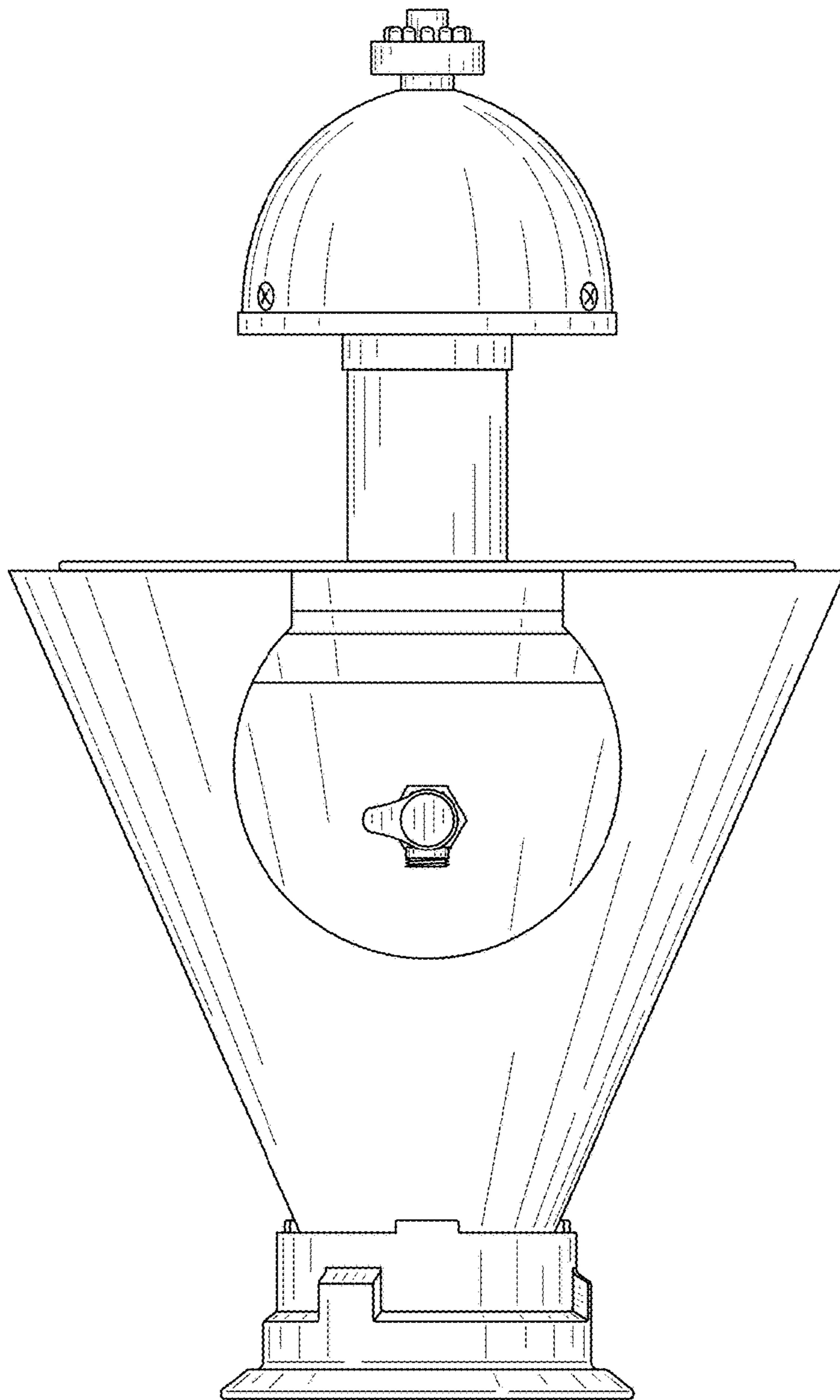


FIG. 2

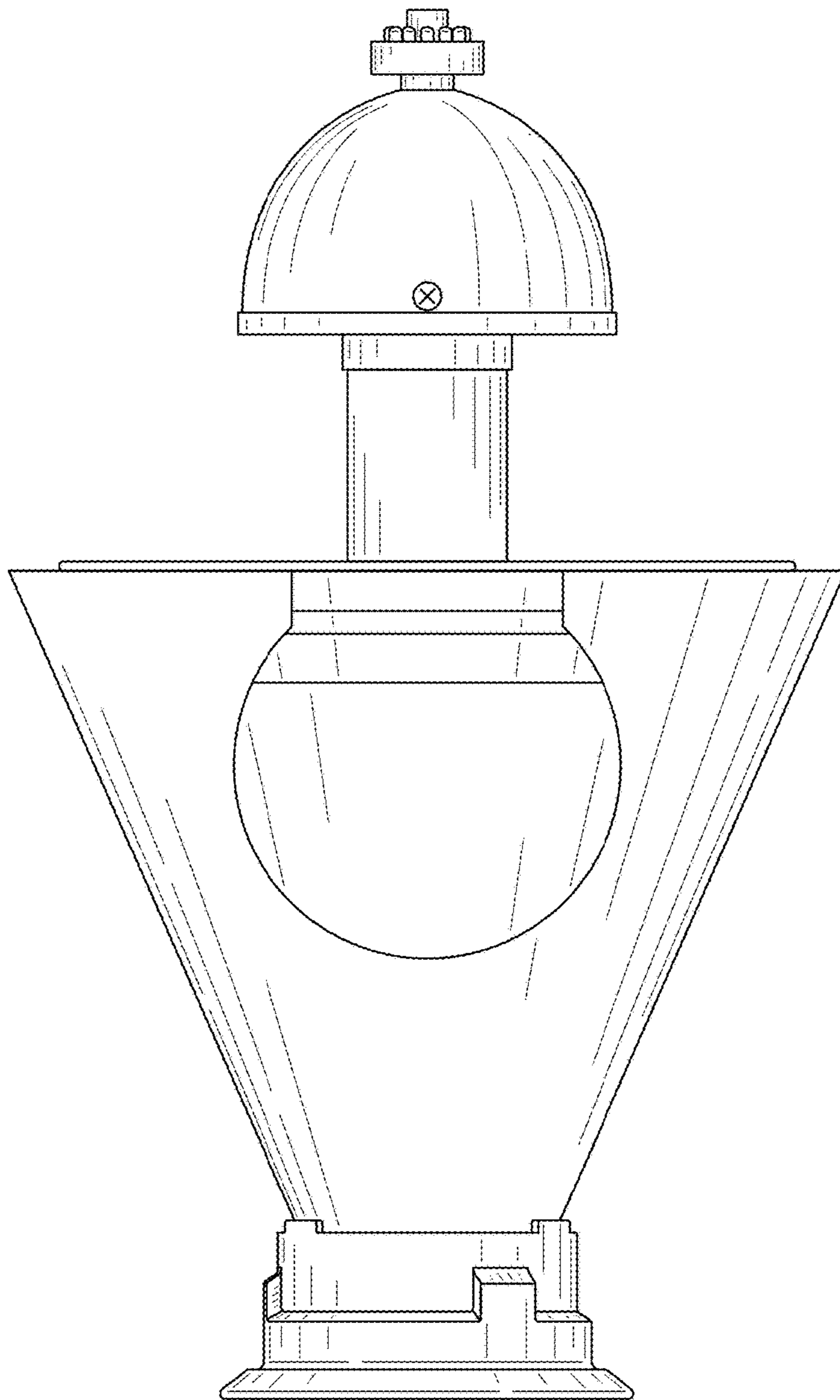


FIG. 3

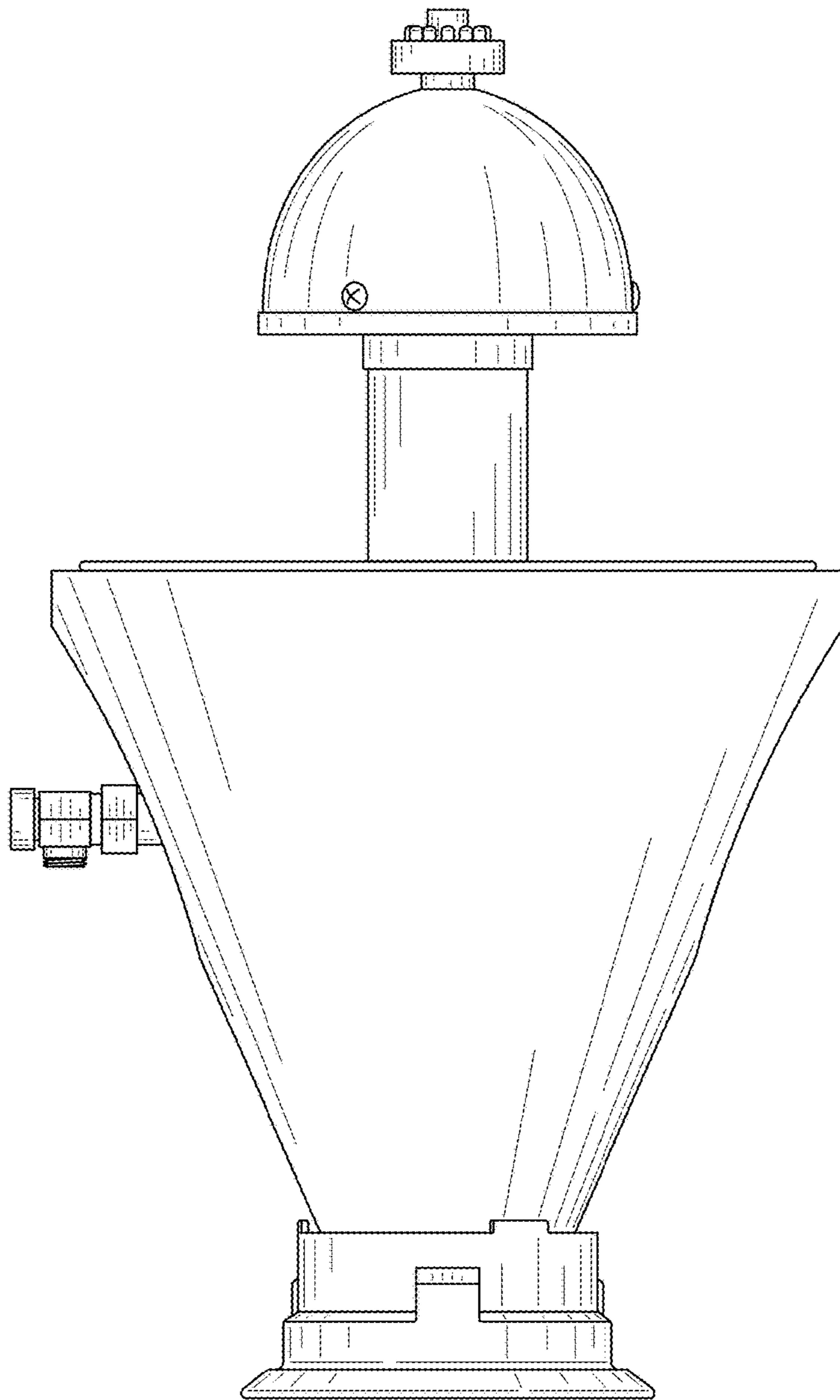


FIG. 4



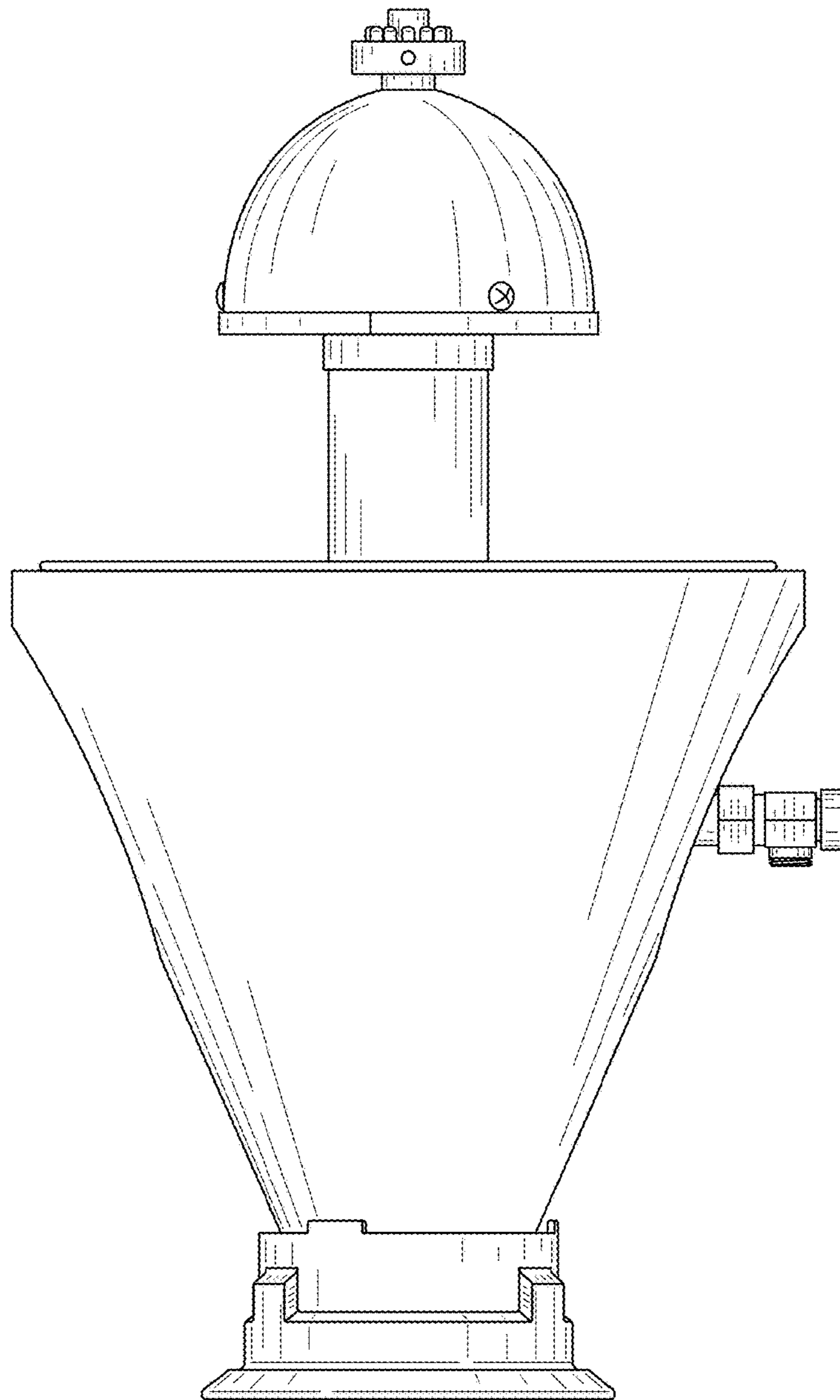


FIG. 5

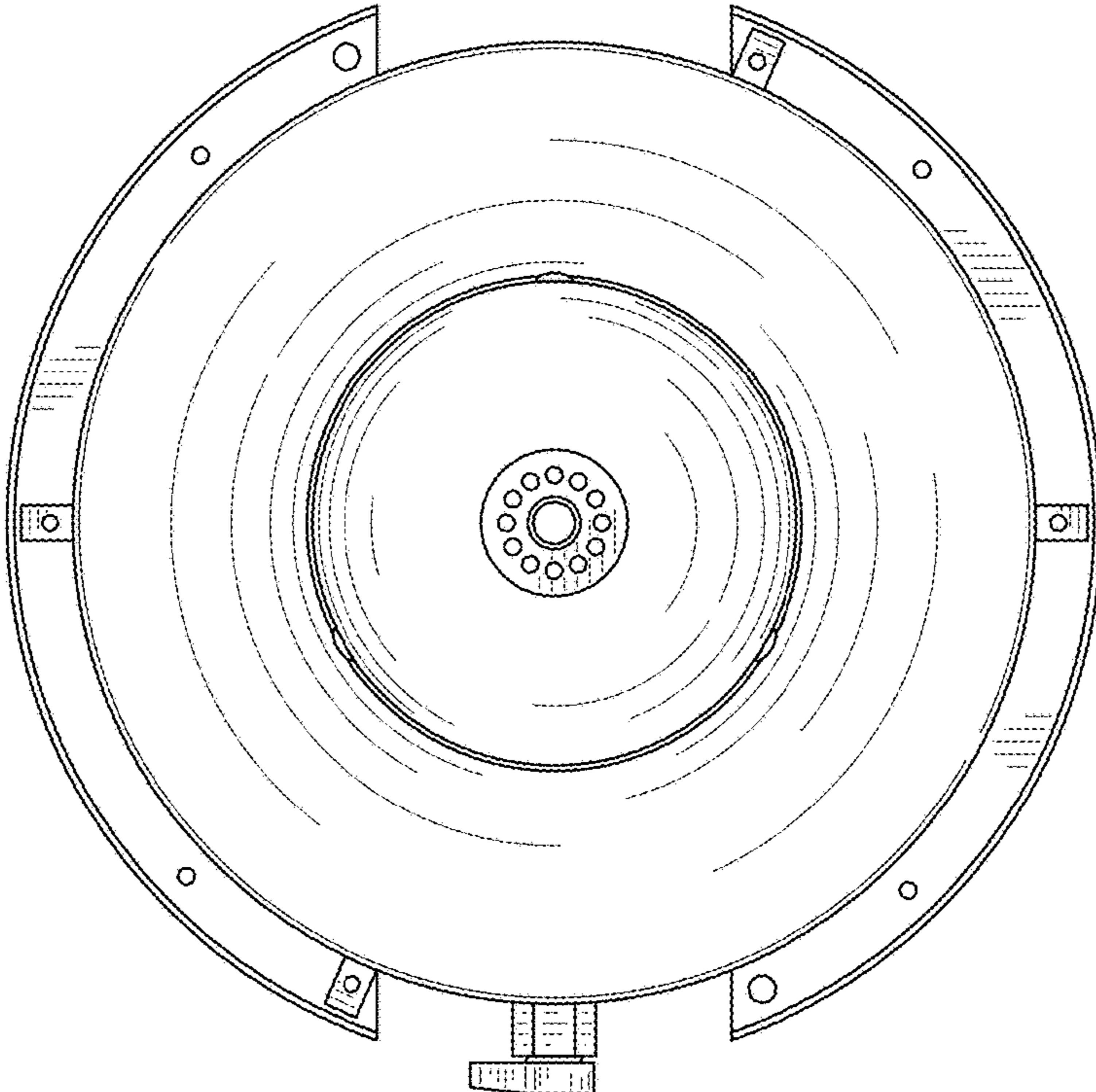


FIG. 6

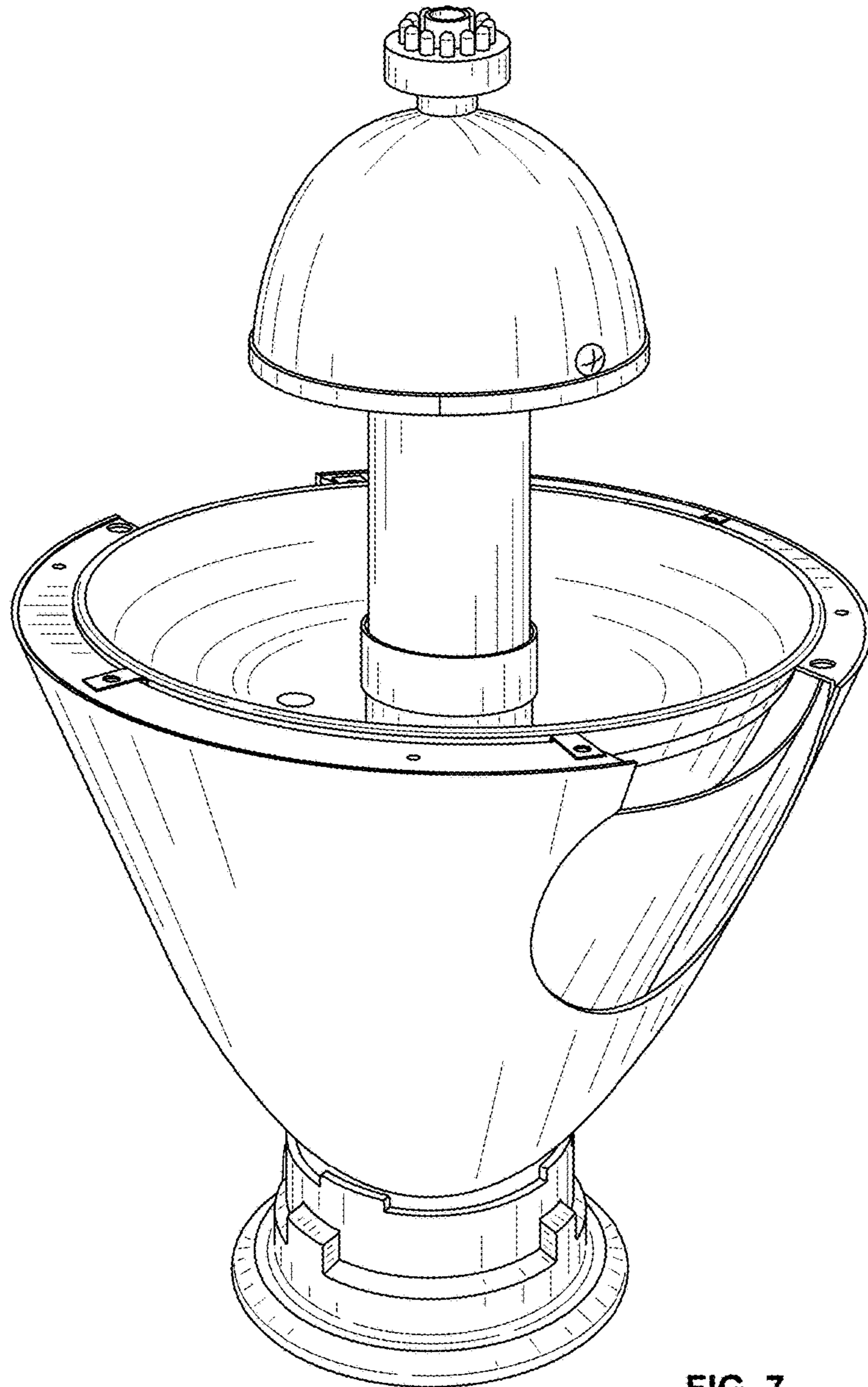


FIG. 7