



US00D863497S

(12) **United States Design Patent** (10) **Patent No.:** **US D863,497 S**
Sinur et al. (45) **Date of Patent:** **** Oct. 15, 2019**

(54) **INSECT REPELLANT FIXTURE**
(71) Applicant: **Broan-Nu Tone LLC**, Hartford, WI (US)
(72) Inventors: **Richard R. Sinur**, West Bend, WI (US); **Ryan A. Revers**, Hartland, WI (US)
(73) Assignee: **Broan-NuTone LLC**, Hartford, WI (US)
(**) Term: **15 Years**
(21) Appl. No.: **29/684,001**
(22) Filed: **Mar. 18, 2019**

Related U.S. Application Data

(62) Division of application No. 29/640,370, filed on Mar. 14, 2018, now Pat. No. Des. 851,204.
(51) **LOC (12) Cl.** **22-06**
(52) **U.S. Cl.**
USPC **D22/122**
(58) **Field of Classification Search**
USPC D22/119-124; D23/366-369; 392/395; 43/65-66, 112-114, 120-121, 131, 132.1
CPC A01M 1/04; A01M 1/22; A01M 1/2005; A01M 1/2001; A01M 1/2016; A01M 1/223; A01M 29/12; A01M 25/002; A01M 25/004; A01M 2200/011; A01M 2200/012; F16M 13/02; E04B 1/17
See application file for complete search history.

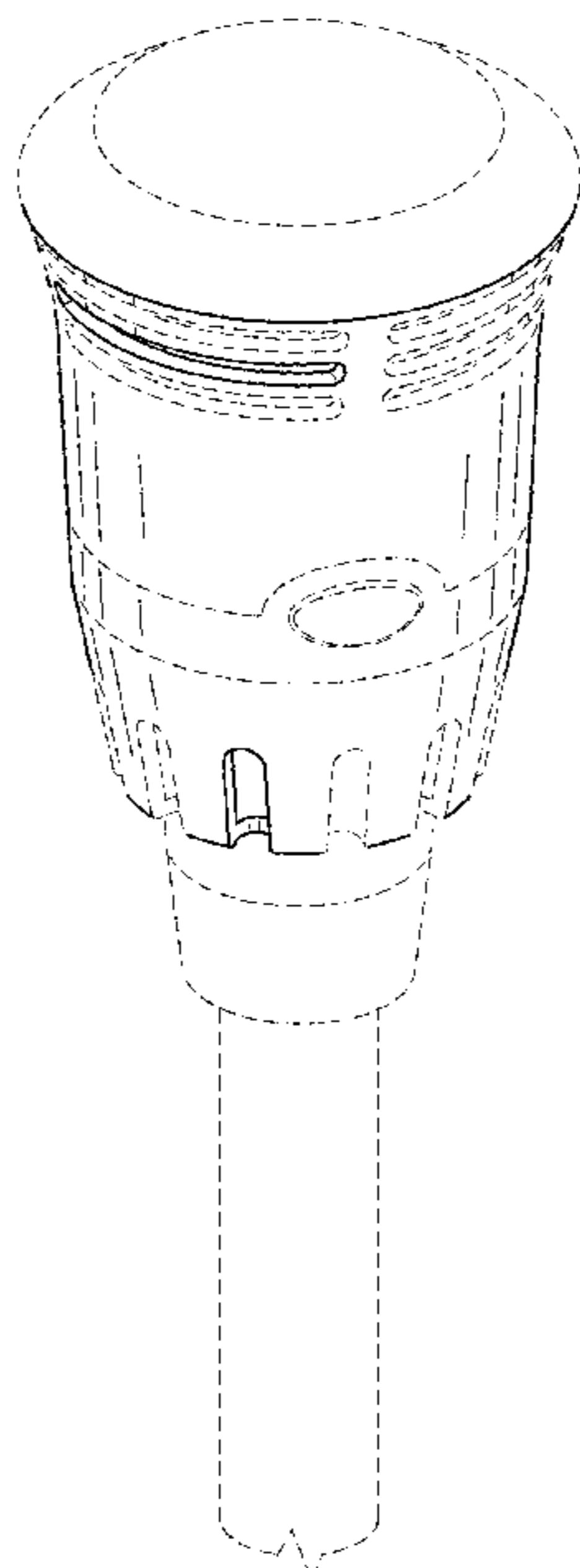
(56) **References Cited**
U.S. PATENT DOCUMENTS
D354,690 S * 1/1995 Butler D22/119
5,379,545 A * 1/1995 Gall A01M 29/12
43/131
* cited by examiner
Primary Examiner — Catherine R Oliver-Garcia
(74) *Attorney, Agent, or Firm* — Barnes & Thornburg LLP

(57) **CLAIM**
We claim the design for an insect repellent fixture, as shown and described.

DESCRIPTION

FIG. 1 is a first perspective view of an insect repellent fixture;
FIG. 2 is a second perspective view of the insect repellent fixture of FIG. 1;
FIG. 3 is a front view of the insect repellent fixture of FIG. 1;
FIG. 4 is a left side view of the insect repellent fixture of FIG. 1;
FIG. 5 is a rear view of the insect repellent fixture of FIG. 1;
FIG. 6 is a right side view of the insect repellent fixture of FIG. 1;
FIG. 7 is a top view of the insect repellent fixture of FIG. 1; and,
FIG. 8 is a bottom view of the insect repellent fixture of FIG. 1.
Features shown in broken lines in the drawings depict environmental subject matter only and are not part of the claimed design.

1 Claim, 5 Drawing Sheets



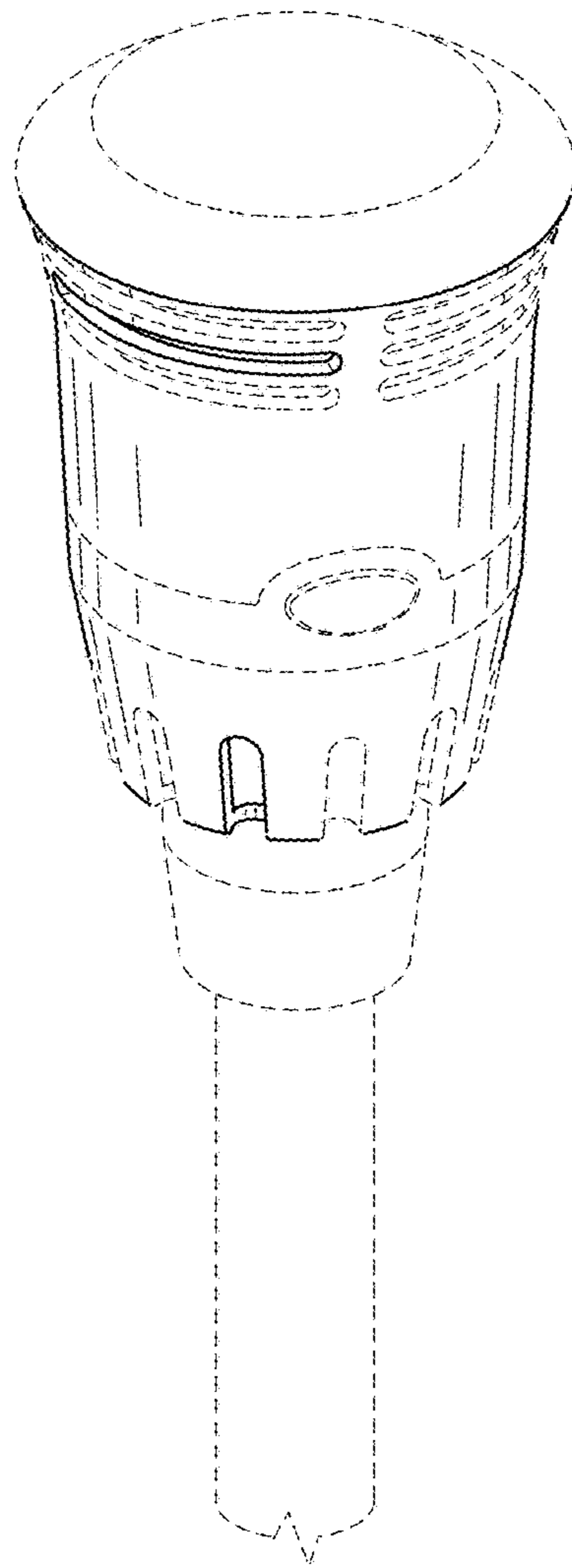


FIG.1

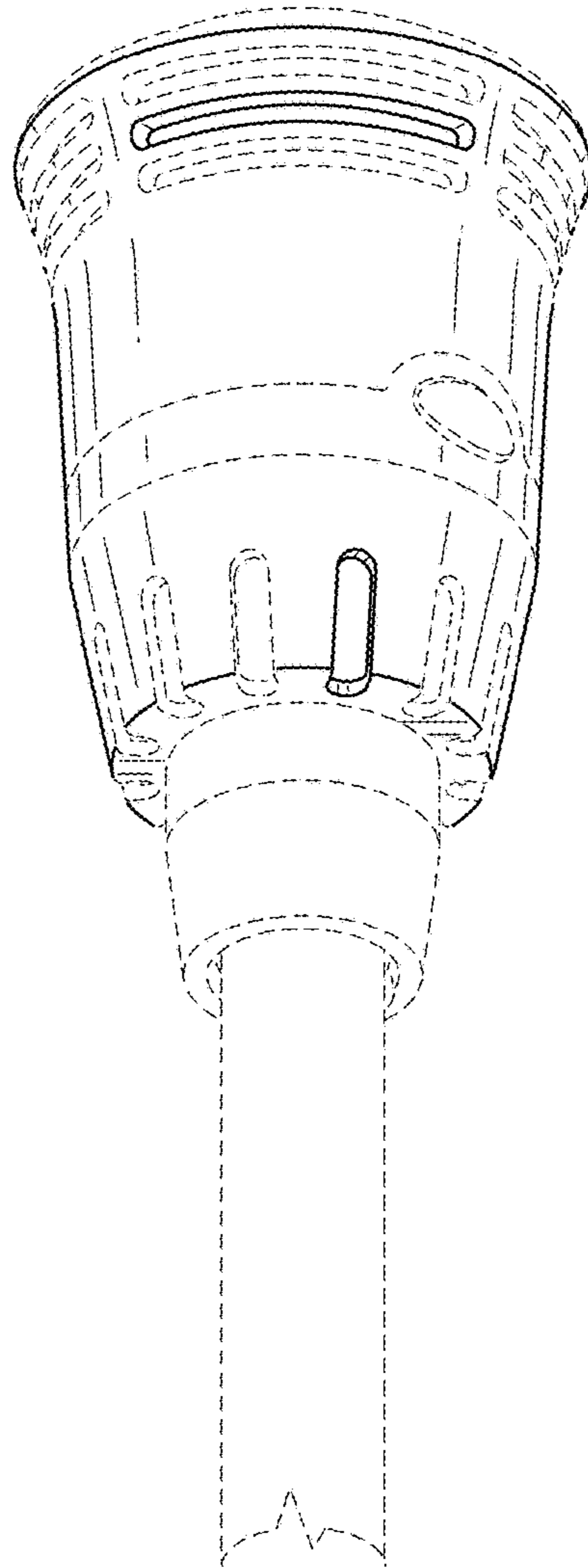


FIG.2

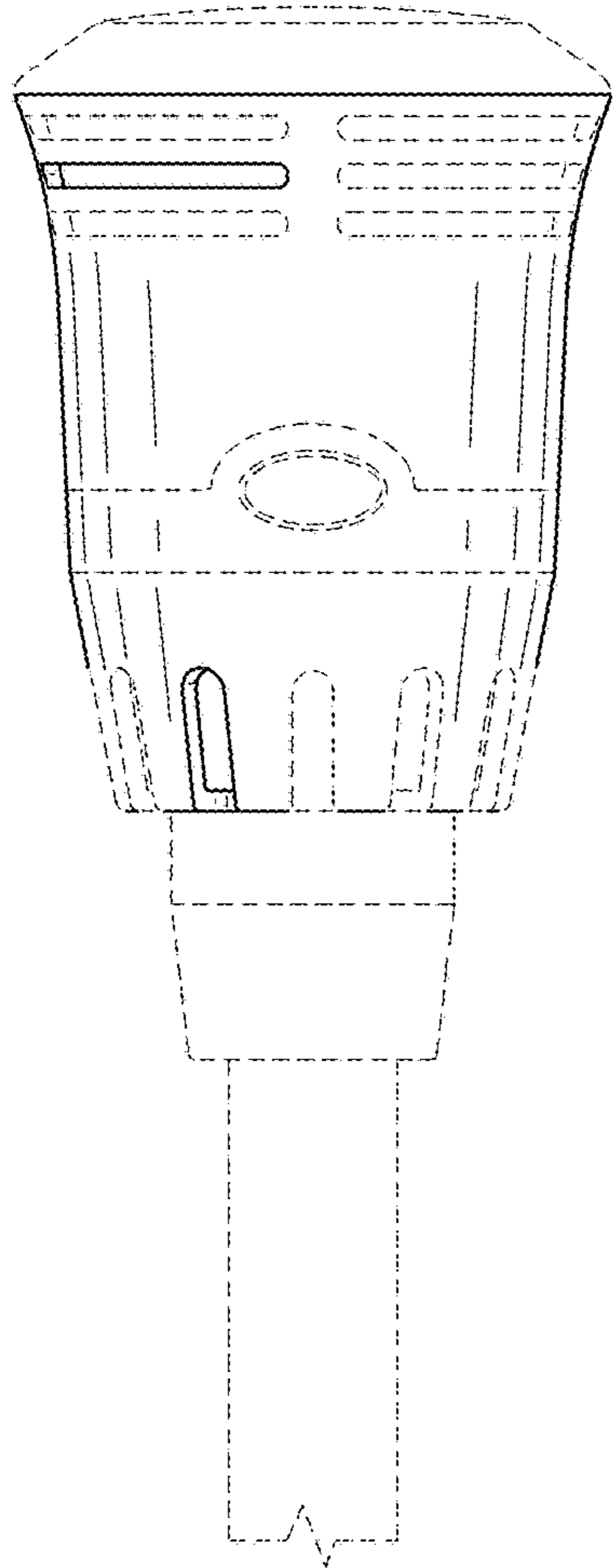


FIG.3

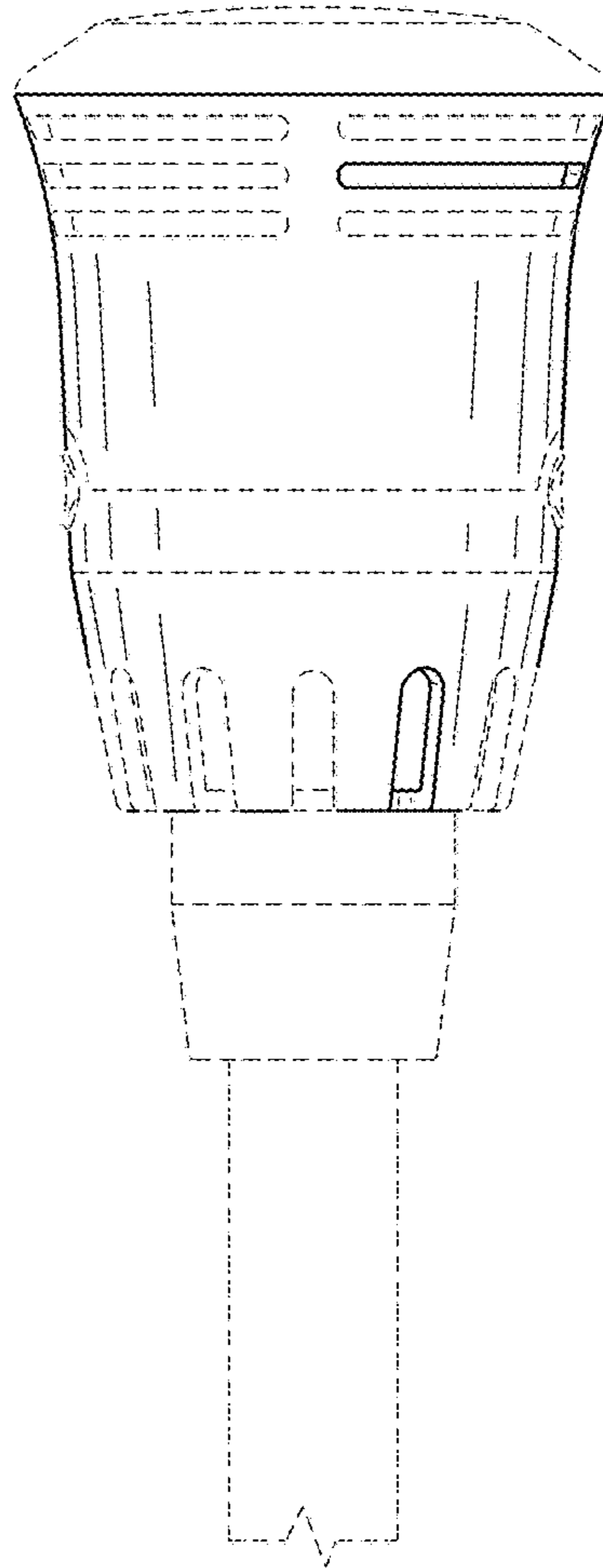


FIG.4

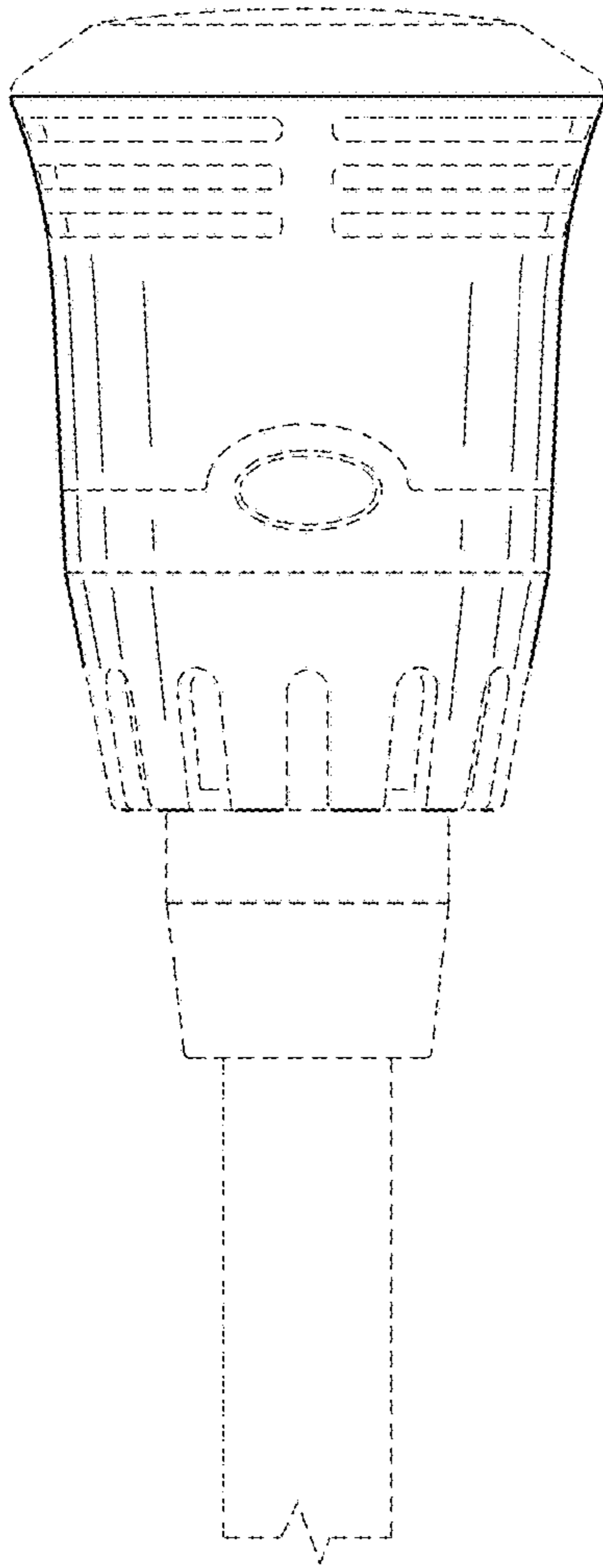


FIG. 5

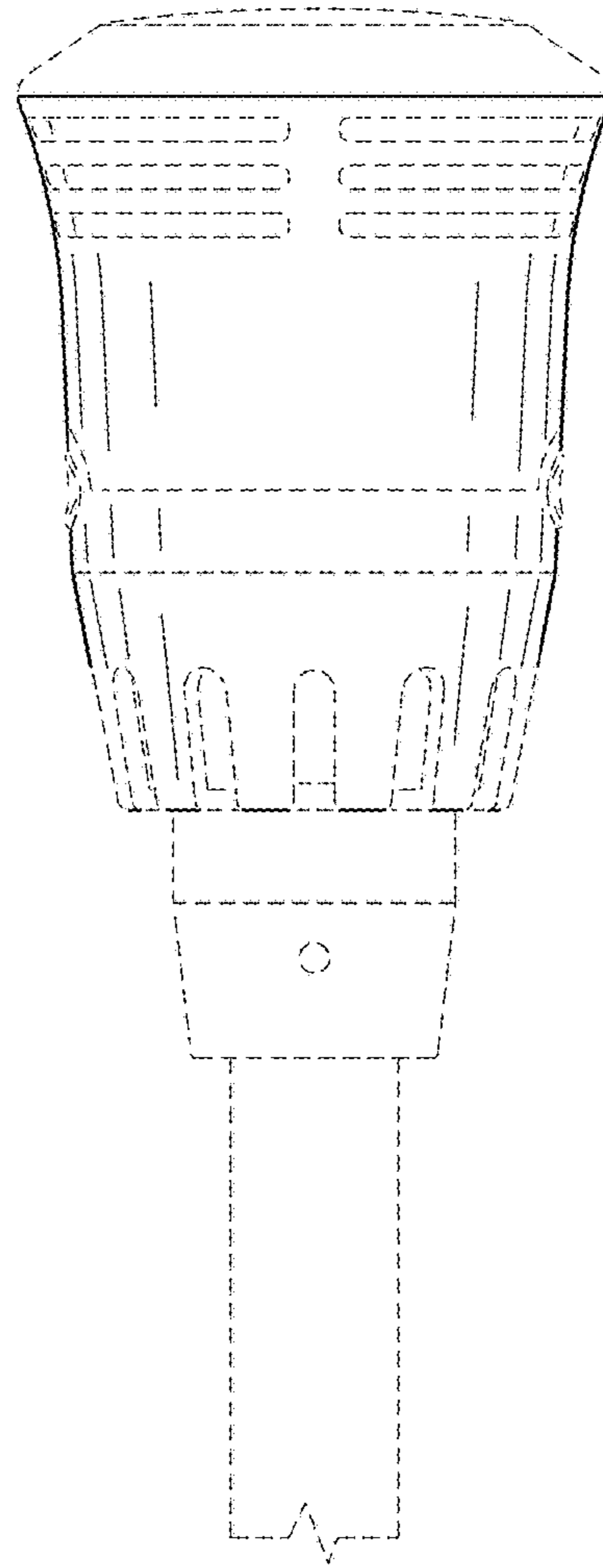


FIG. 6

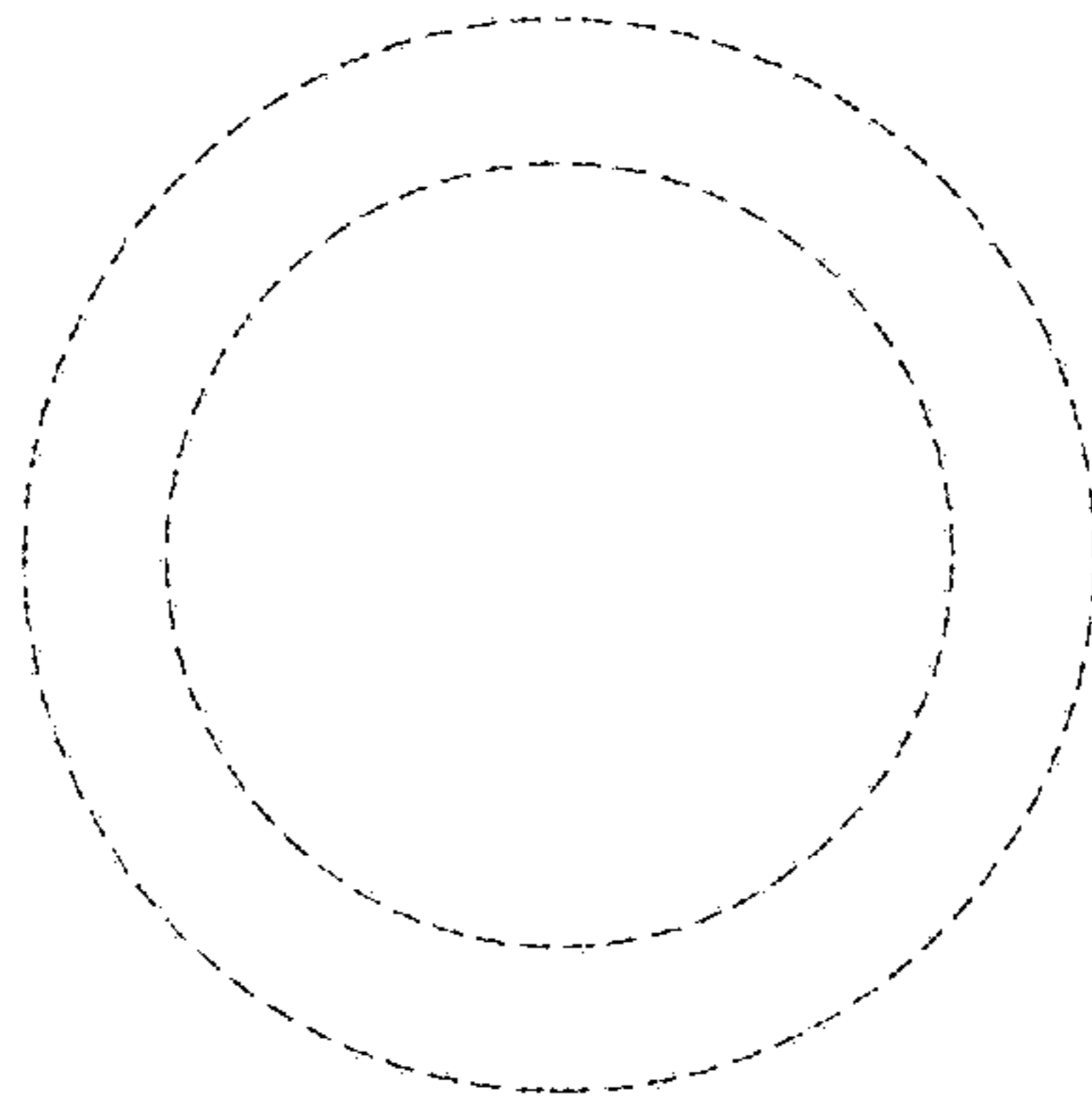


FIG. 7

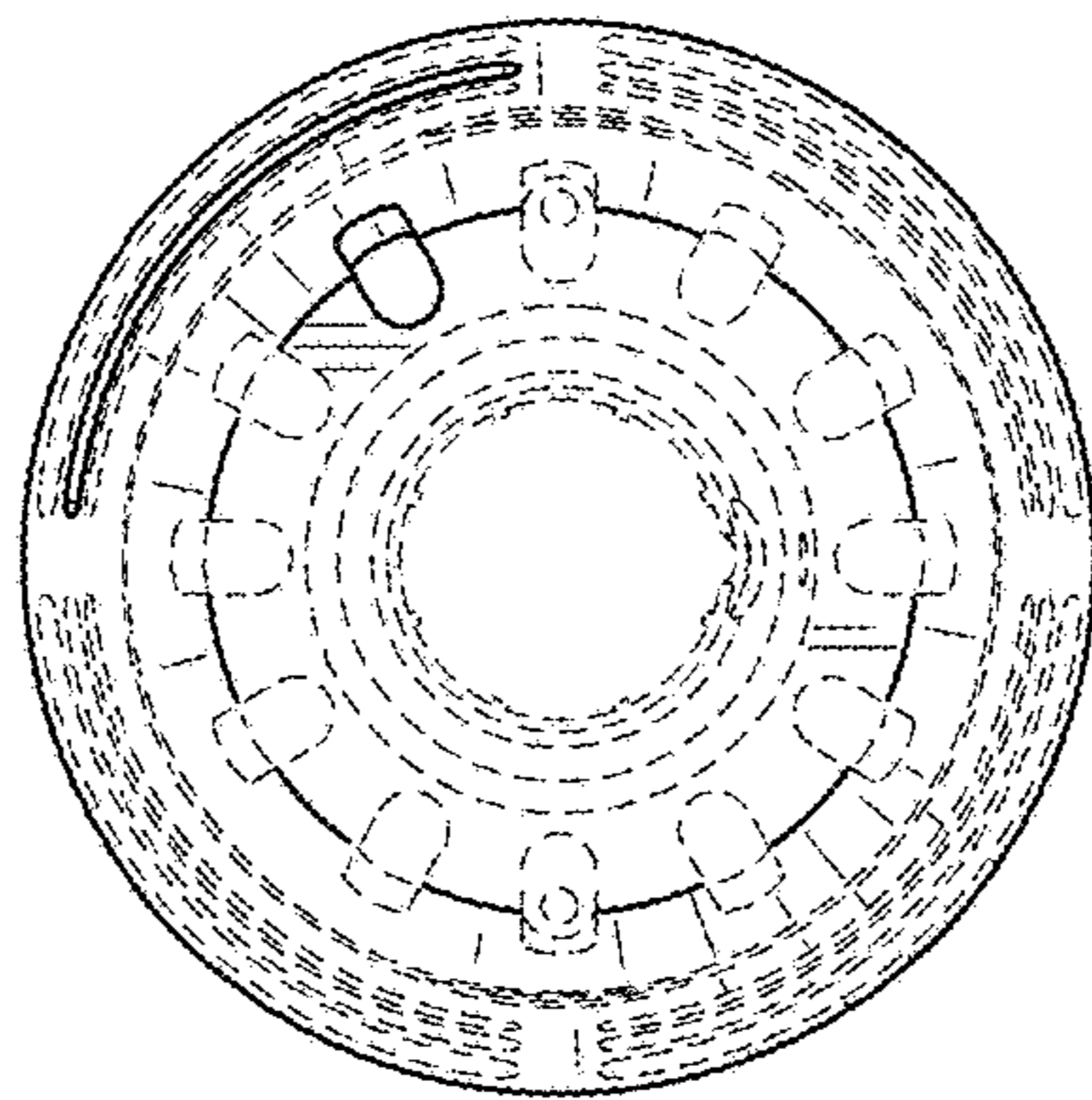


FIG. 8