



US00D863495S

(12) **United States Design Patent** (10) **Patent No.:** **US D863,495 S**  
**Rowley** (45) **Date of Patent:** **\*\* \*Oct. 15, 2019**

(54) **BEE TRAP**

**DESCRIPTION**

- (71) Applicant: **SERVUS OF SOUTH CAROLINA, INC.**, Clover, SC (US)
- (72) Inventor: **John Rowley**, Clover, SC (US)
- (\*) Notice: This patent is subject to a terminal disclaimer.
- (\*\*) Term: **15 Years**
- (21) Appl. No.: **29/591,221**
- (22) Filed: **Jan. 18, 2017**
- (51) **LOC (12) Cl.** ..... **22-06**
- (52) **U.S. Cl.**  
USPC ..... **D22/122**
- (58) **Field of Classification Search**  
USPC ..... D22/119-124; 43/107, 112, 122,  
43/133-134; 514/65; D30/110; 220/6,  
220/690; 449/19

(Continued)

(56) **References Cited**

U.S. PATENT DOCUMENTS

- 1,371,318 A \* 3/1921 McMonigal ..... A01K 57/00  
43/107
  - D347,676 S \* 6/1994 Van Wallendael ..... D22/119
- (Continued)

OTHER PUBLICATIONS

Amazon.com, One of the Best Carpenter Bee Traps by Mac's LLC (Patent No. RE46,421) (Year: 2018).\*

Best Bee Brothers.com, Best Carpenter Bee Trap (Year: 2018).\*

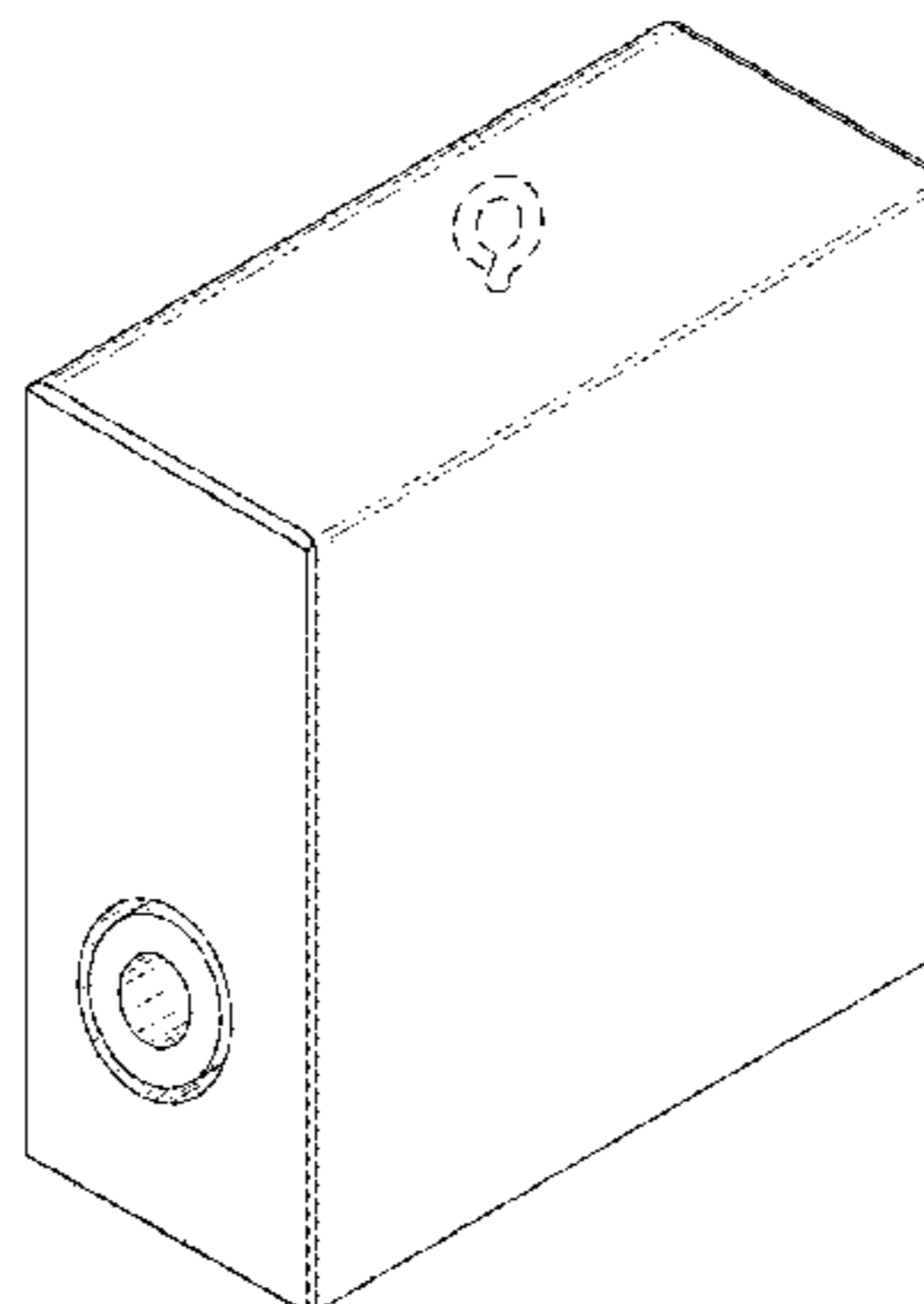
*Primary Examiner* — Catherine R Oliver-Garcia  
 (74) *Attorney, Agent, or Firm* — Tillman Wright, PLLC;  
 Chad D. Tillman; Jeremy C. Doerre

(57) **CLAIM**

The ornamental design for a bee trap, as shown and described.

FIG. 1 is a perspective view of a bee trap in accordance with a first preferred embodiment of the present invention. FIG. 2 is a front view of the bee trap of FIG. 1. FIG. 3 is a left side view of the bee trap of FIG. 1. FIG. 4 is a right side view of the bee trap of FIG. 1. FIG. 5 is a top view of the bee trap of FIG. 1. FIG. 6 is a bottom view of the bee trap of FIG. 1. FIG. 7 is a rear view of the bee trap of FIG. 1. FIG. 8 is a front, environmental view of the bee trap of FIG. 1 shown with two bottles secured thereto. FIG. 9 is a left side view of a bee trap in accordance with a second preferred embodiment of the present invention, which is identical to the first preferred embodiment except for the illustrated differences. FIG. 10 is a right side view of the bee trap of FIG. 9. FIG. 11 is a left side view of a bee trap in accordance with a third preferred embodiment of the present invention, which is identical to the first preferred embodiment except for the illustrated differences. FIG. 12 is a right side view of the bee trap of FIG. 11. FIG. 13 is a front, environmental view of the bee trap of FIG. 11 shown with one bottle secured thereto. FIG. 14 is a front view of a bee trap in accordance with a fourth preferred embodiment of the present invention, which is similar to the first preferred embodiment but has a generally trapezoidal front profile rather than a generally rectangular front profile. FIG. 15 is a left side view of the bee trap of FIG. 14. FIG. 16 is a right side view of the bee trap of FIG. 14. FIG. 17 is a top view of the bee trap of FIG. 14. FIG. 18 is a bottom view of the bee trap of FIG. 14. FIG. 19 is a rear view of the bee trap of FIG. 14. FIG. 20 is a front, environmental view of the bee trap of FIG. 14 shown with two bottles secured thereto. FIG. 21 is a left side view of a bee trap in accordance with a fifth preferred embodiment of the present invention, which is identical to the fourth preferred embodiment except for the illustrated differences. FIG. 22 is a right side view of the bee trap of FIG. 21. FIG. 23 is a left side view of a bee trap in accordance with a sixth preferred embodiment of the present invention,

(Continued)



which is identical to the third preferred embodiment except for the illustrated differences.

FIG. 24 is a right side view of the bee trap of FIG. 23; and, FIG. 25 is a front, environmental view of the bee trap of FIG. 23 shown with one bottle secured thereto.

The broken lines depict environmental structure and are for illustrative purposes only and form no part of the claimed design.

**1 Claim, 17 Drawing Sheets**

(58) **Field of Classification Search**

CPC ..... A01K 57/00; A01M 1/02; A01M 1/04;  
A01M 1/06; A01M 1/20; A01M 1/223

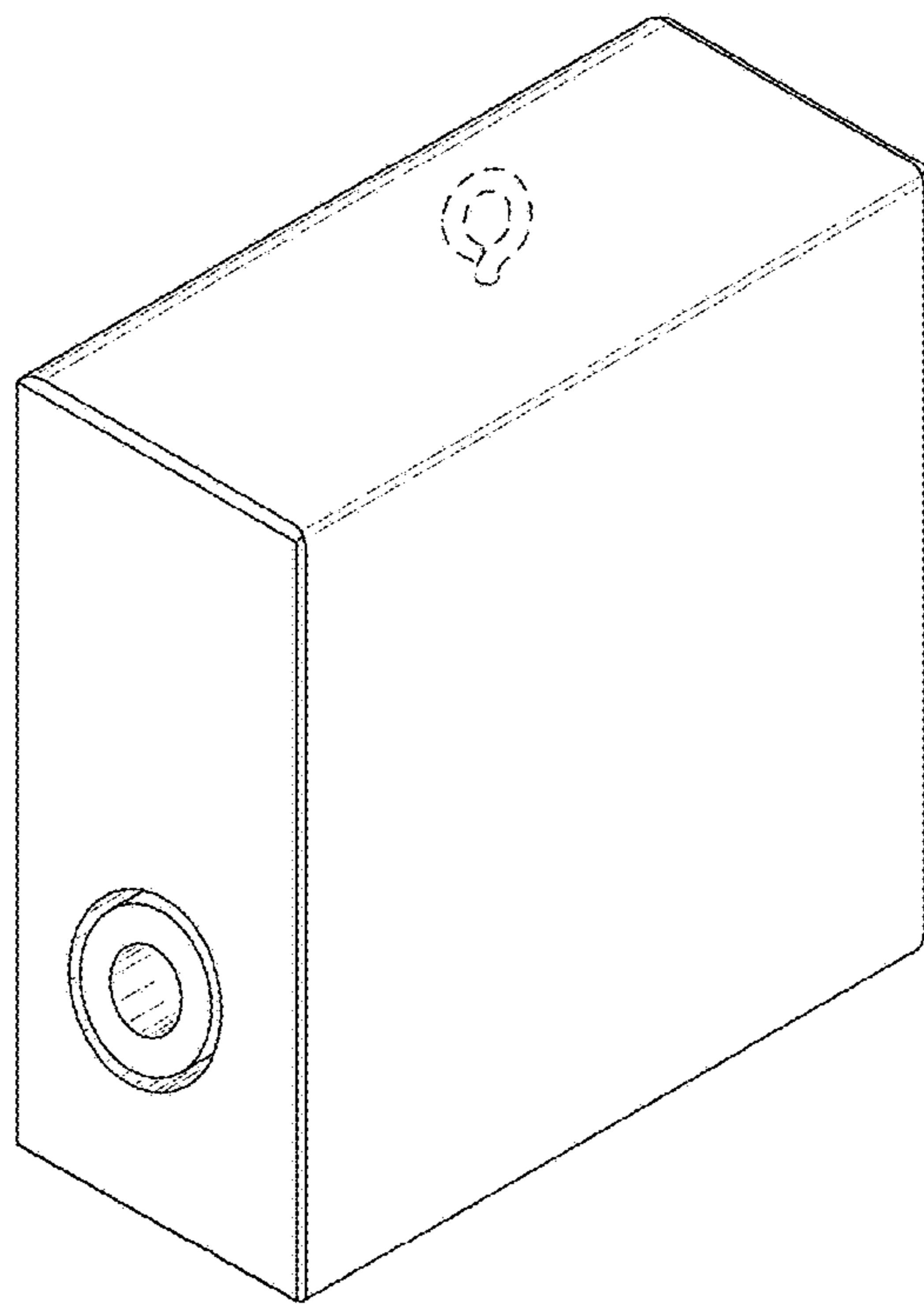
See application file for complete search history.

(56) **References Cited**

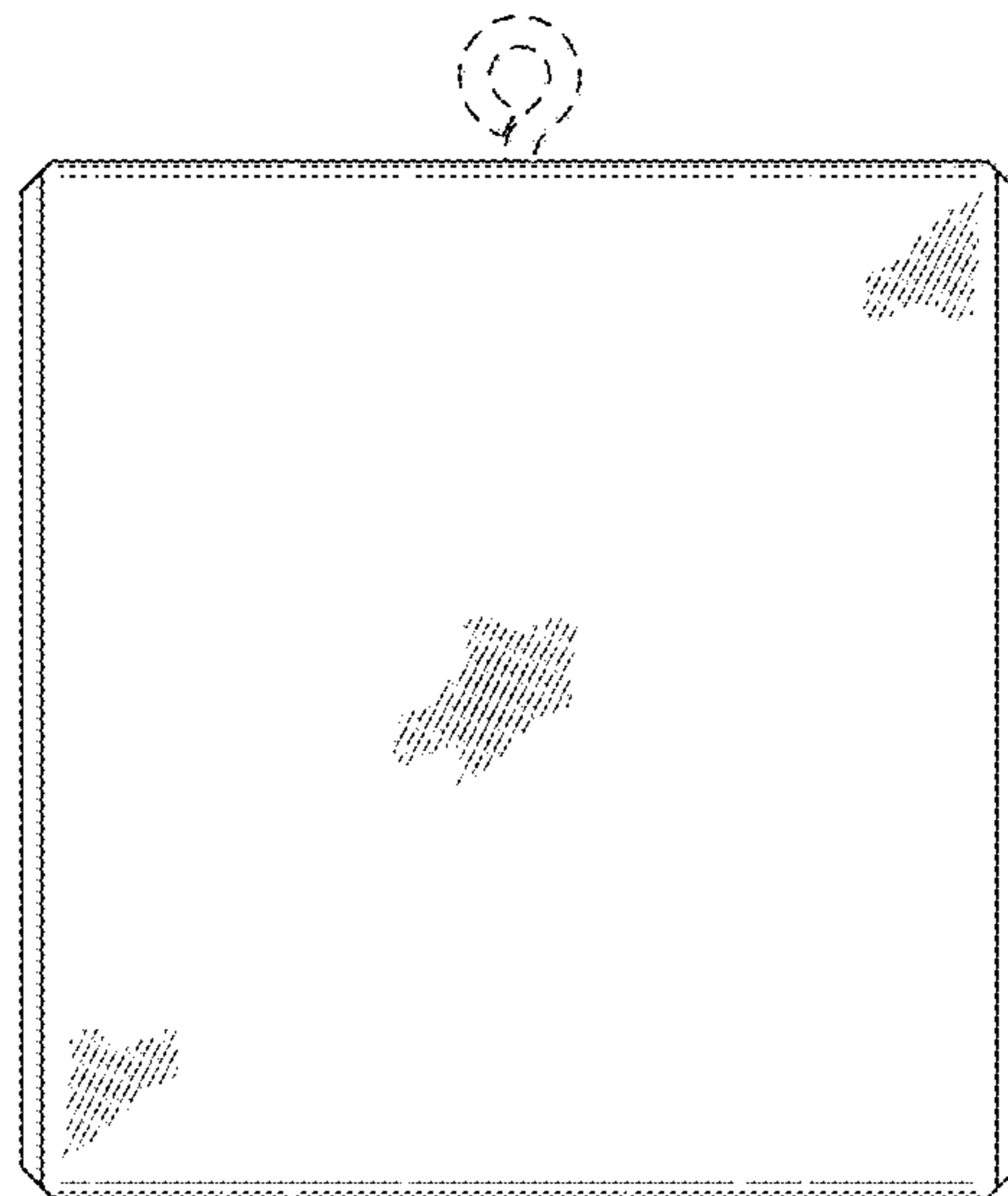
U.S. PATENT DOCUMENTS

D421,509 S *	3/2000	Carpenter .....	D30/110
6,637,149 B1 *	10/2003	Bauer .....	A01M 1/02 43/107
6,766,611 B2 *	7/2004	Prince .....	A01M 1/04 220/6
D672,426 S *	12/2012	Davis, Jr. ....	D22/122
D690,384 S *	9/2013	Davis, Jr. ....	D22/122
2007/0006519 A1 *	1/2007	Gunderman, Jr. ....	A01M 1/223 43/112
2010/0269402 A1 *	10/2010	Blazer .....	A01M 1/106 43/107

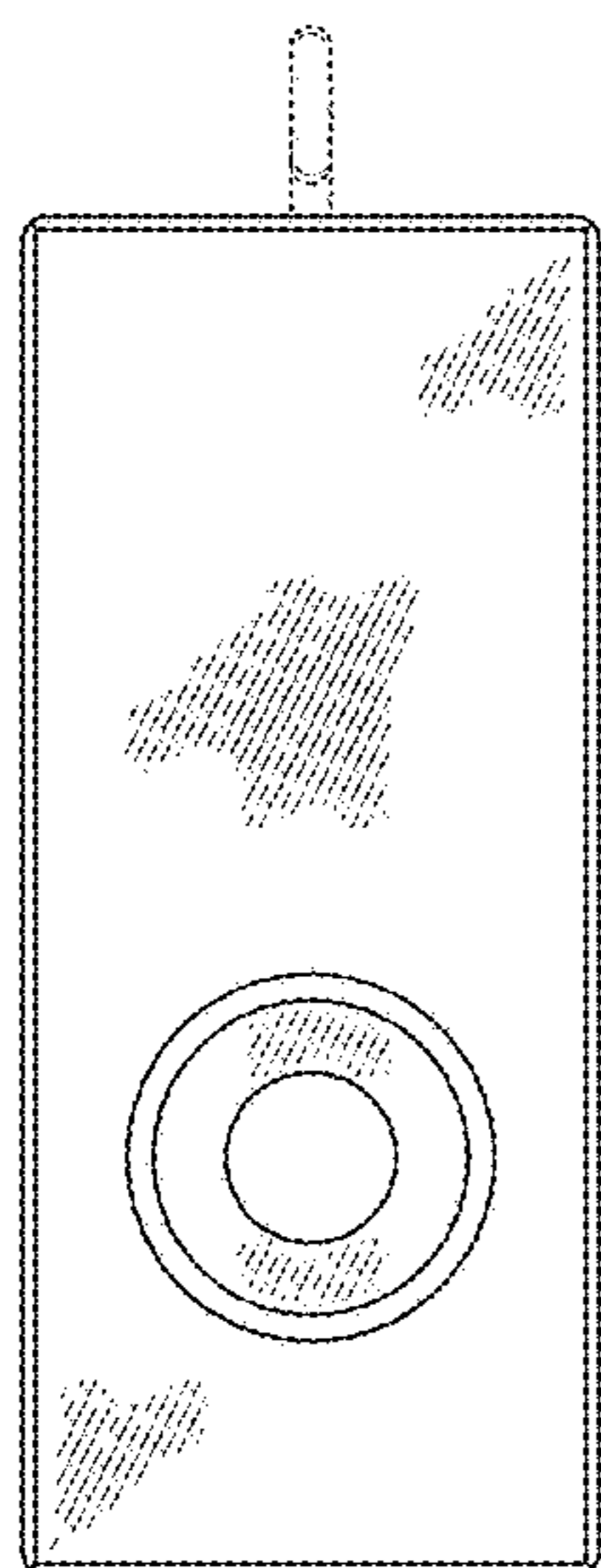
\* cited by examiner



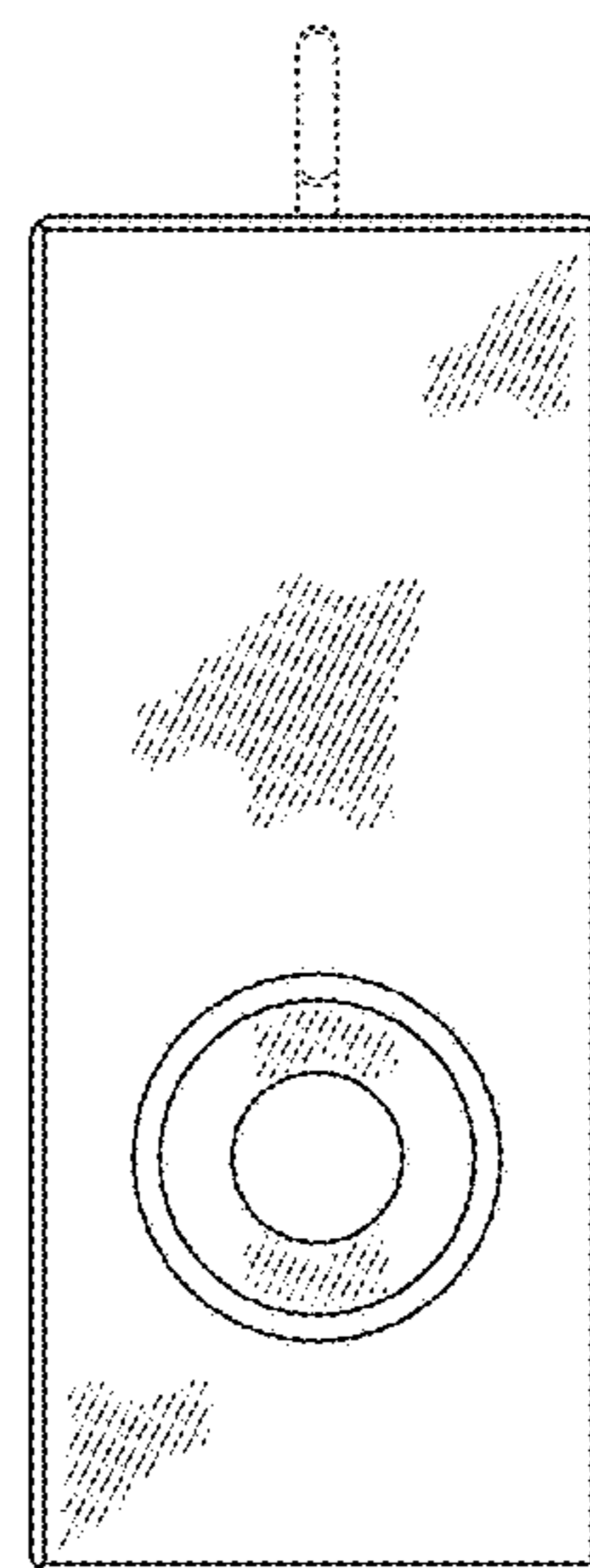
**FIG. 1**



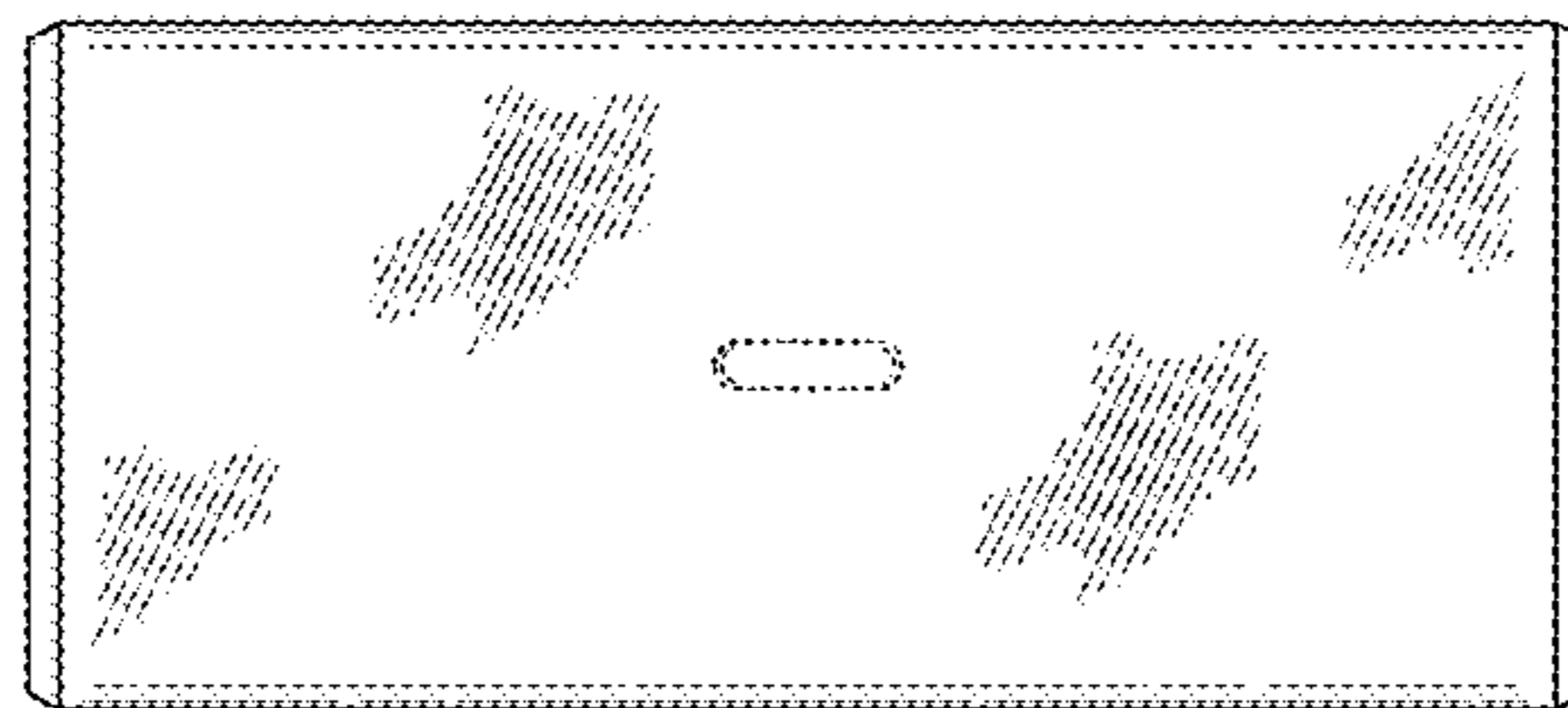
**FIG. 2**



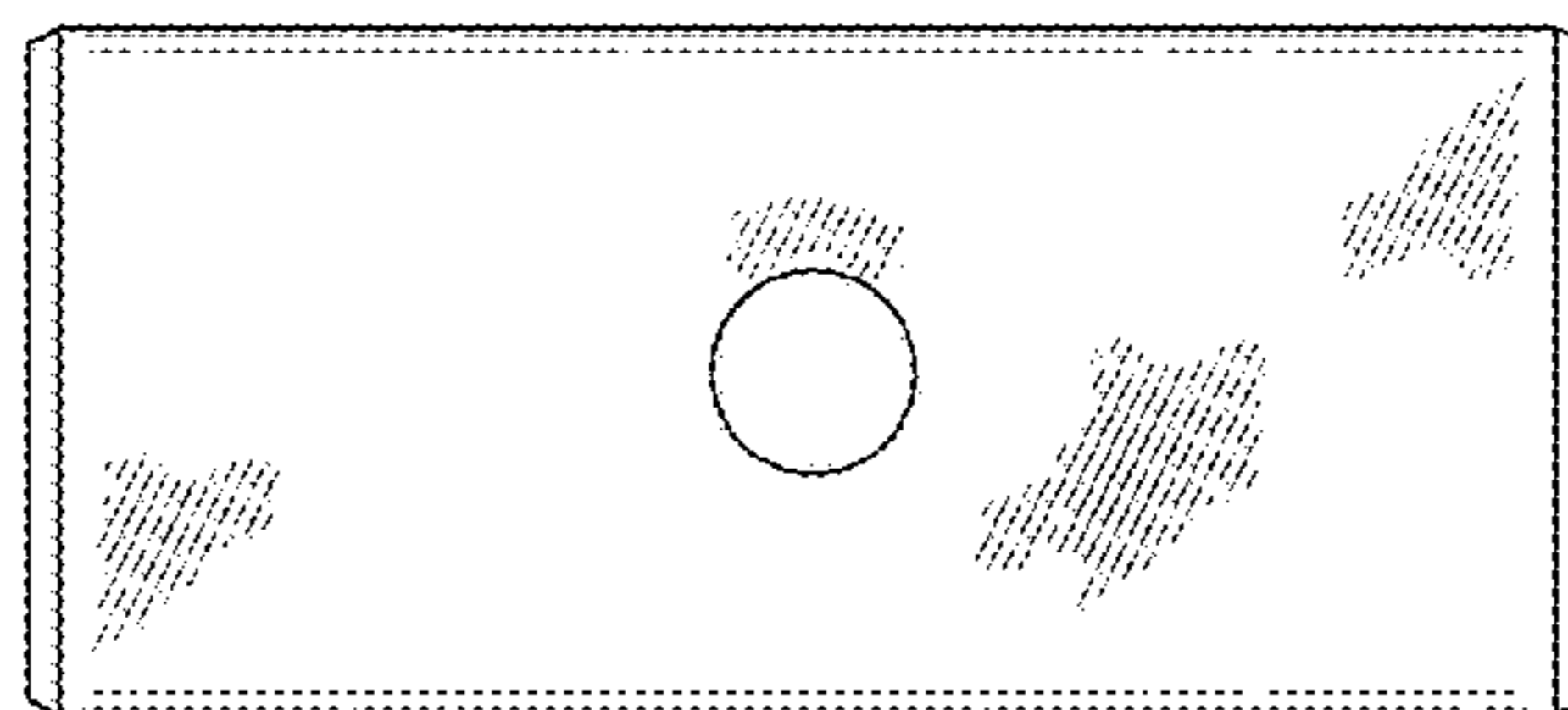
**FIG. 3**



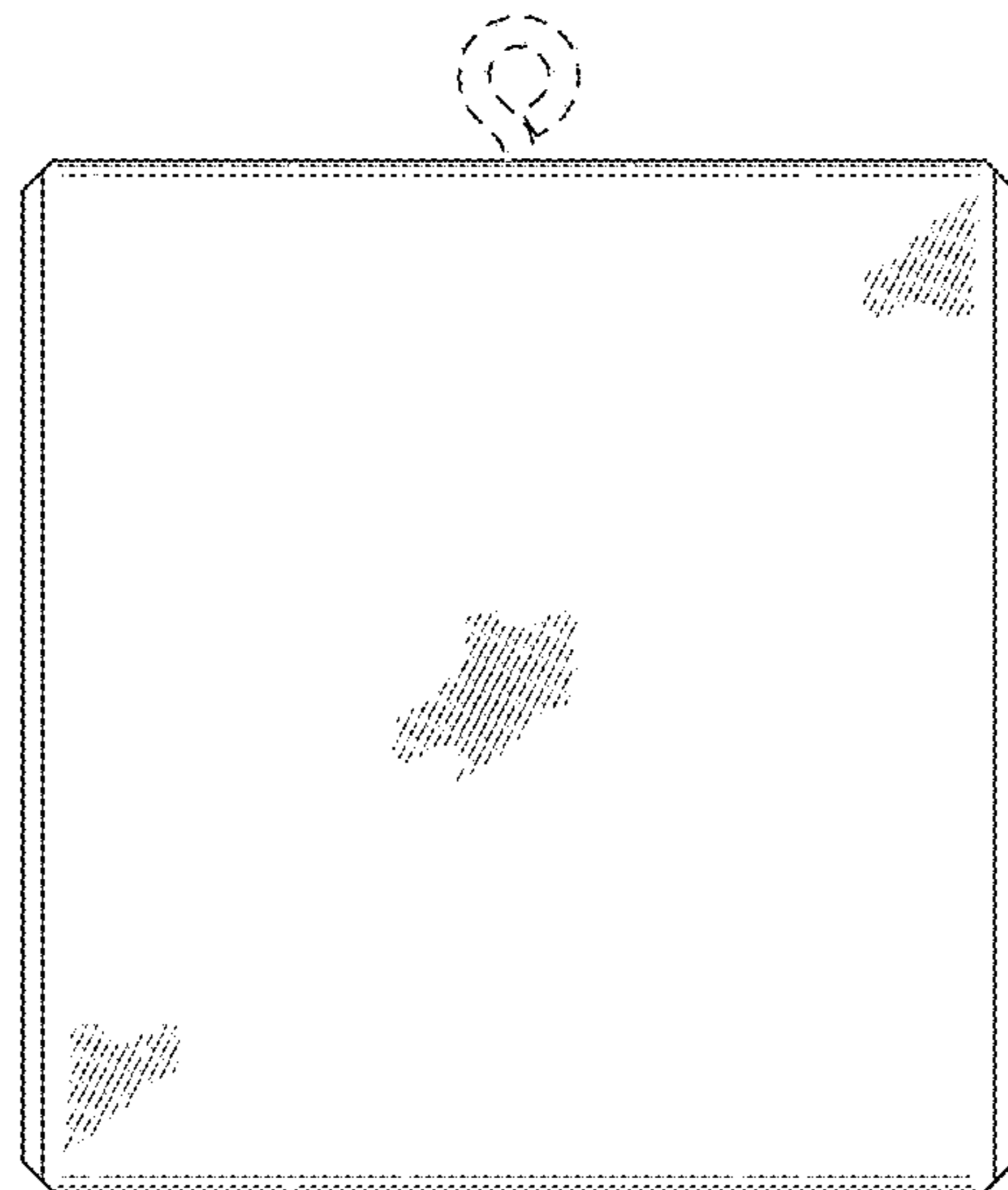
**FIG. 4**



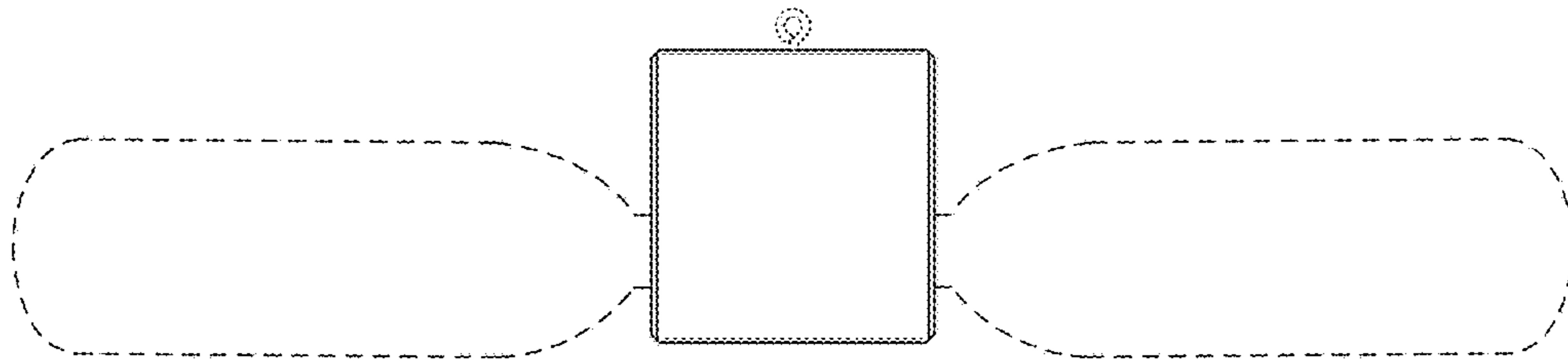
**FIG. 5**



**FIG. 6**

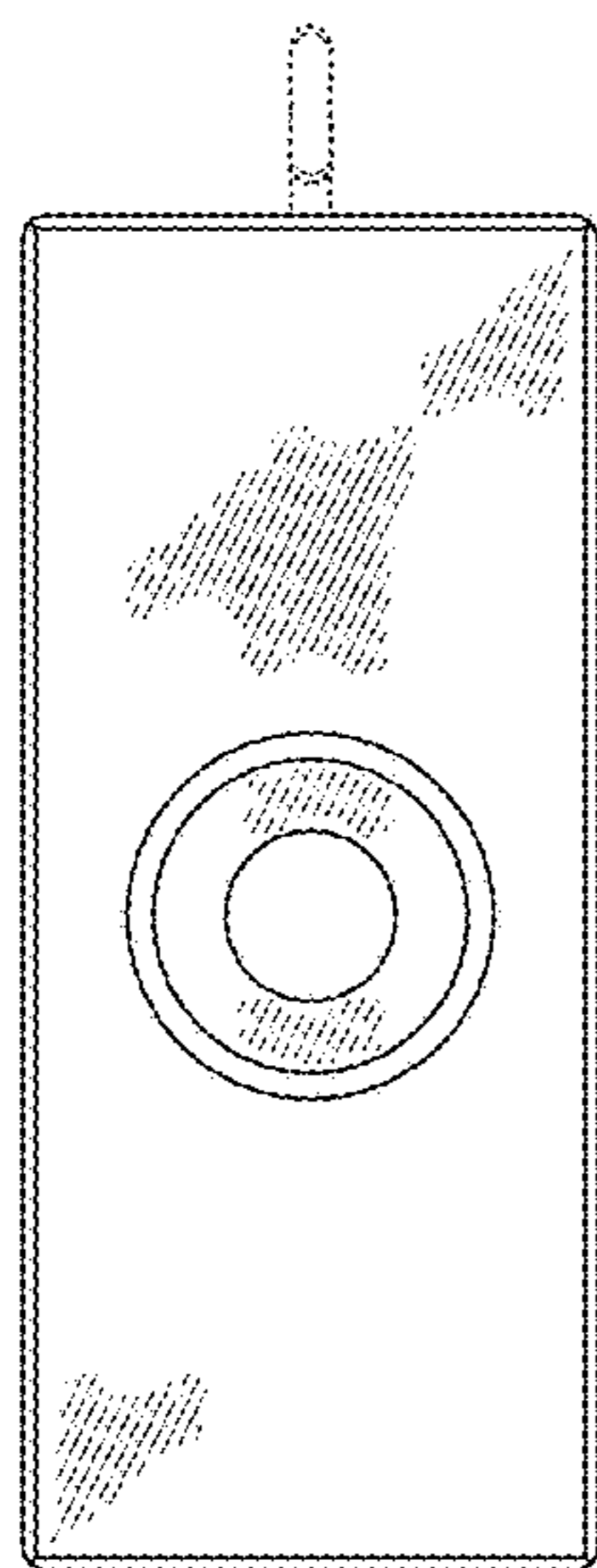


**FIG. 7**

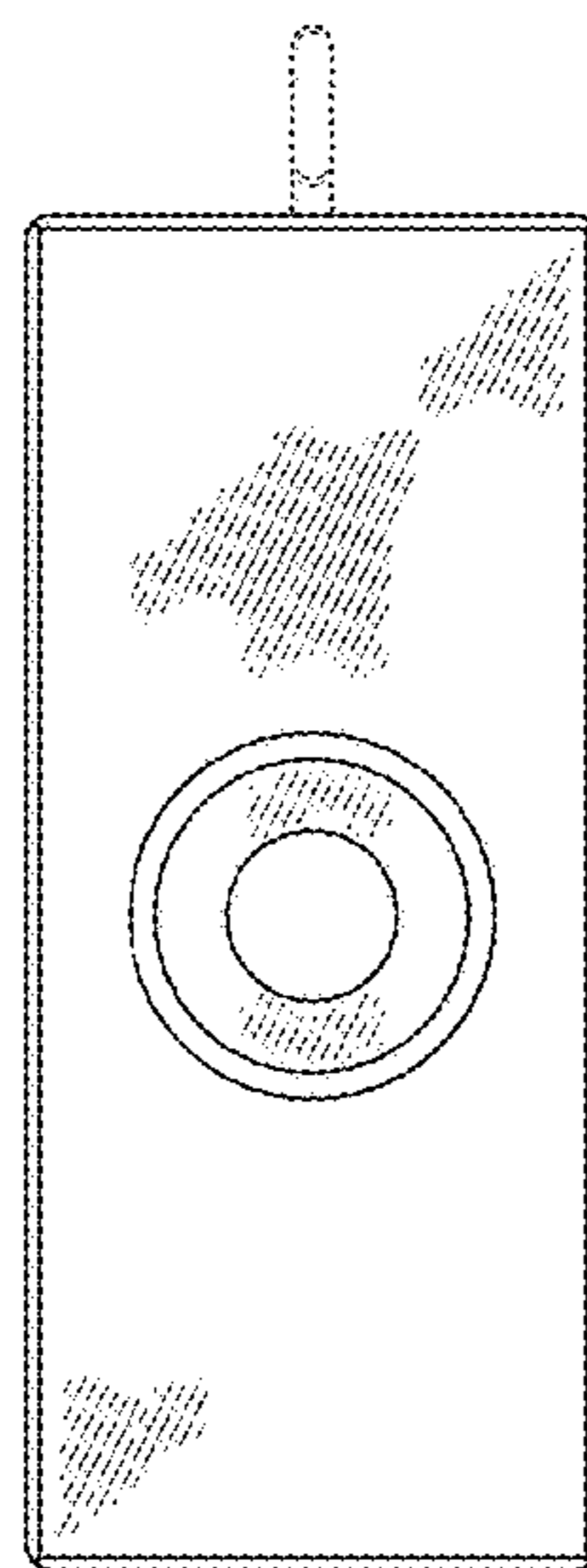


**FIG. 8**

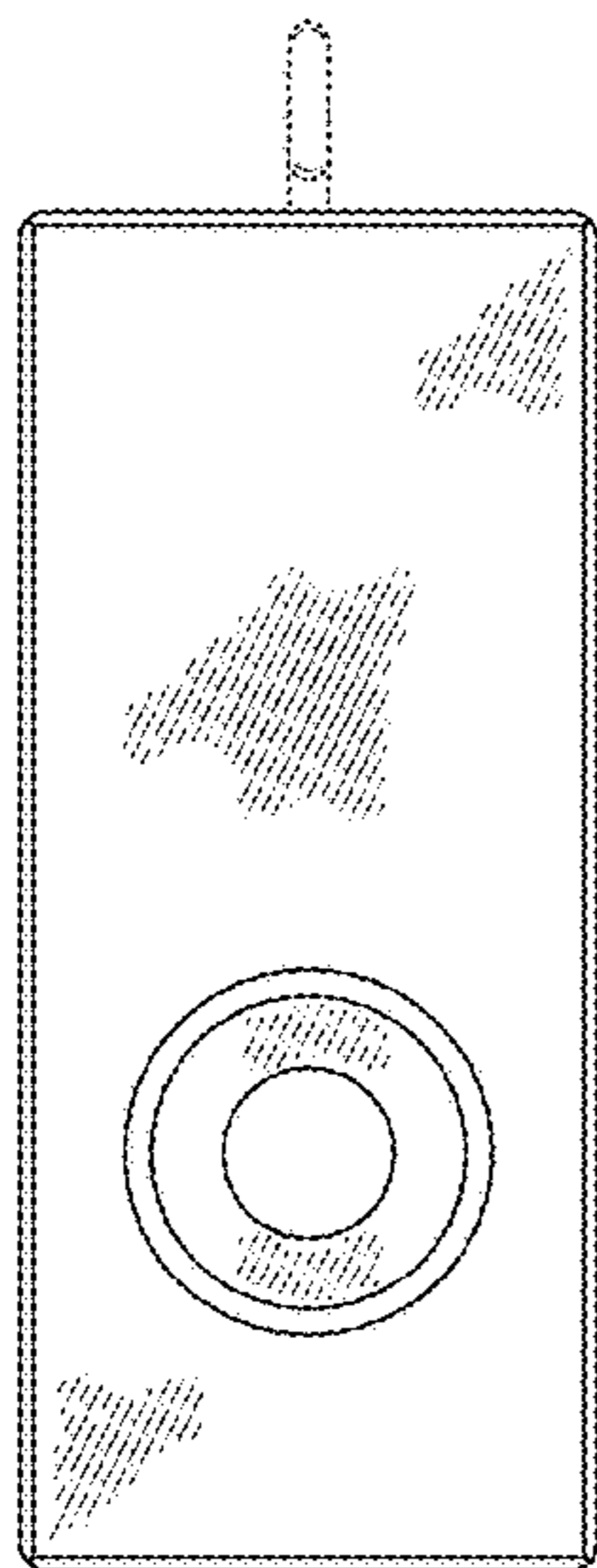




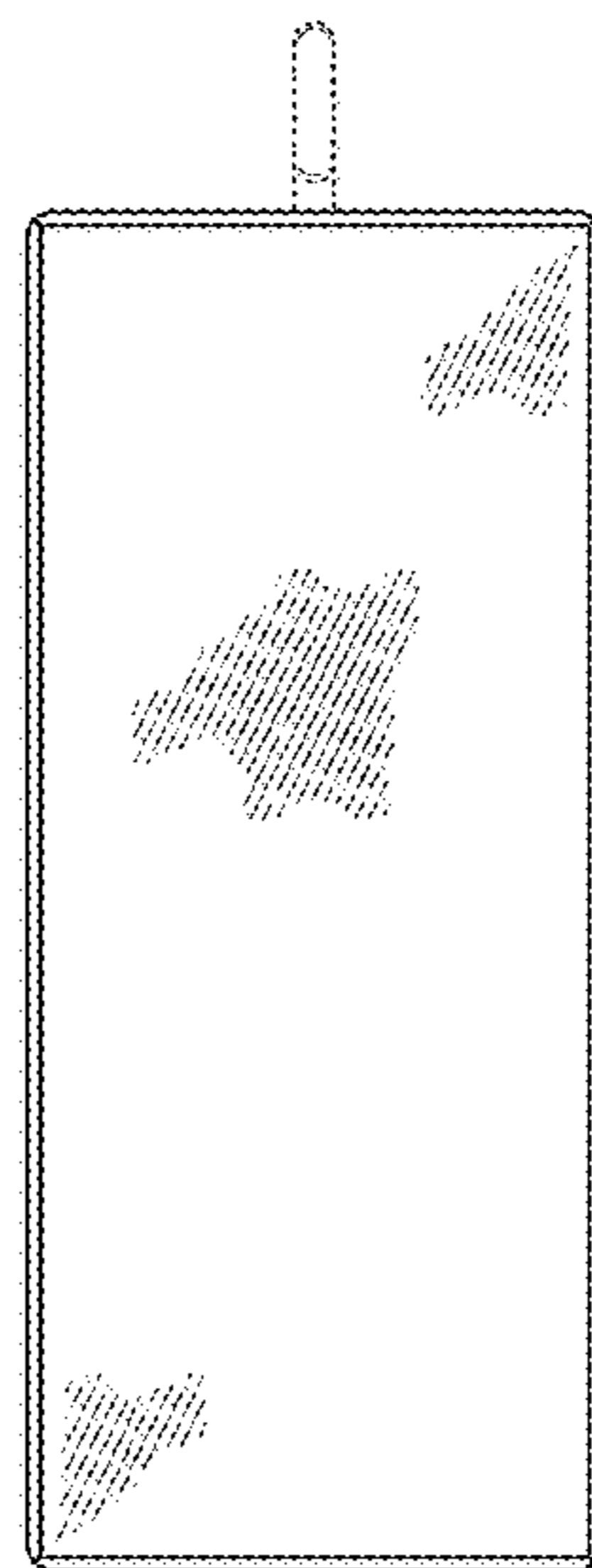
**FIG. 9**



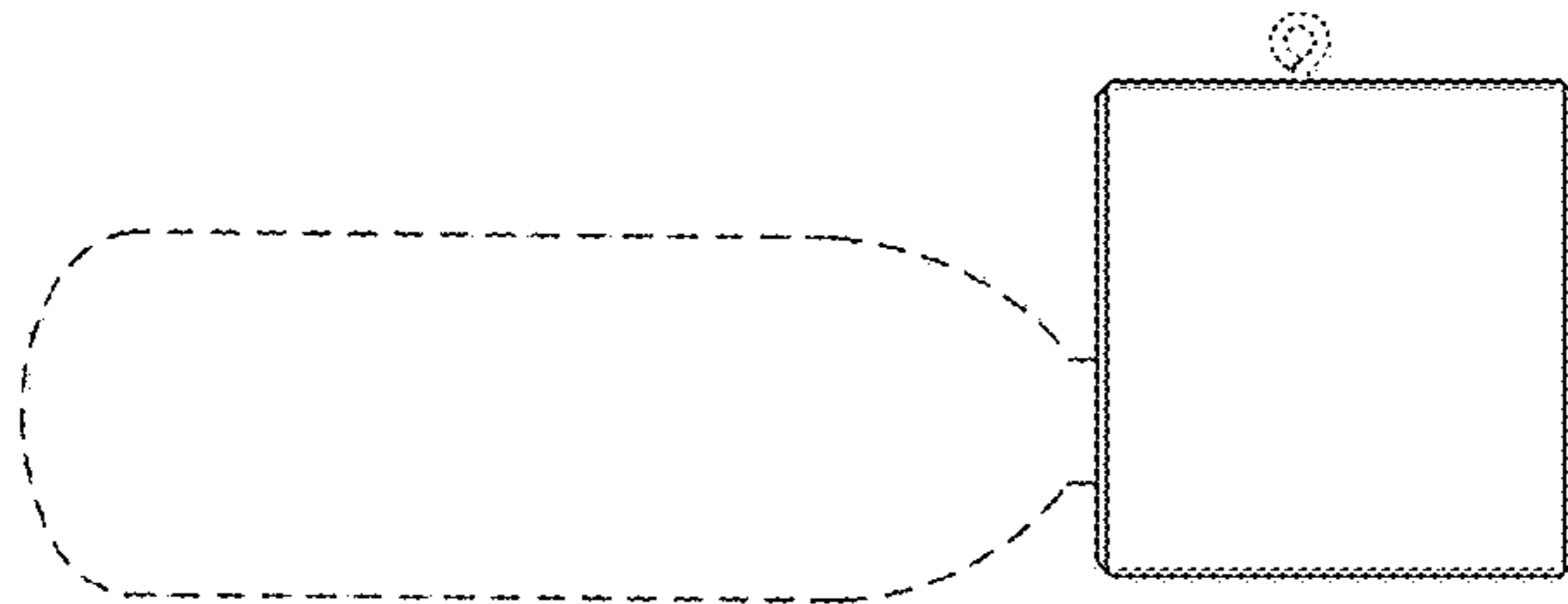
**FIG. 10**



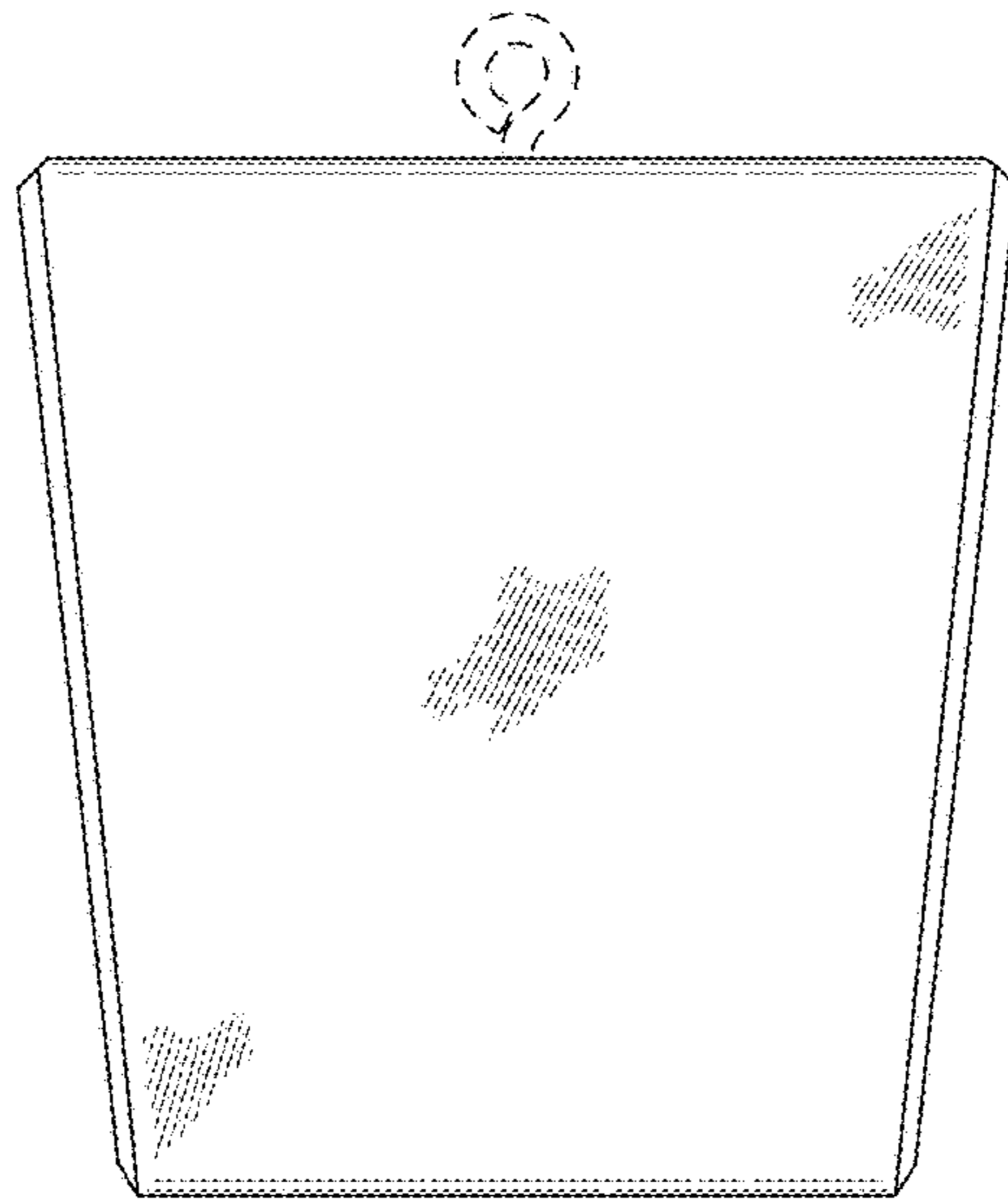
**FIG. 11**



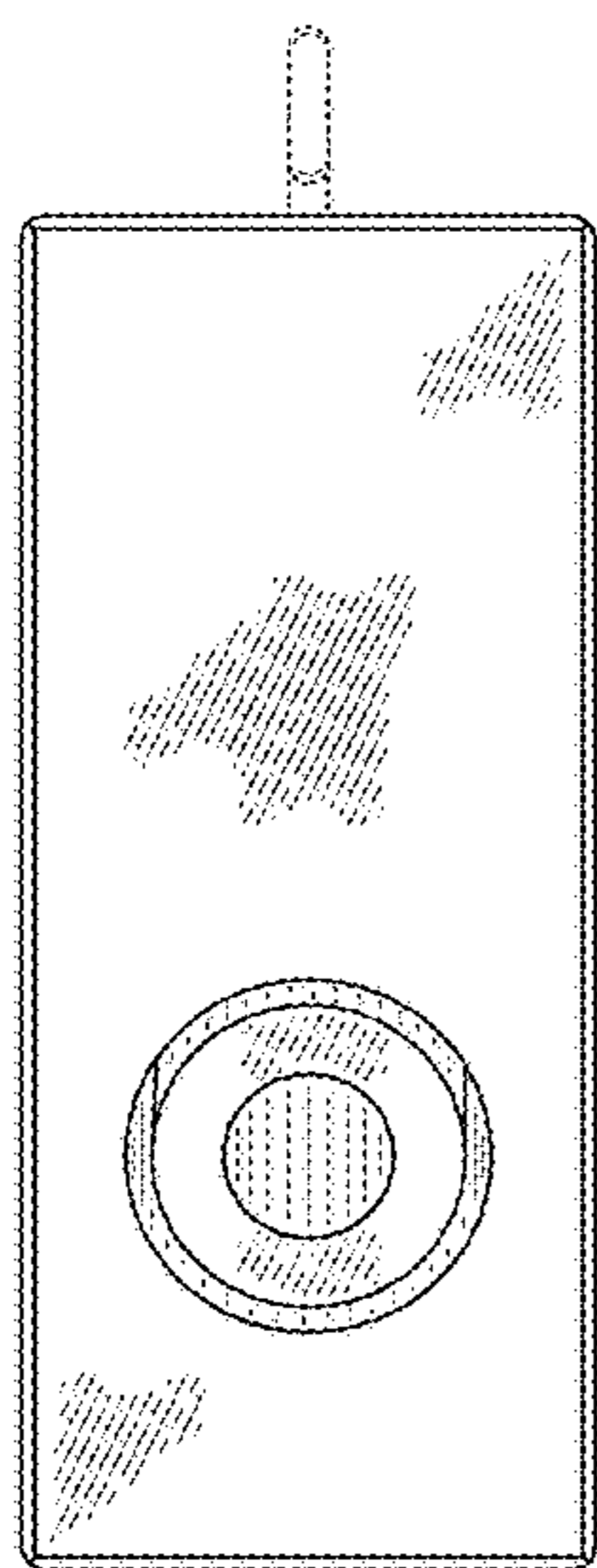
**FIG. 12**



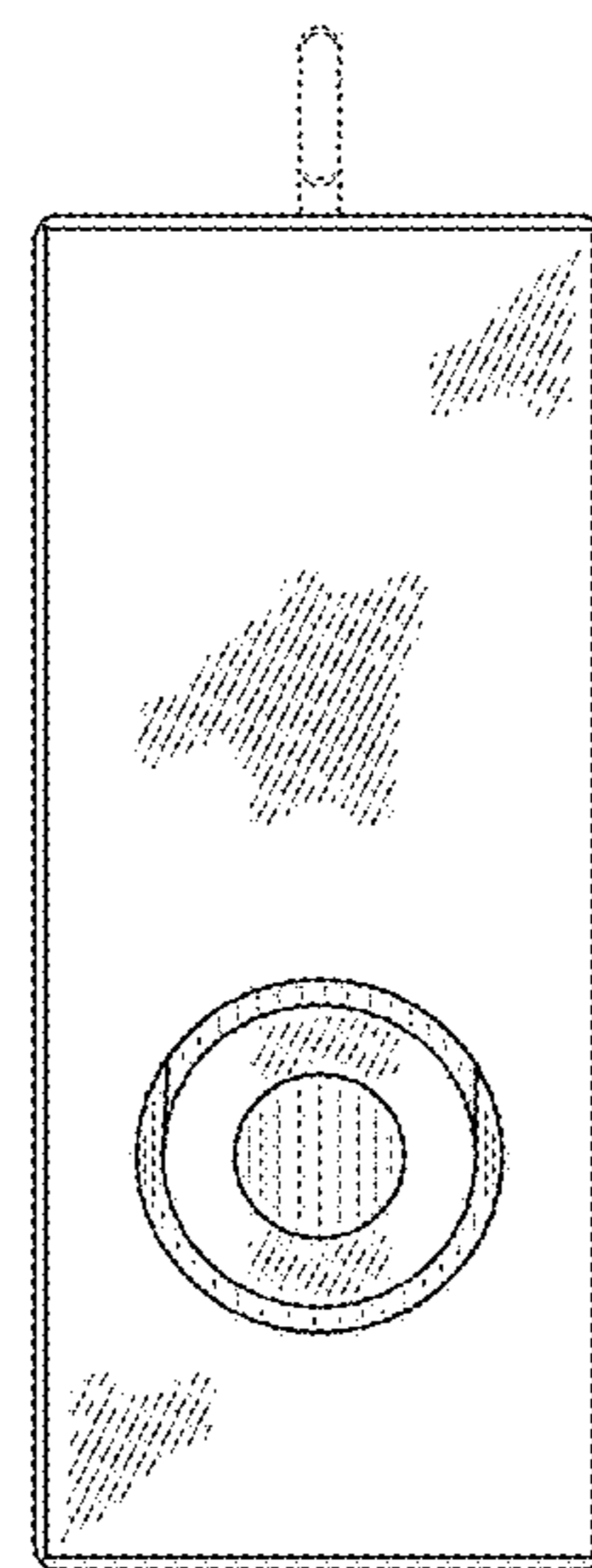
**FIG. 13**



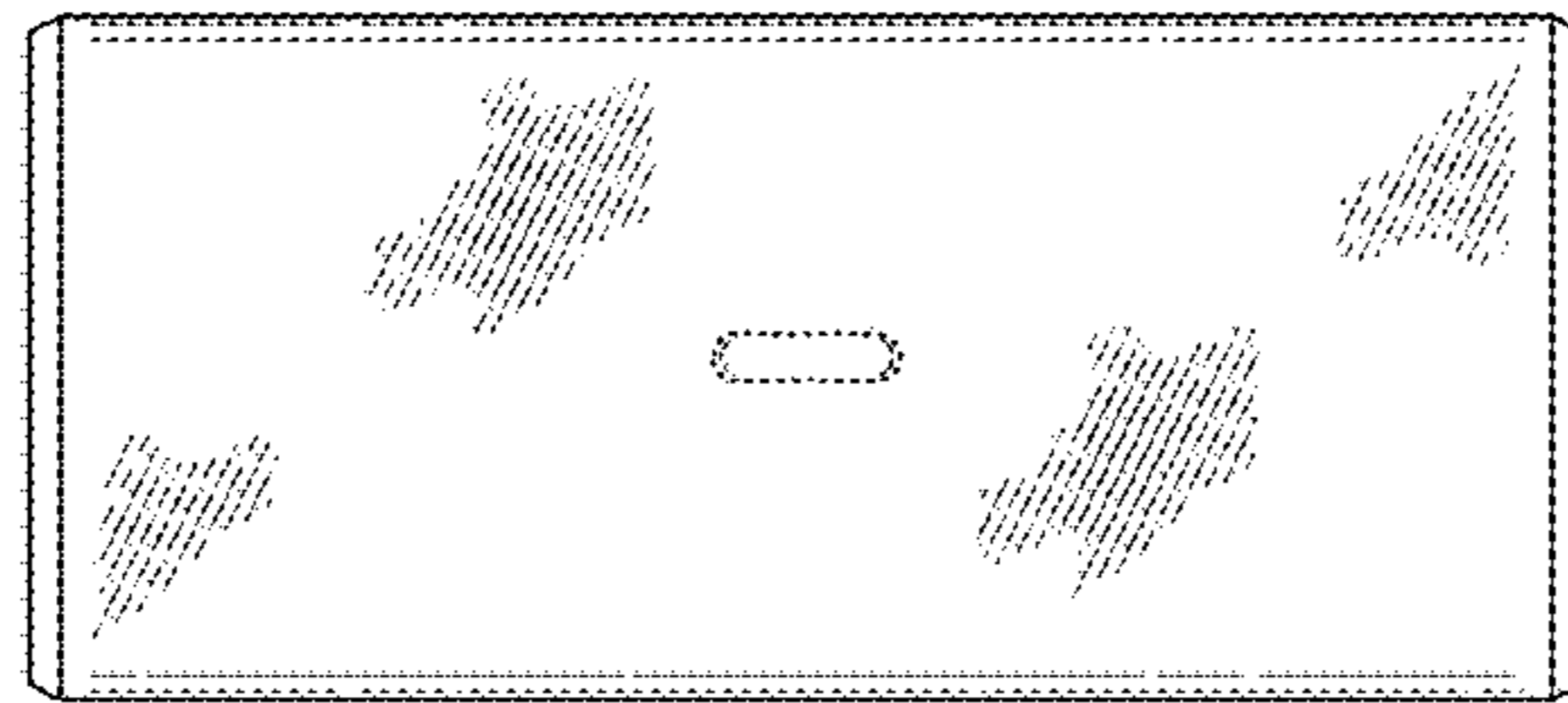
**FIG. 14**



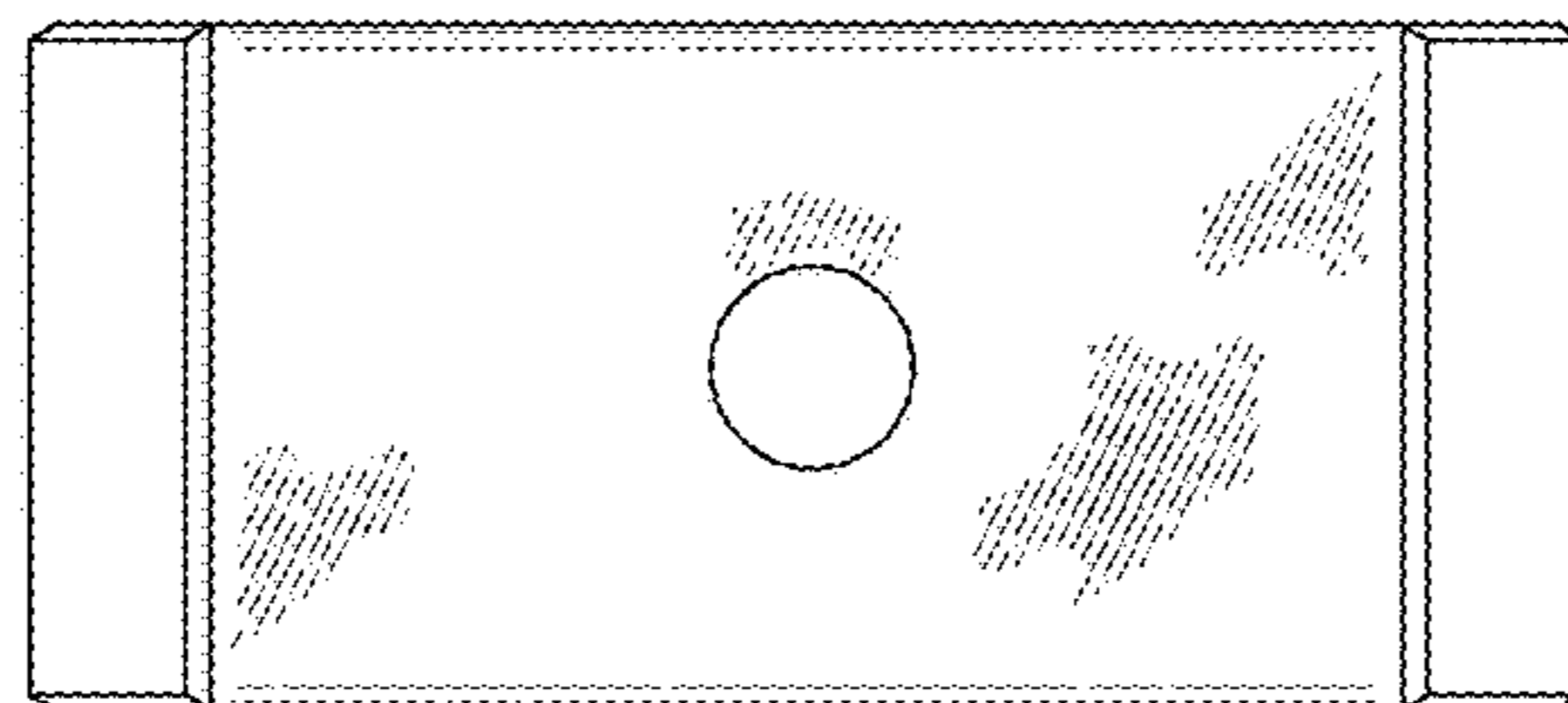
**FIG. 15**



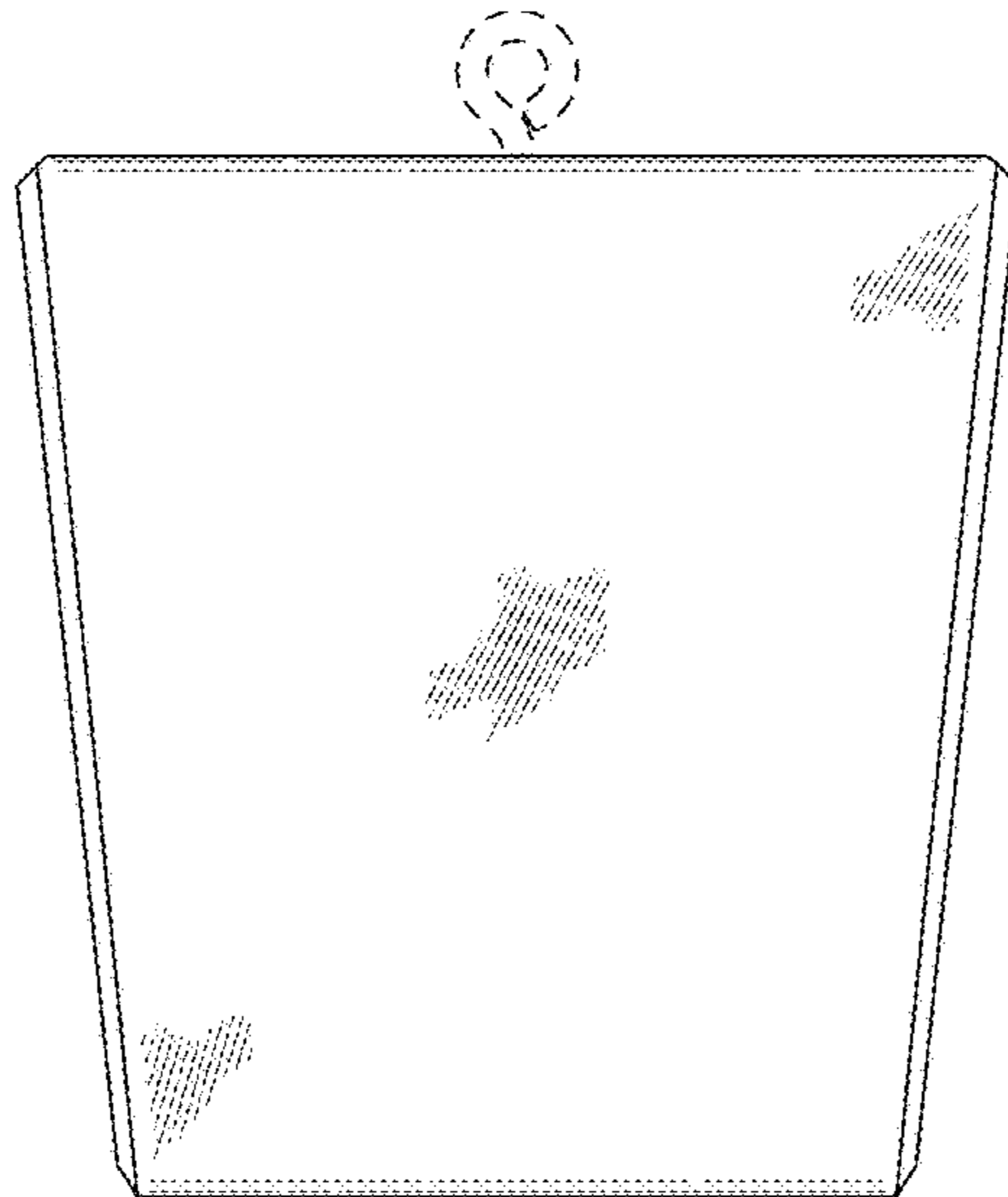
**FIG. 16**



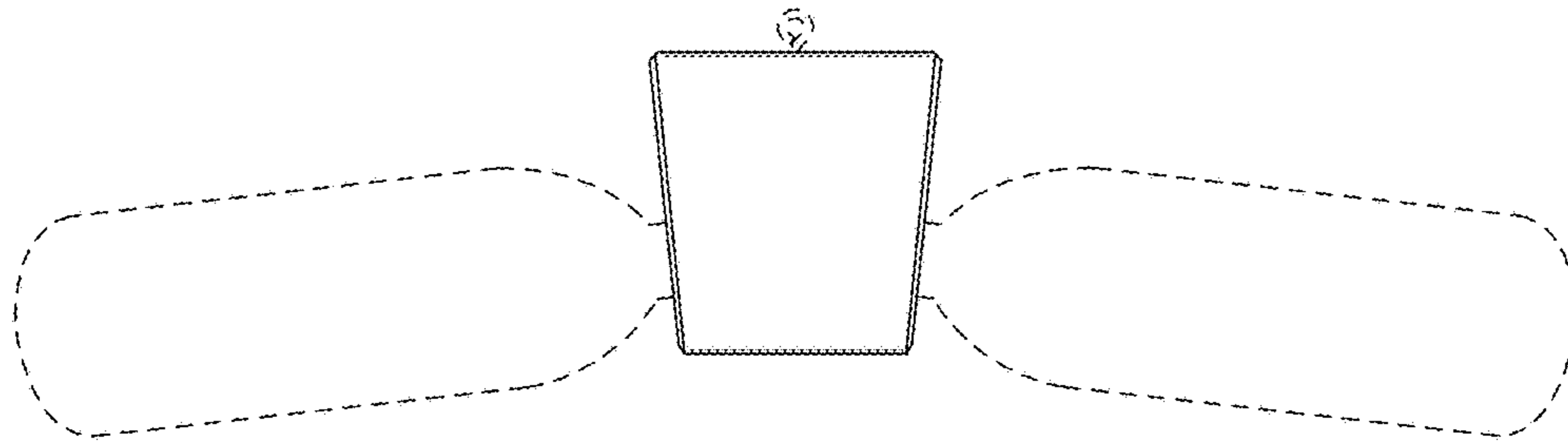
**FIG. 17**



**FIG. 18**

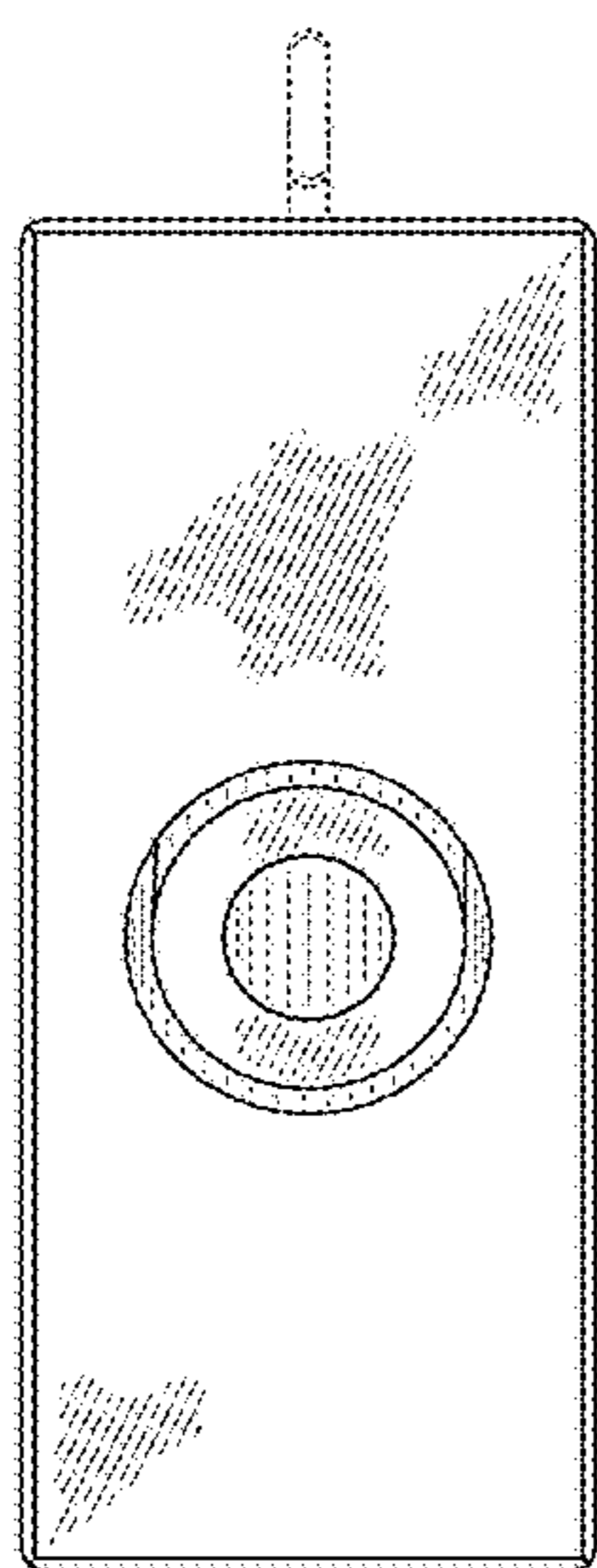


**FIG. 19**

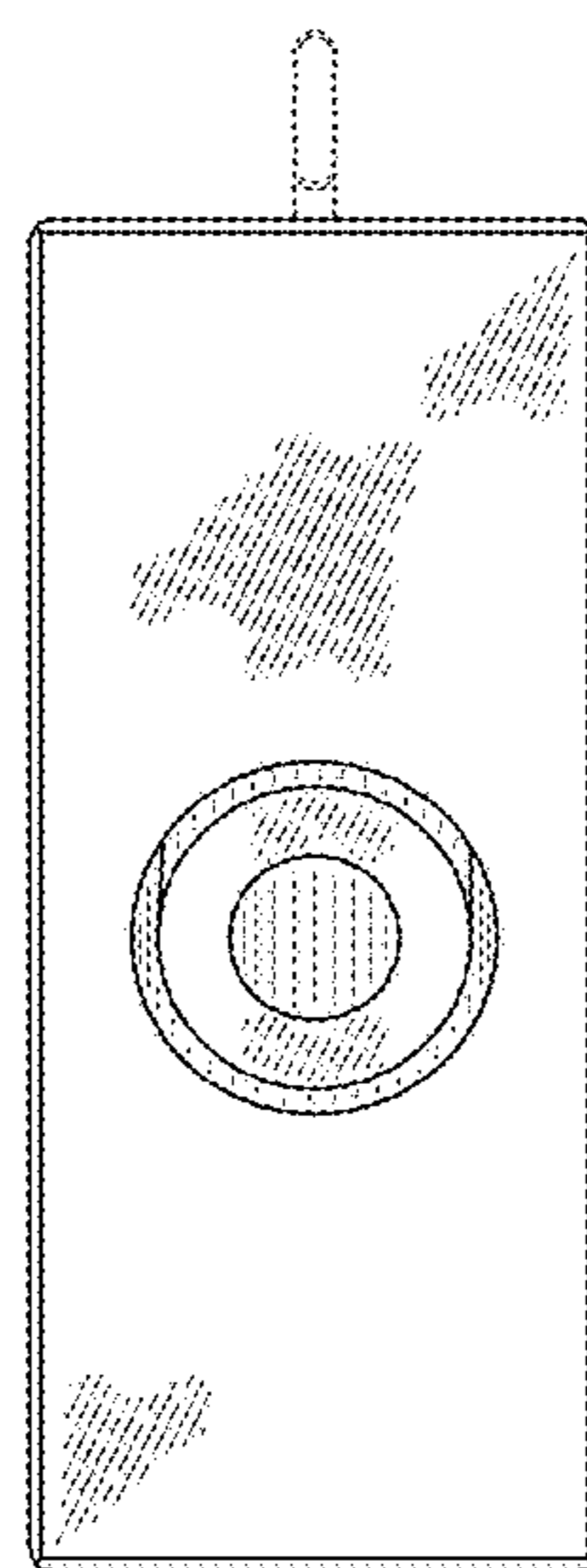


**FIG. 20**

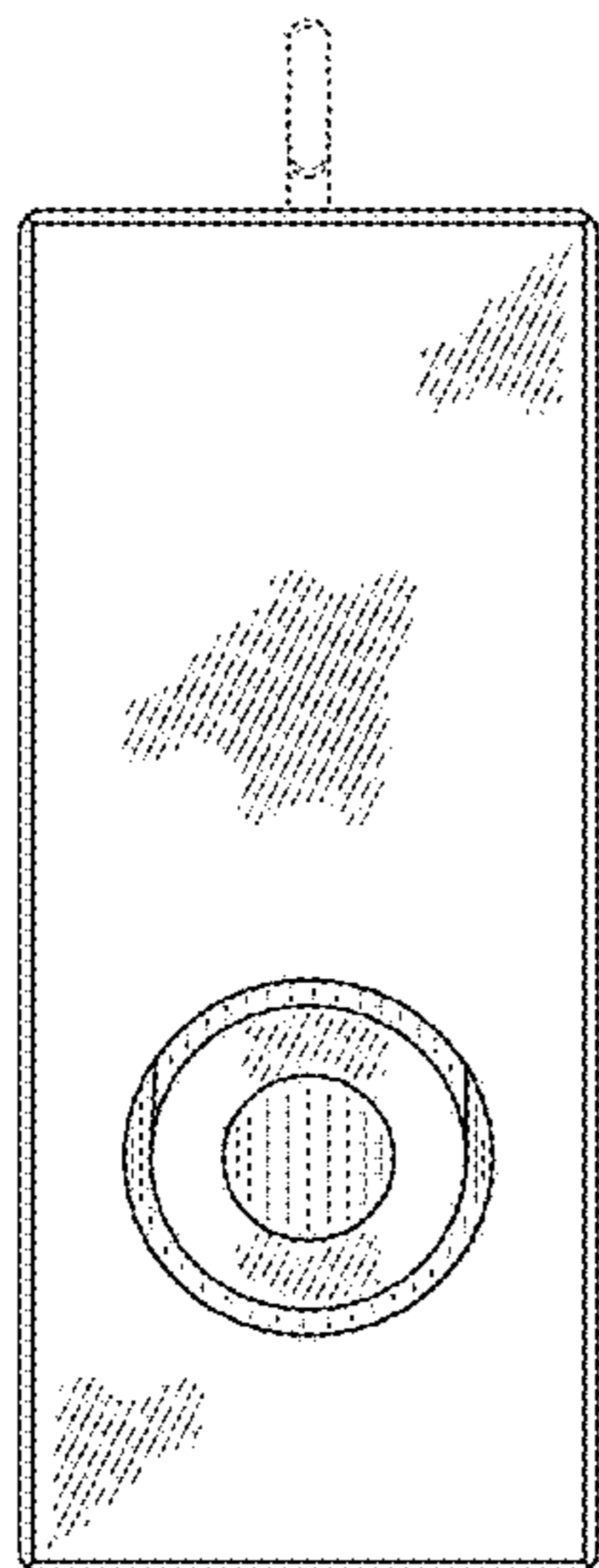




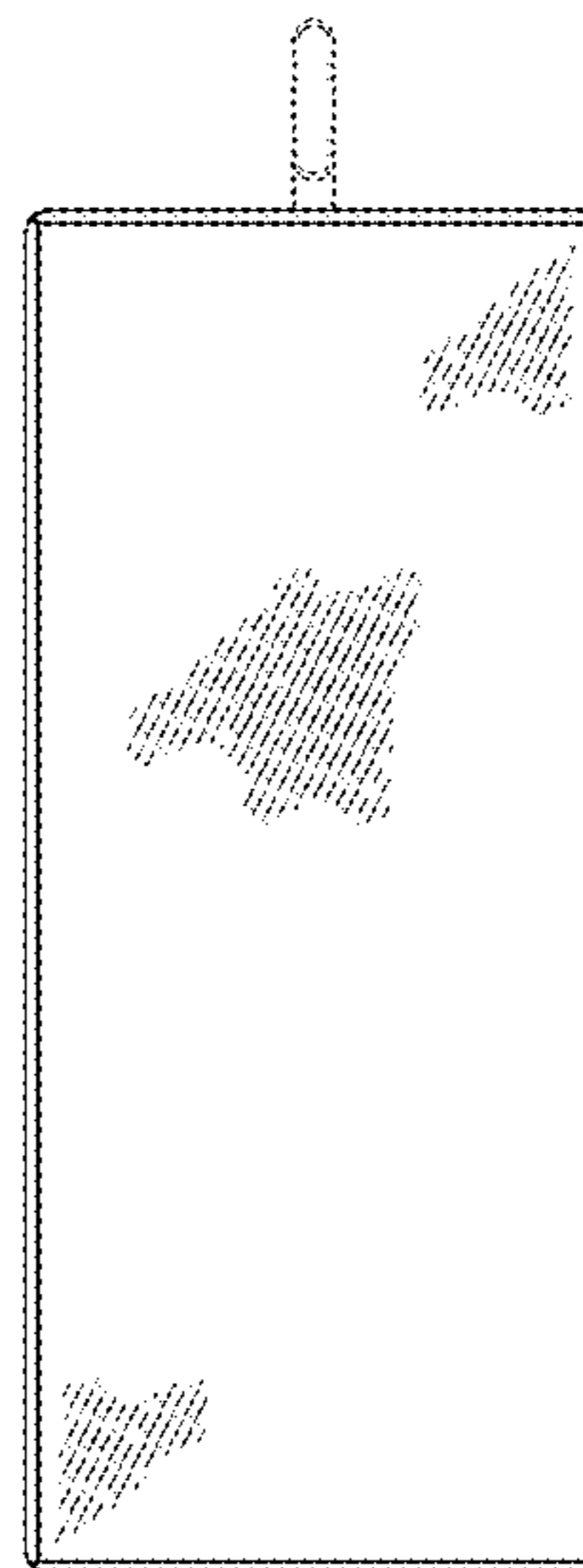
**FIG. 21**



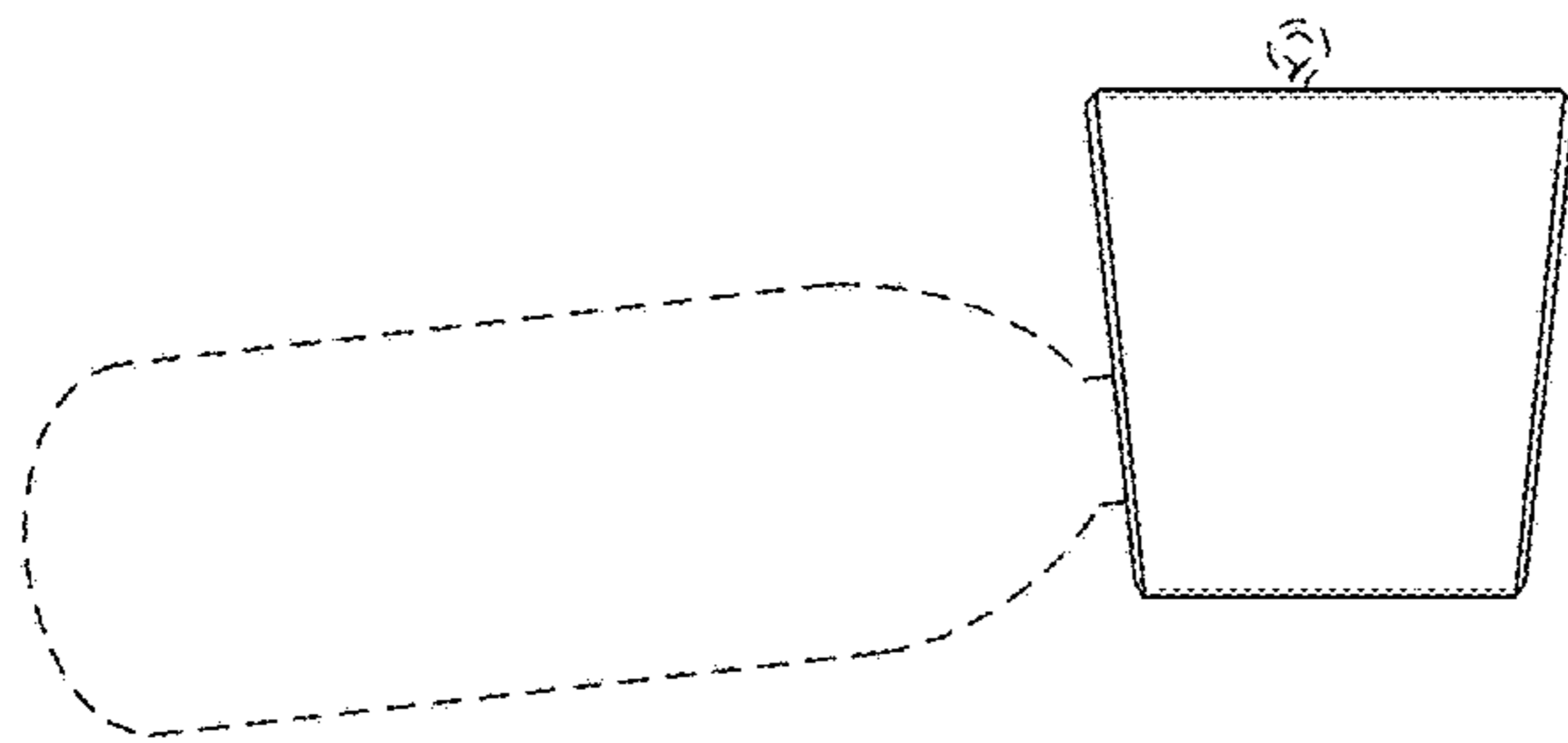
**FIG. 22**



**FIG. 23**



**FIG. 24**



**FIG. 25**