



US00D863493S

(12) **United States Design Patent**  
**Le Laidier**

(10) **Patent No.:** **US D863,493 S**

(45) **Date of Patent:** **\*\* Oct. 15, 2019**

(54) **MOUSE AND RAT TRAP**  
(71) Applicant: **SWISSINNO SOLUTIONS AG**, St. Gallen (CH)  
(72) Inventor: **Gabriel Le Laidier**, St. Gallen (CH)

2008/0072475 A1\* 3/2008 Nelson ..... A01M 25/004  
43/131  
2010/0018105 A1\* 1/2010 Gauker ..... A01M 23/30  
43/81  
2018/0125056 A1\* 5/2018 Hetman ..... A01M 23/245

(\*\*) Term: **15 Years**

\* cited by examiner

*Primary Examiner* — Michael A. Pratt

(21) Appl. No.: **35/505,916**

(57) **CLAIM**

(22) Filed: **Jul. 11, 2018**

The ornamental design for a mouse and rat trap, as shown and described.

(80) **Hague Agreement Data**  
Int. Filing Date: **Jul. 11, 2018**  
Int. Reg. No.: **DM/103256**  
Int. Reg. Date: **Jul. 11, 2018**  
Int. Reg. Pub. Date: **Oct. 26, 2018**  
(51) **LOC (12) Cl.** ..... **22-06**  
(52) **U.S. Cl.**  
USPC ..... **D22/119**  
(58) **Field of Classification Search**  
USPC ..... D22/119–124  
CPC ..... A01M 23/26; A01M 23/30  
See application file for complete search history.

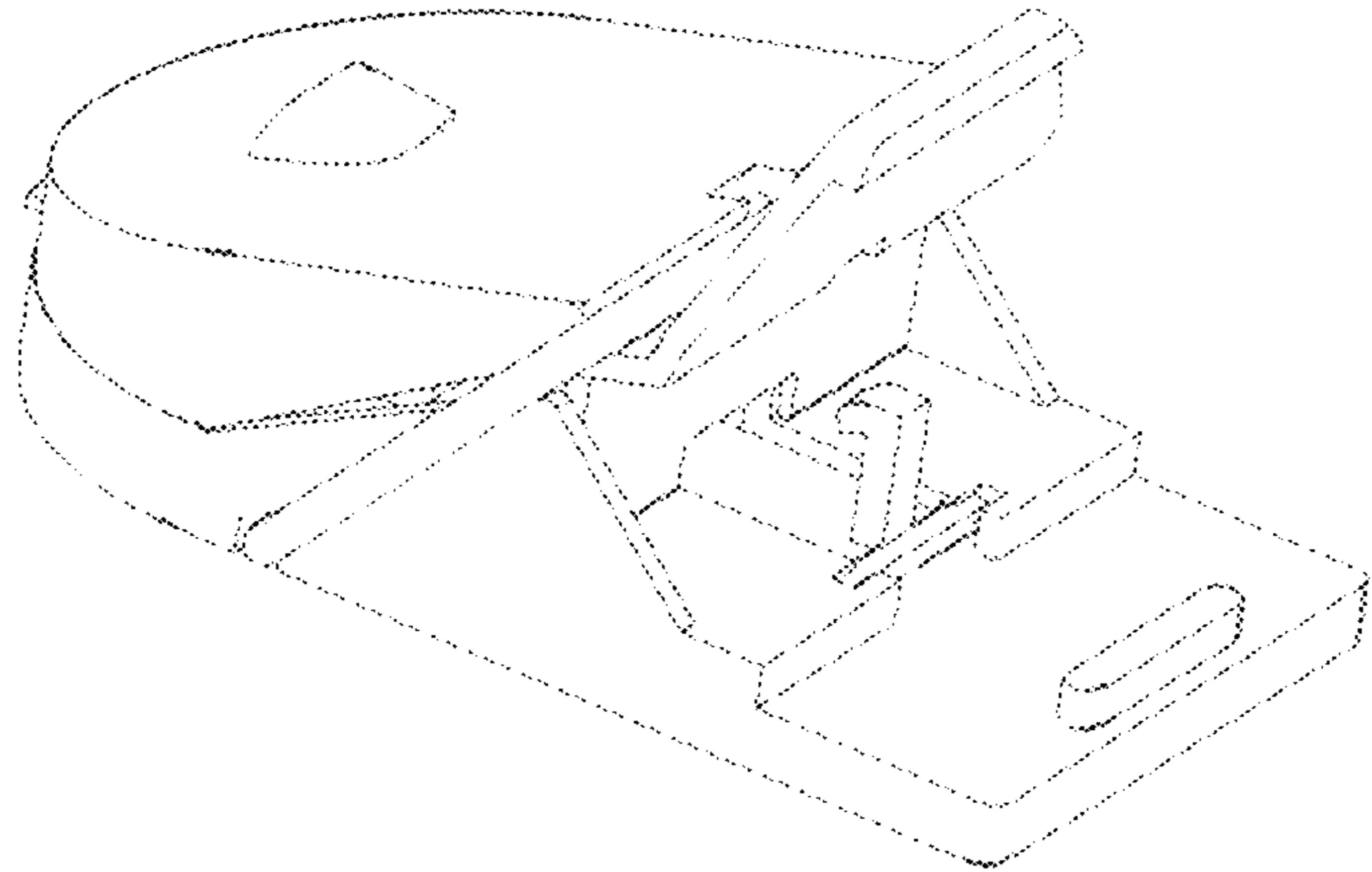
**DESCRIPTION**

- 1.-2. Mouse and rat trap
- 1.1 : Back
- 1.2 : Back
- 1.3 : Perspective
- 1.4 : Front
- 1.5 : Perspective
- 1.6 : Front
- 1.7 : Perspective
- 1.8 : Perspective
- 1.9 : Left
- 1.10 : Bottom
- 1.11 : Perspective
- 1.12 : Perspective
- 1.13 : Left
- 1.14 : Top
- 1.15 : Top
- 2.1 : Perspective
- 2.2 : Perspective
- 2.3 : Perspective

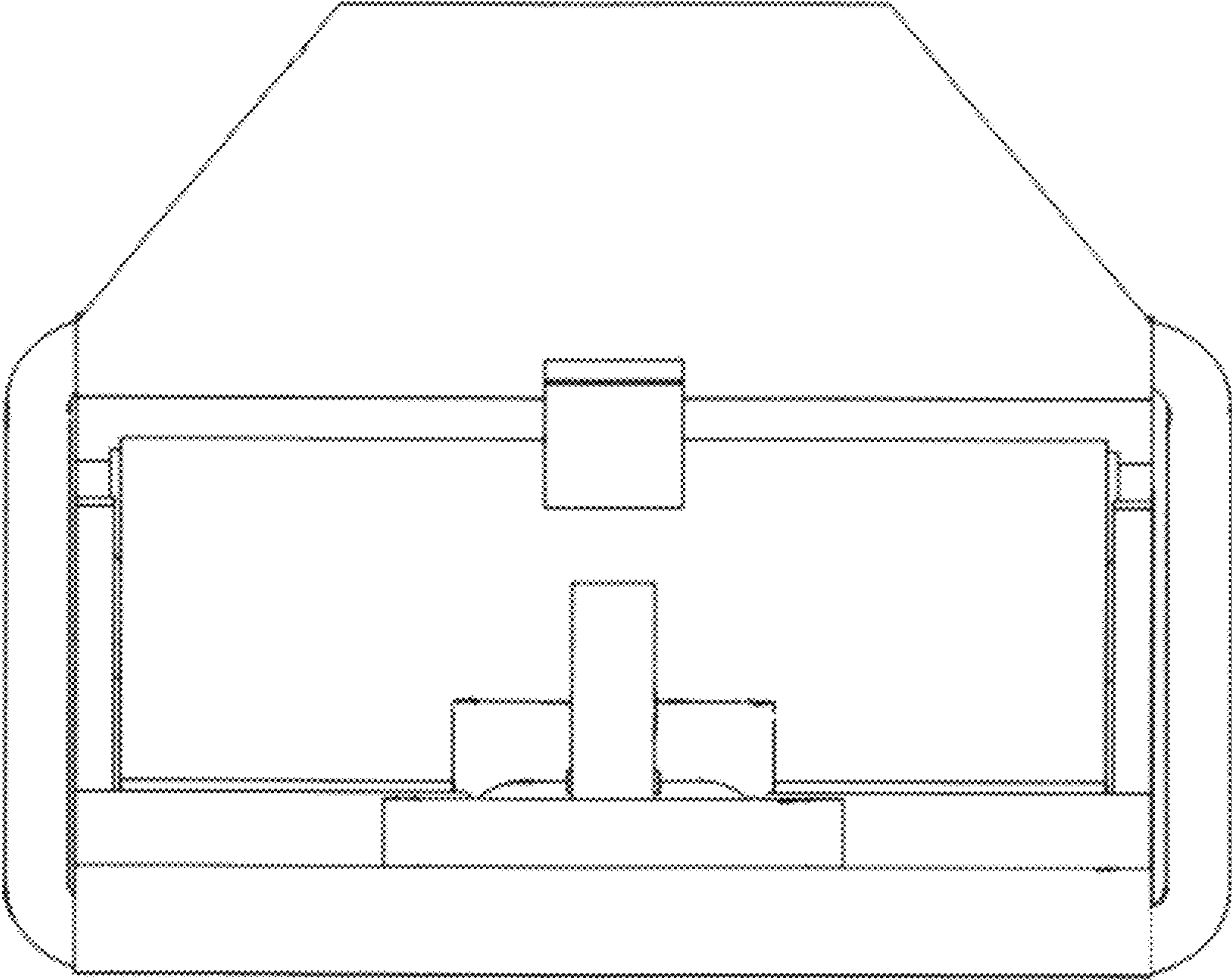
(56) **References Cited**  
**U.S. PATENT DOCUMENTS**  
4,803,799 A \* 2/1989 Vajs ..... A01M 23/30  
43/82  
D385,611 S \* 10/1997 Prince ..... D22/119  
D441,828 S \* 5/2001 Leyerle ..... D22/119  
D532,478 S \* 11/2006 Wiesener ..... D22/119  
D616,958 S \* 6/2010 Huang ..... D22/119  
D676,098 S \* 2/2013 Huang ..... D22/119  
D678,977 S \* 3/2013 Huang ..... D22/119  
D722,127 S \* 2/2015 Huang ..... D22/119  
D735,290 S \* 7/2015 Pinkston ..... D22/119  
9,210,924 B1 \* 12/2015 Terrell ..... A01M 23/26  
D770,006 S \* 10/2016 Tian ..... D22/119

The design 1 represents a mouse and rat trap; the right side views are omitted because they are mirror images of the left side views; the design 2 represents the same mouse and rat trap as design 1, but with a different bait cover and a slight different inside trigger holding design.

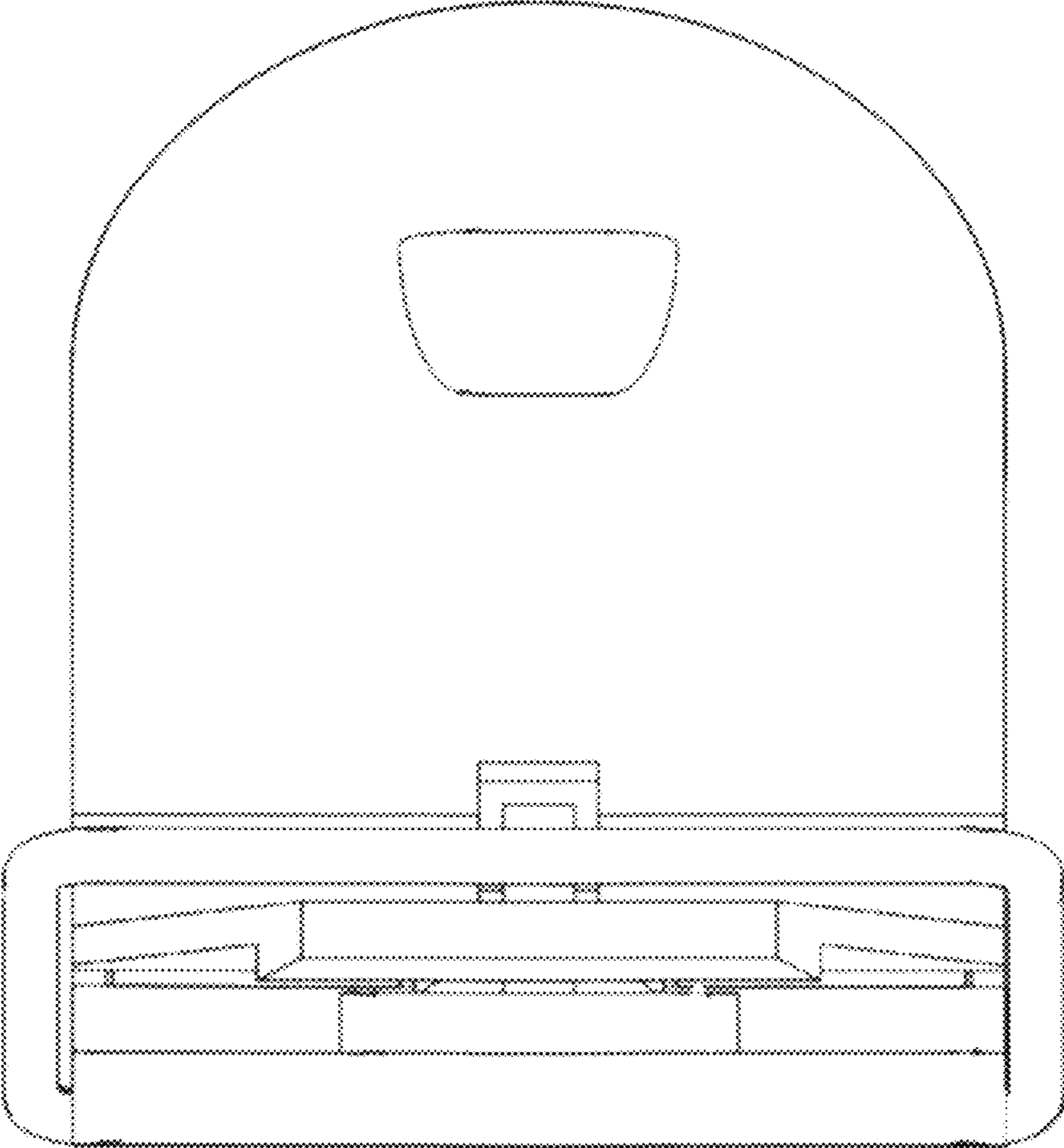
**1 Claim, 18 Drawing Sheets**



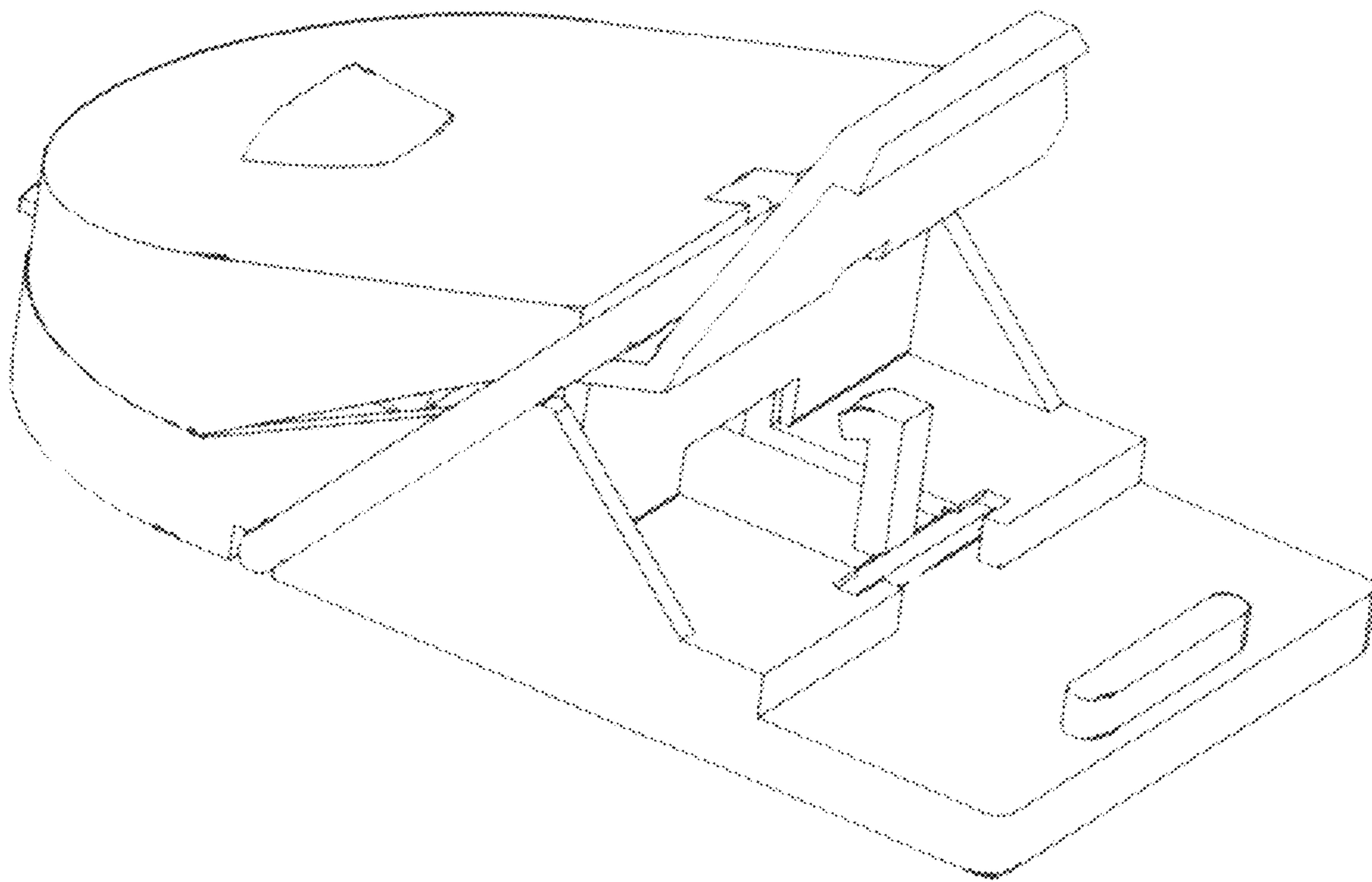
1.1



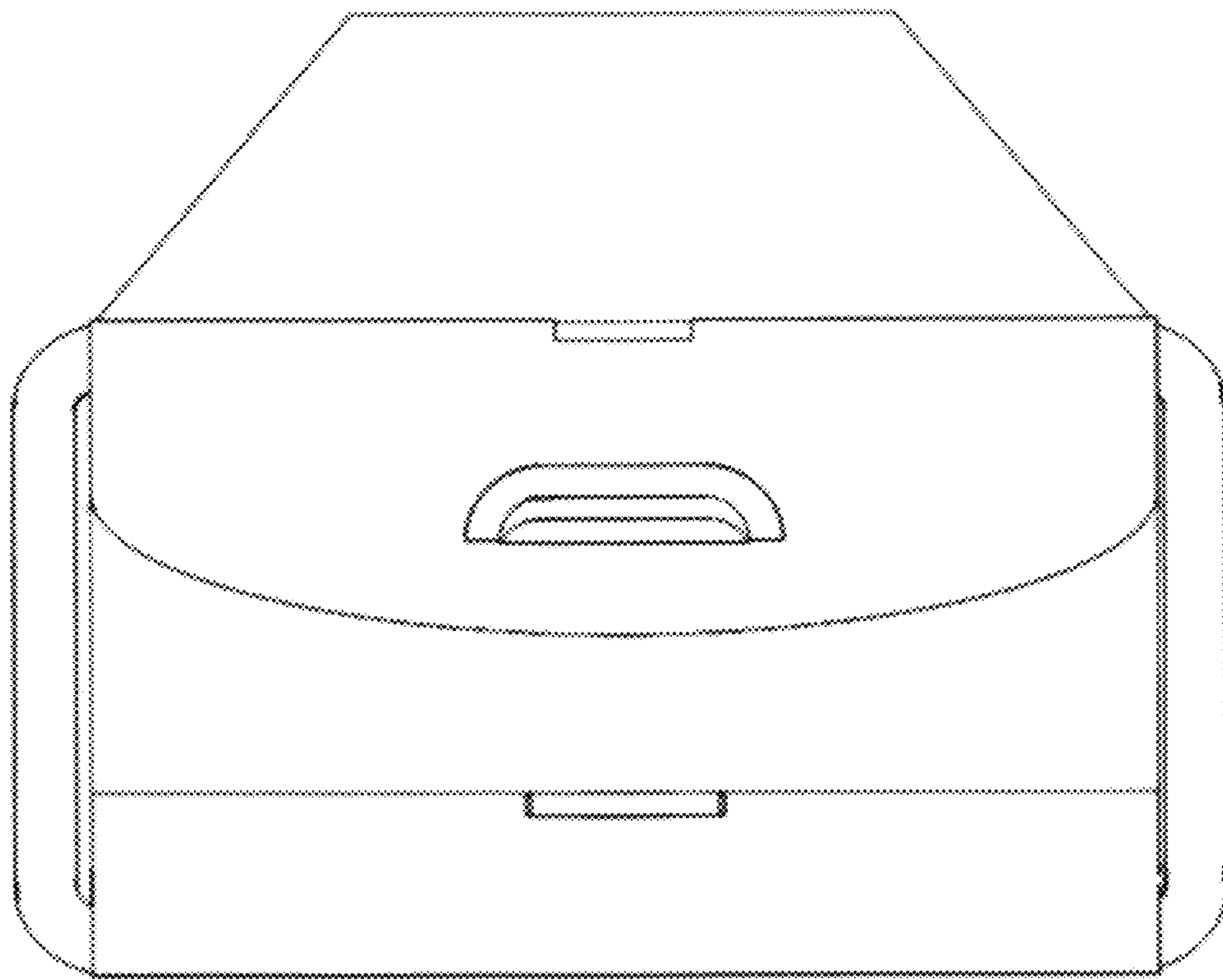
1.2



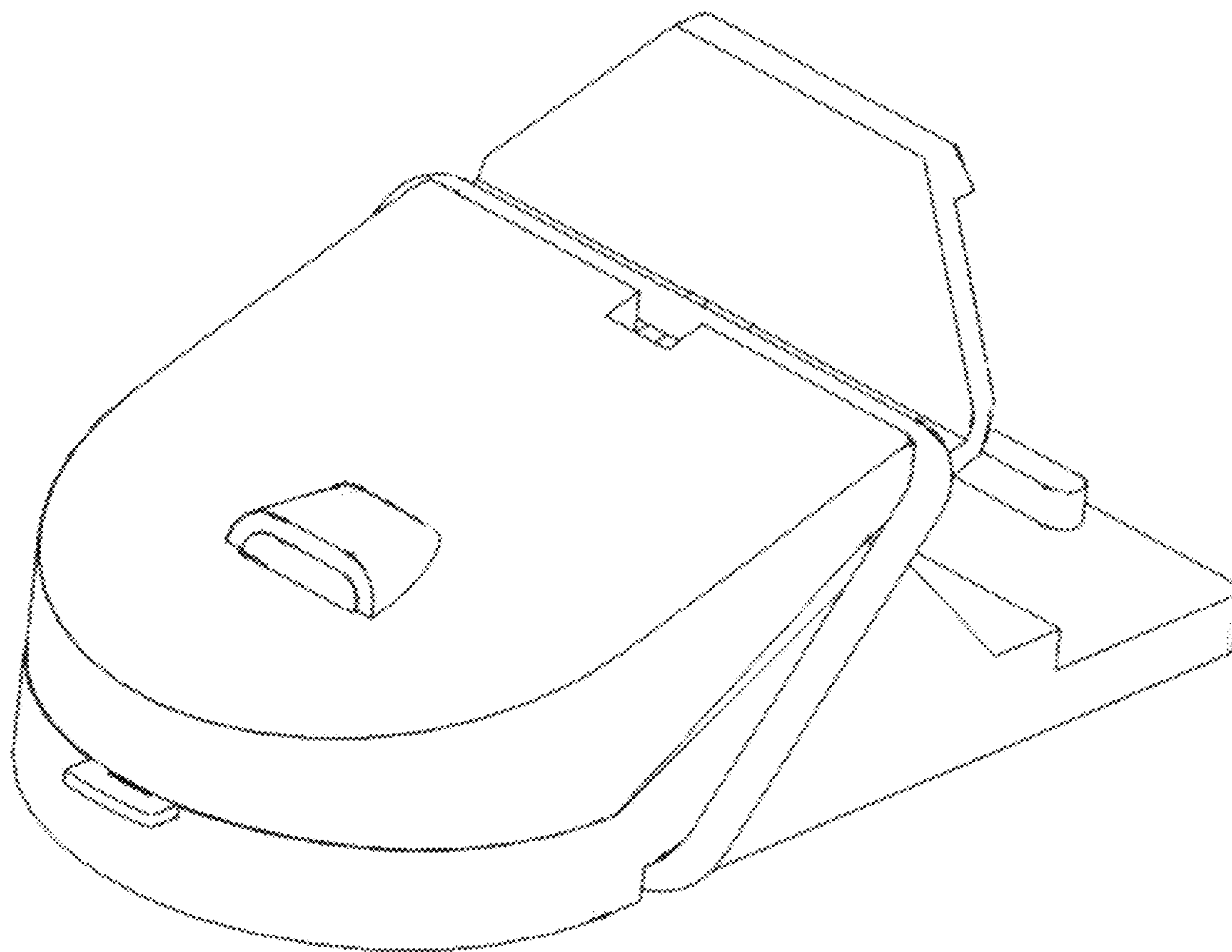
1.3



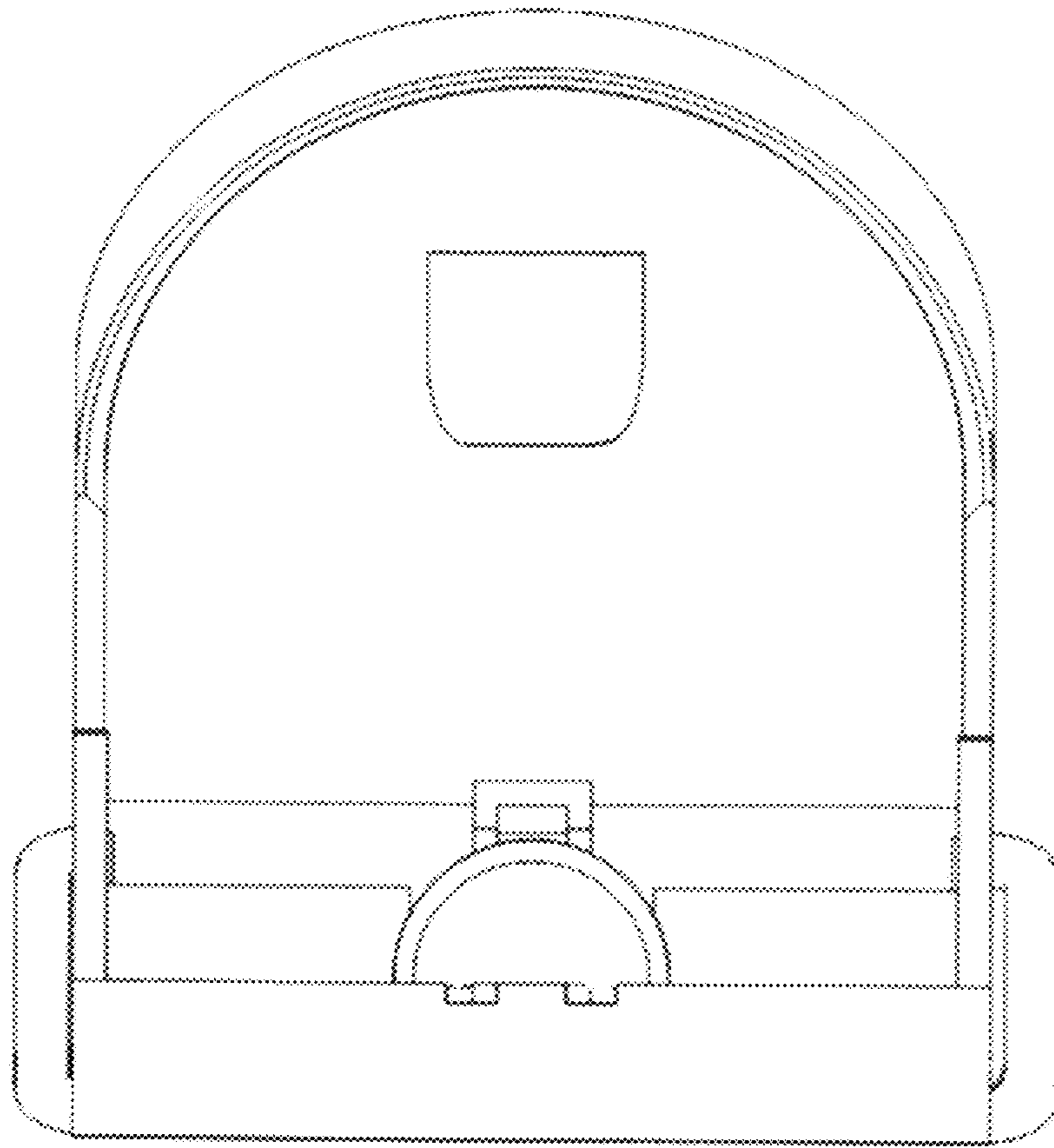
1.4



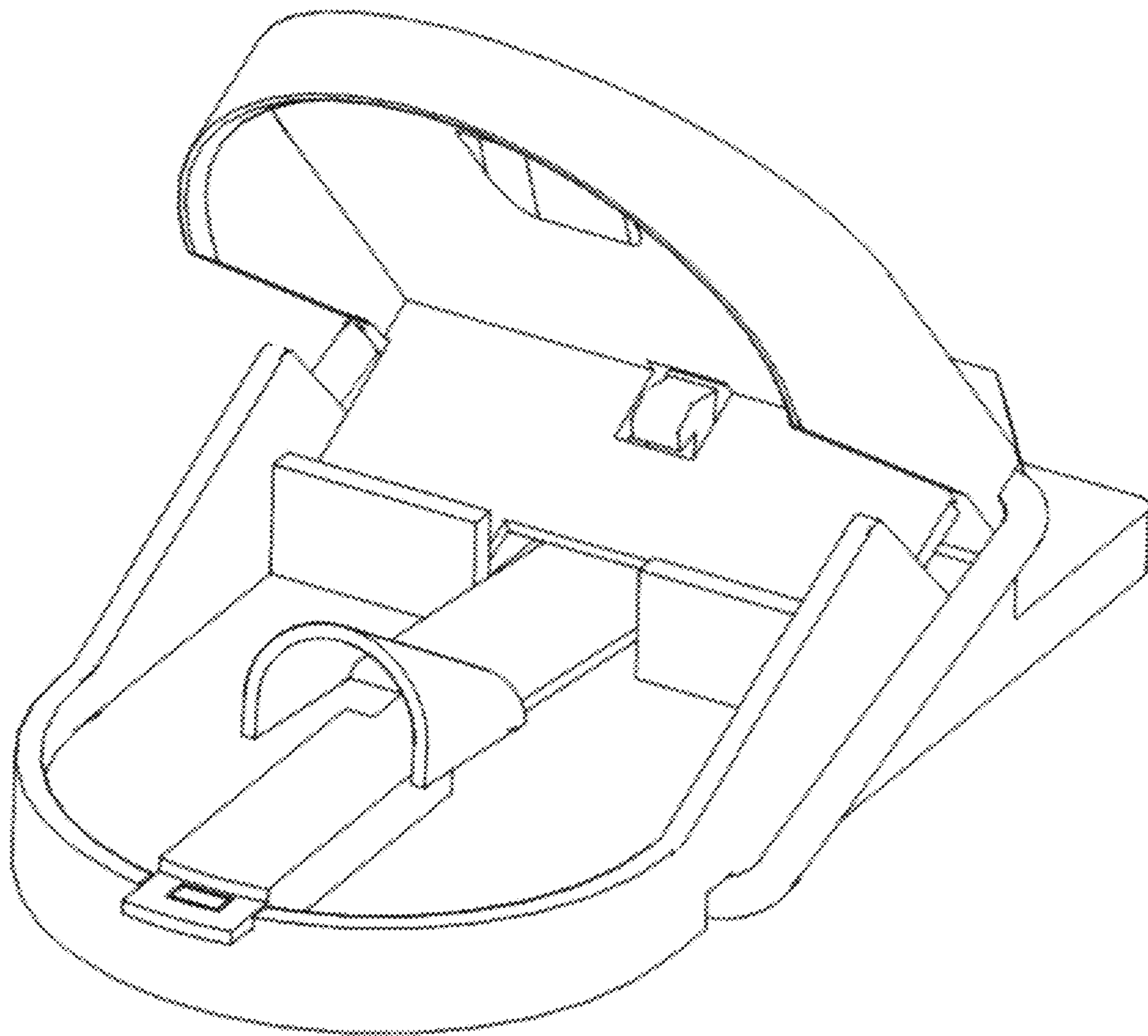
1.5



1.6

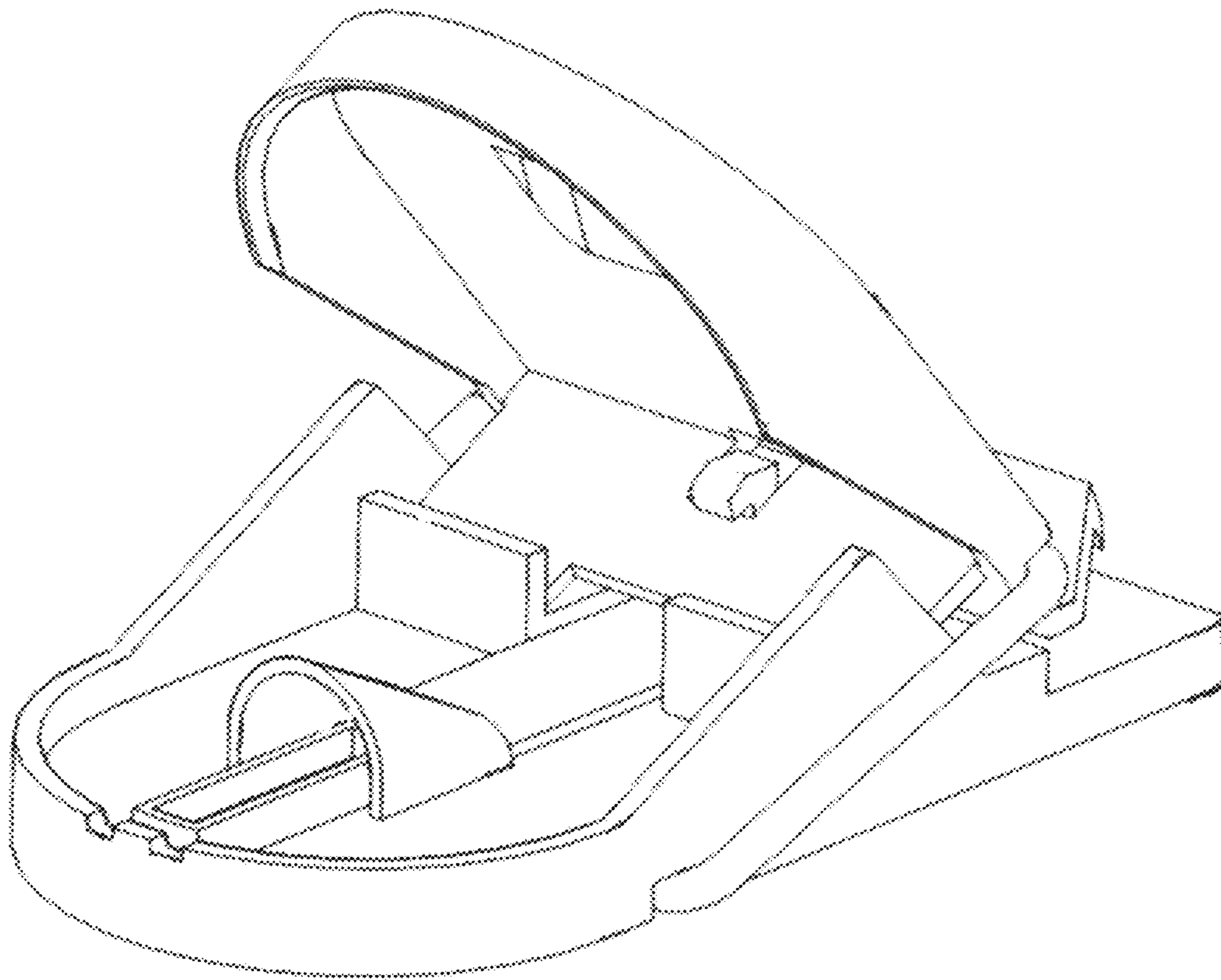


1.7

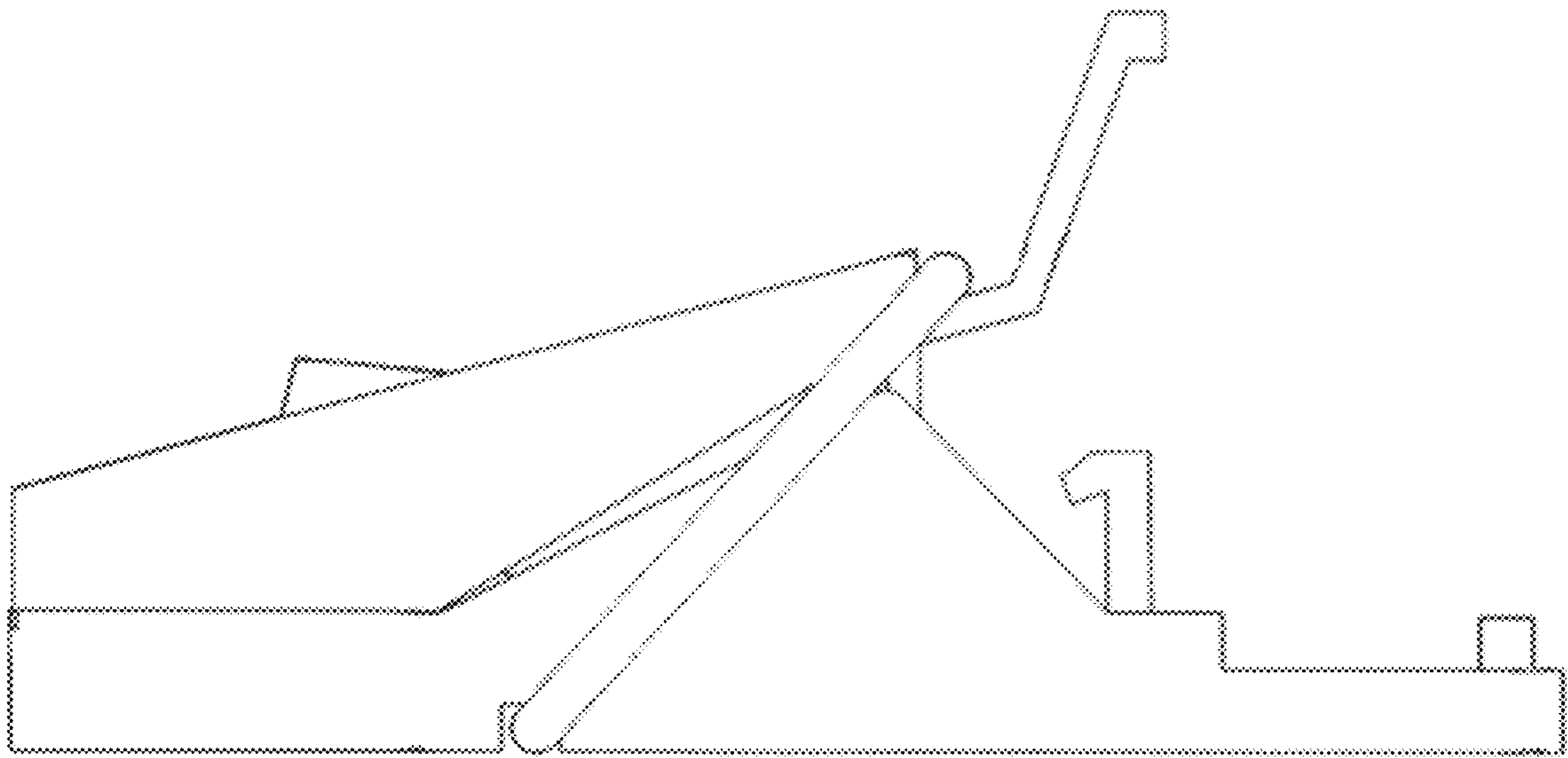




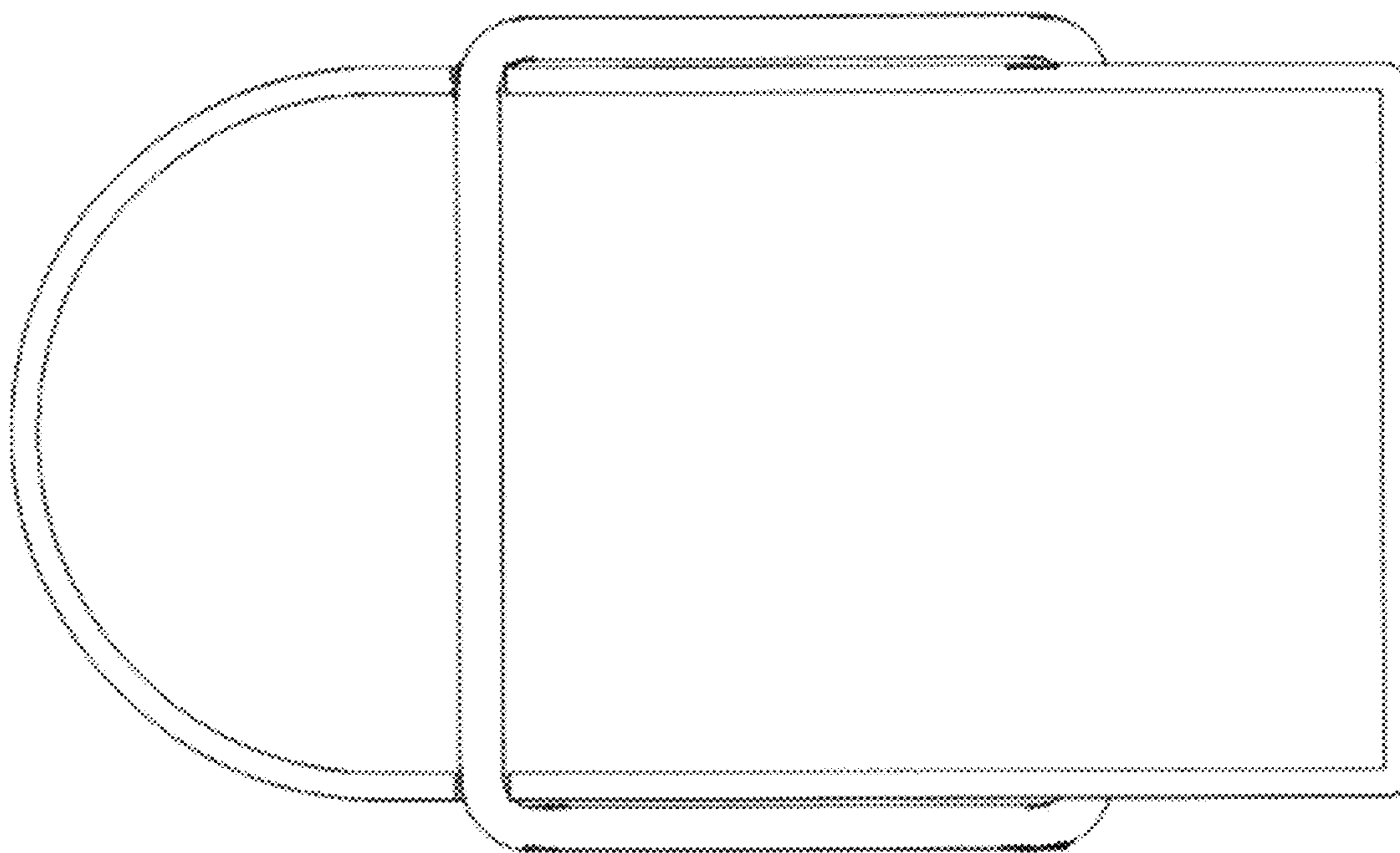
1.8



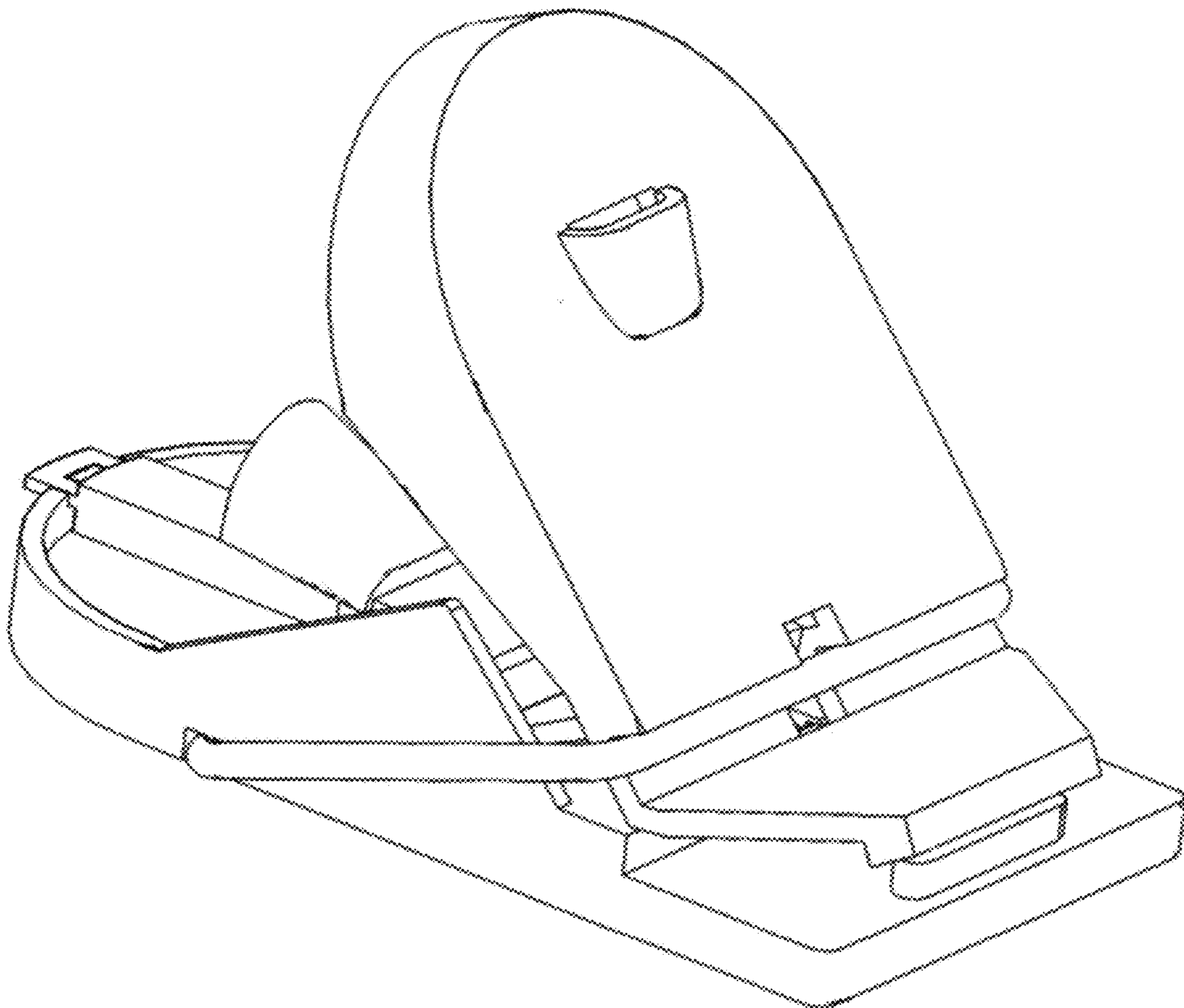
1.9



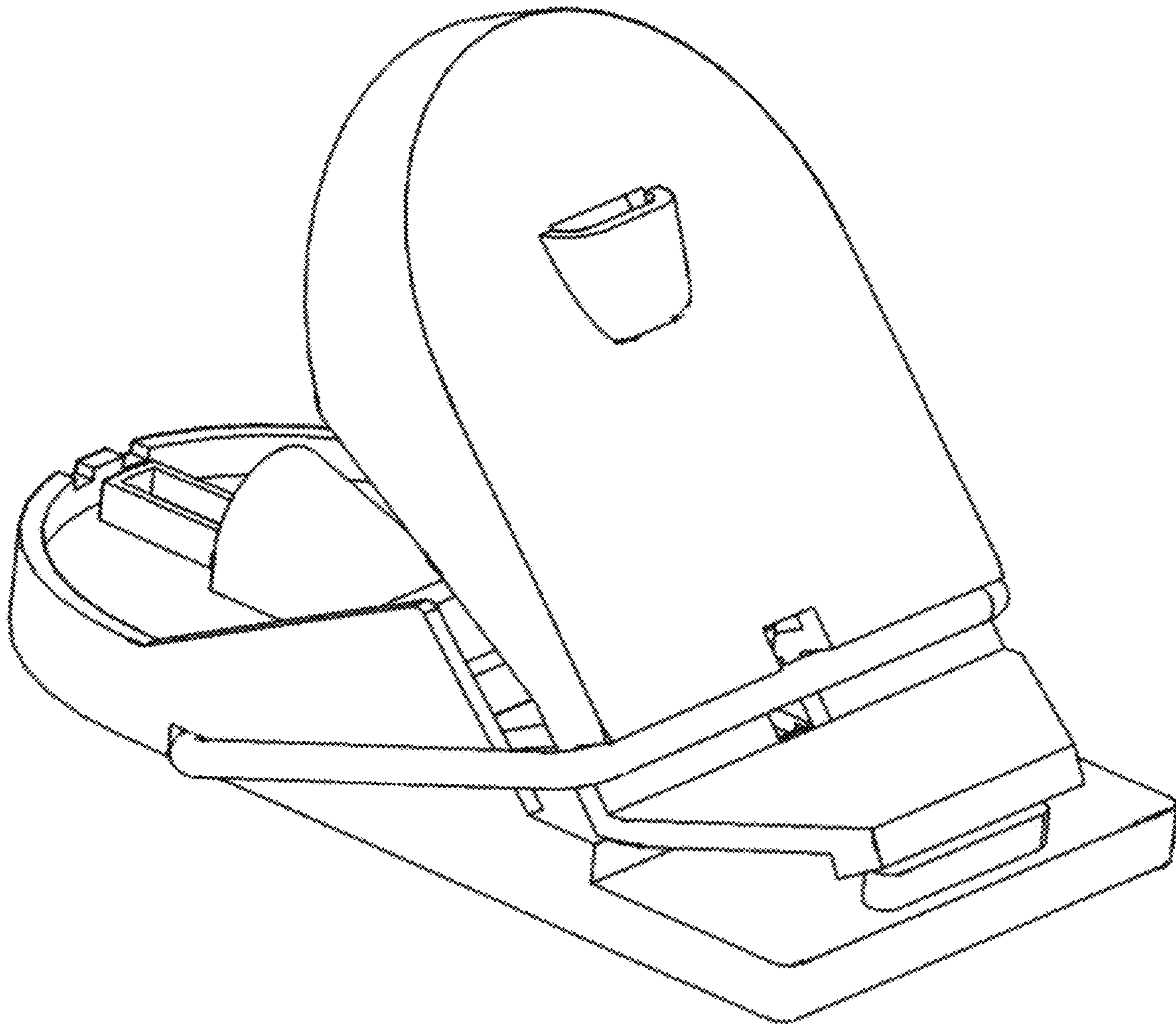
**1.10**



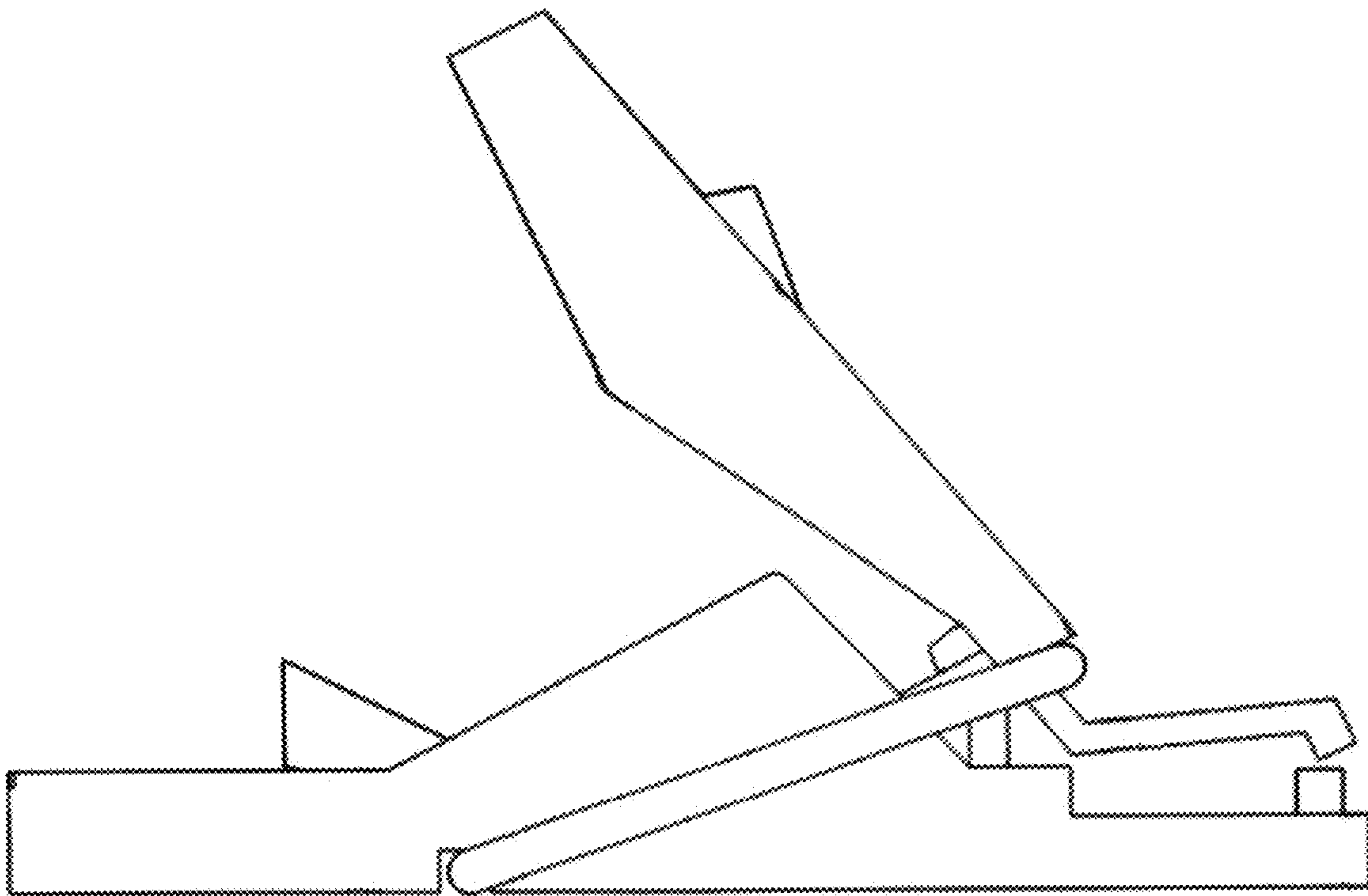
1.11



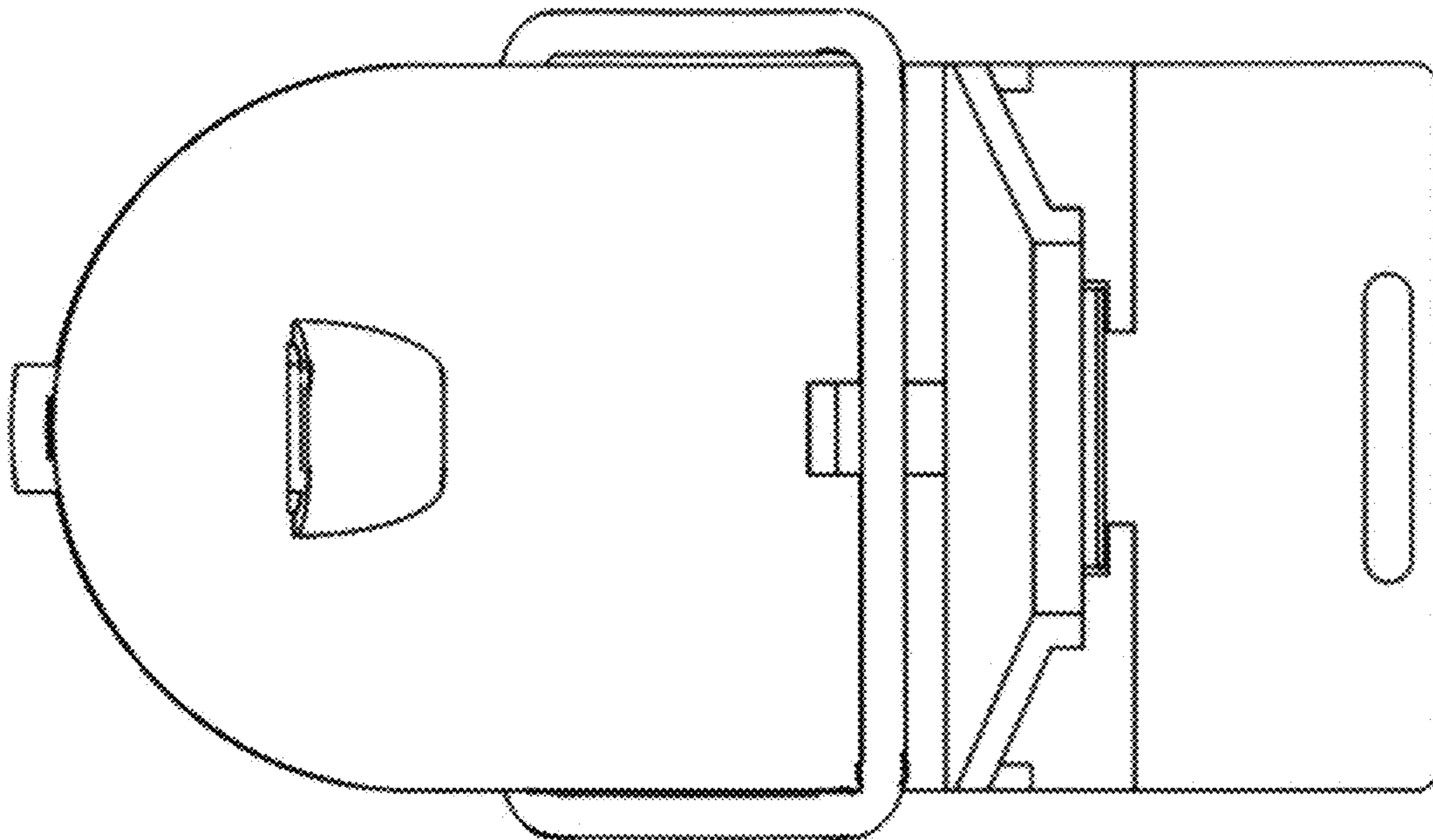
1.12



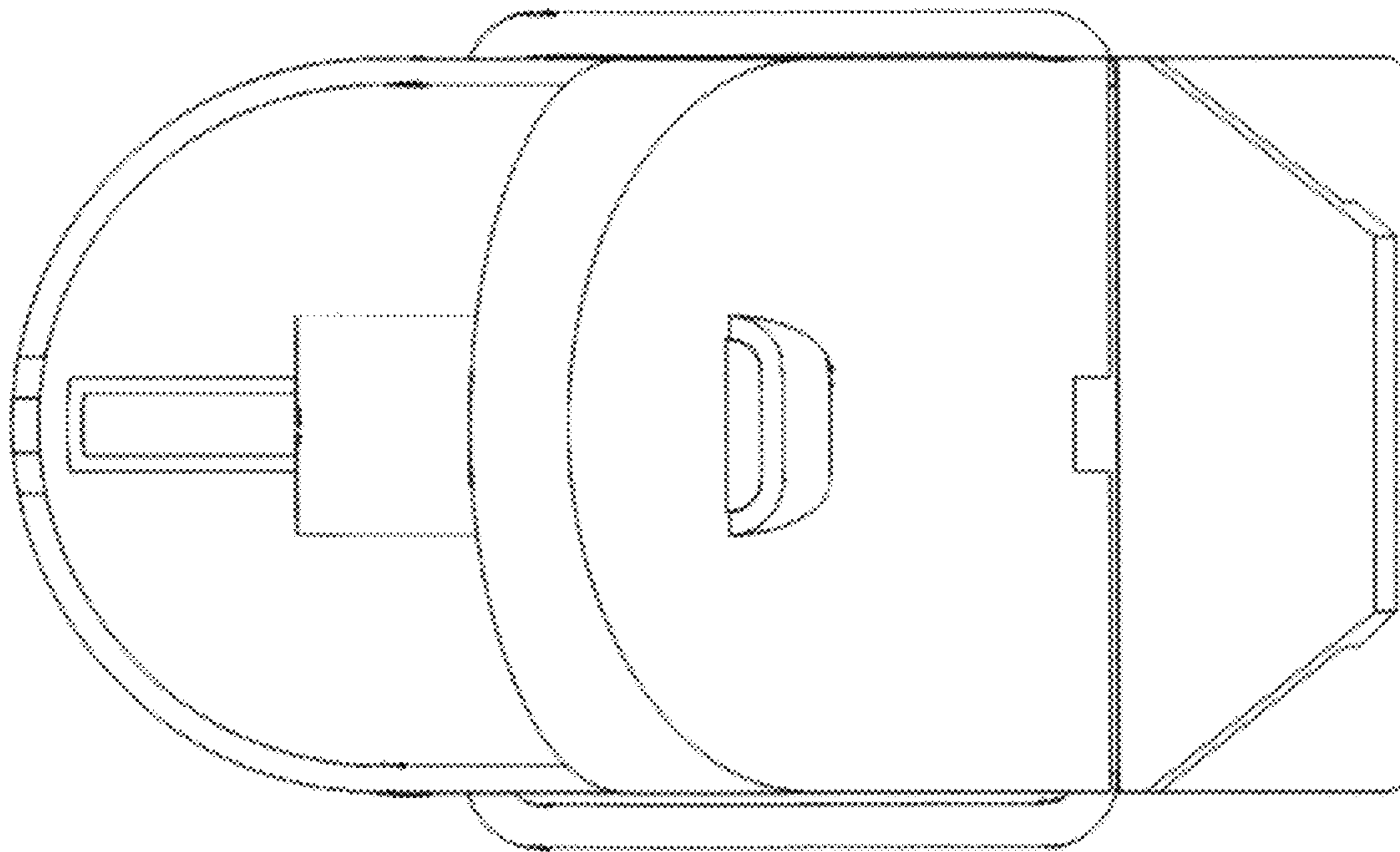
1.13



1.14

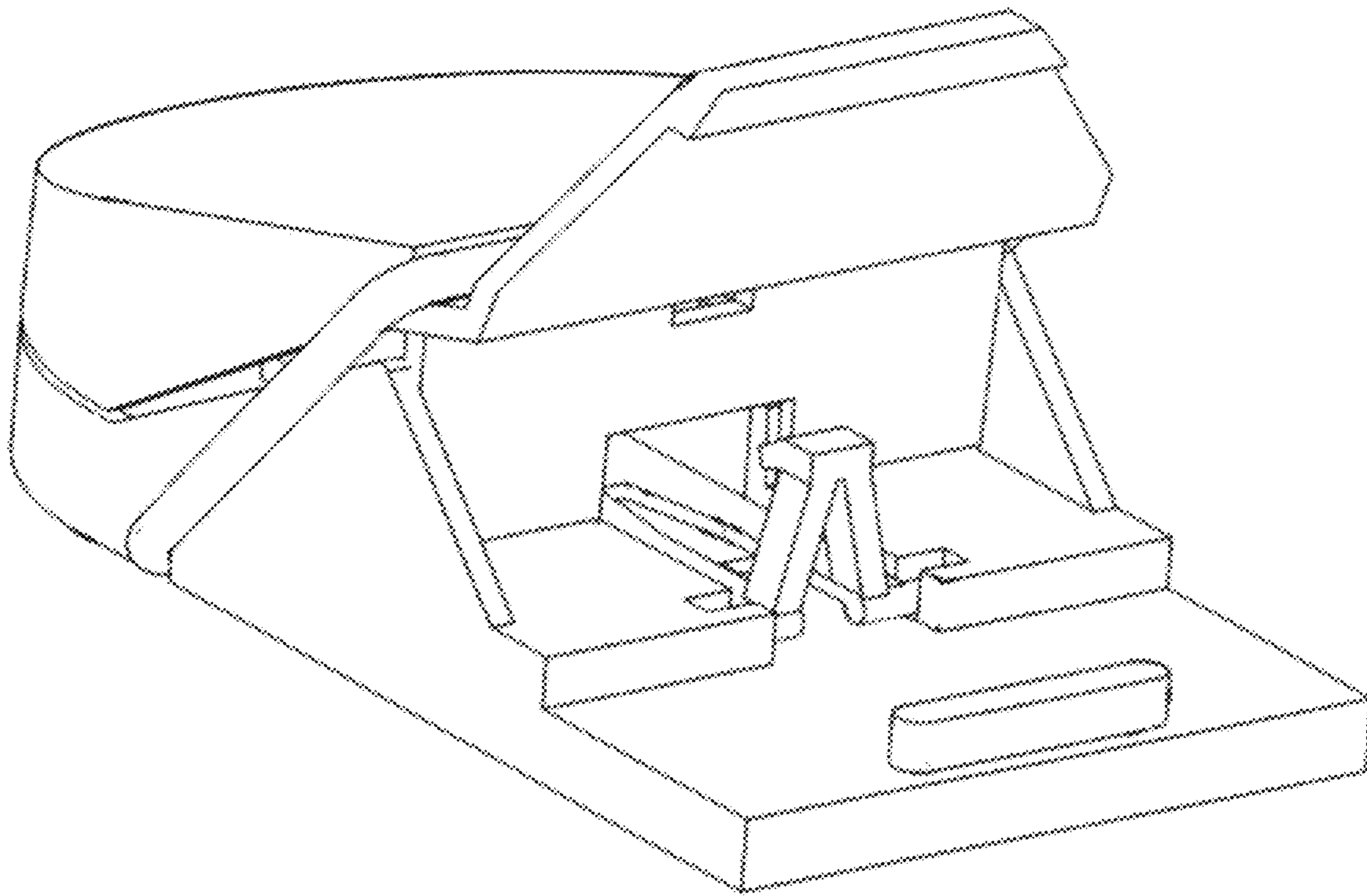


1.15

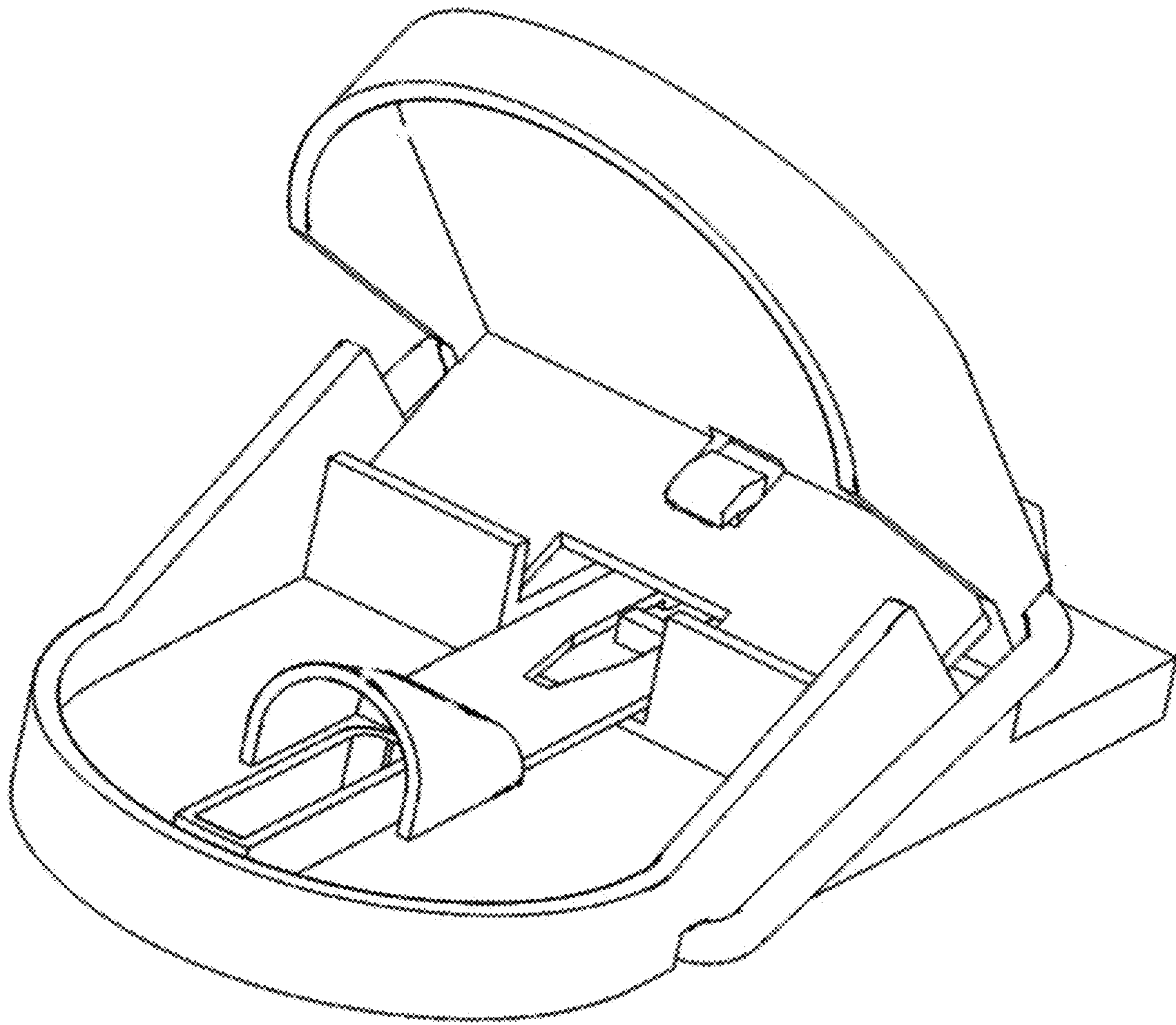




2.1



2.2



2.3

