

US00D863491S

(12) **United States Design Patent**
Fowke

(10) **Patent No.:** **US D863,491 S**
(45) **Date of Patent:** **** Oct. 15, 2019**

(54) **SHOOTING TARGET MOUNTING ASSEMBLY**

(71) Applicant: **James Desmond Fowke**, Hallett Cove (AU)

(72) Inventor: **James Desmond Fowke**, Hallett Cove (AU)

(**) Term: **15 Years**

(21) Appl. No.: **29/641,530**

(22) Filed: **Mar. 22, 2018**

(30) **Foreign Application Priority Data**

Sep. 26, 2017 (AU) 201715861

(51) **LOC (12) Cl.** **22-04**

(52) **U.S. Cl.**
USPC **D22/113; D22/199**

(58) **Field of Classification Search**
USPC **D22/113-114, 199; D21/790, 796; D8/349**

(Continued)

(56) **References Cited**

U.S. PATENT DOCUMENTS

3,955,800 A * 5/1976 Russo E04F 11/1817 256/59

D247,365 S * 2/1978 Rowlands D22/113
(Continued)

OTHER PUBLICATIONS

Centra Riser Block Set for Anschutz, posted at Champion's Choice, posting date Oct. 18, 2015. Site visited Apr. 10, 2019. URL: <<https://web.archive.org/web/20151018031632/http://www.champchoice.com/store/Main.aspx?p=ItemDetailOptions&item=19915901>> (Year: 2015).*

(Continued)

Primary Examiner — Kevin K Rudzinski

Assistant Examiner — Kathleen L Jones

(74) *Attorney, Agent, or Firm* — Sand, Sebolt & Wernow Co., LPA

(57) **CLAIM**

The ornamental design for a shooting target mounting assembly, as shown and described.

DESCRIPTION

FIG. 1 is a perspective view of a shooting target mounting assembly in accordance with my design;

FIG. 2 is an exploded perspective view of the shooting target mounting assembly of FIG. 1, showing the upper member and lower member thereof separated for clarity of illustration;

FIG. 3 is a top plan view of the shooting target mounting assembly of FIG. 1;

FIG. 4 is a first end elevation view of the shooting target mounting assembly of FIG. 1; a second end elevation view being a mirror image thereof;

FIG. 5 is a first side elevation view of the shooting target mounting assembly of FIG. 1;

FIG. 6 is a bottom plan view of the shooting target mounting assembly of FIG. 1;

FIG. 7 is a second side elevation view of the shooting target mounting assembly of FIG. 1;

FIG. 8 is a top plan view of the upper member of the shooting target mounting assembly of FIG. 2 shown separately for clarity of illustration;

FIG. 9 is a first end elevation view of the upper member of the shooting target mounting assembly of FIG. 2 shown separately for clarity of illustration; the second end elevation view being a mirror image thereof;

FIG. 10 is a first side elevation view of the upper member of the shooting target mounting assembly of FIG. 2 shown separately for clarity of illustration;

FIG. 11 is a bottom plan view of the upper member of the shooting target mounting assembly of FIG. 2 shown separately for clarity of illustration;

FIG. 12 is a second side elevation view of the upper member of the shooting target mounting assembly of FIG. 2 shown separately for clarity of illustration;

(Continued)

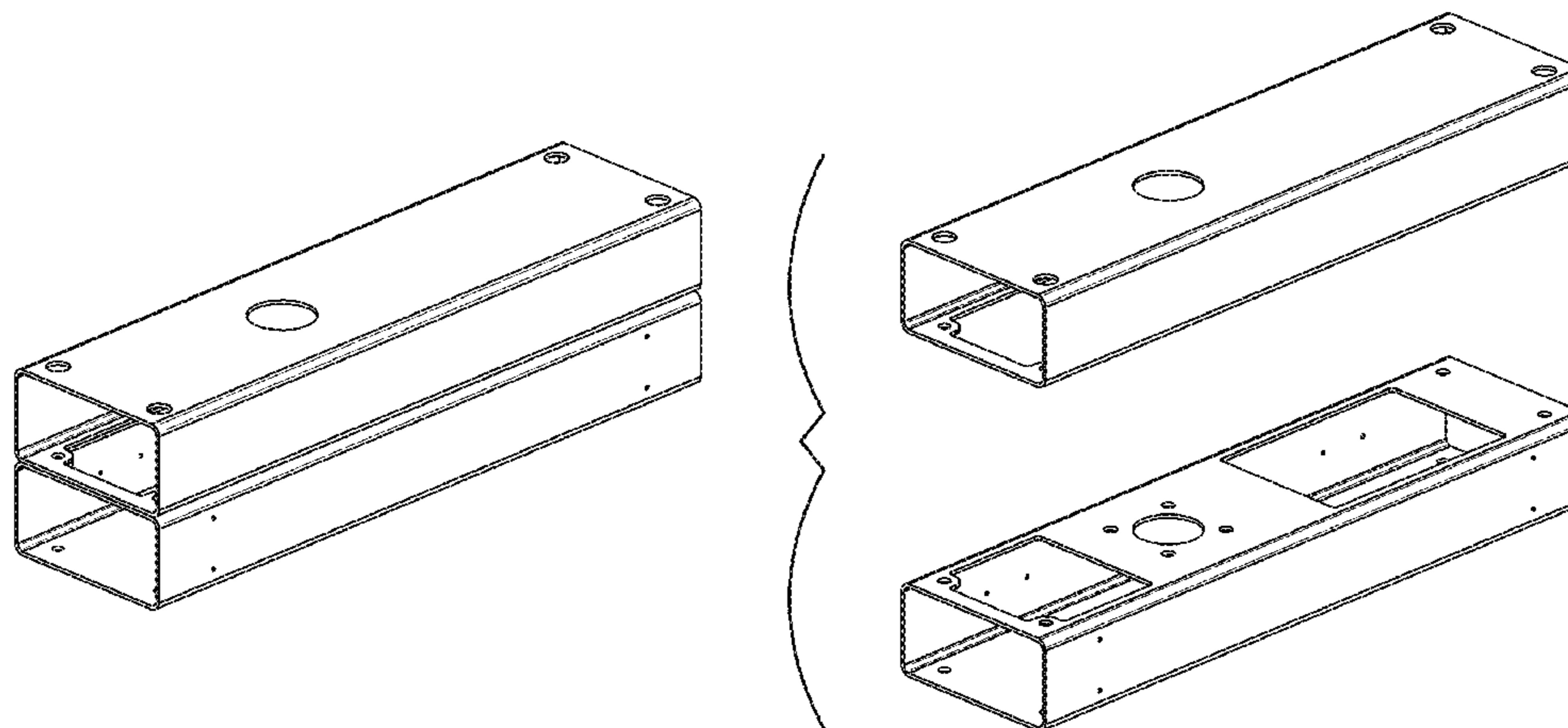


FIG. 13 is a top plan view of the lower member of the shooting target mounting assembly of FIG. 2 shown separately for clarity of illustration;

FIG. 14 is a first end elevation view of the lower member of the shooting target mounting assembly of FIG. 2 shown separately for clarity of illustration; the second end elevation view being a mirror image thereof;

FIG. 15 is a first side elevation view of the lower member of the shooting target mounting assembly of FIG. 2 shown separately for clarity of illustration;

FIG. 16 is a bottom plan view of the lower member of the shooting target mounting assembly of FIG. 2 shown separately for clarity of illustration; and,

FIG. 17 is a second side elevation view of the lower member of the shooting target mounting assembly of FIG. 2 shown separately for clarity of illustration.

1 Claim, 4 Drawing Sheets

(58) **Field of Classification Search**

CPC F41J 1/10; F41J 1/00; F41J 5/14; F41J 3/0004

See application file for complete search history.

(56) **References Cited**

U.S. PATENT DOCUMENTS

D346,639 S * 5/1994 Smith D22/199
 5,458,389 A * 10/1995 Young B60R 9/06
 224/402
 D373,169 S * 8/1996 Kokko D22/100
 D389,154 S * 1/1998 Williamson D14/229
 D390,091 S * 2/1998 Munger D8/349

D401,303 S * 11/1998 McComb, Jr. D22/114
 D407,135 S * 3/1999 DeWitt D22/100
 6,290,213 B1 * 9/2001 Laird E04F 11/181
 256/65.05
 D515,168 S * 2/2006 Ruhland D22/108
 D719,239 S * 12/2014 Woller D22/199
 9,429,397 B1 * 8/2016 Hill F41J 5/06
 D773,006 S * 11/2016 Stark D22/113
 D773,007 S * 11/2016 Stark D22/113
 9,689,647 B1 * 6/2017 Dolgoff F41J 1/10
 D847,936 S * 5/2019 Tension D22/113
 D849,443 S * 5/2019 Hurley D6/552
 10,295,314 B2 * 5/2019 Anderson F41J 7/02
 10,295,315 B2 * 5/2019 Harris F41J 7/00
 2002/0197106 A1 * 12/2002 Wu F16B 7/042
 403/329
 2006/0244239 A1 * 11/2006 McGriff B60D 1/07
 280/475
 2008/0029669 A1 * 2/2008 Olah B60R 11/0229
 248/276.1
 2009/0315265 A1 * 12/2009 Ball F41J 1/10
 273/407
 2015/0198425 A1 * 7/2015 Doria F41J 3/0004
 273/403
 2015/0276356 A1 * 10/2015 Cesternino F41J 9/02
 273/370
 2015/0292842 A1 * 10/2015 Pixton F41J 1/10
 273/407
 2018/0202777 A1 * 7/2018 Green F41J 7/06
 2018/0364014 A1 * 12/2018 Oliphant F41J 1/10
 2019/0084469 A1 * 3/2019 Rasmussen B60P 3/39

OTHER PUBLICATIONS

Rimfire Popper Target, posted at Sportsman's Guide, review posted 2013. Site visited Apr. 10, 2019. URL: <<https://www.sportsmansguide.com/product/index/rimfire-popper-target?a=1616732>> (Year: 2013).*

* cited by examiner

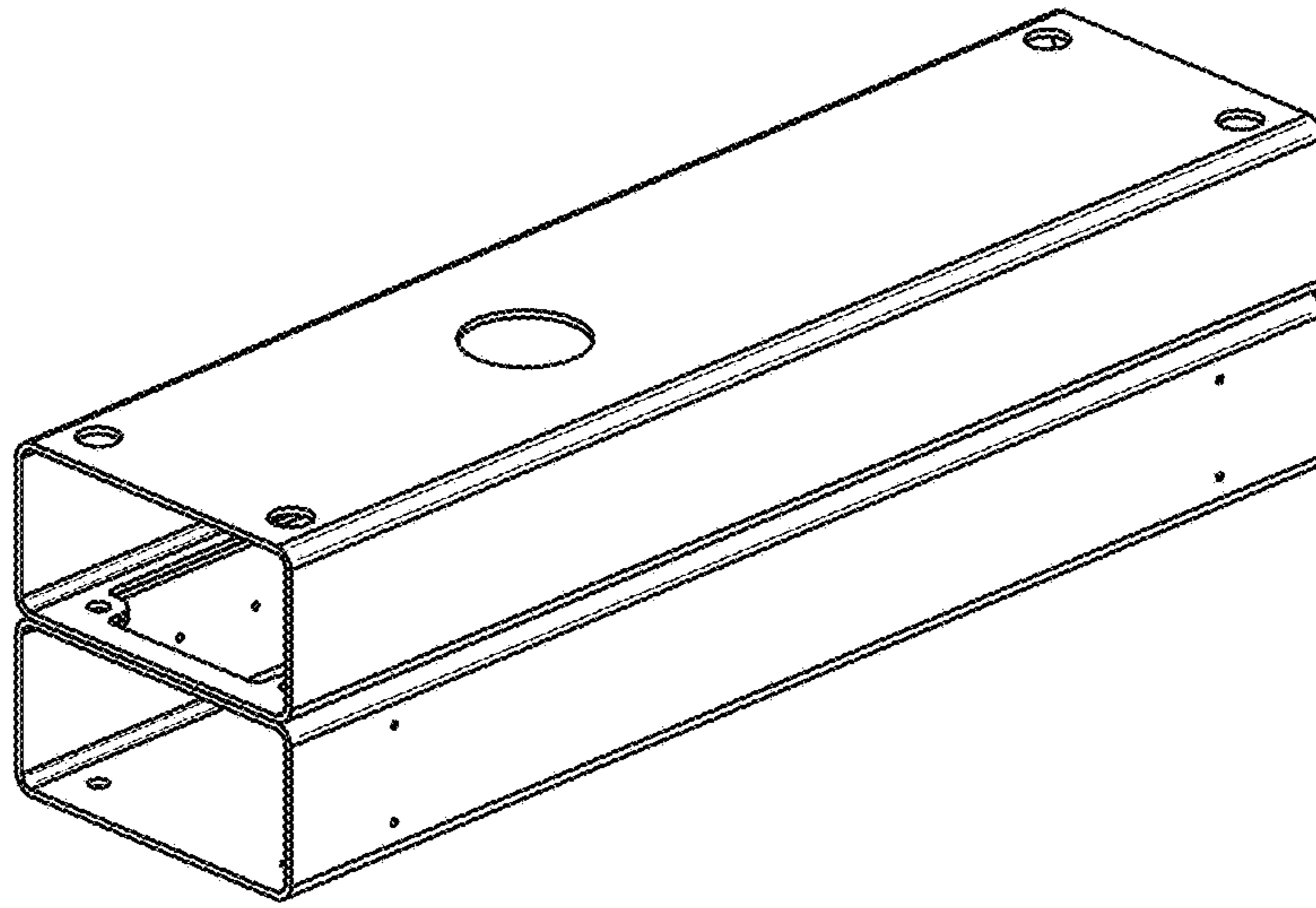


FIGURE 1

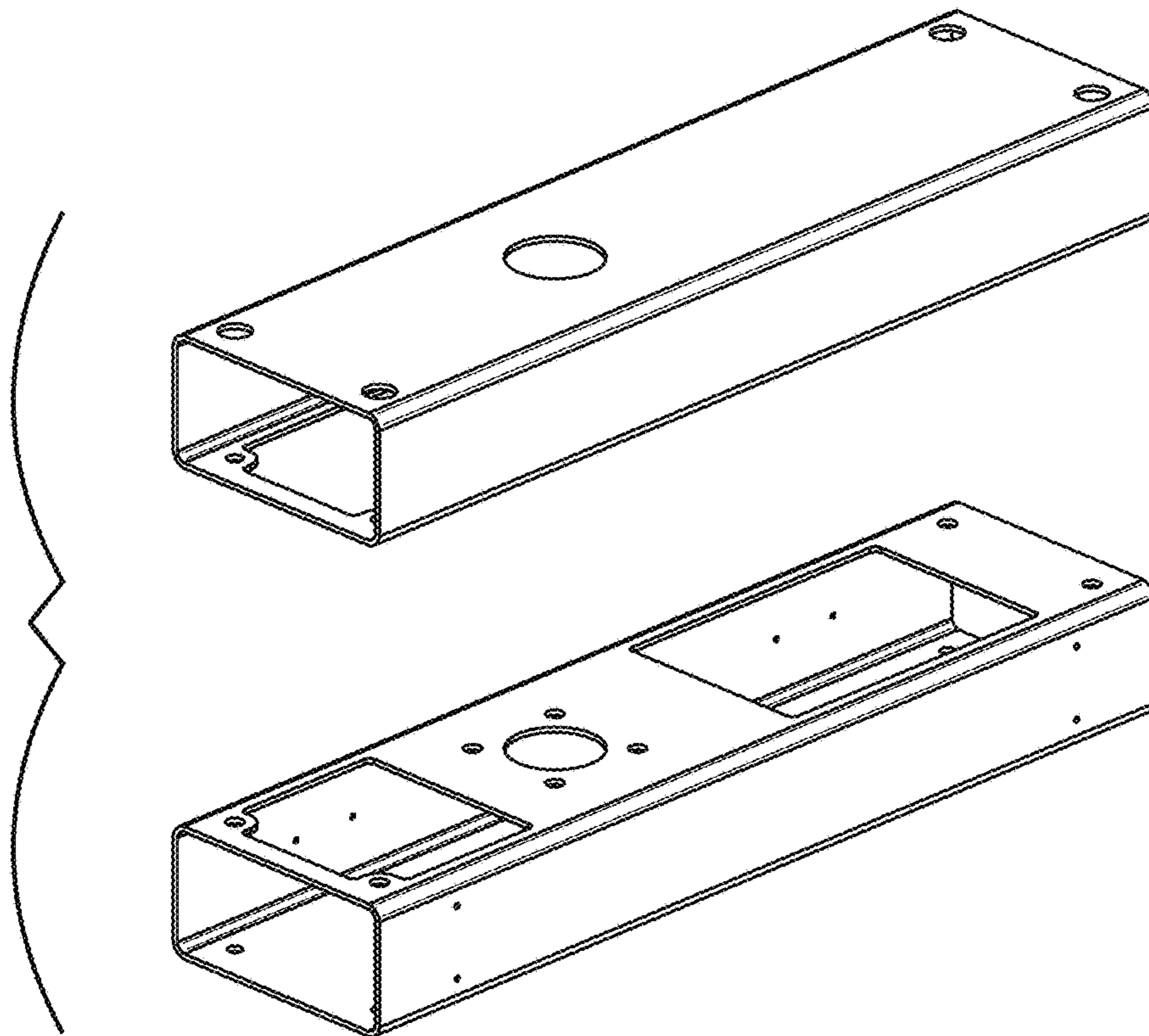


FIGURE 2

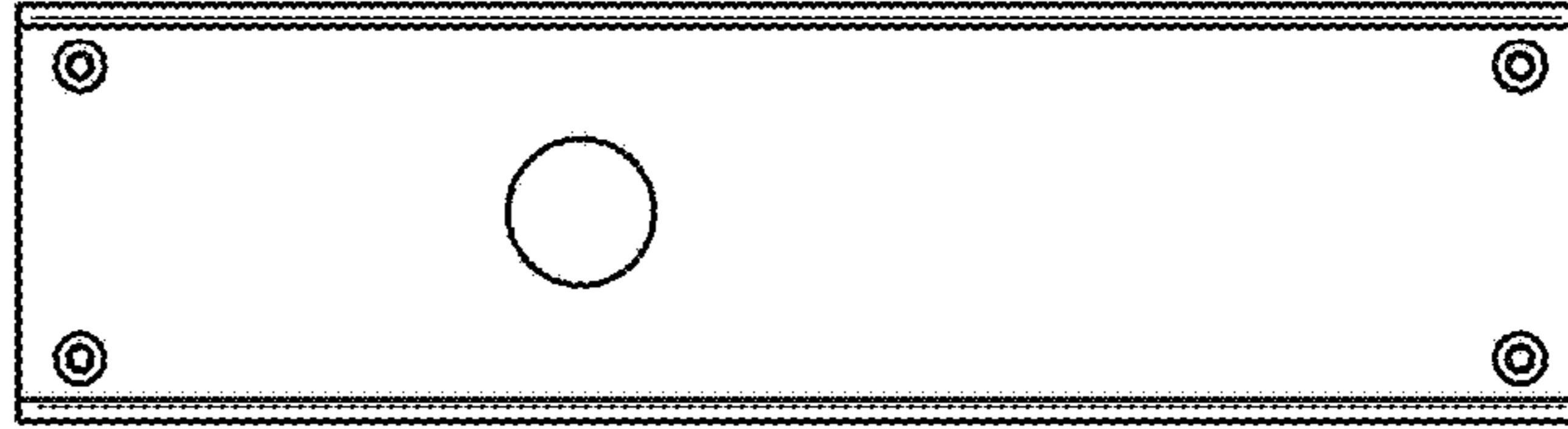


FIGURE 3

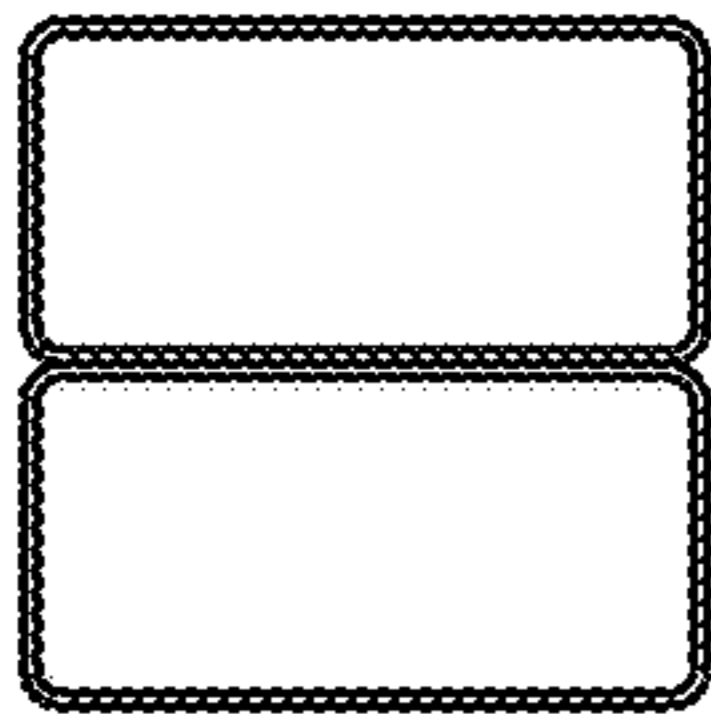


FIGURE 4

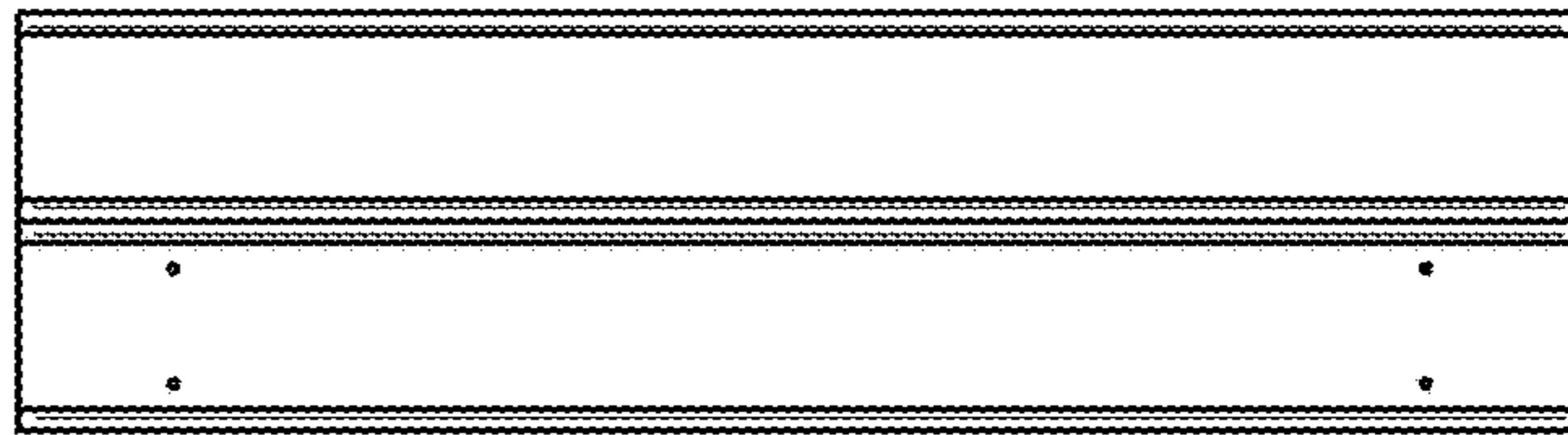


FIGURE 5



FIGURE 6

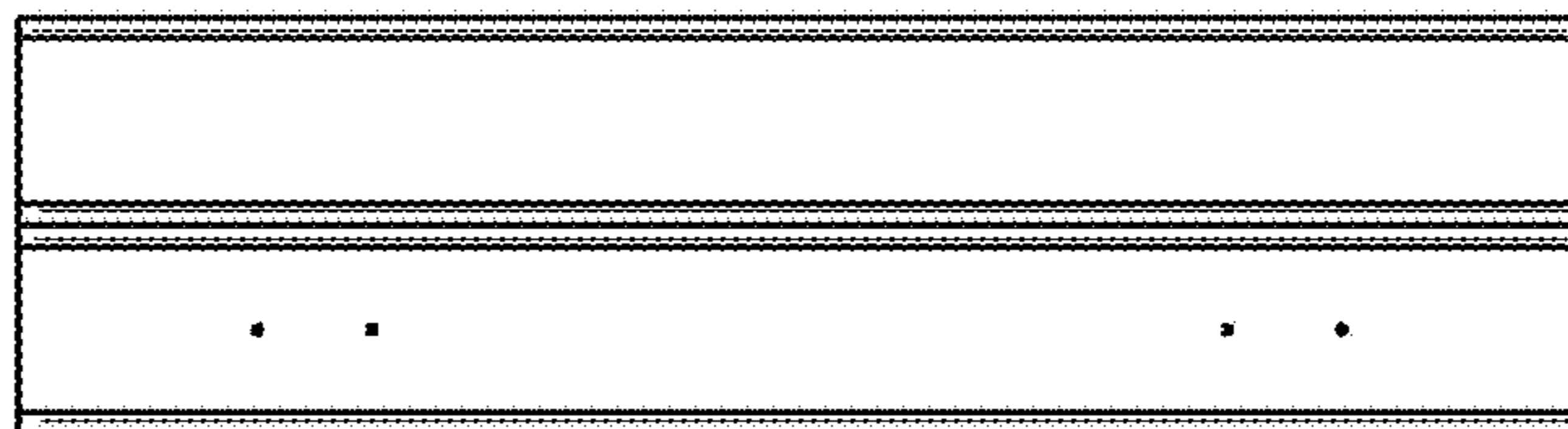


FIGURE 7

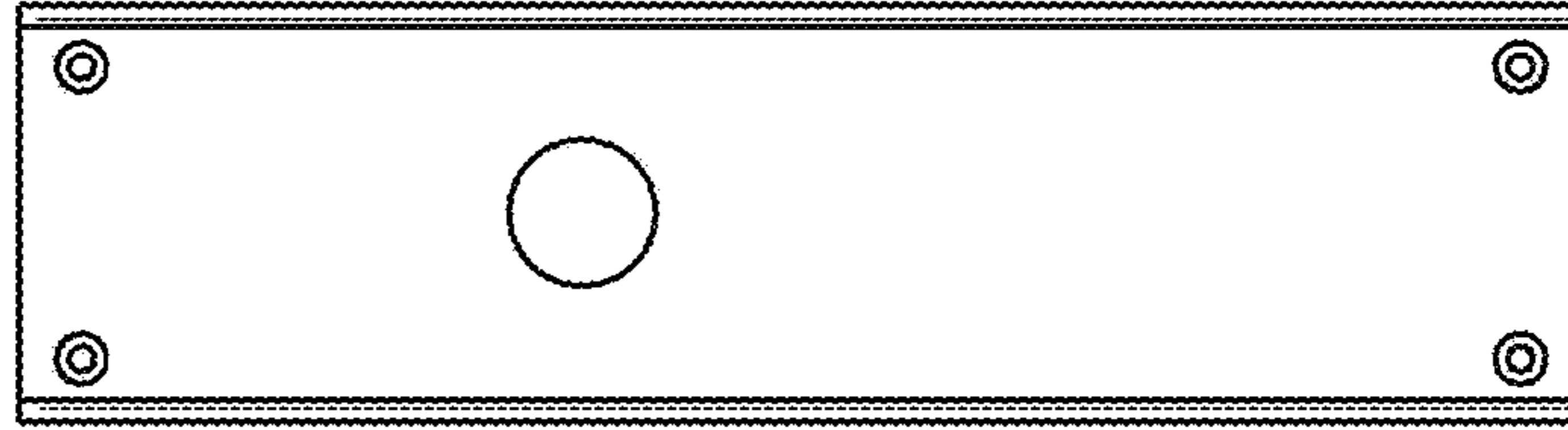


FIGURE 8



FIGURE 9



FIGURE 10

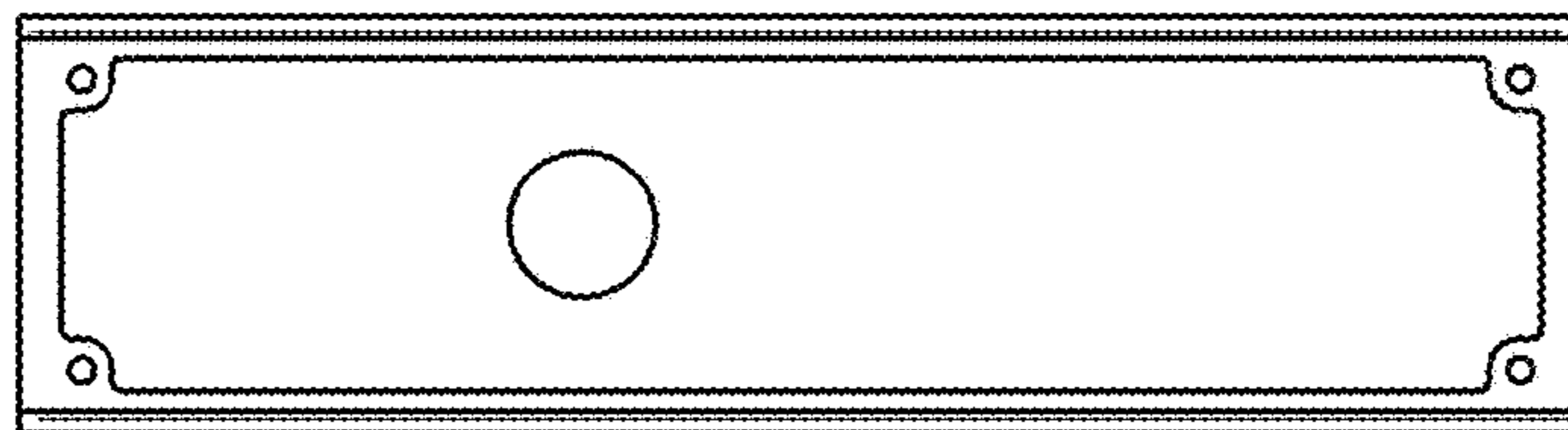


FIGURE 11



FIGURE 12

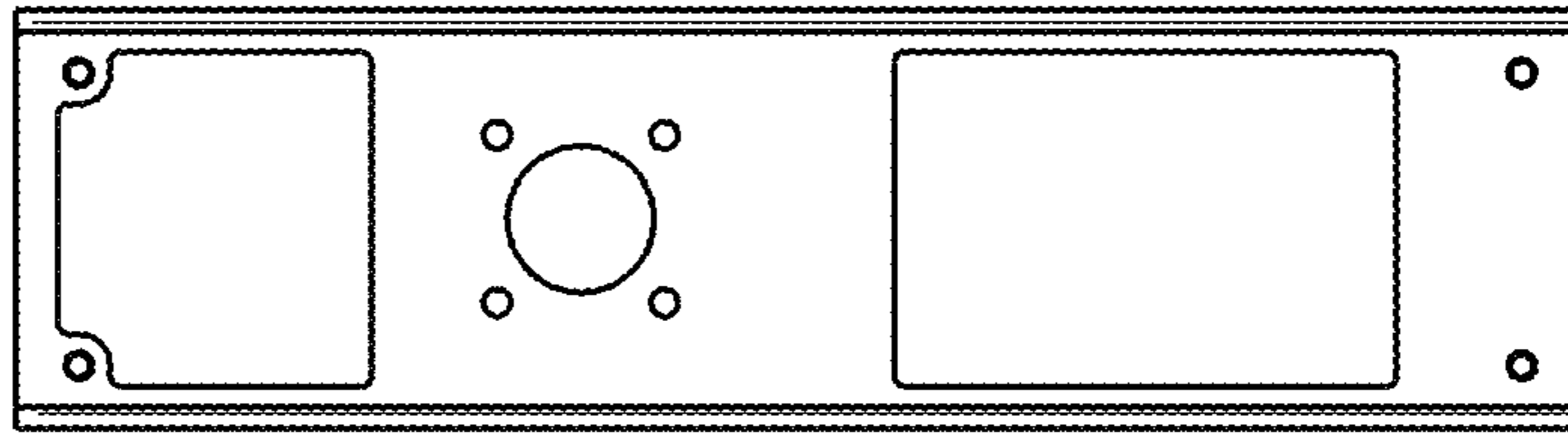


FIGURE 13



FIGURE 14



FIGURE 15



FIGURE 16



FIGURE 17