



US00D863486S

(12) **United States Design Patent**  
**Blackwood et al.**

(10) **Patent No.:** **US D863,486 S**  
(45) **Date of Patent:** **\*\* Oct. 15, 2019**

(54) **SWING SEAT**

FOREIGN PATENT DOCUMENTS

(71) Applicant: **PlayCore Wisconsin, Inc.**,  
Chattanooga, TN (US)

EP 2067510 6/2009

(72) Inventors: **Kim Corvin Blackwood**, Boaz, AL  
(US); **Thomas Robert Norquist**, Fort  
Payne, AL (US); **Brian K. Henry**, Fort  
Payne, AL (US)

OTHER PUBLICATIONS

Lee Ji-Sun swing picture from Pinterest, printed on May 8, 2013.

(73) Assignee: **PLAYCORE WISCONSIN, INC.**,  
Chattanooga, TN (US)

*Primary Examiner* — Mitchell I. Siegel

(74) *Attorney, Agent, or Firm* — McAndrews, Held &  
Malloy, Ltd.

(\*\*) Term: **15 Years**

(57) **CLAIM**

The ornamental design for a swing seat, as shown and  
described.

(21) Appl. No.: **29/634,440**

(22) Filed: **Jan. 22, 2018**

**DESCRIPTION**

(51) **LOC (12) Cl.** ..... **21-02**

(52) **U.S. Cl.**  
USPC ..... **D21/823**

(58) **Field of Classification Search**  
USPC ..... D21/811, 814, 822–825  
CPC ..... A63G 9/00–9/22  
See application file for complete search history.

(56) **References Cited**

U.S. PATENT DOCUMENTS

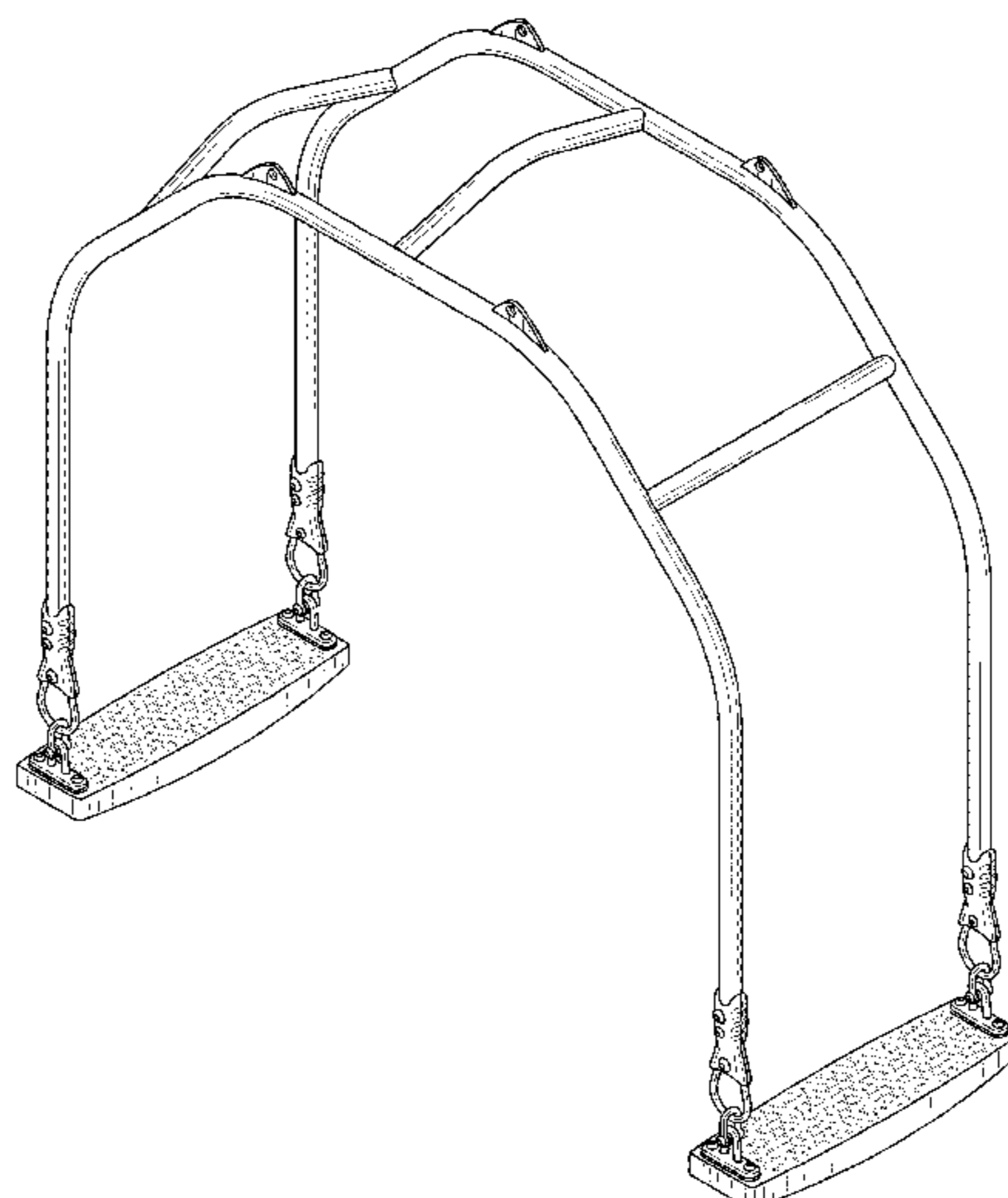
317,028	A *	5/1885	Shields	.....	B64D 11/06 297/245
383,533	A	5/1888	Bettes		
383,553	A *	5/1888	Bettes	.....	A47D 13/10 472/123
623,254	A *	4/1899	McGlamery	.....	A47D 11/005 297/7
868,640	A *	10/1907	Buch	.....	A47C 3/0255 297/278
1,886,904	A	11/1932	Rice		
2,358,098	A	9/1944	Pippin		
2,524,967	A	10/1950	Ellis		
3,011,825	A *	12/1961	Hannas	.....	A63G 9/00 297/245

FIG. 1 is top, front, right side perspective view of a first  
embodiment of a swing seat showing our new design;  
FIG. 2 is a left side elevational view thereof;  
FIG. 3 is a right side elevational view thereof;  
FIG. 4 is a front elevational view thereof;  
FIG. 5 is a rear elevational view thereof;  
FIG. 6 is a top plan view thereof;  
FIG. 7 is a bottom plan view thereof;  
FIG. 8 is a top, front, right side perspective view thereof;  
FIG. 9 is a top, front, right side perspective view of a second  
embodiment of a swing seat showing our new design;  
FIG. 10 is a left side elevational view of FIG. 9;  
FIG. 11 is a right side elevational view of FIG. 9;  
FIG. 12 is a front elevational view of FIG. 9;  
FIG. 13 is a rear elevational view of FIG. 9;  
FIG. 14 is a top plan view of FIG. 9;  
FIG. 15 is a bottom plan view of FIG. 9; and,  
FIG. 16 is a top, front, right side perspective view of FIG.  
9.

The broken lines shown on the drawing figures are included  
for the purpose of illustrating unclaimed subject matter and  
forms no part of the claimed design.

(Continued)

**1 Claim, 12 Drawing Sheets**



(56)

References Cited

U.S. PATENT DOCUMENTS

3,825,299	A *	7/1974	Gaucher	.....	A47C 3/0255	297/157.1					
3,918,709	A	11/1975	Bishop								
4,256,300	A	3/1981	Boucher								
4,417,725	A *	11/1983	Van Horn	.....	A63G 9/00	428/542.2					
4,570,928	A *	2/1986	Smith	.....	A63G 9/20	472/120					
D289,541	S *	4/1987	Forester	.....	D21/829						
4,699,423	A	10/1987	Fitzig et al.								
D315,775	S *	3/1991	Jones	.....	D21/823						
D340,275	S *	10/1993	Haun	.....	D21/823						
D341,948	S *	12/1993	Nolan	.....	D6/337						
5,344,212	A	9/1994	Muller et al.								
D355,013	S *	1/1995	Schechner	.....	D21/823						
5,875,779	A	3/1999	Fuhrman et al.								
D428,638	S *	7/2000	Tucker	.....	D21/830						
6,482,096	B1 *	11/2002	Rieber	.....	A63G 9/00	472/118					
6,994,631	B1 *	2/2006	Habing	.....	A47C 3/0255	297/245					
D529,981	S *	10/2006	Tseng	.....	D21/823						
7,300,355	B1 *	11/2007	Hense	.....	A63G 9/04	472/118					
D591,004	S	4/2009	Rickman								
7,578,746	B1	8/2009	Johnson								
D724,167	S *	3/2015	Barker	.....	D21/823						
9,061,213	B2 *	6/2015	Hsu	.....	A63G 9/00						
9,084,940	B2 *	7/2015	Norquist	.....	A47D 13/00						
D769,393	S *	10/2016	Chen	.....	D21/823						
9,468,296	B1 *	10/2016	Chen	.....	A63G 9/00						
9,511,296	B2 *	12/2016	Bertschy	.....	A63G 9/00						
D778,381	S *	2/2017	Bertschy	.....	D21/823						
D810,853	S *	2/2018	Bertschy	.....	D21/823						
2005/0107173	A1	5/2005	Pelletier								
2009/0131184	A1	5/2009	Pizmony								

\* cited by examiner

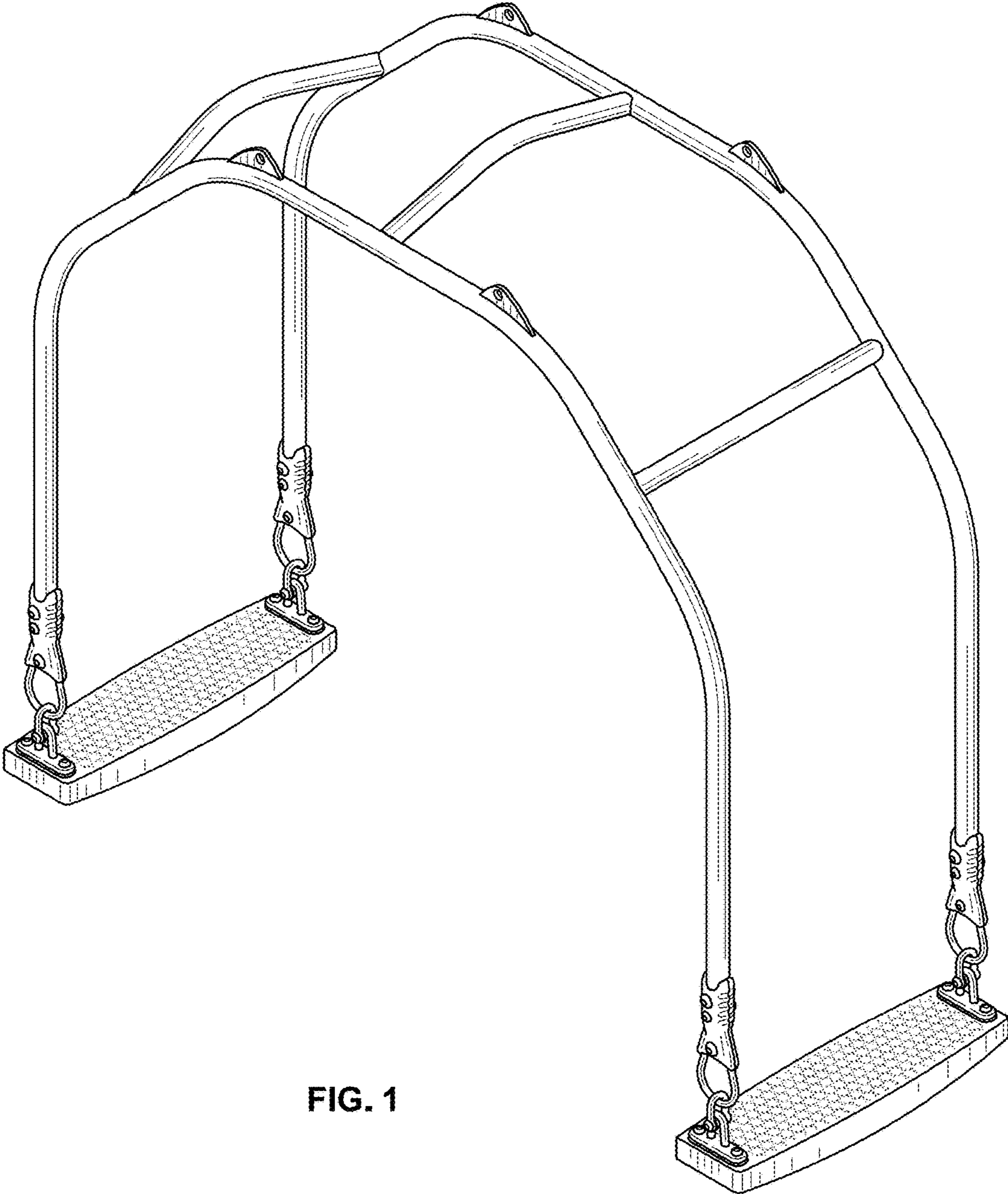


FIG. 1

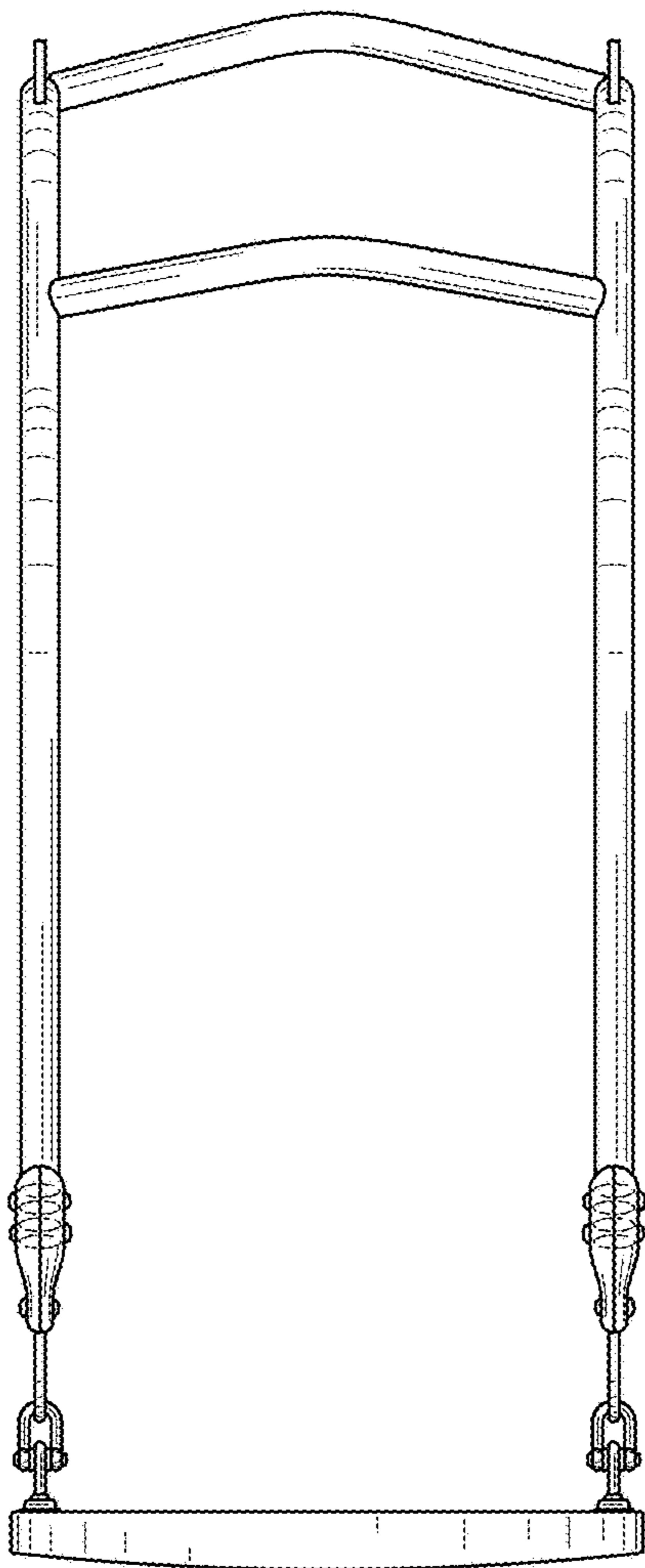


FIG. 2

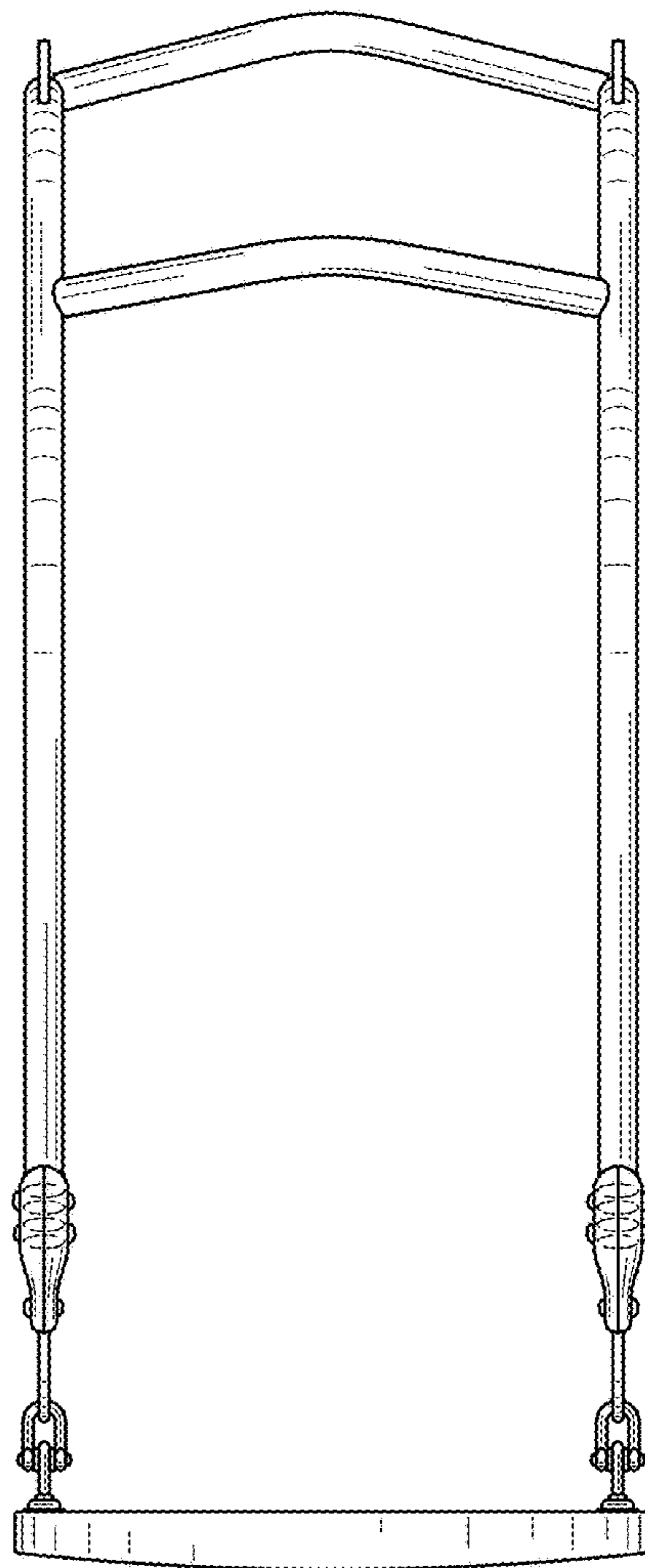


FIG. 3

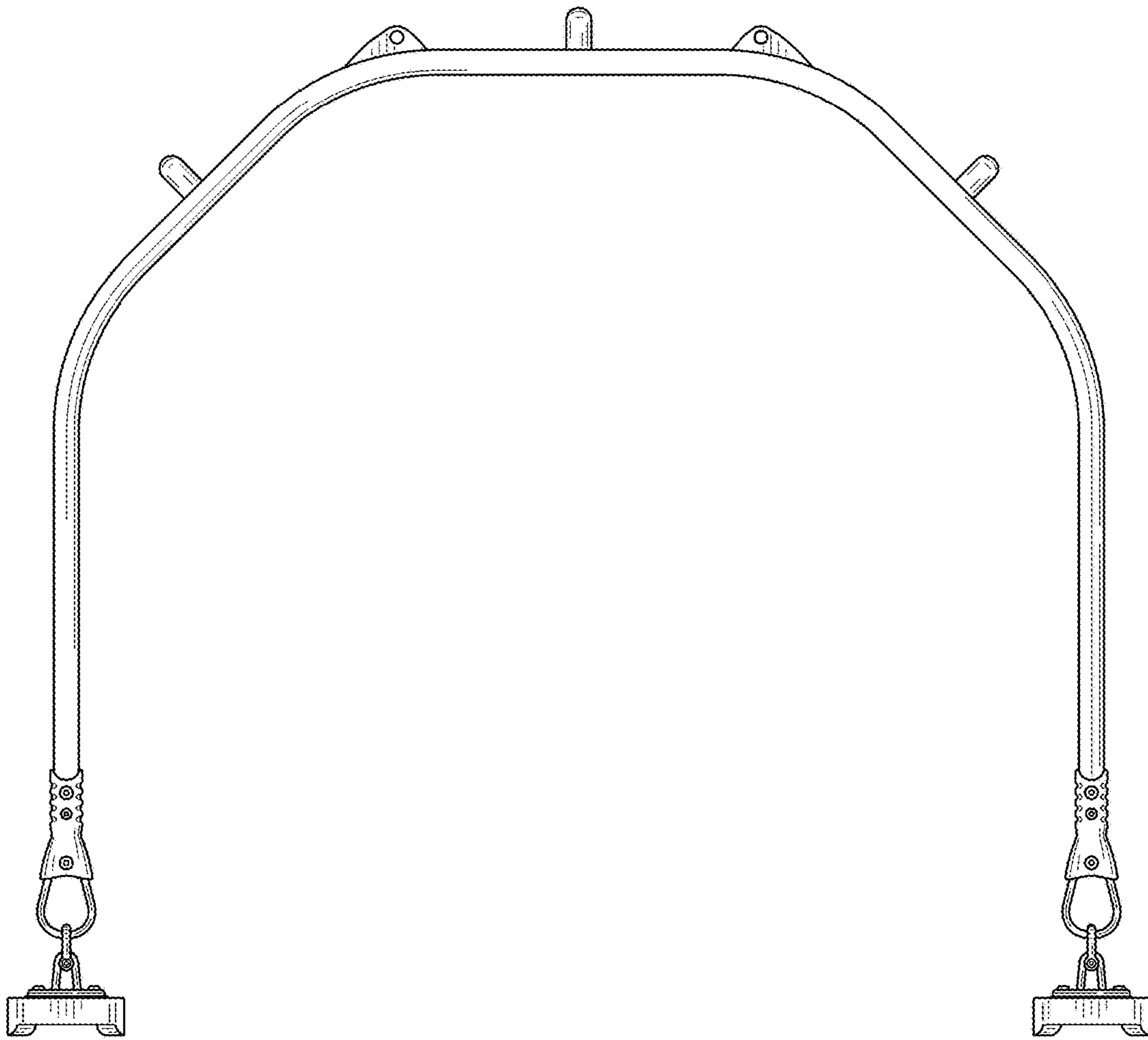


FIG. 4

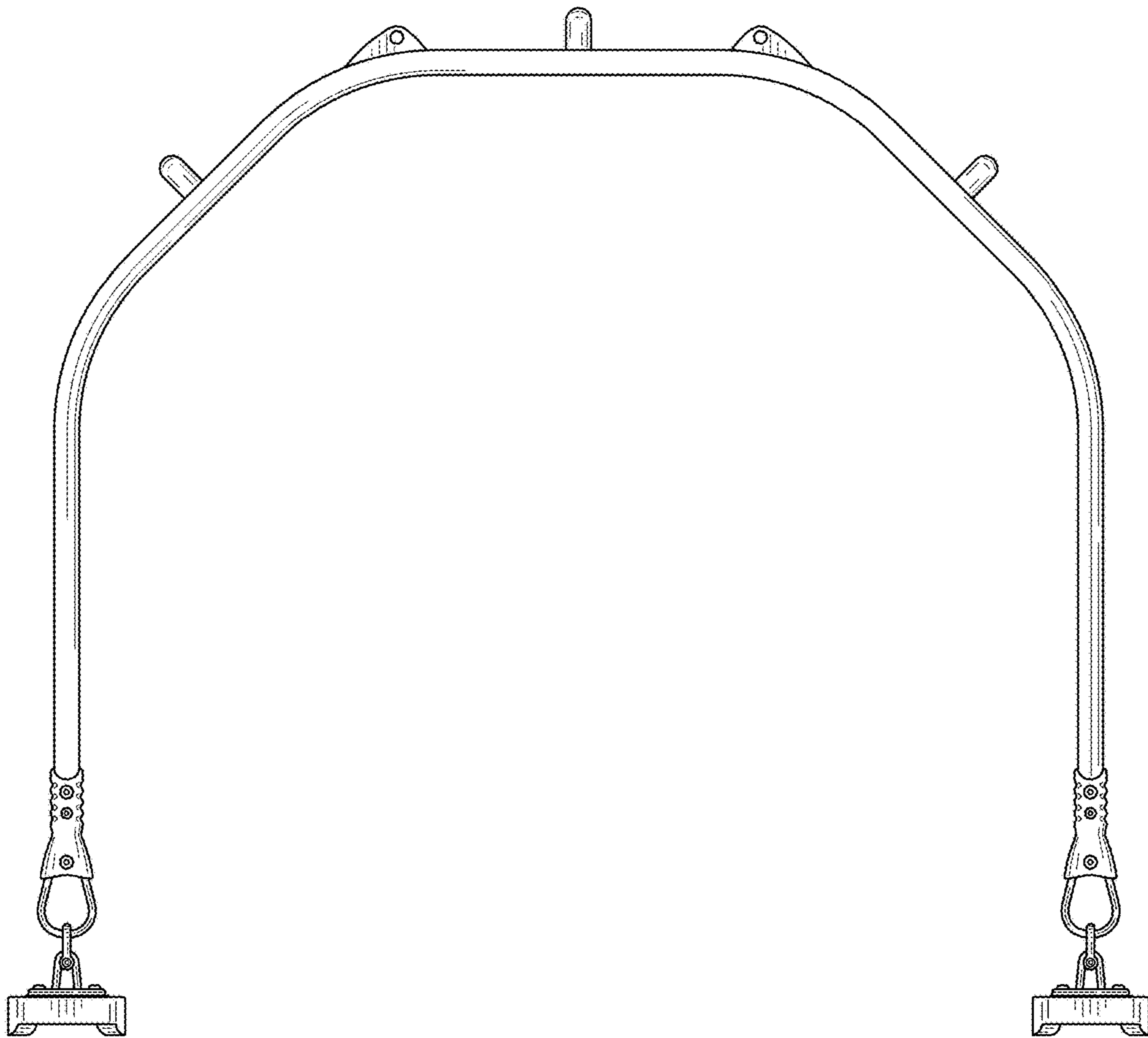


FIG. 5

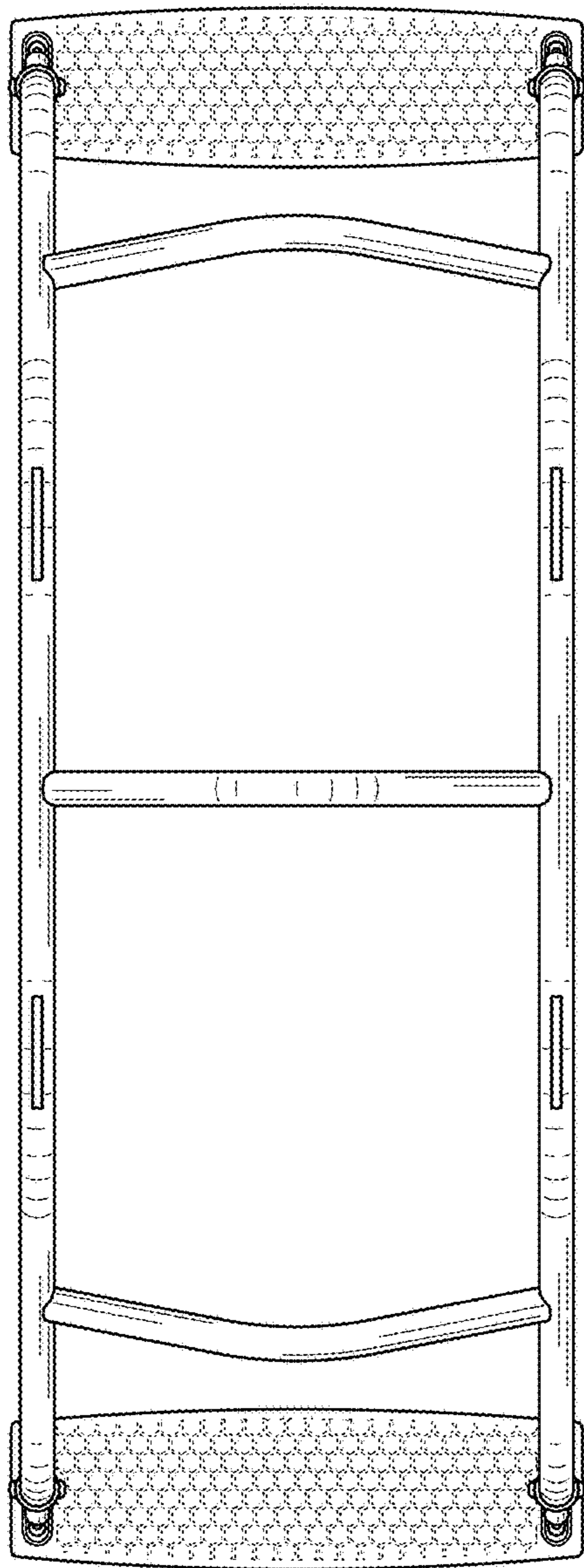


FIG. 6

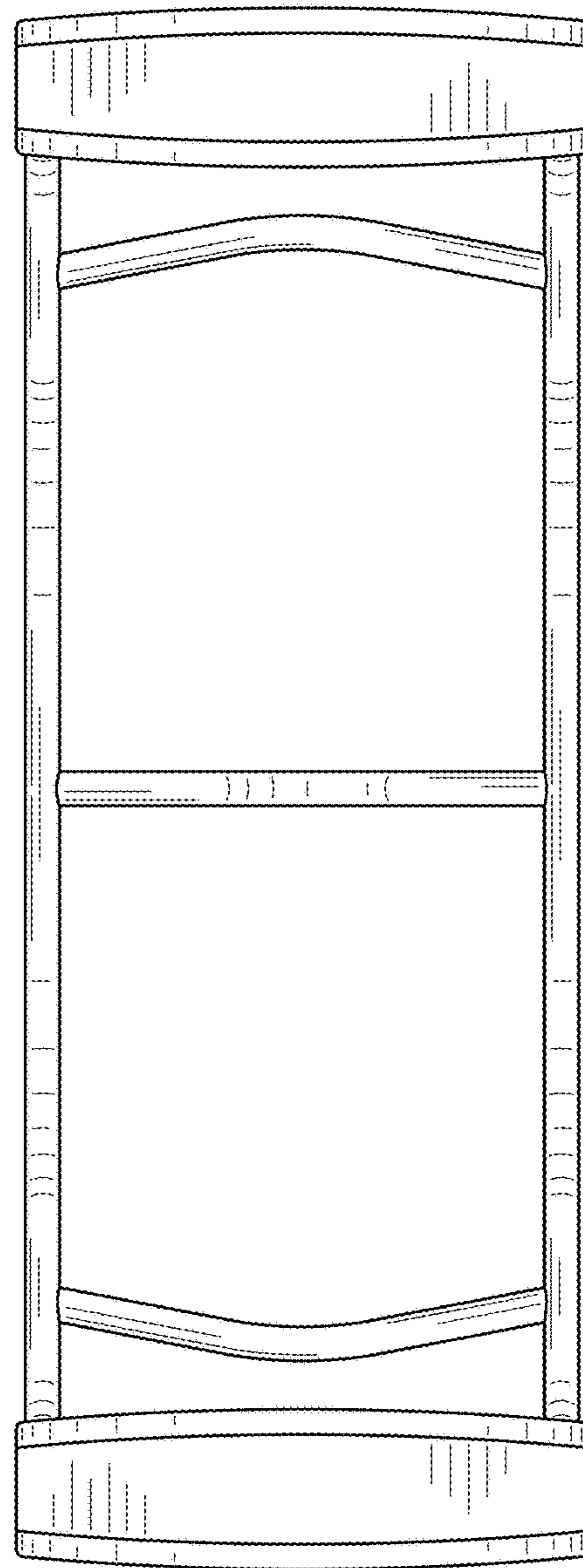


FIG. 7

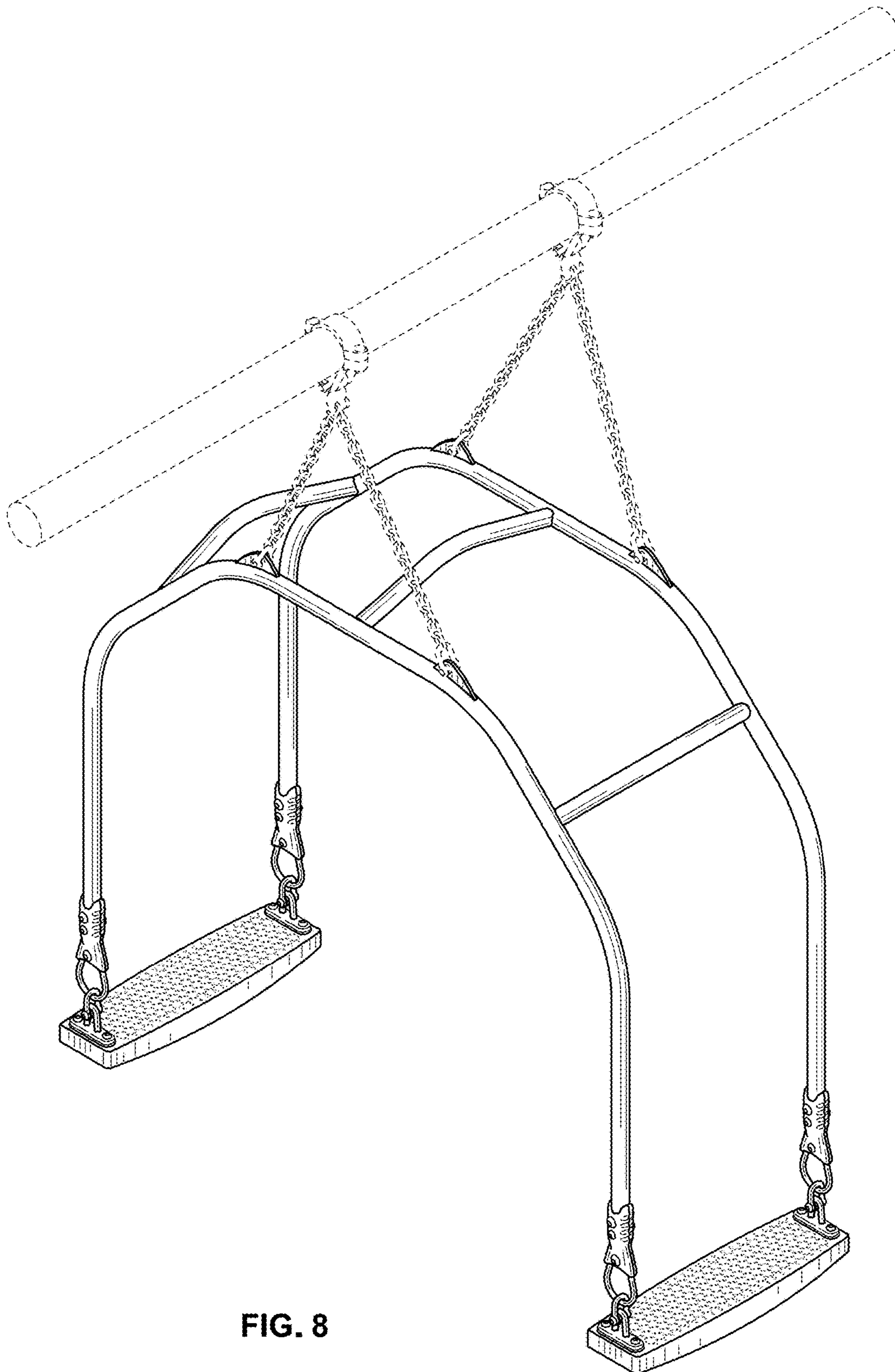


FIG. 8



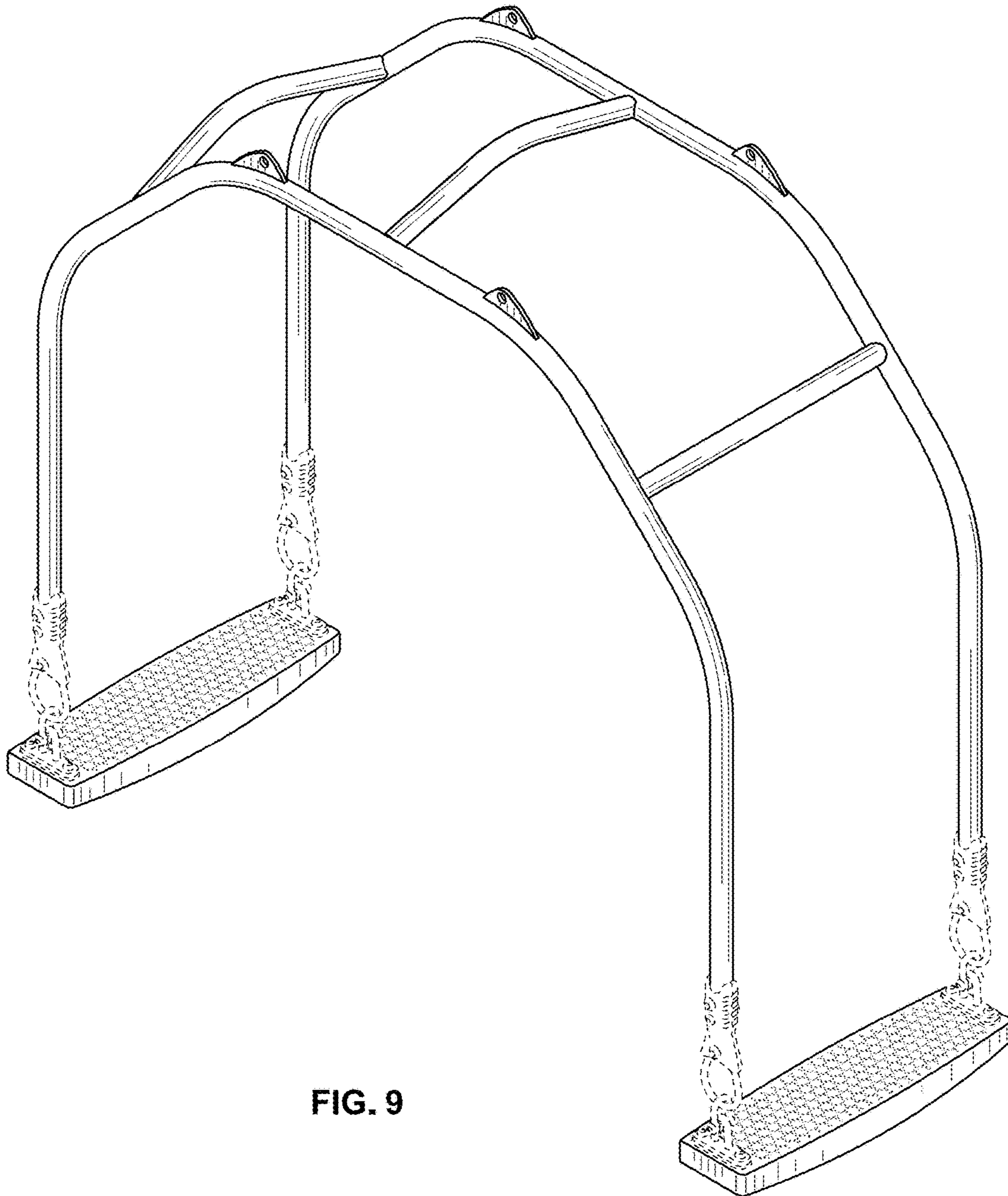


FIG. 9

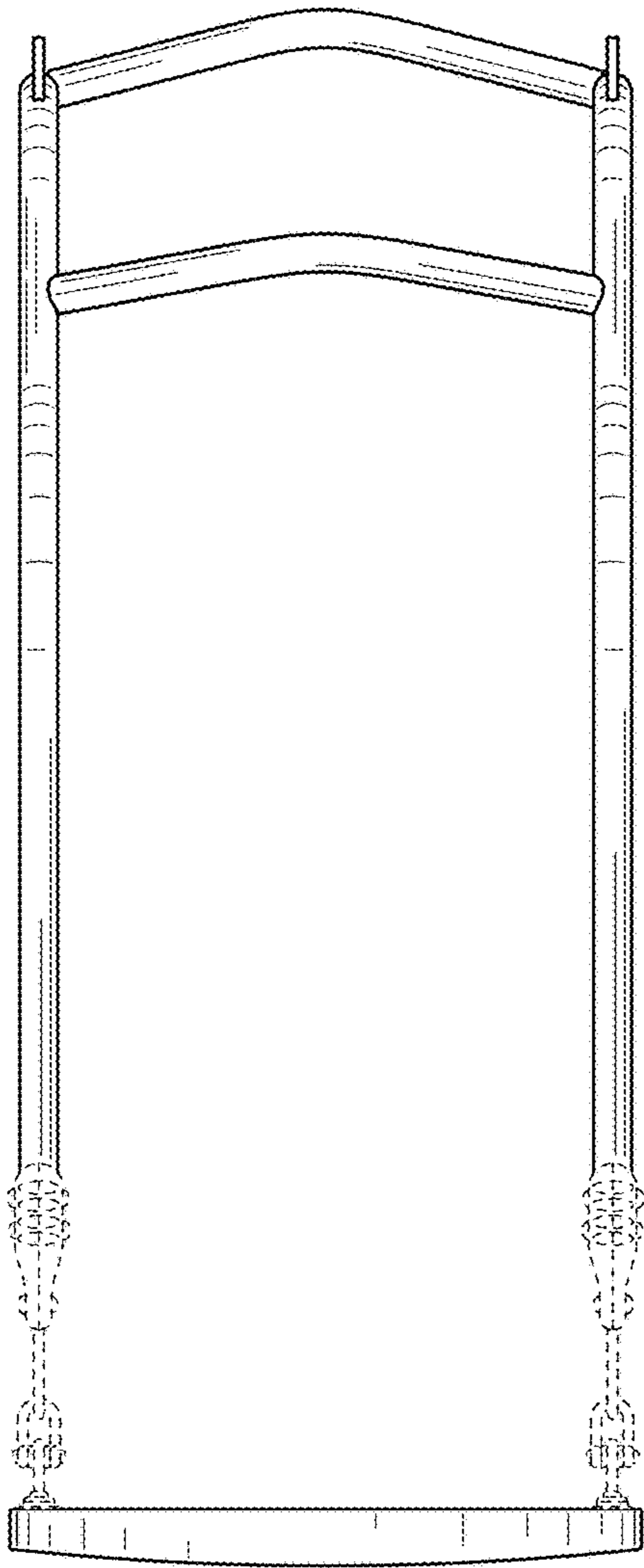


FIG. 10

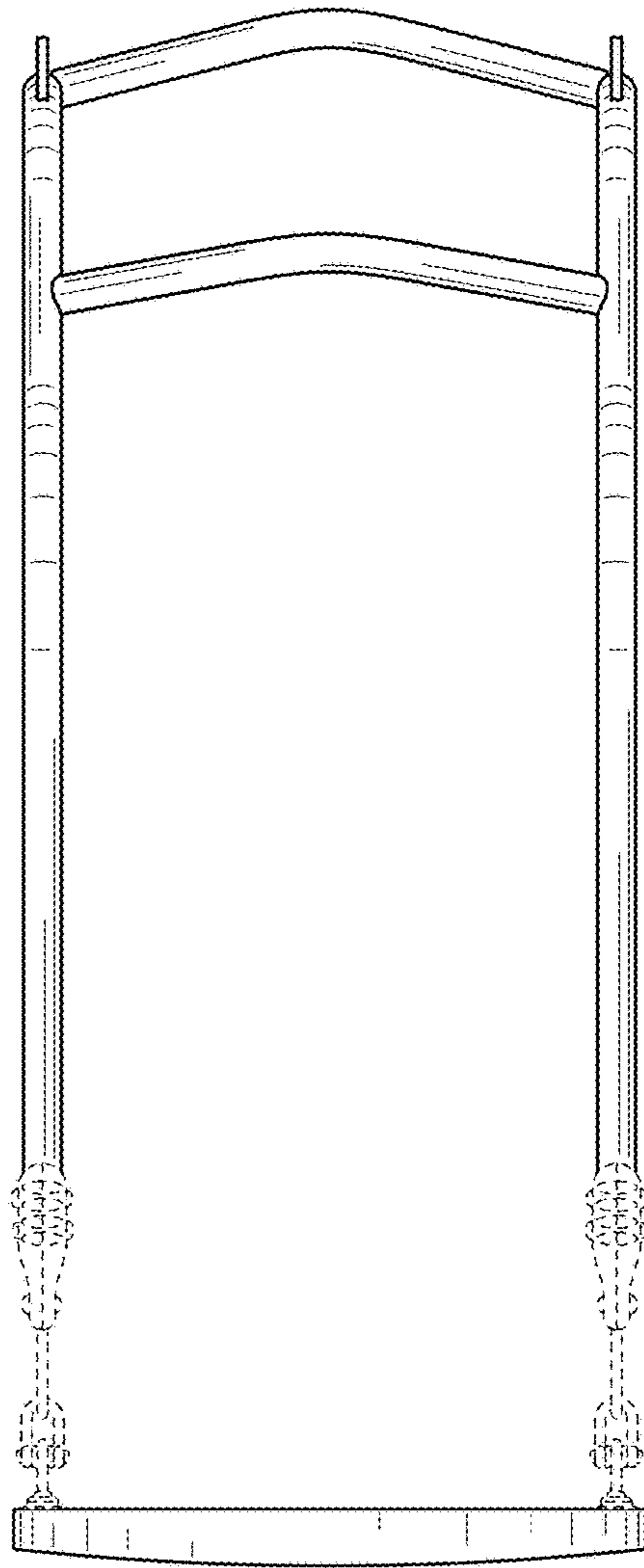


FIG. 11

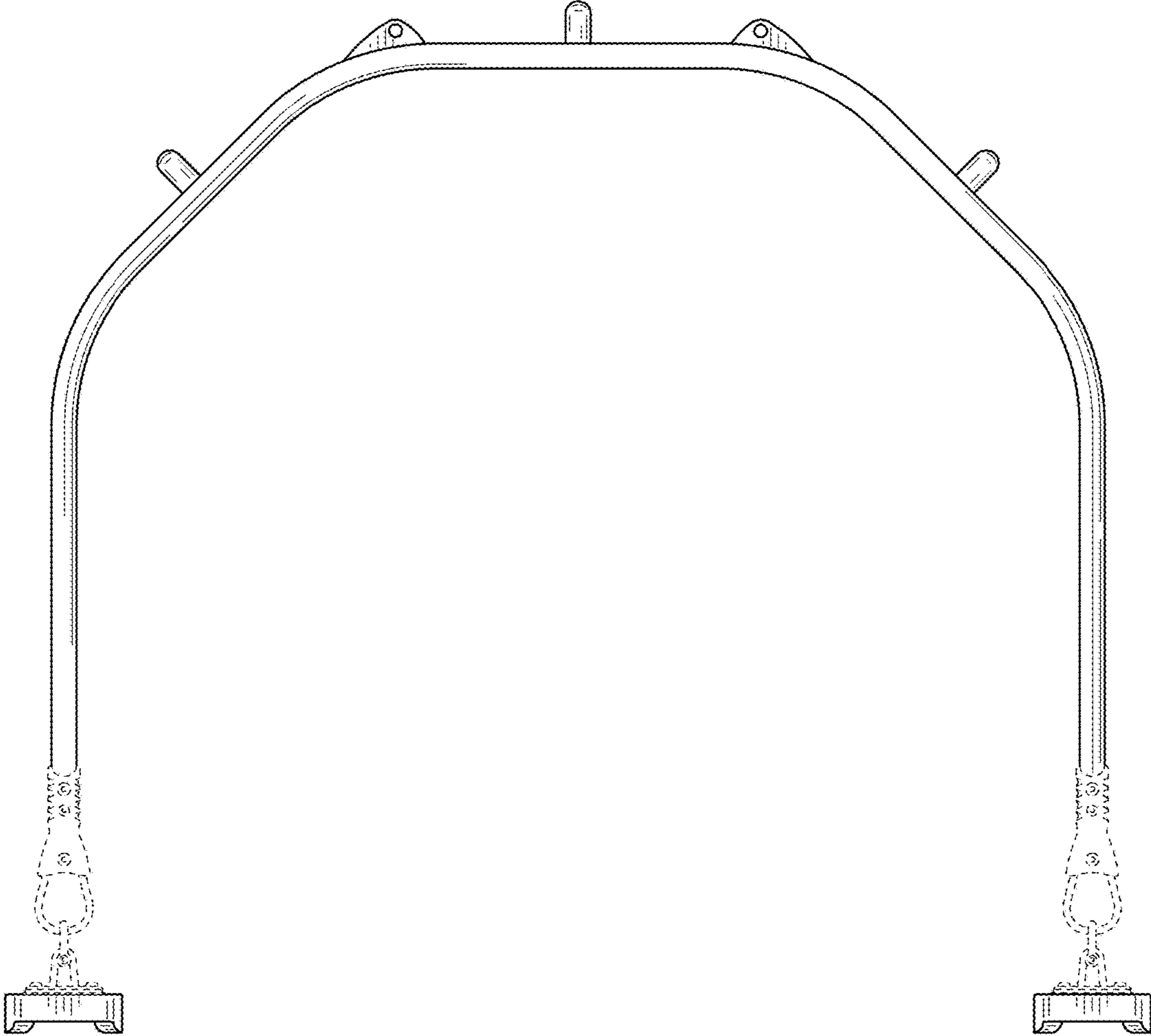


FIG. 12

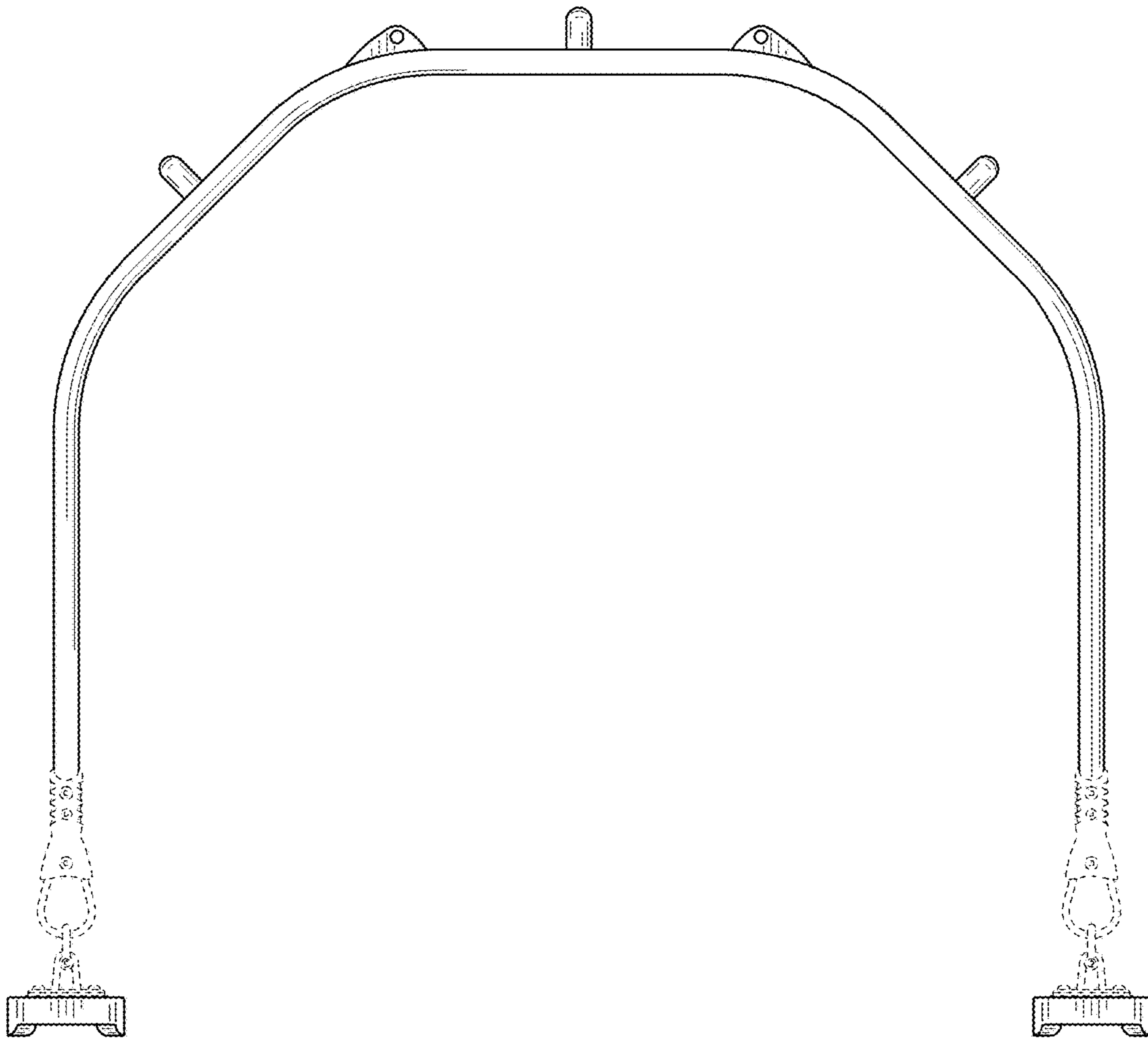


FIG. 13

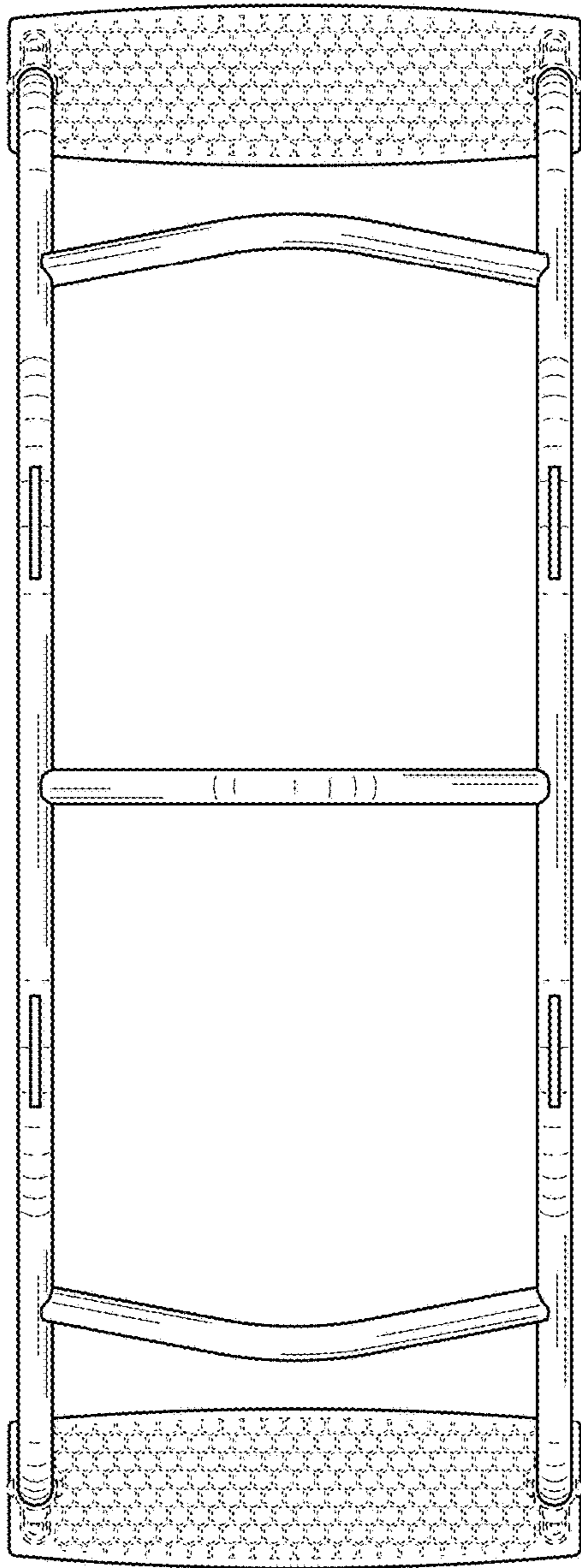


FIG. 14

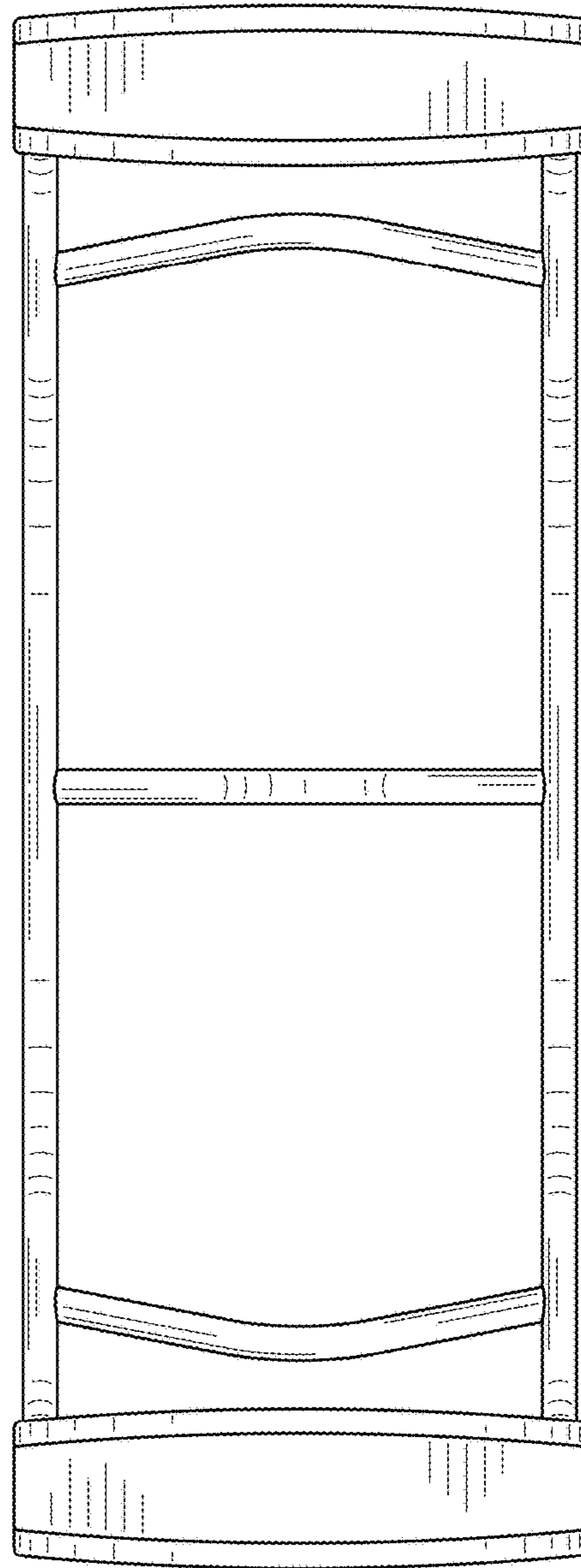


FIG. 15

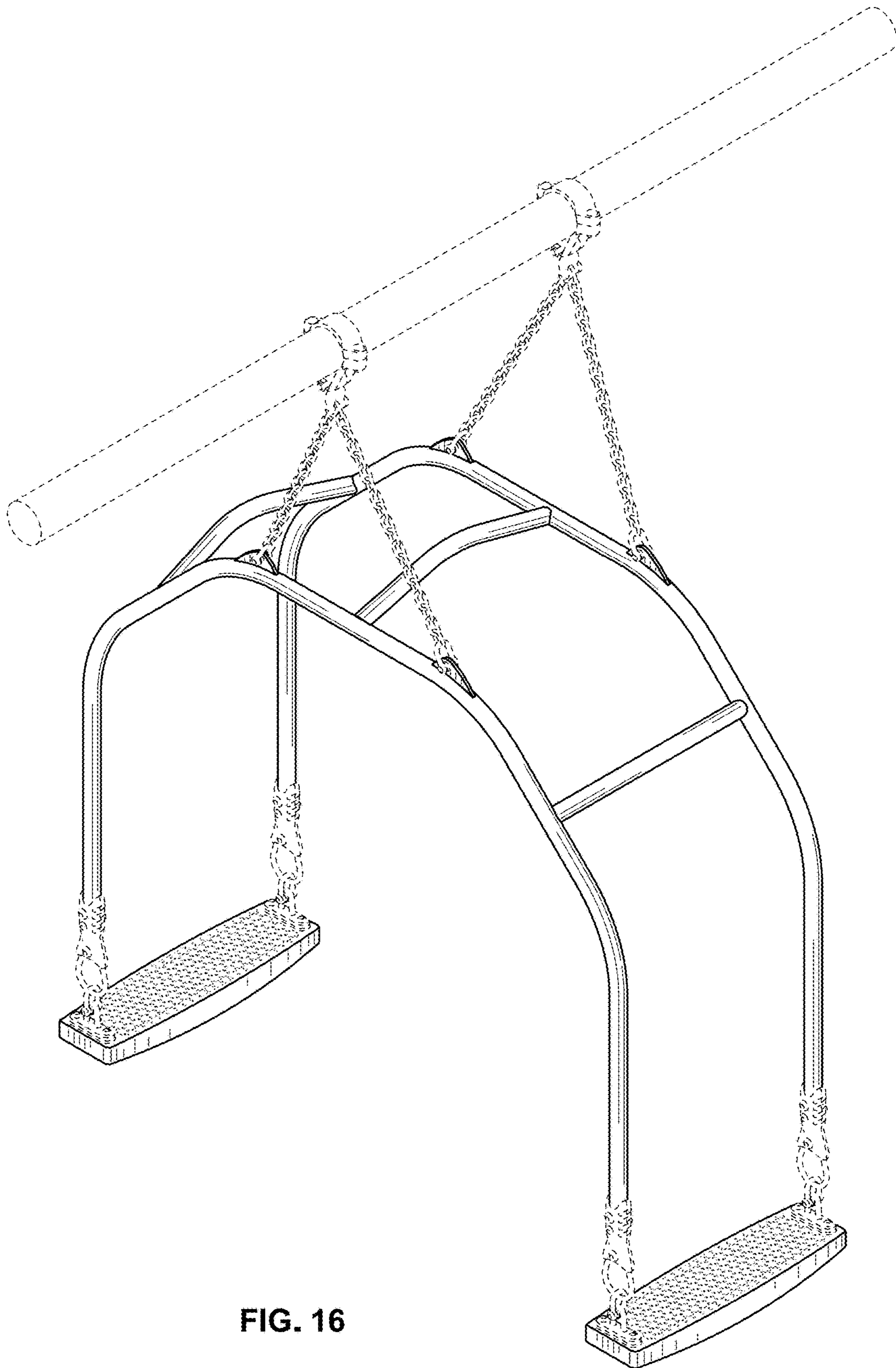


FIG. 16