



US00D863477S

(12) **United States Design Patent**
McDonnell et al.

(10) **Patent No.:** **US D863,477 S**

(45) **Date of Patent:** **** Oct. 15, 2019**

(54) **LACROSSE STICK HEAD**

(71) Applicant: **Epoch Lacrosse LLC**, Mendota Heights, MN (US)

(72) Inventors: **Evan J McDonnell**, St. Paul, MN (US);
Emily M Plahn, St. Paul, MN (US);
Jason R Daniel, St. Paul, MN (US);
James T Miceli, St. Paul, MN (US)

(73) Assignee: **EPOCH LACROSSE LLC**

(**) Term: **15 Years**

(21) Appl. No.: **29/656,367**

(22) Filed: **Jul. 12, 2018**

(51) **LOC (12) Cl.** **21-02**

(52) **U.S. Cl.**
USPC **D21/724**

(58) **Field of Classification Search**
USPC D21/722, 724, 753
CPC A63B 59/20; A63B 65/122; A63B 65/125;
A63B 65/127; A63B 60/50; A63B 60/51;
A63B 60/52; A63B 60/00; A63B 60/46
See application file for complete search history.

(56) **References Cited**

U.S. PATENT DOCUMENTS

7,214,151 B1 * 5/2007 Gait A63B 59/20
473/513
D670,347 S * 11/2012 Goudy D21/753

D703,777 S * 4/2014 Fraser D21/724
D723,639 S * 3/2015 Gait D21/724
D740,899 S * 10/2015 McPhail D21/724
D741,425 S * 10/2015 Paquette D21/724
2018/0133570 A1 * 5/2018 McDonell A63B 59/20

* cited by examiner

Primary Examiner — Mitchell I. Siegel

(74) *Attorney, Agent, or Firm* — H. Jay Spiegel

(57) **CLAIM**

The ornamental design for a lacrosse stick head, as shown and described.

DESCRIPTION

FIG. 1 shows a perspective view of my claimed design.
FIG. 2 shows a further perspective view of my claimed design.
FIG. 3 shows a right side view of my claimed design.
FIG. 4 shows a left side view of my claimed design.
FIG. 5 shows a first end view looking distally from the proximal end of my claimed design.
FIG. 6 shows a second end view looking proximally from the distal end of my claimed design.
FIG. 7 shows a top view of my claimed design; and,
FIG. 8 shows a bottom view of my claimed design.

1 Claim, 4 Drawing Sheets

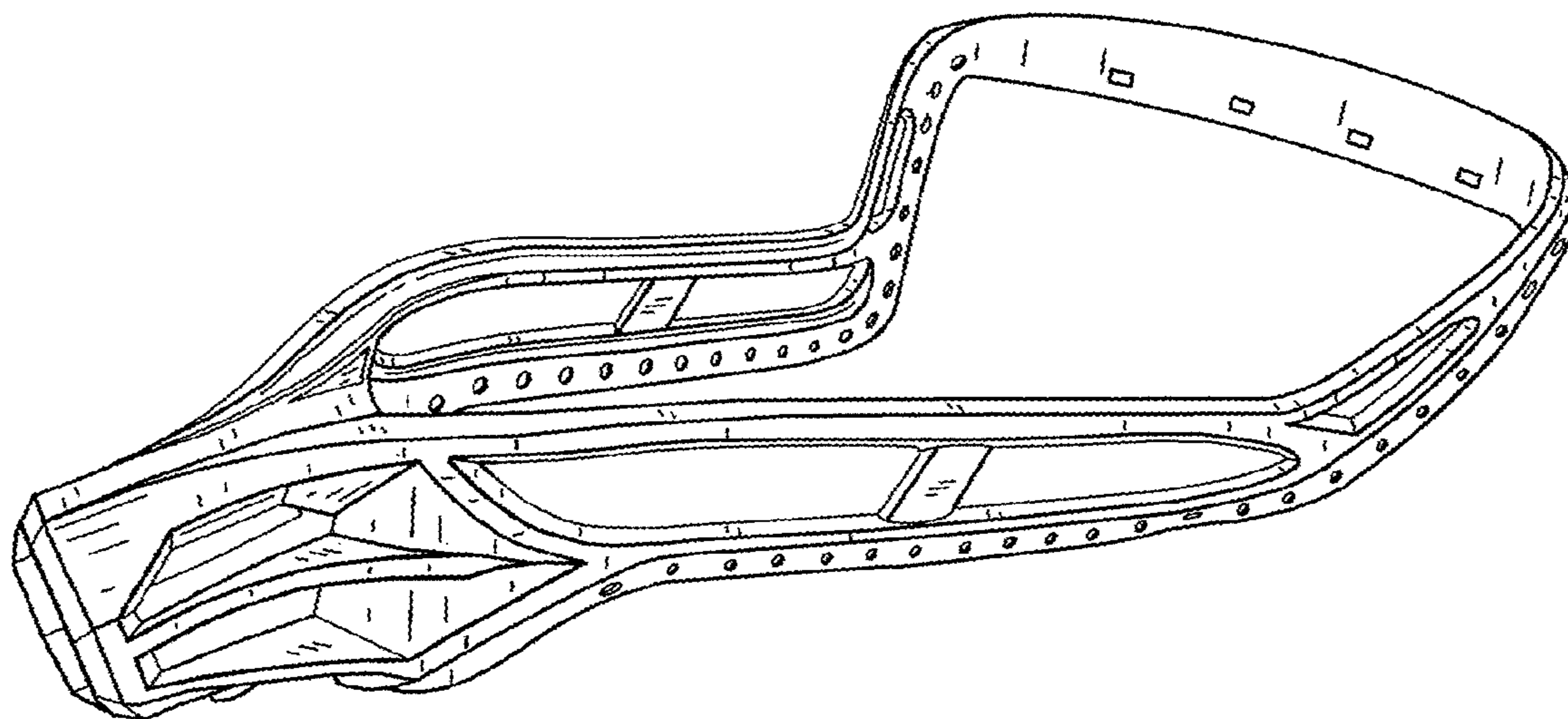


FIG. 1

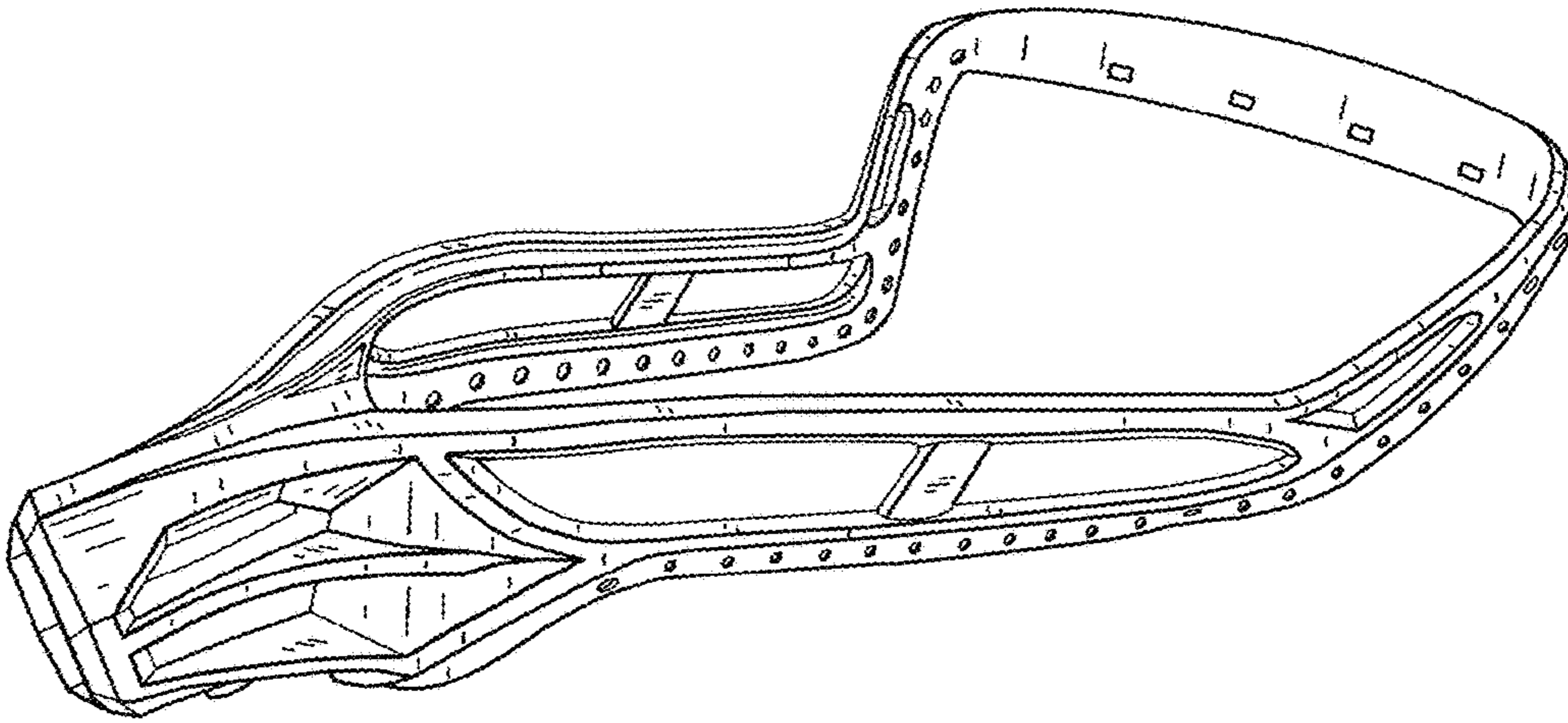


FIG. 2

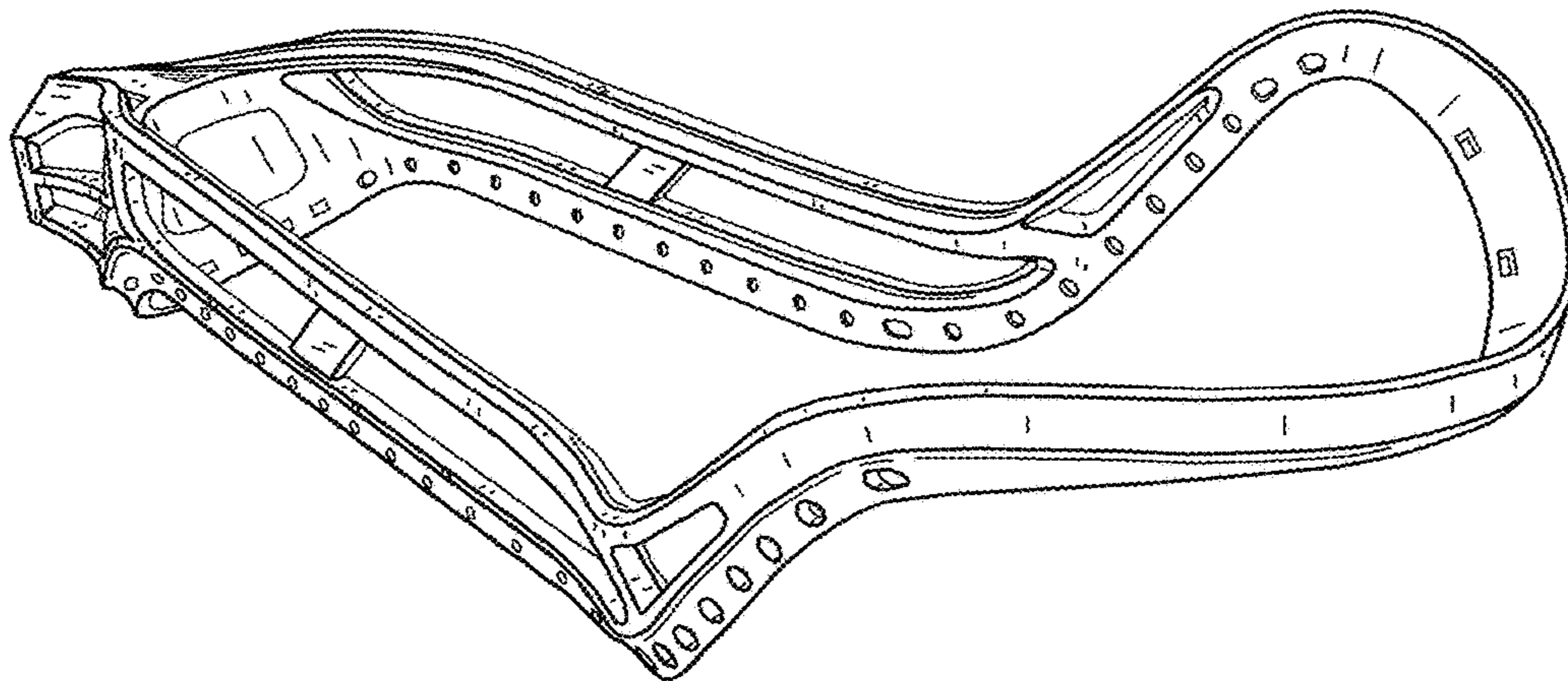


FIG. 3

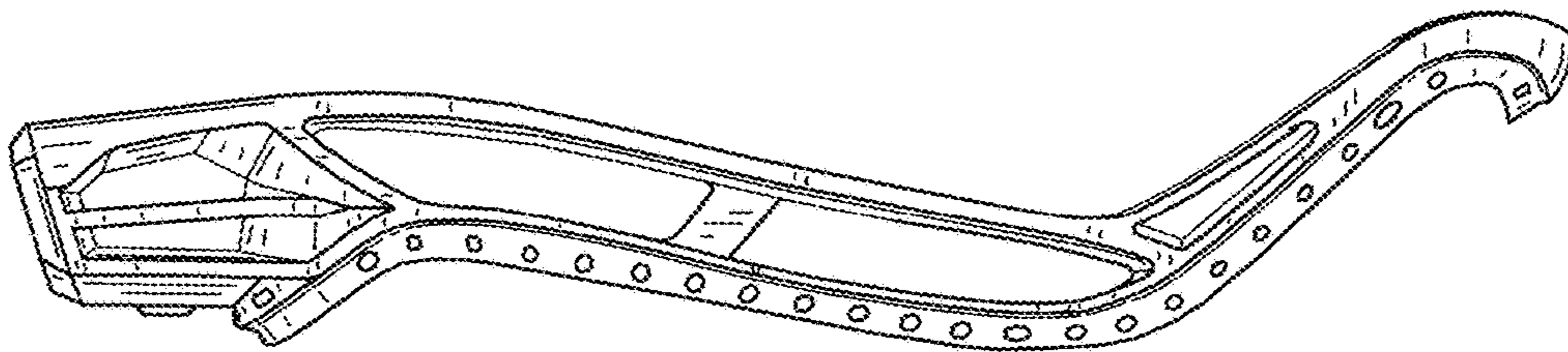


FIG. 4

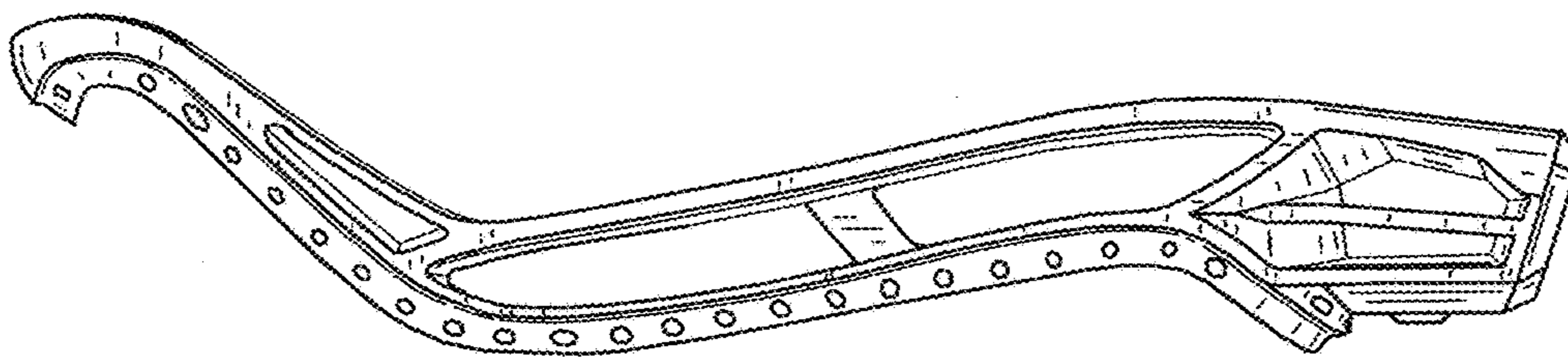


FIG. 5

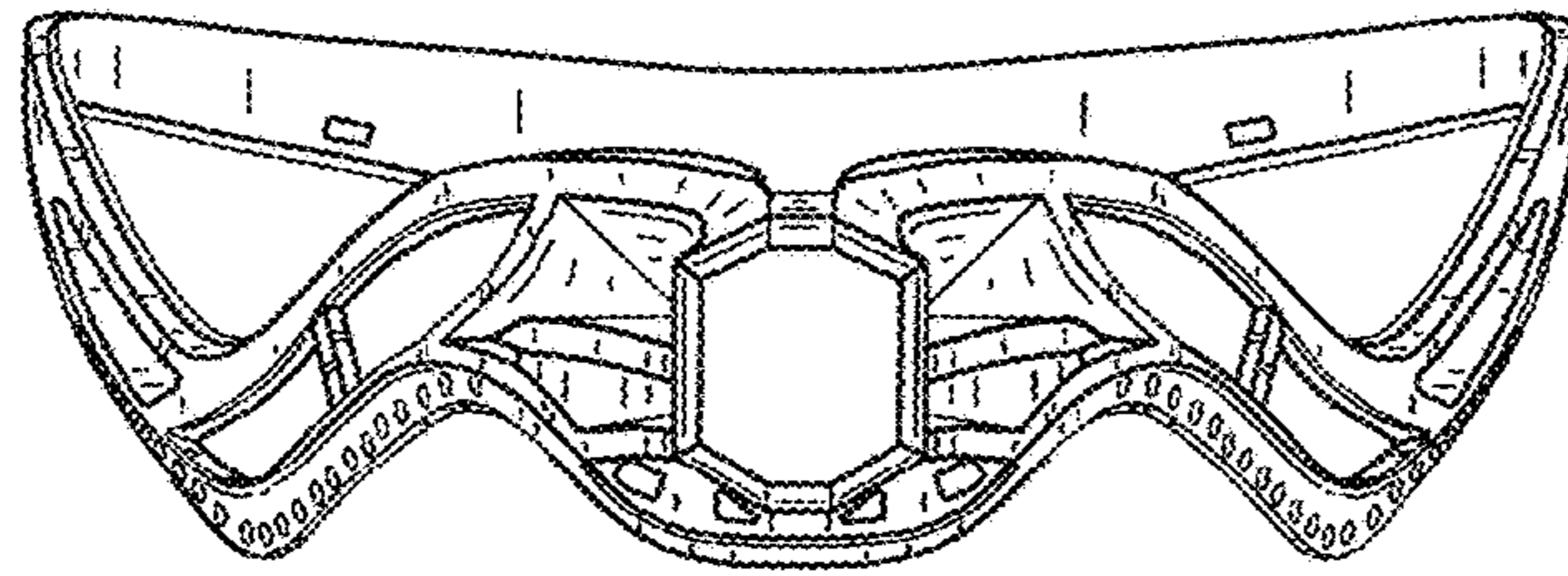


FIG. 6

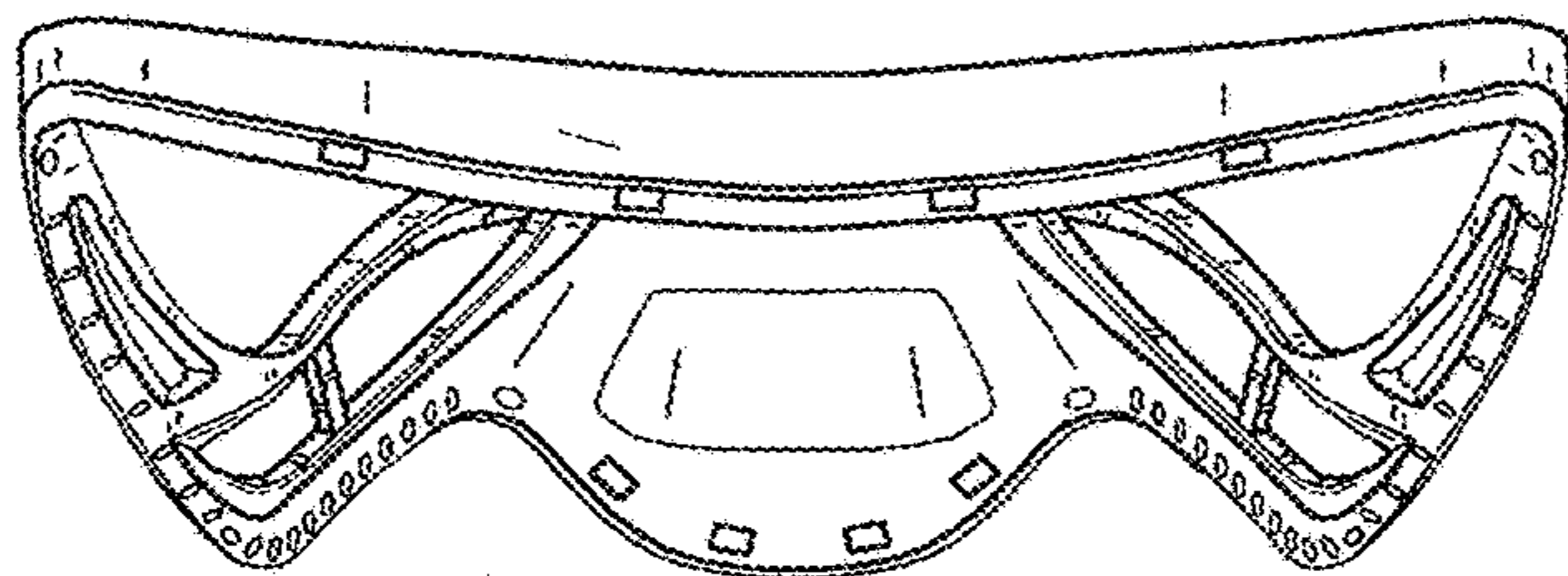


FIG. 7

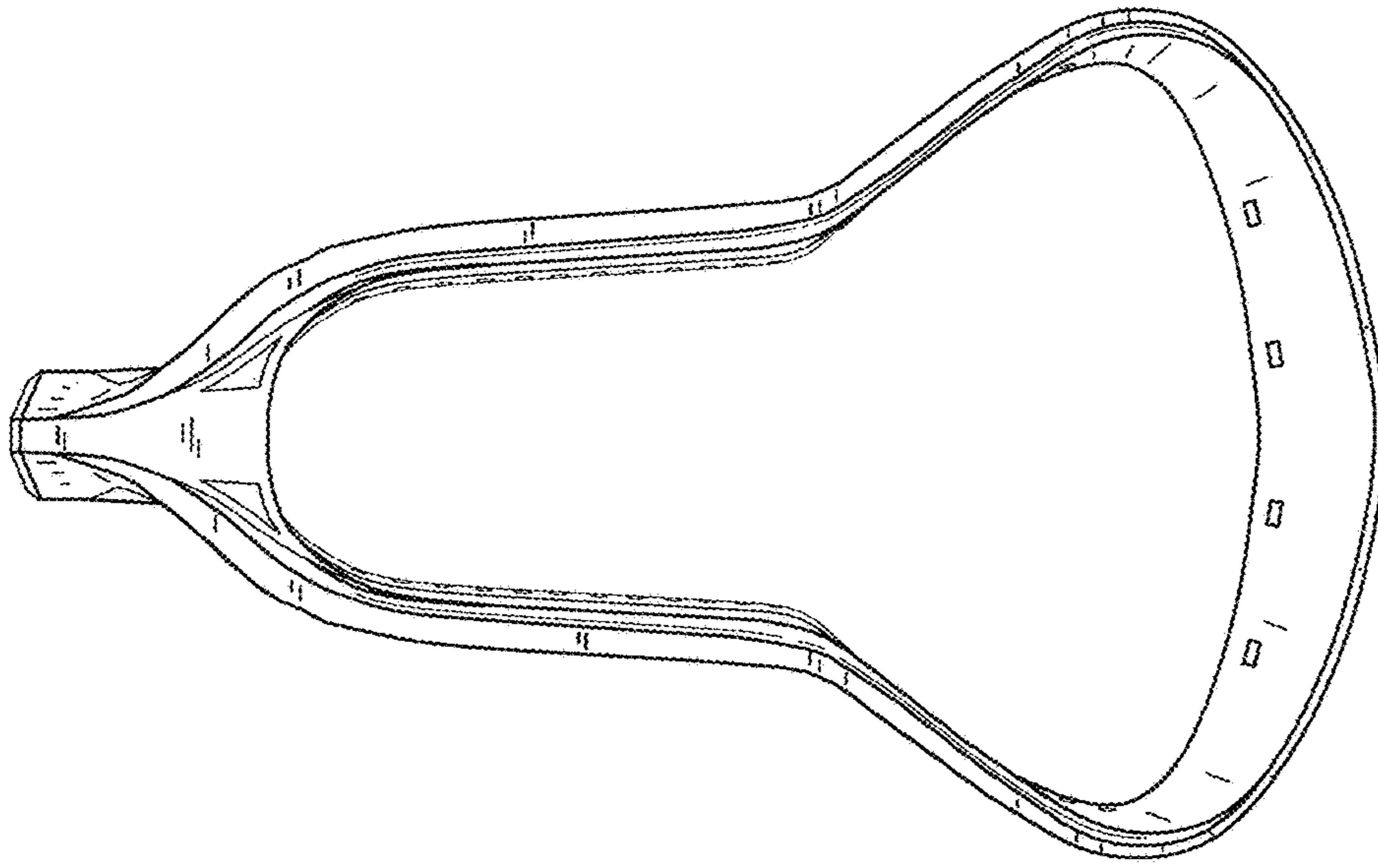


FIG. 8

