



US00D863476S

(12) **United States Design Patent**
Haarburger

(10) **Patent No.:** **US D863,476 S**

(45) **Date of Patent:** **** Oct. 15, 2019**

(54) **BALL LAUNCHER**

(71) Applicant: **NITE IZE, INC.**, Boulder, CO (US)

(72) Inventor: **Daniel Haarburger**, Boulder, CO (US)

(73) Assignee: **Nite Ize, Inc.**, Boulder, CO (US)

(**) Term: **15 Years**

(21) Appl. No.: **29/624,530**

(22) Filed: **Nov. 1, 2017**

(51) **LOC (12) Cl.** **21-02**

(52) **U.S. Cl.**
USPC **D21/722**

(58) **Field of Classification Search**
USPC D21/722, 756-757, 759, 789; D30/160
CPC A63B 60/00; A63B 60/46; A63B 59/30;
A63B 59/20; A63B 65/00-65/127
See application file for complete search history.

(56) **References Cited**

U.S. PATENT DOCUMENTS

2,326,486	A	8/1943	Norelius	
3,082,546	A	3/1963	Baerle	
3,206,202	A	9/1965	Evans	
3,428,036	A *	2/1969	Parker	A63B 60/08 124/5
3,589,349	A *	6/1971	Parker	A63B 60/08 124/5
3,841,292	A	10/1974	Hoffman	
4,974,574	A	12/1990	Cutlip	
5,129,650	A	7/1992	Hayman	
5,390,652	A	2/1995	Minneman et al.	
5,423,543	A	6/1995	Tarrant	
D424,640	S *	5/2000	Oblack	D21/722
6,076,829	A *	6/2000	Oblack	A63B 60/34 273/317
6,477,745	B2 *	11/2002	Strebl	A63B 60/12 24/3.12
D484,938	S *	1/2004	Tu	D21/789

D554,717	S *	11/2007	McKinnell	D21/722
7,686,001	B2 *	3/2010	Fitt	A63B 59/20 124/5
D630,277	S *	1/2011	McKinnell	D21/722
D637,248	S *	5/2011	Levin	D21/722
D640,338	S *	6/2011	Oblack	D21/722

(Continued)

Primary Examiner — Mitchell I. Siegel

(74) *Attorney, Agent, or Firm* — Haynes and Boone, LLP

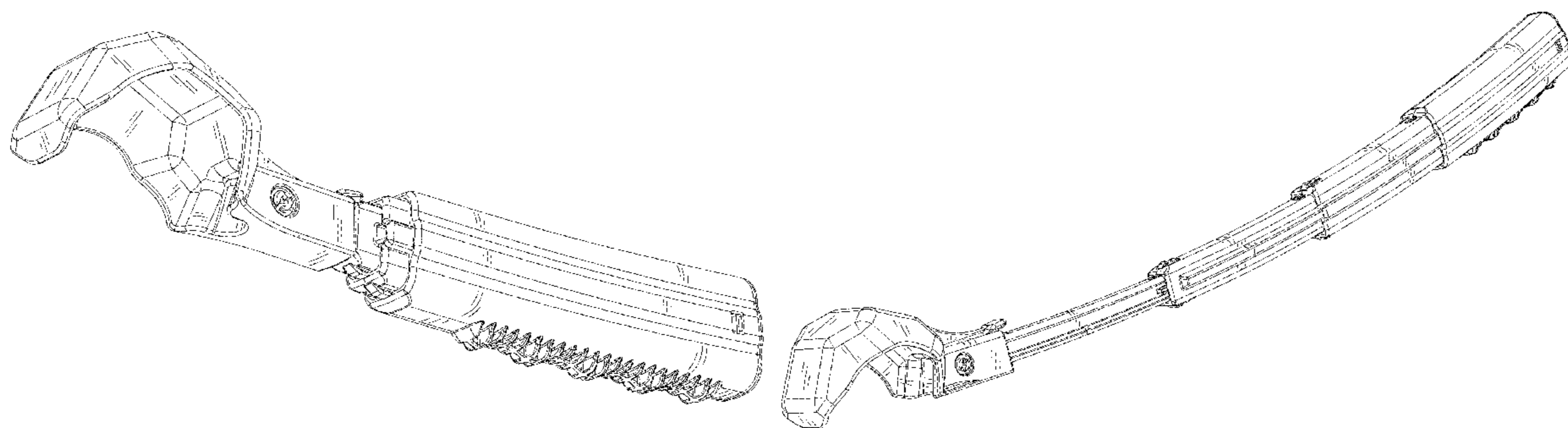
(57) **CLAIM**

The ornamental design for a ball launcher, as shown and described.

DESCRIPTION

FIG. 1 is a front and right side perspective view of a ball launcher;
 FIG. 2 shows a rear and left side perspective view of the ball launcher of FIG. 1;
 FIG. 3 shows a front and left side perspective view of the fully extended ball launcher of FIG. 1;
 FIG. 4 shows a right side perspective view of the fully extended ball launcher of FIG. 3;
 FIG. 5 shows a rear view of the ball launcher of FIG. 1;
 FIG. 6 shows a front view of the ball launcher of FIG. 1;
 FIG. 7 is a right side view of the ball launcher of FIG. 1;
 FIG. 8 is a left side view of the ball launcher of FIG. 1;
 FIG. 9 shows a rear view of the fully extended ball launcher of FIG. 3;
 FIG. 10 shows a front view of the fully extended ball launcher of FIG. 3;
 FIG. 11 shows a left side view of the fully extended ball launcher of FIG. 3;
 FIG. 12 shows a right side view of the fully extended ball launcher of FIG. 3;
 FIG. 13 shows a top view of the ball launcher of FIG. 1; and,
 FIG. 14 shows a bottom view of the ball launcher of FIG. 1.

1 Claim, 10 Drawing Sheets



(56)

References Cited

U.S. PATENT DOCUMENTS

D655,359 S *	3/2012	Thorogood	D21/722
D666,686 S *	9/2012	Burger	D21/722
D674,851 S *	1/2013	Osborne	D21/722
D759,907 S *	6/2016	Weinstein	D30/160

* cited by examiner

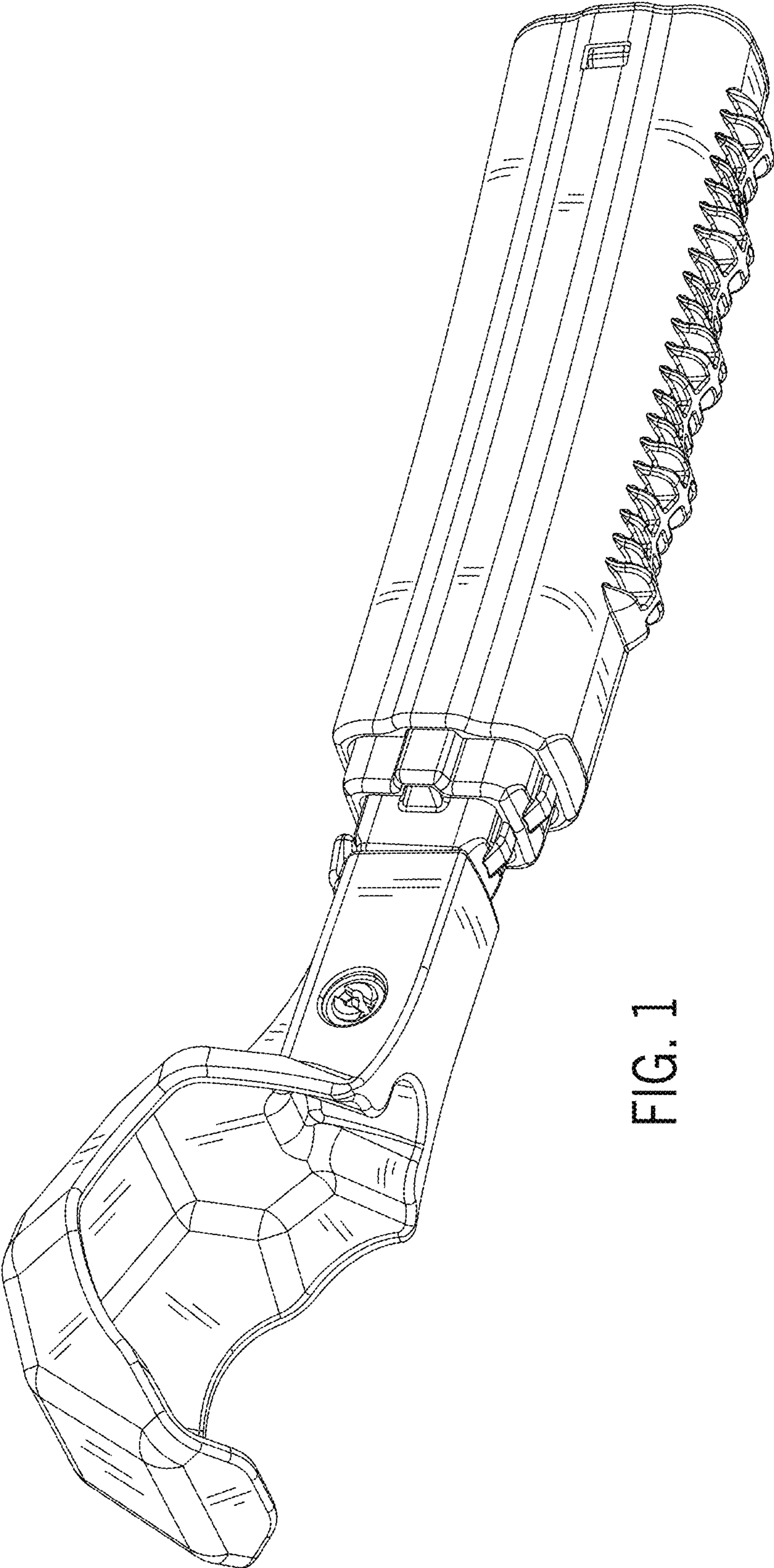


FIG. 1

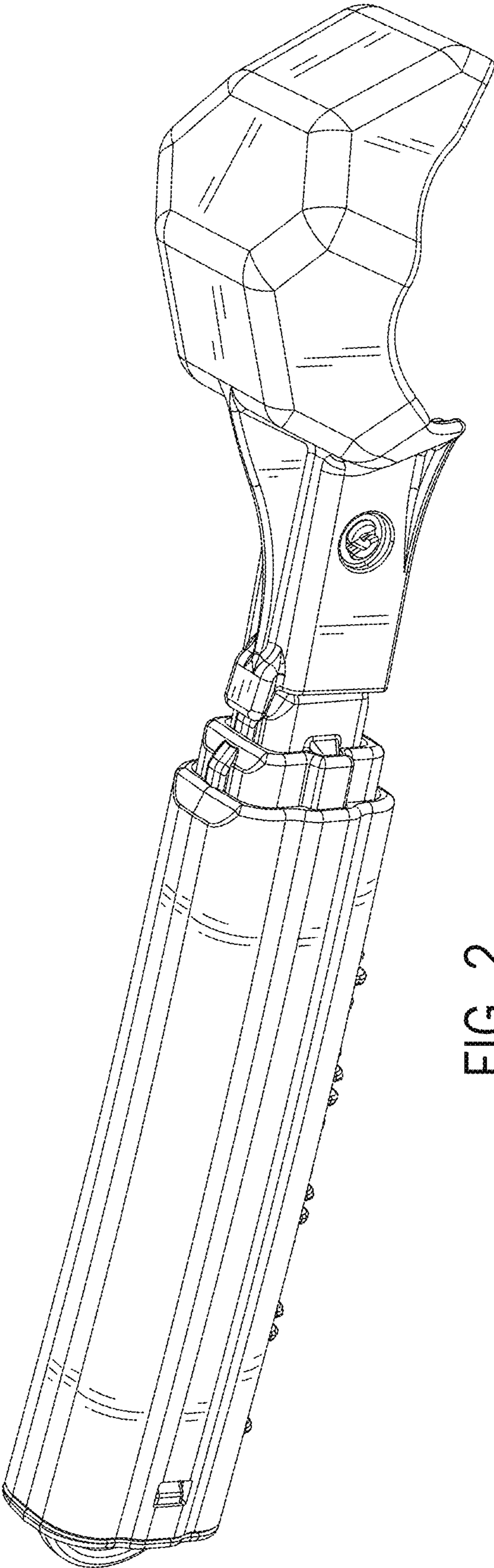


FIG. 2

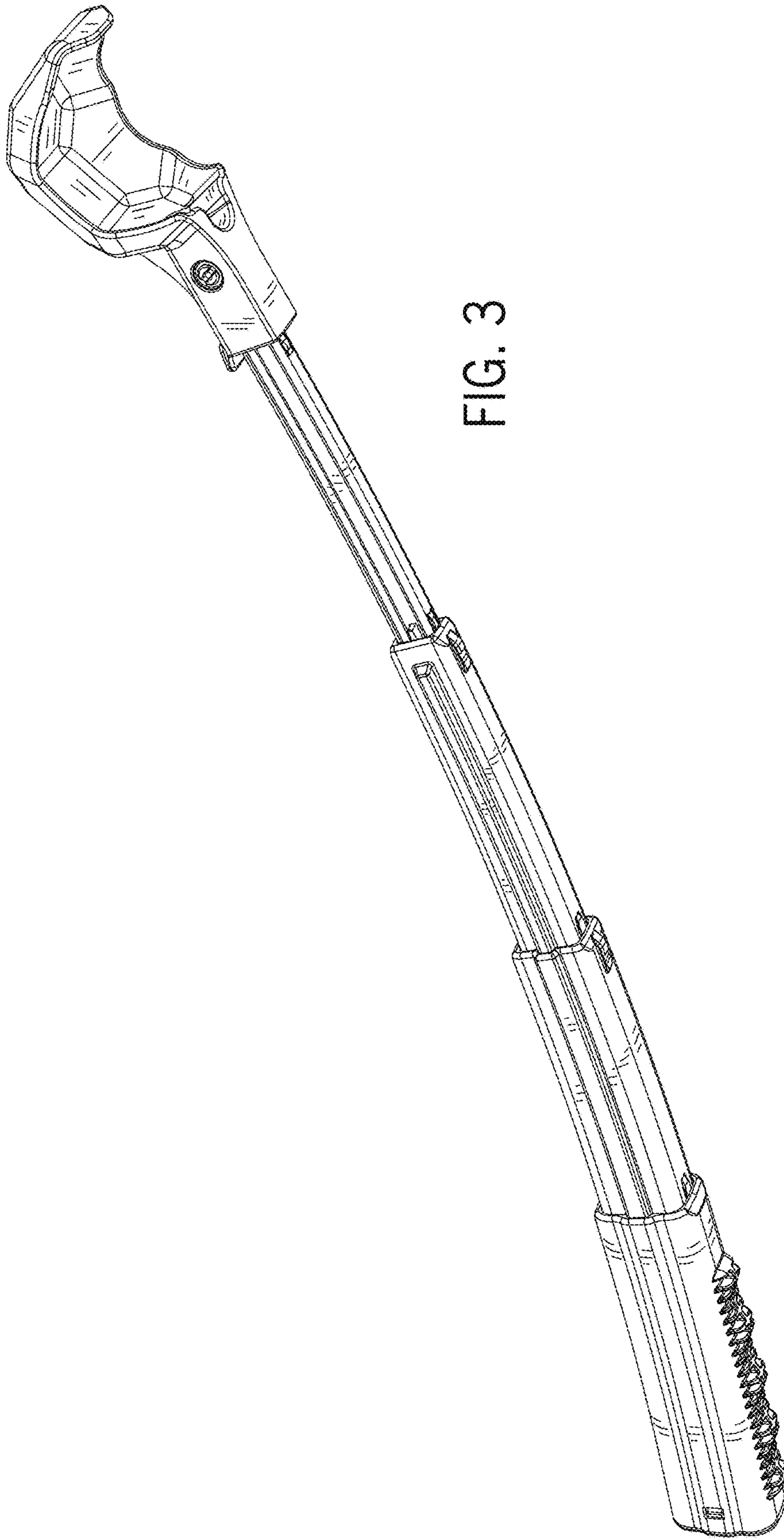


FIG. 3

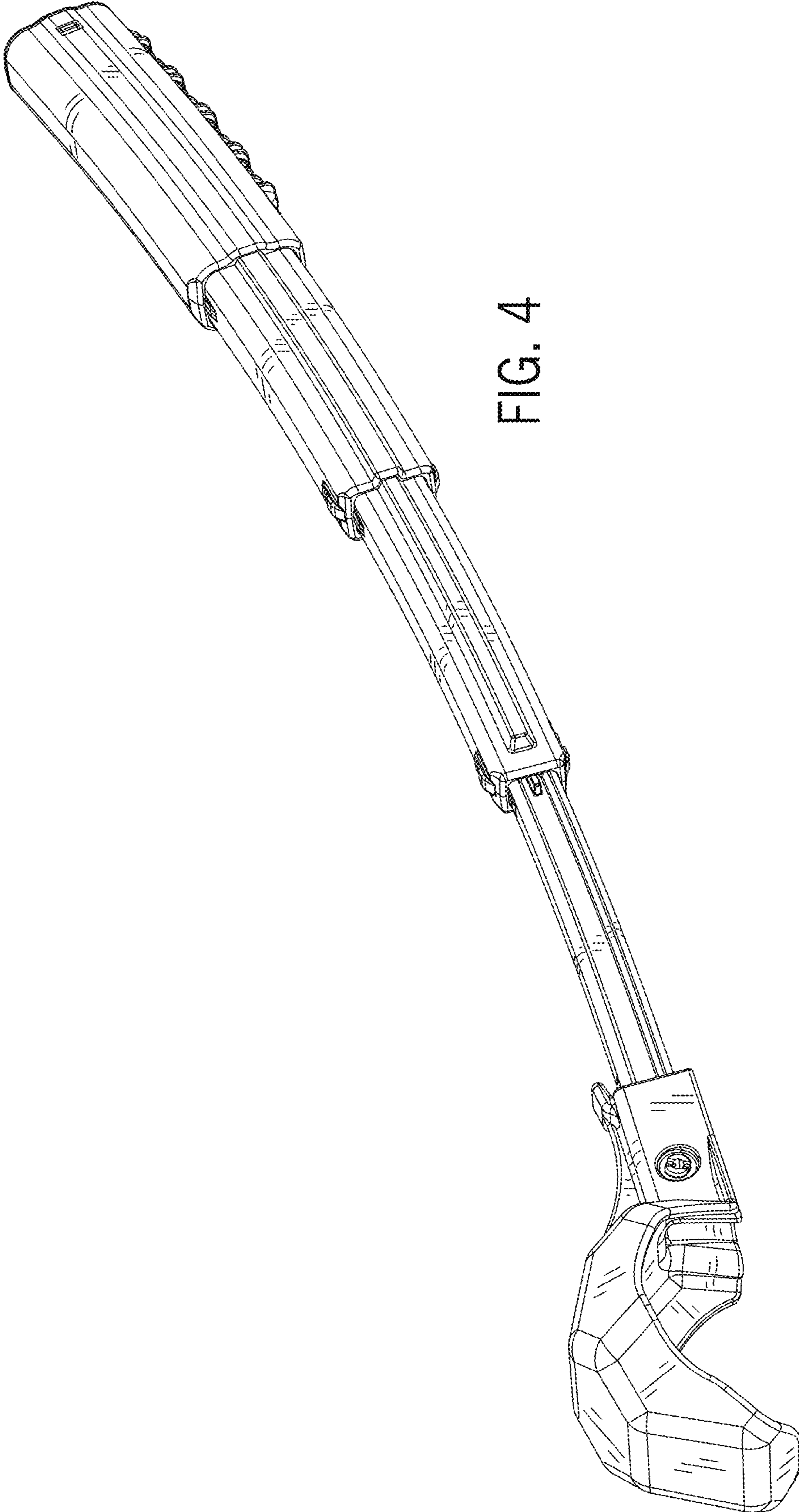


FIG. 4

FIG. 5

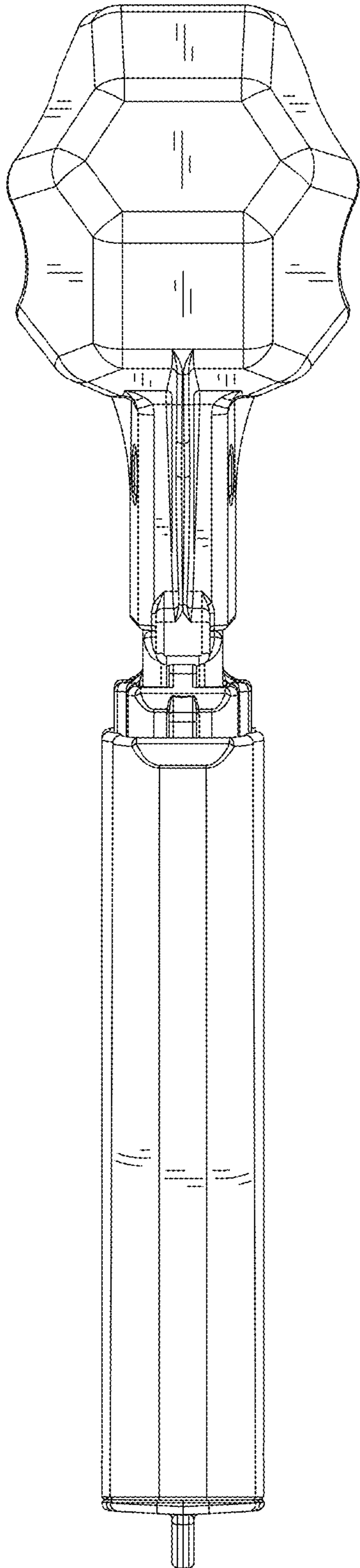


FIG. 6

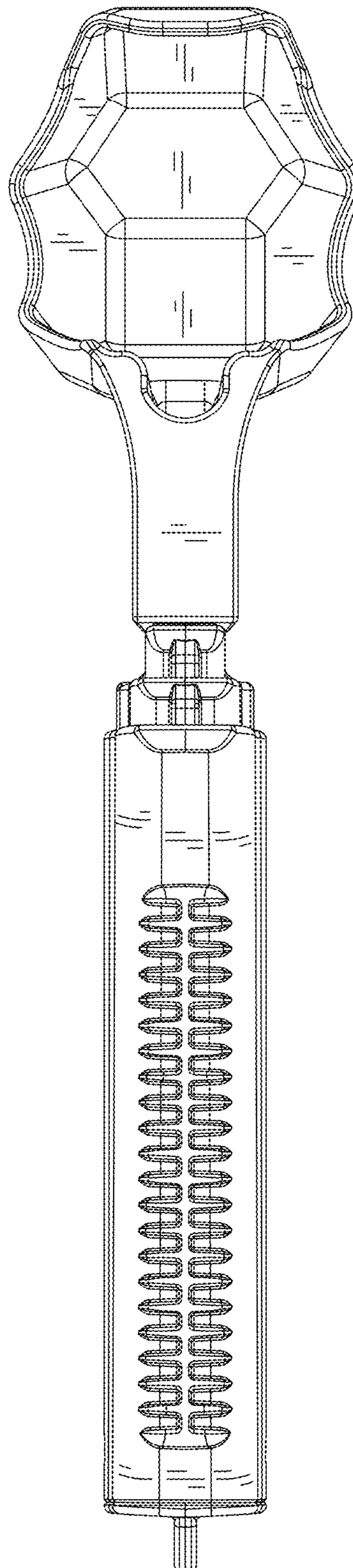


FIG. 7

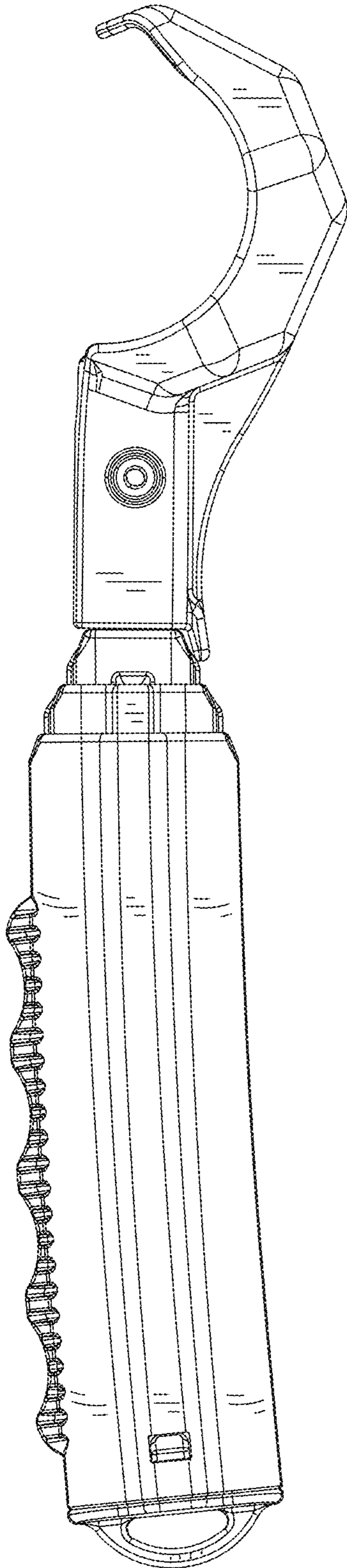


FIG. 8

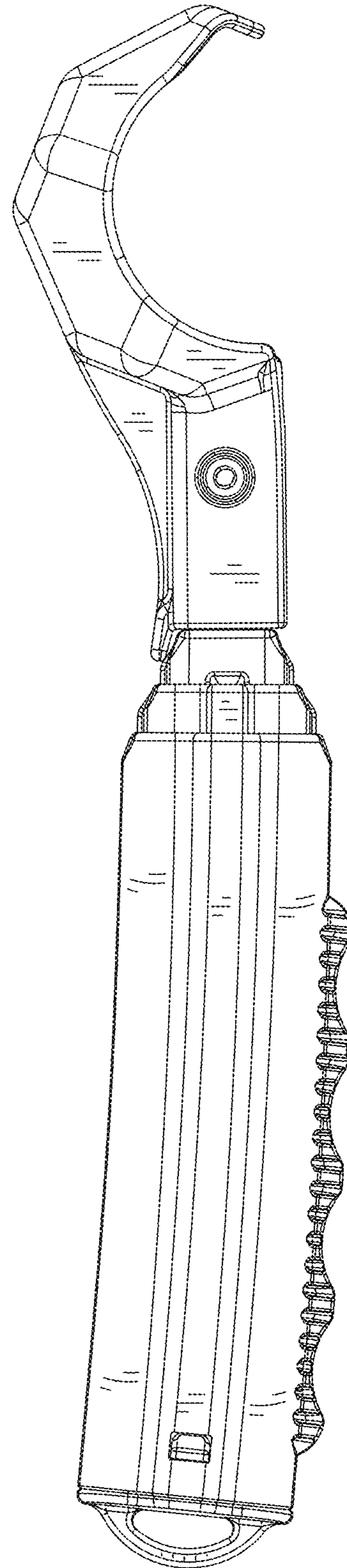


FIG. 9

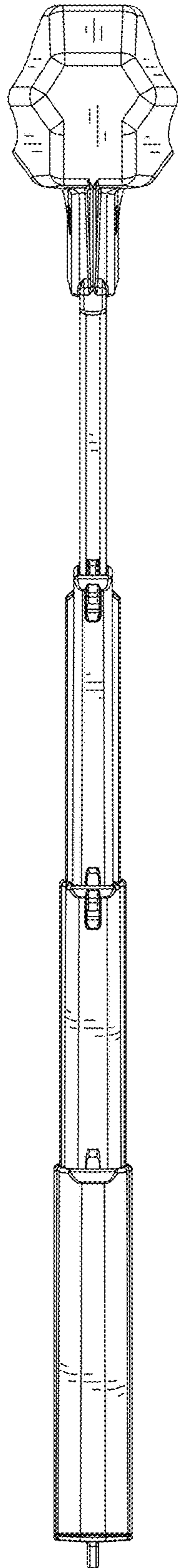


FIG. 10

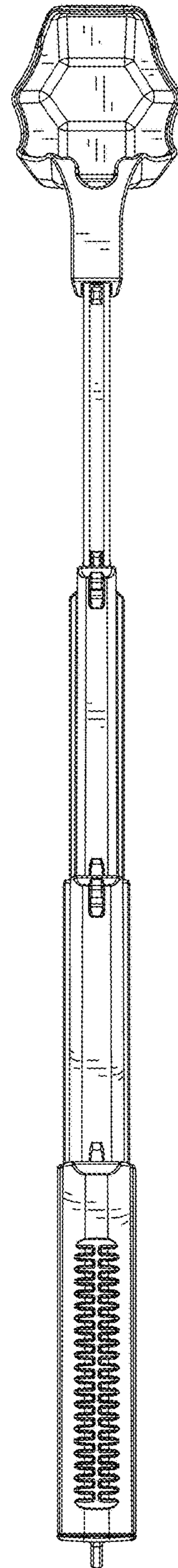
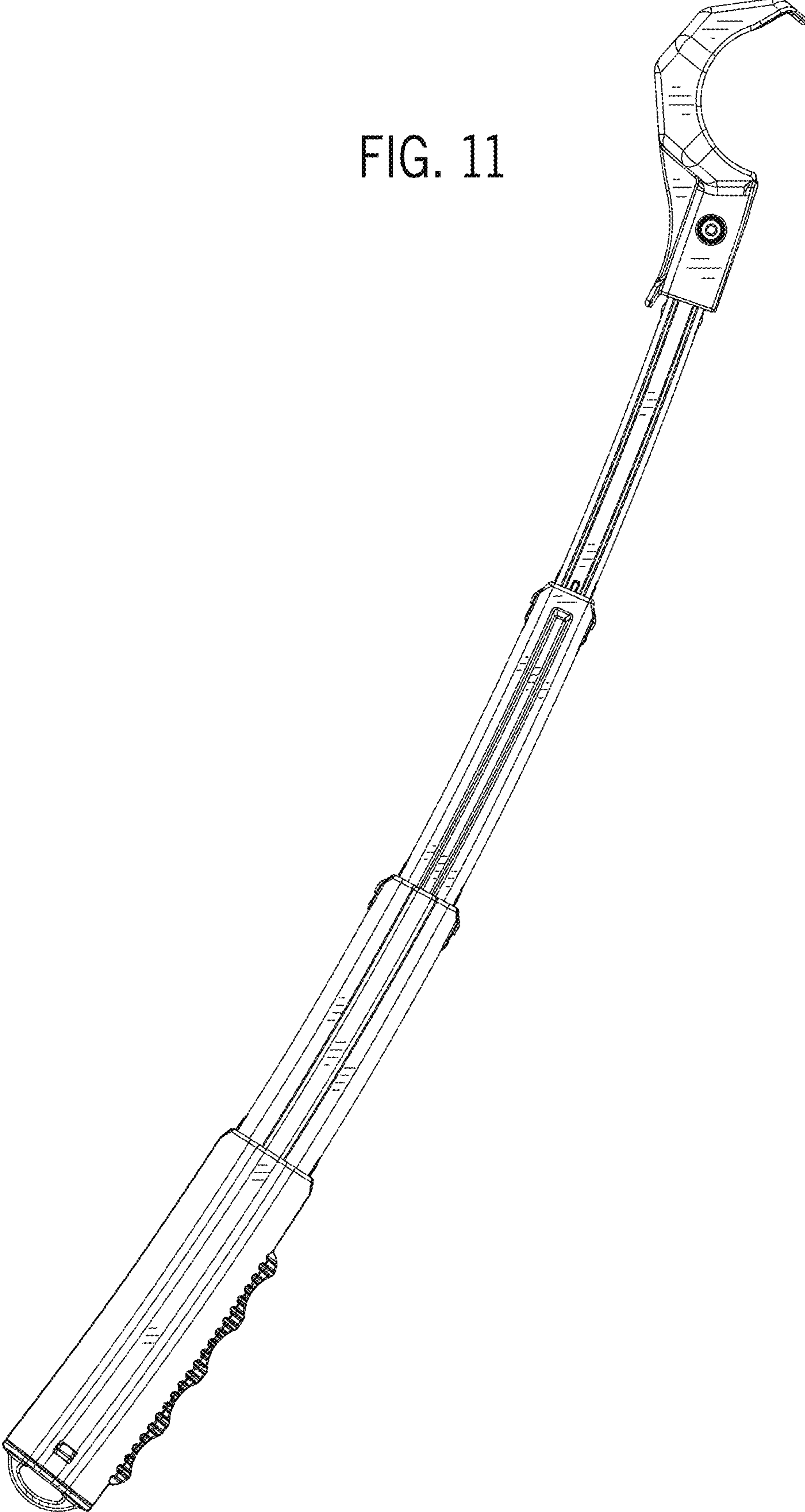


FIG. 11



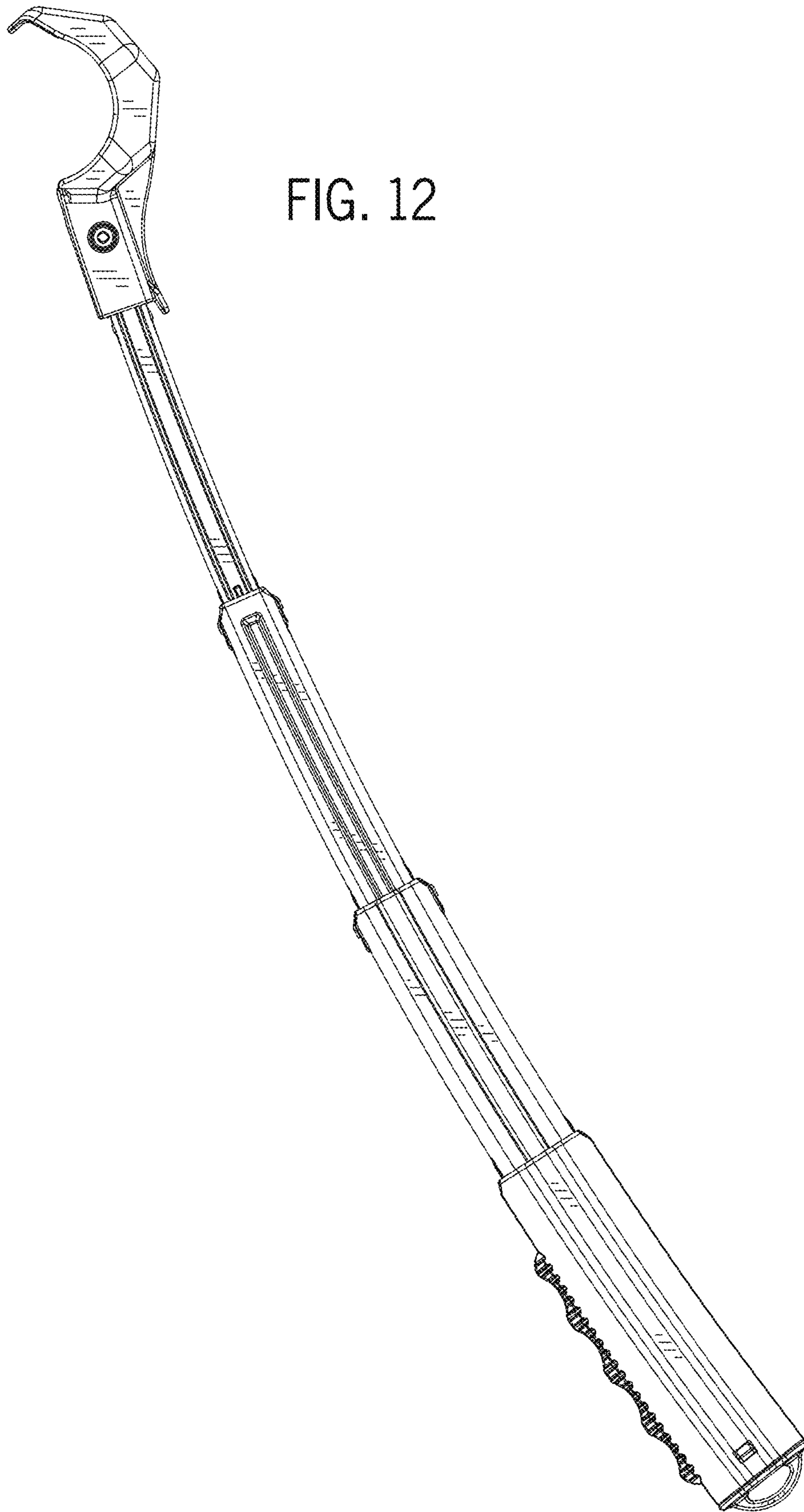


FIG. 12

FIG. 13

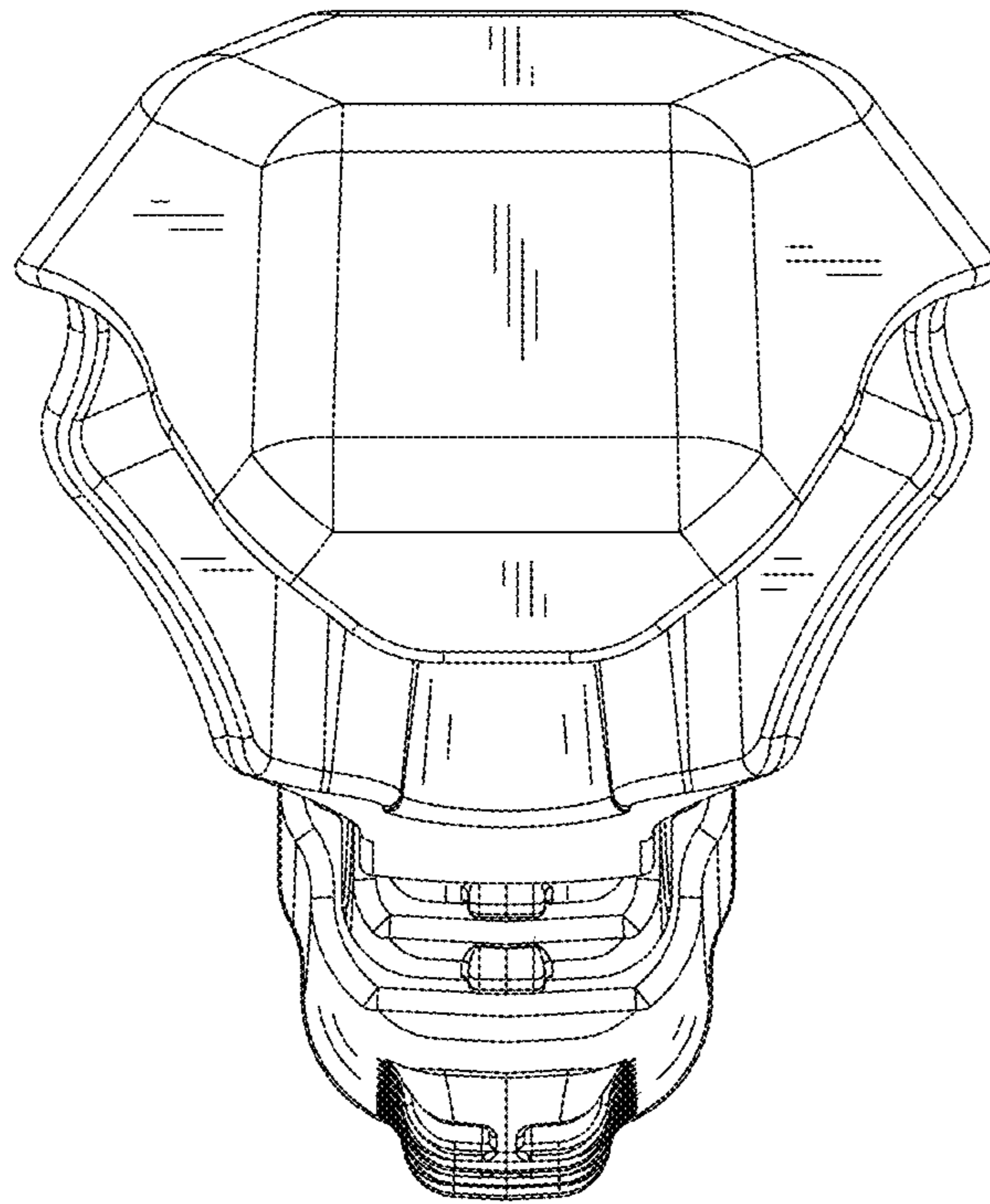


FIG. 14

