



US00D863472S

(12) **United States Design Patent** (10) **Patent No.:** **US D863,472 S**
Endelman (45) **Date of Patent:** **** Oct. 15, 2019**

- (54) **CARRIAGE SIT BOX FOR REFORMER EXERCISE APPARATUS**
- (71) Applicant: **Balanced Body, Inc.**, Sacramento, CA (US)
- (72) Inventor: **Ken Endelman**, Sacramento, CA (US)
- (73) Assignee: **BALANCED BODY, INC.**, Sacramento, CA (US)
- (**) Term: **15 Years**
- (21) Appl. No.: **29/678,160**
- (22) Filed: **Jan. 25, 2019**

Related U.S. Application Data

- (62) Division of application No. 15/434,493, filed on Feb. 16, 2017, now Pat. No. 10,245,462.
- (51) **LOC (12) Cl.** **21-02**
- (52) **U.S. Cl.**
USPC **D21/695**
- (58) **Field of Classification Search**
USPC D21/668, 688, 671, 686, 662, 689, 687, D21/413, 412, 423, 692, 694, 698, 760, D21/765, 766, 769, 803; 482/70, 79, 71, 482/132, 34, 146, 142, 93, 105, 110, 121, 482/123, 126, 130, 139, 141, 147, 148, 482/51, 52, 77; 472/135, 110, 14, 218, 472/269, 409, 451, 452; 600/595; 473/451, 452, 269, 409; D6/349, 353, D6/406.3, 582, 592, 685, 707.22; 280/205, 87.042, 609; D14/413, 419
CPC A63B 22/001; A63B 21/4035; A63B 22/0664; A63B 21/0552; A63B 21/225; A63B 2208/0204; A63B 21/0442
See application file for complete search history.

- (56) **References Cited**
U.S. PATENT DOCUMENTS
D330,057 S * 10/1992 Saunders D21/671
D330,234 S * 10/1992 Saunders D21/671
D330,235 S * 10/1992 Traetta D21/671
5,154,678 A * 10/1992 Adamczyk A63B 23/0458
108/90
D337,362 S * 7/1993 Goldstein D21/671
5,226,865 A * 7/1993 Chin A63B 23/0458
108/144.11
D342,298 S * 12/1993 Schnabel, Jr. D21/671
D346,630 S * 5/1994 Van Der Hoeven D21/671
(Continued)

OTHER PUBLICATIONS

Sitting Box by Balanced Body dated Aug. 18, 2017. Found online [May 24, 2019] <https://www.youtube.com/watch?v=VdZcVj0sk0U>.*

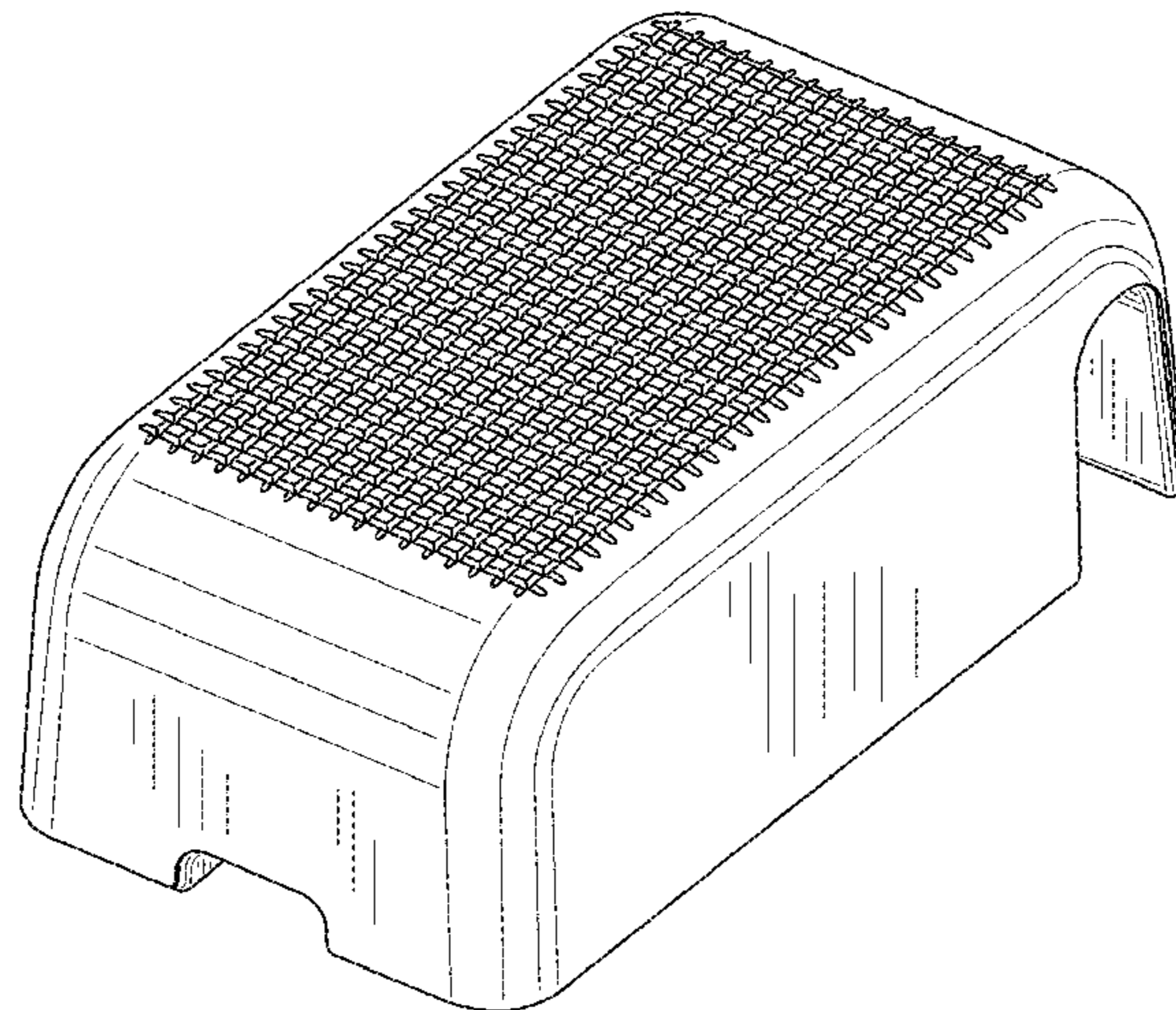
Primary Examiner — Ryan Harvey
(74) *Attorney, Agent, or Firm* — Greenberg Traurig, LLP

- (57) **CLAIM**
The ornamental design for a carriage sit box for reformer exercise apparatus, as shown and described herein.

DESCRIPTION

FIG. 1 is an upper perspective view of my new carriage sit box design.
 FIG. 2 is a right side elevational view of my new carriage sit box design.
 FIG. 3 is a left side elevational view of my new carriage sit box design.
 FIG. 4 is a head end elevational view of my new carriage sit box design shown in FIG. 1.
 FIG. 5 is a foot end elevational view my new carriage sit box shown in FIG. 1.
 FIG. 6 is a top plan view of my new carriage sit box design; and,
 FIG. 7 is a bottom plan view of my new carriage sit box design. Portions shown in dashed lines show environment only and form no part of the claimed design.

1 Claim, 4 Drawing Sheets



(56)

References Cited

U.S. PATENT DOCUMENTS

D353,636 S * 12/1994 Le Roux D21/671
D355,988 S * 3/1995 Brooking D6/349
D370,949 S * 6/1996 Furner D21/671
5,591,105 A * 1/1997 Dalebout A63B 23/0458
248/188.2
5,645,511 A * 7/1997 Le Roux A63B 23/0458
482/142
D555,741 S * 11/2007 Wachtfogel D21/662
D604,374 S * 11/2009 Bizzell D21/688
7,927,256 B2 * 4/2011 Flentye A63B 23/0458
482/142
8,348,812 B2 * 1/2013 Elpers A63B 23/0458
482/142
D695,367 S * 12/2013 Lovegrove D21/671
9,192,813 B2 * 11/2015 Ross A63B 23/0458
D775,285 S * 12/2016 Irwin D21/671
D794,726 S * 8/2017 Roseberry D21/687
D804,590 S * 12/2017 Hillson D21/671
D826,351 S * 8/2018 Brose D21/695
D839,009 S * 1/2019 Garbus D6/349
10,252,103 B2 * 4/2019 Irwin A63B 23/0458
2007/0117695 A1 * 5/2007 Endelman A63B 21/00047
482/140
2007/0270292 A1 * 11/2007 Laney A63B 21/0552
482/121
2008/0004167 A1 * 1/2008 Endelman A63B 21/00047
482/142
2011/0256987 A1 * 10/2011 Lepore A63B 23/0458
482/52
2017/0080284 A1 * 3/2017 Hillson A63B 23/0458
2018/0229071 A1 * 8/2018 Endelman A63B 21/4027

* cited by examiner

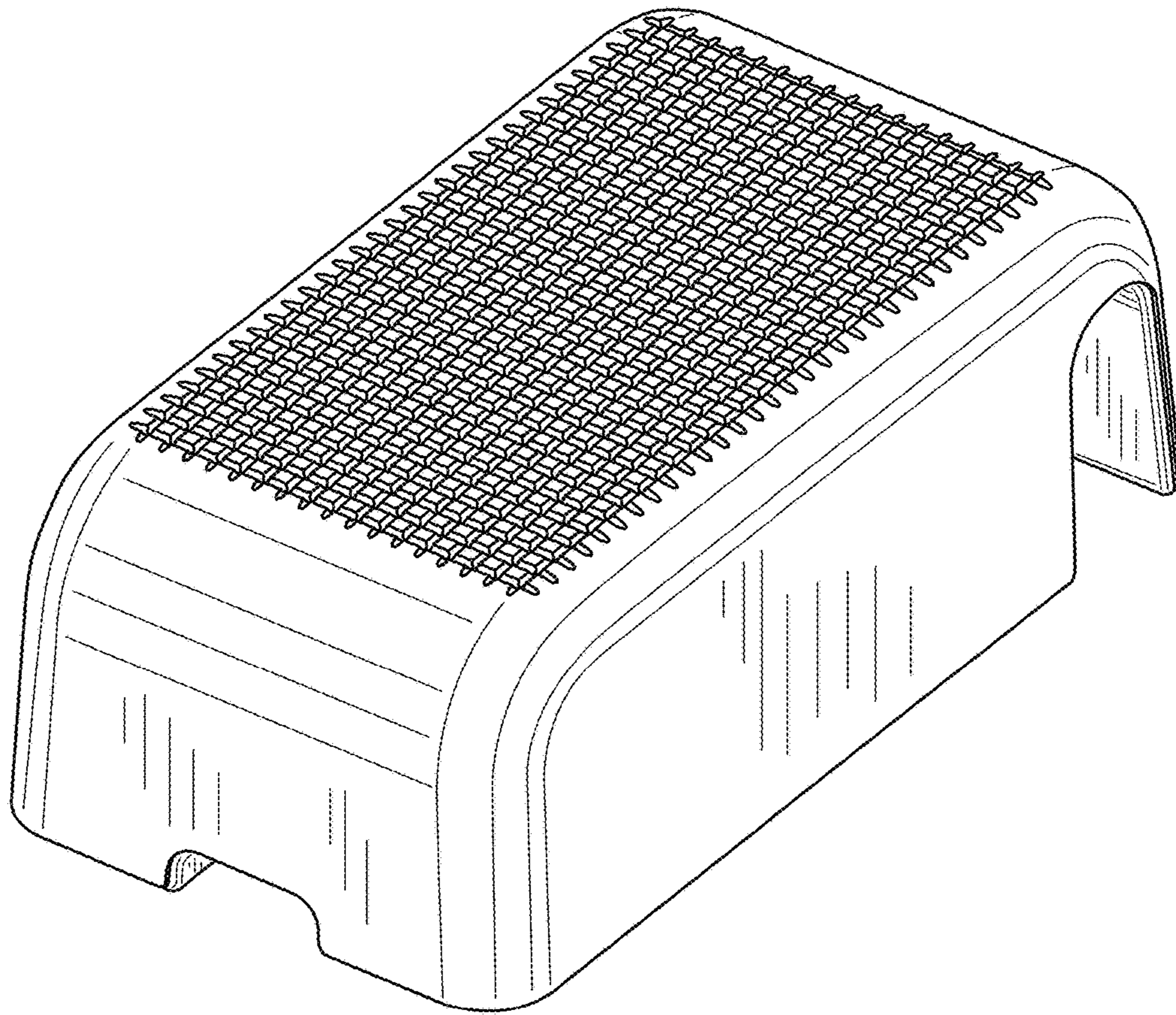


FIG.1

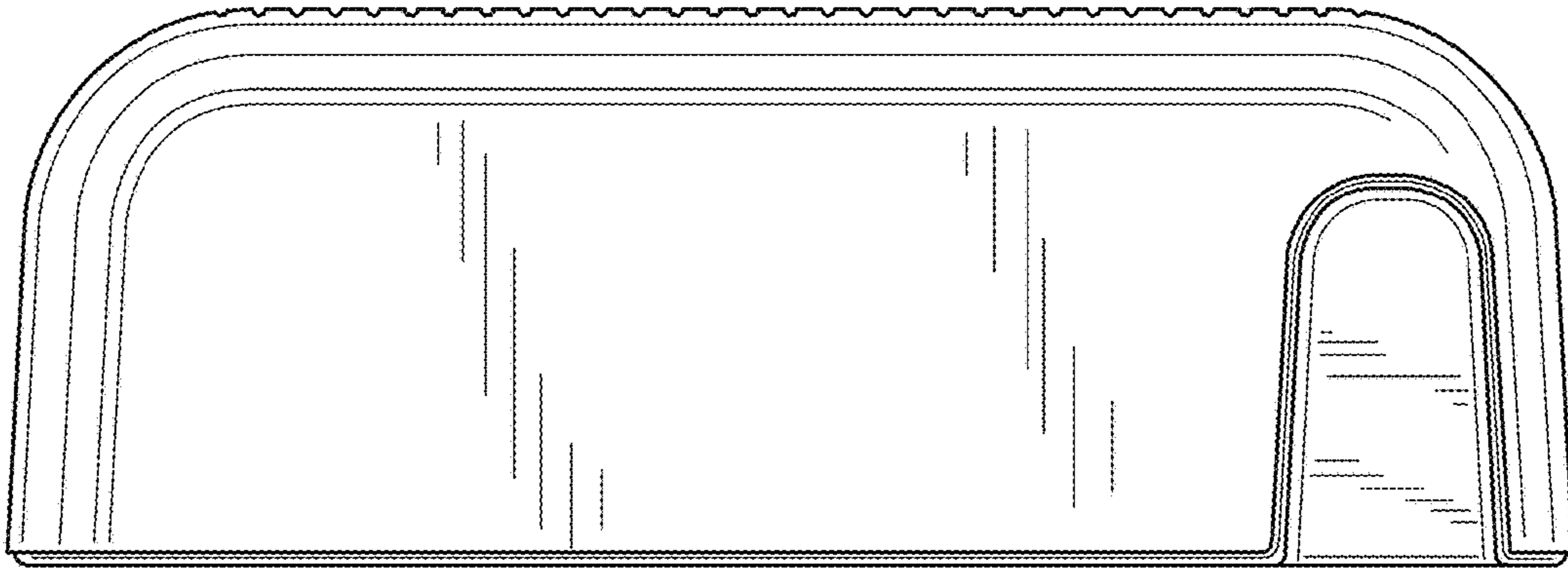


FIG. 2

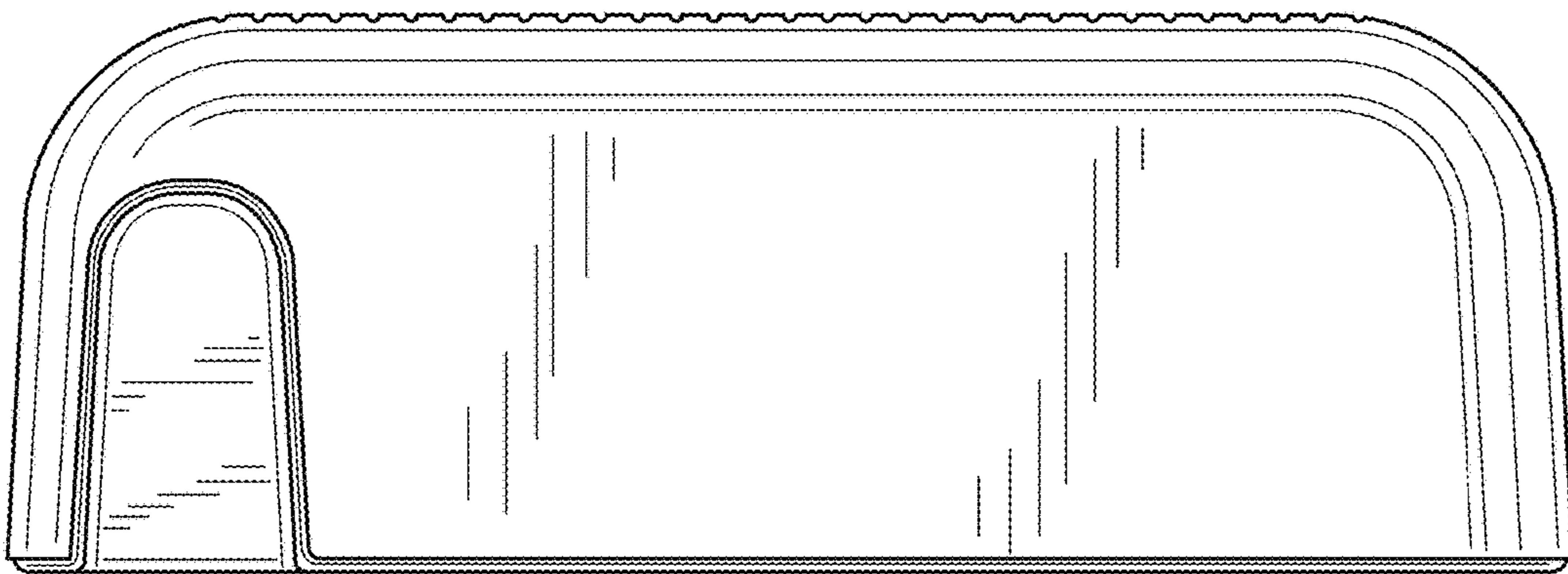


FIG. 3

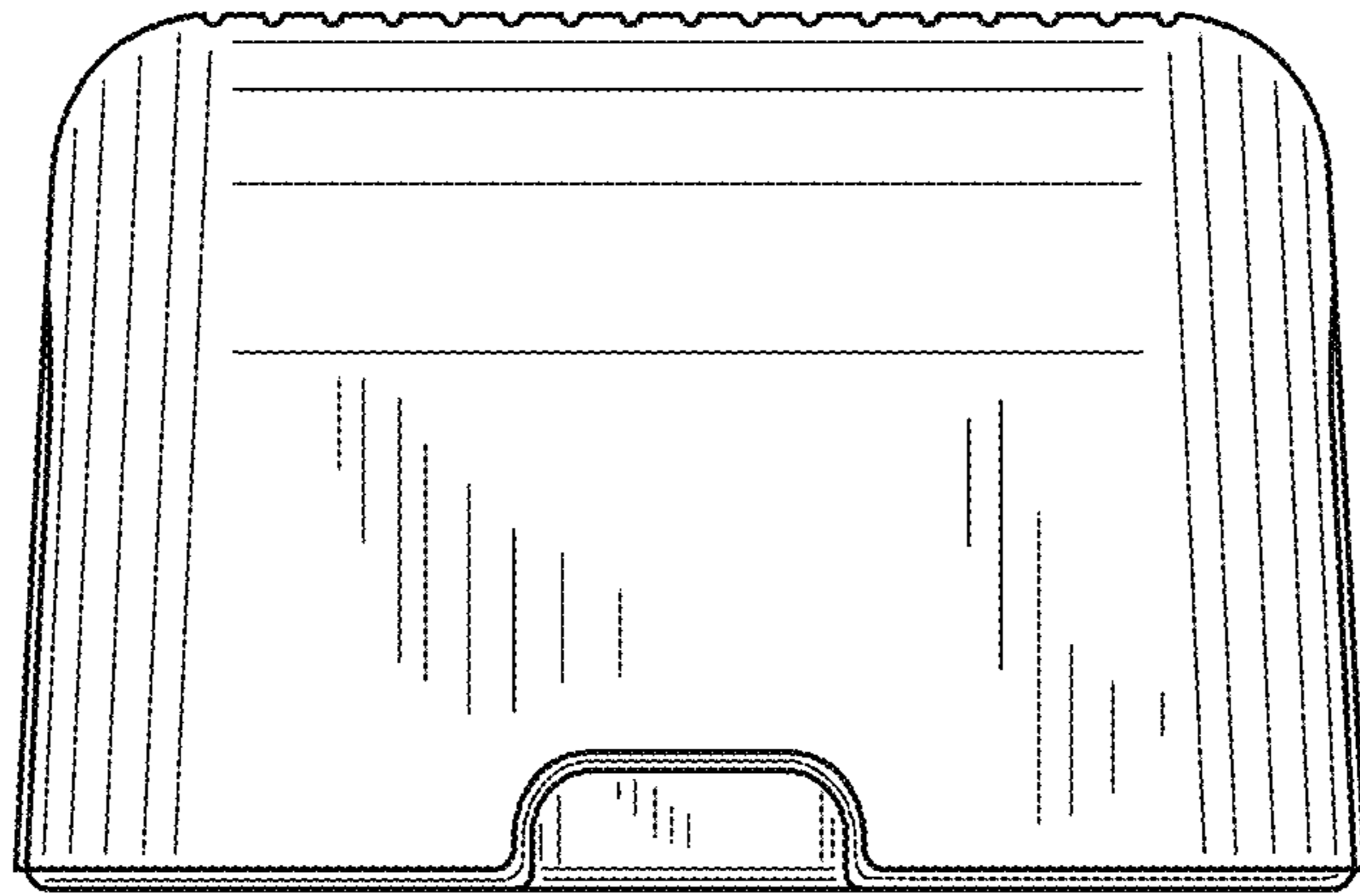


FIG. 4

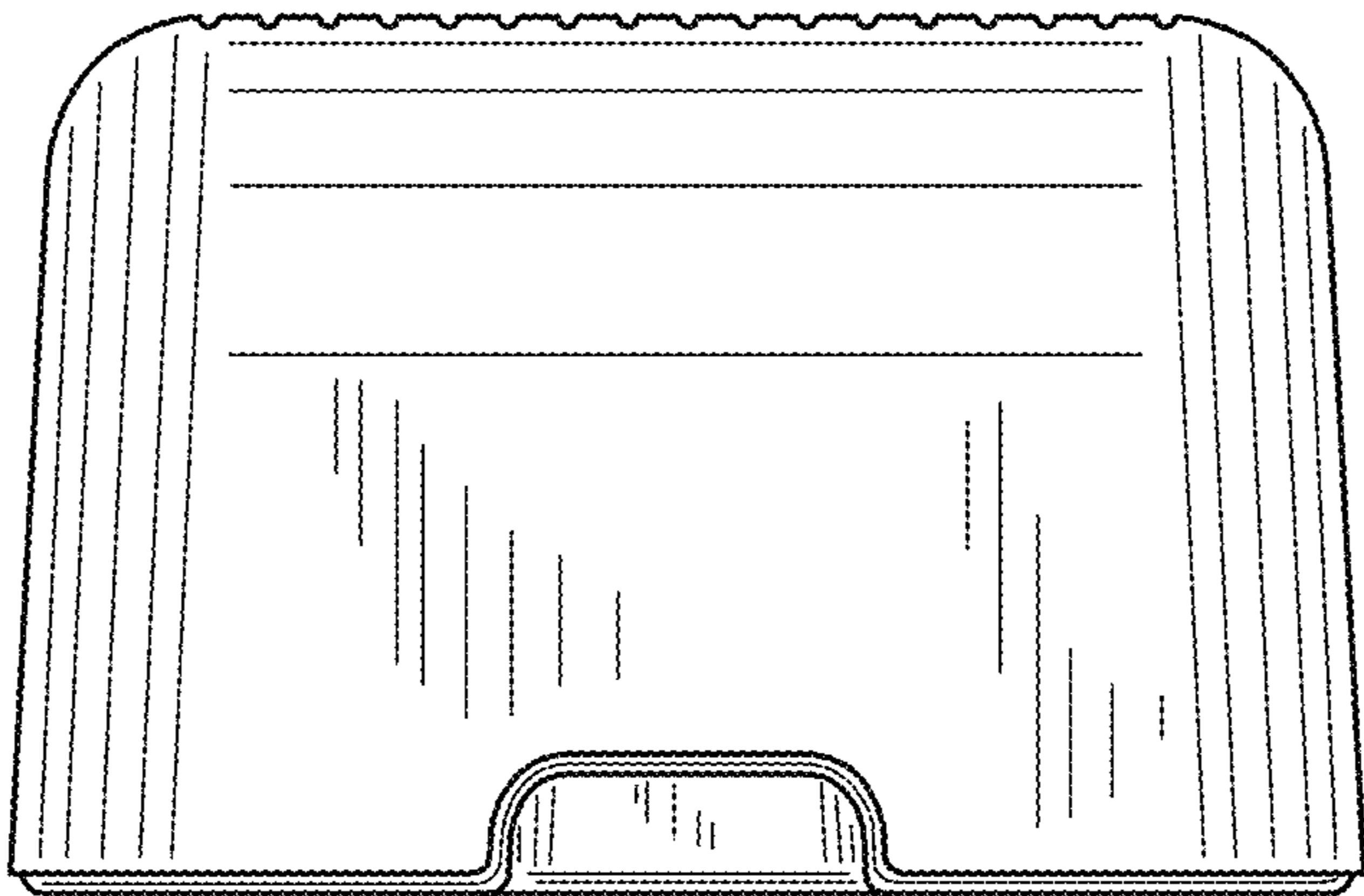


FIG. 5

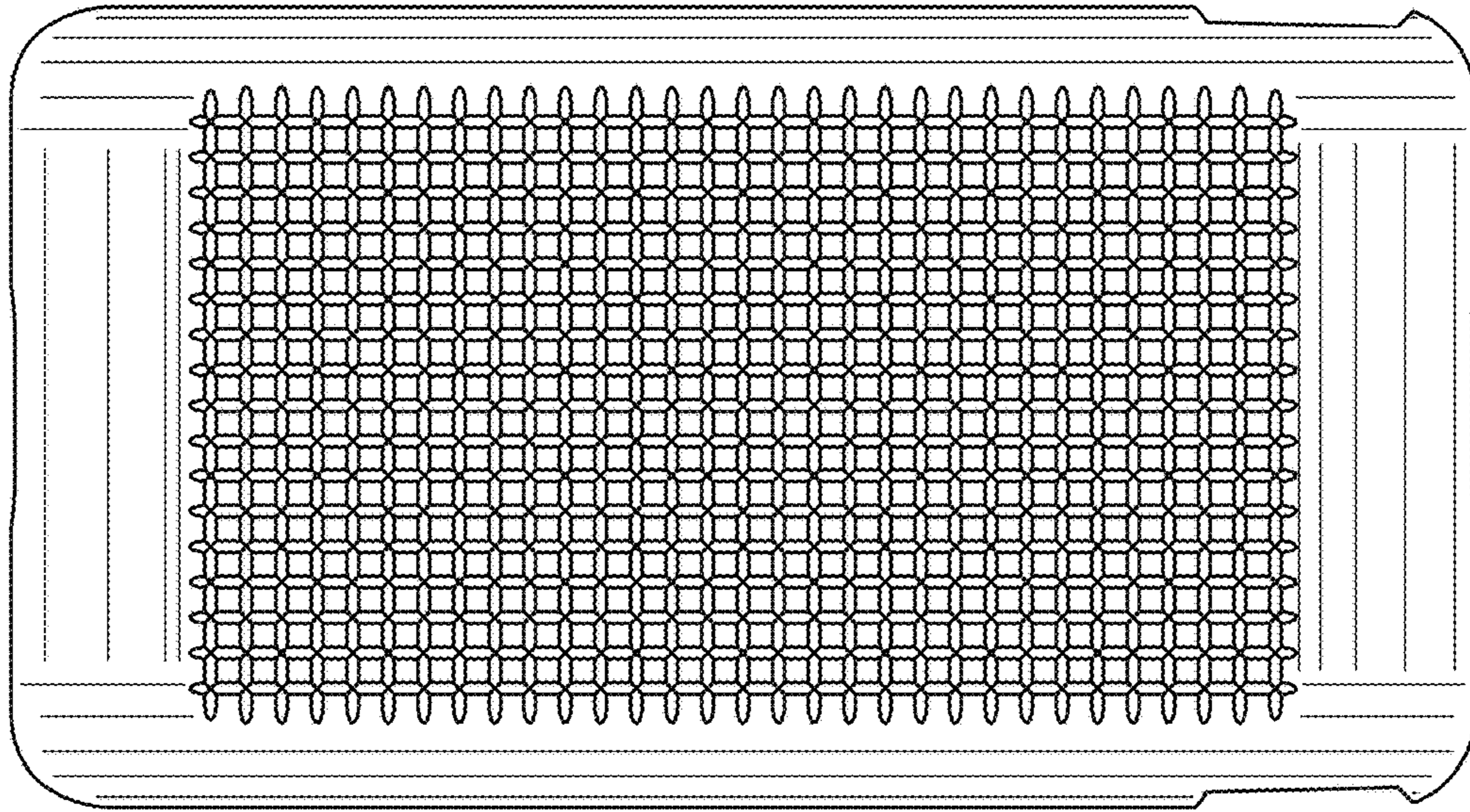


FIG. 6

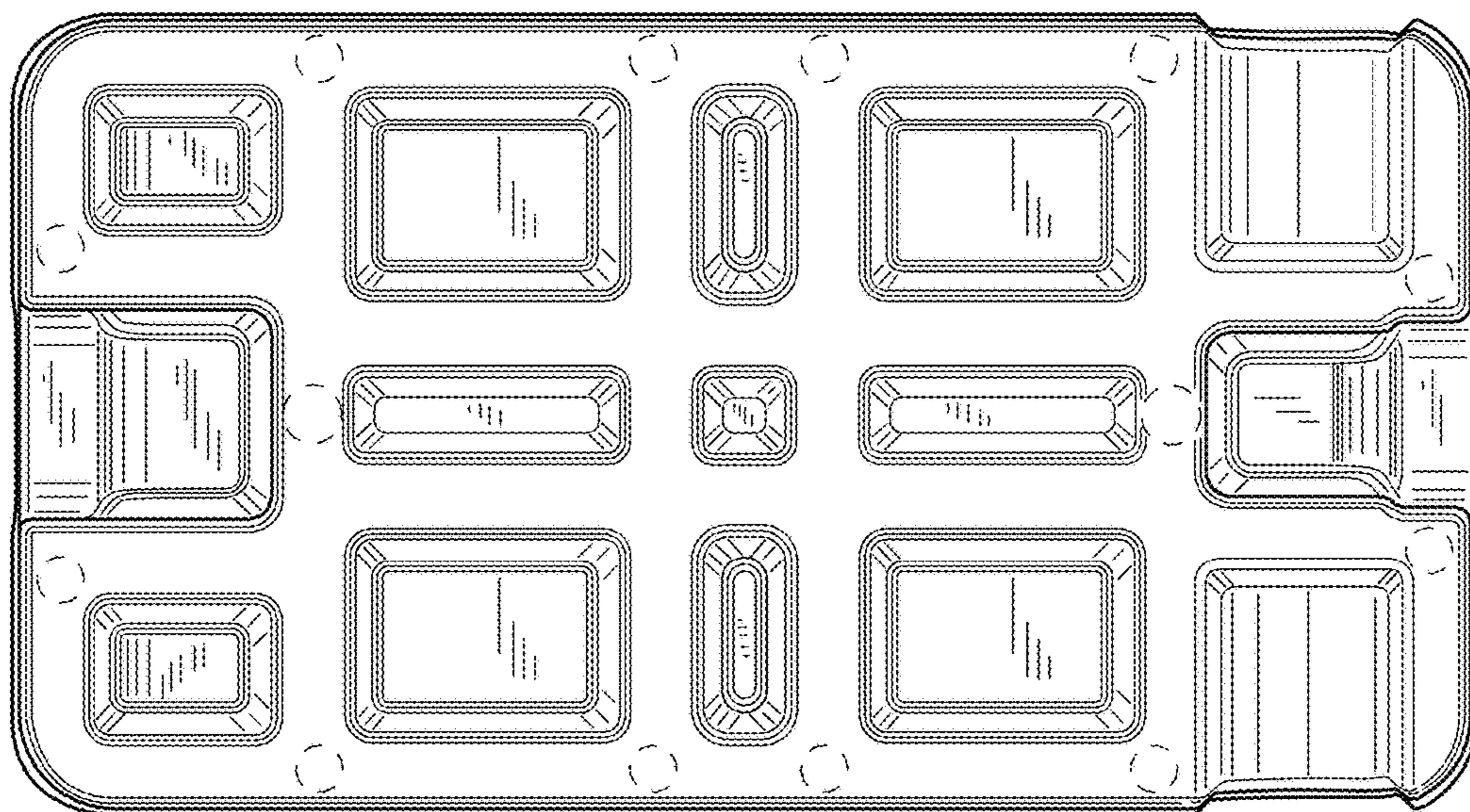


FIG. 7