



US00D863469S

(12) **United States Design Patent**
Tartell

(10) **Patent No.:** **US D863,469 S**

(45) **Date of Patent:** **** Oct. 15, 2019**

(54) **EXERCISE PLATFORM**

(71) Applicant: **Michael G. Tartell**, Roslyn, NY (US)

(72) Inventor: **Michael G. Tartell**, Roslyn, NY (US)

(**) Term: **15 Years**

(21) Appl. No.: **29/660,730**

(22) Filed: **Aug. 22, 2018**

Related U.S. Application Data

(63) Continuation-in-part of application No. 29/633,669, filed on Jan. 15, 2018, now Pat. No. Des. 849,857.

(51) **LOC (12) Cl.** **21-02**

(52) **U.S. Cl.**
USPC **D21/686**

(58) **Field of Classification Search**
USPC D21/668, 688, 685, 686, 689; 482/70, 482/79, 71, 132, 34, 146; 472/135, 110; 600/595; 473/451, 452, 269, 409; D6/349, 353
CPC A63B 26/003; A63B 22/16; A63B 22/18; A63B 2022/0033; A63B 69/0093; A63B 21/0004; A63B 2208/0204; A63B 22/14; A63B 22/203; A63B 23/03508; A63B 22/208

See application file for complete search history.

(56) **References Cited**

U.S. PATENT DOCUMENTS

- 3,559,986 A * 2/1971 Ehrmantraut A63B 23/03533 482/132
- D225,342 S * 12/1972 Flick et al. D21/668
- D225,343 S * 12/1972 Flick D21/668
- 4,088,325 A * 5/1978 Sutton A63B 69/3667 472/110
- 4,505,477 A * 3/1985 Wilkinson A63B 22/16 280/87.041

- 4,759,542 A * 7/1988 Hudec A63B 22/14 482/146
- D313,521 S * 1/1991 Hassel D6/349
- 5,328,421 A * 7/1994 Stanalajczo A63B 22/16 482/34
- 5,435,320 A * 7/1995 Seitz A61B 5/1036 600/595
- D367,968 S * 3/1996 Hatcher D6/349
- D371,462 S * 7/1996 Grossmith D6/349
- D383,510 S * 9/1997 Bernardson D21/688

(Continued)

Primary Examiner — Ryan Harvey

(74) *Attorney, Agent, or Firm* — Collard & Roe, P.C.

(57) **CLAIM**

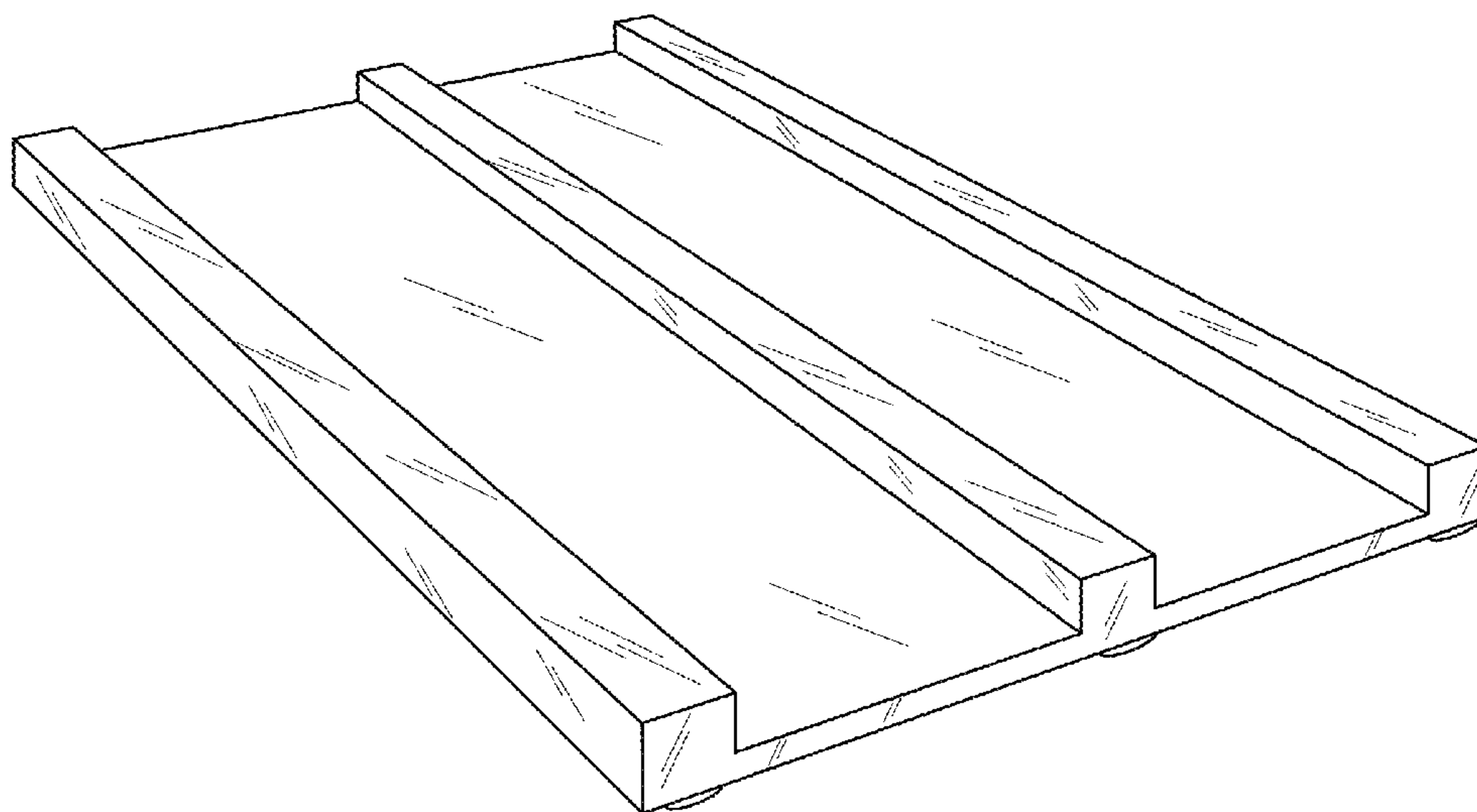
The ornamental design for an exercise platform, as shown and described.

DESCRIPTION

FIG. 1 is a front view of an exercise platform;
 FIG. 2 is a first end view of the exercise platform of FIG. 1;
 FIG. 3 is a second end view of the exercise platform of FIG. 1 opposite the view of FIG. 2;
 FIG. 4 is a left-side view of the platform based upon the orientation of FIG. 1;
 FIG. 5 is a right-side view of the exercise platform based upon the orientation of FIG. 1;
 FIG. 6 is a back view of the exercise platform opposite the top side view of FIG. 1 with recesses for receiving a support bracket at the top end;
 FIG. 7 is a front-left perspective view of the exercise platform thereof;
 FIG. 8 is a front-right perspective view of the exercise platform thereof; and,
 FIG. 9 is a side view of the exercise platform elevated on one side with a support bracket.

The broken lines and areas within the broken lines illustrate portions of the exercise platform that form no part of the claimed design.

1 Claim, 7 Drawing Sheets



(56)

References Cited

U.S. PATENT DOCUMENTS

D390,711	S *	2/1998	Pearl	D6/349
5,916,036	A *	6/1999	Hamilton	A63B 69/3667
				473/269
6,666,797	B1 *	12/2003	Martin	A63B 69/0093
				482/146
6,705,977	B1 *	3/2004	Ziak	A63B 21/0004
				472/135
D622,787	S *	8/2010	Masterson	D21/668
D623,244	S *	9/2010	Hoffman	D21/668
D648,403	S *	11/2011	Hanifee	D21/688
9,162,133	B2 *	10/2015	Schroer	A63B 69/3661
9,931,540	B1 *	4/2018	Lazar	A63B 26/003
10,080,945	B2 *	9/2018	Brown	A63B 22/16
10,112,070	B2 *	10/2018	Kao	A63B 21/4034
2001/0036885	A1 *	11/2001	Castellot, Jr.	A63B 21/012
				482/79
2006/0142099	A1 *	6/2006	Trucks	A63B 69/0002
				473/452
2007/0202970	A1 *	8/2007	Miller	A63B 69/0002
				473/451
2009/0029789	A1 *	1/2009	Davies	A63B 69/3667
				473/218
2009/0098983	A1 *	4/2009	Hoffman	A63B 21/055
				482/70
2011/0263398	A1 *	10/2011	Klassen	A63B 22/16
				482/146

* cited by examiner

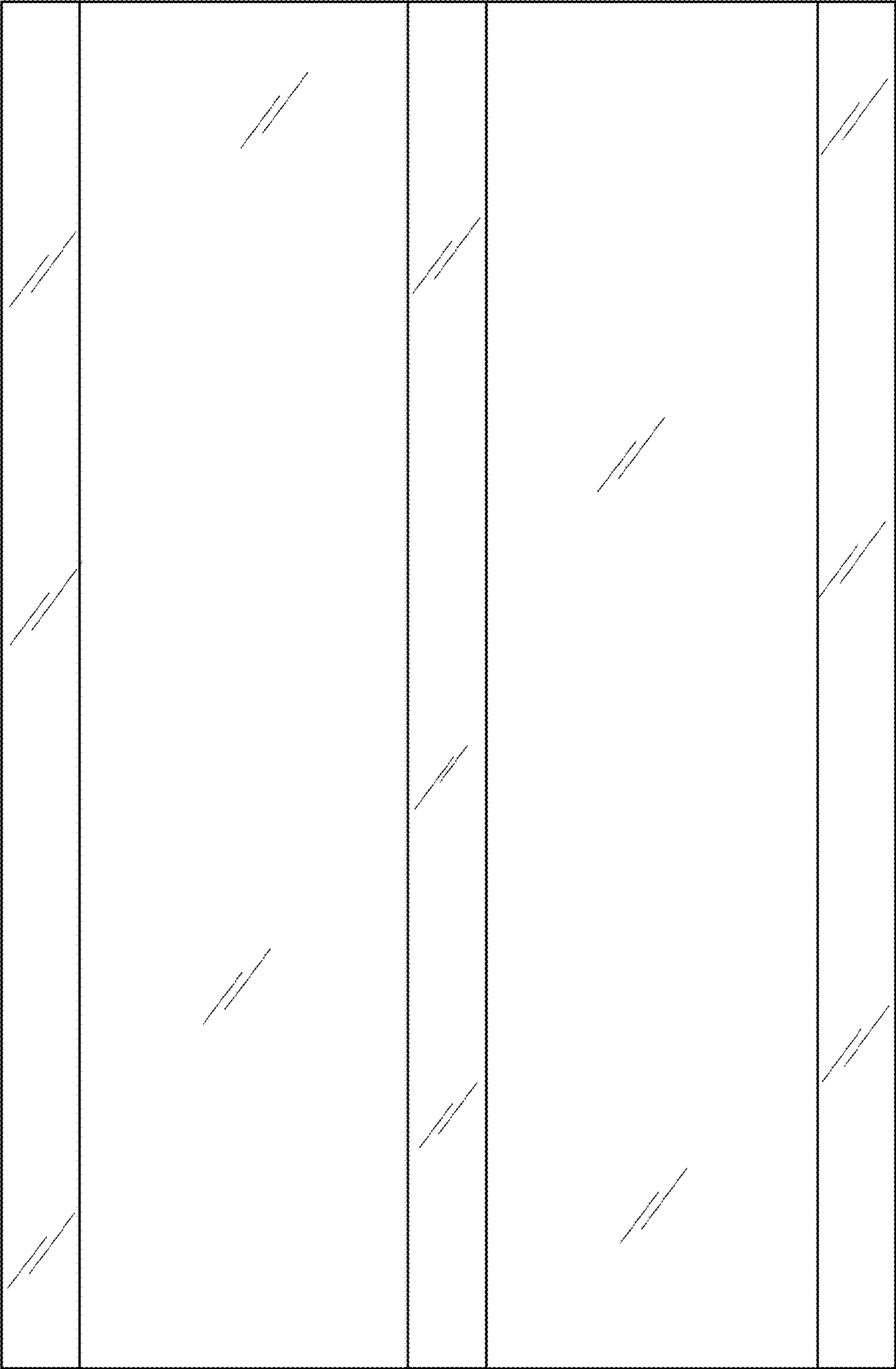


FIG. 1

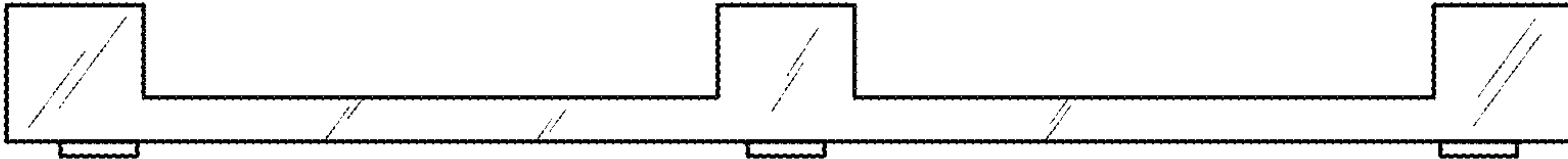


FIG. 2

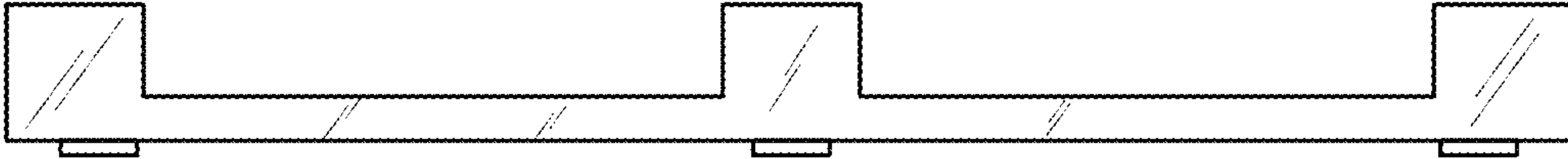


FIG. 3



FIG. 4

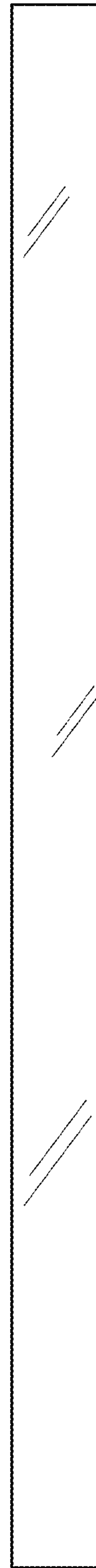


FIG. 5

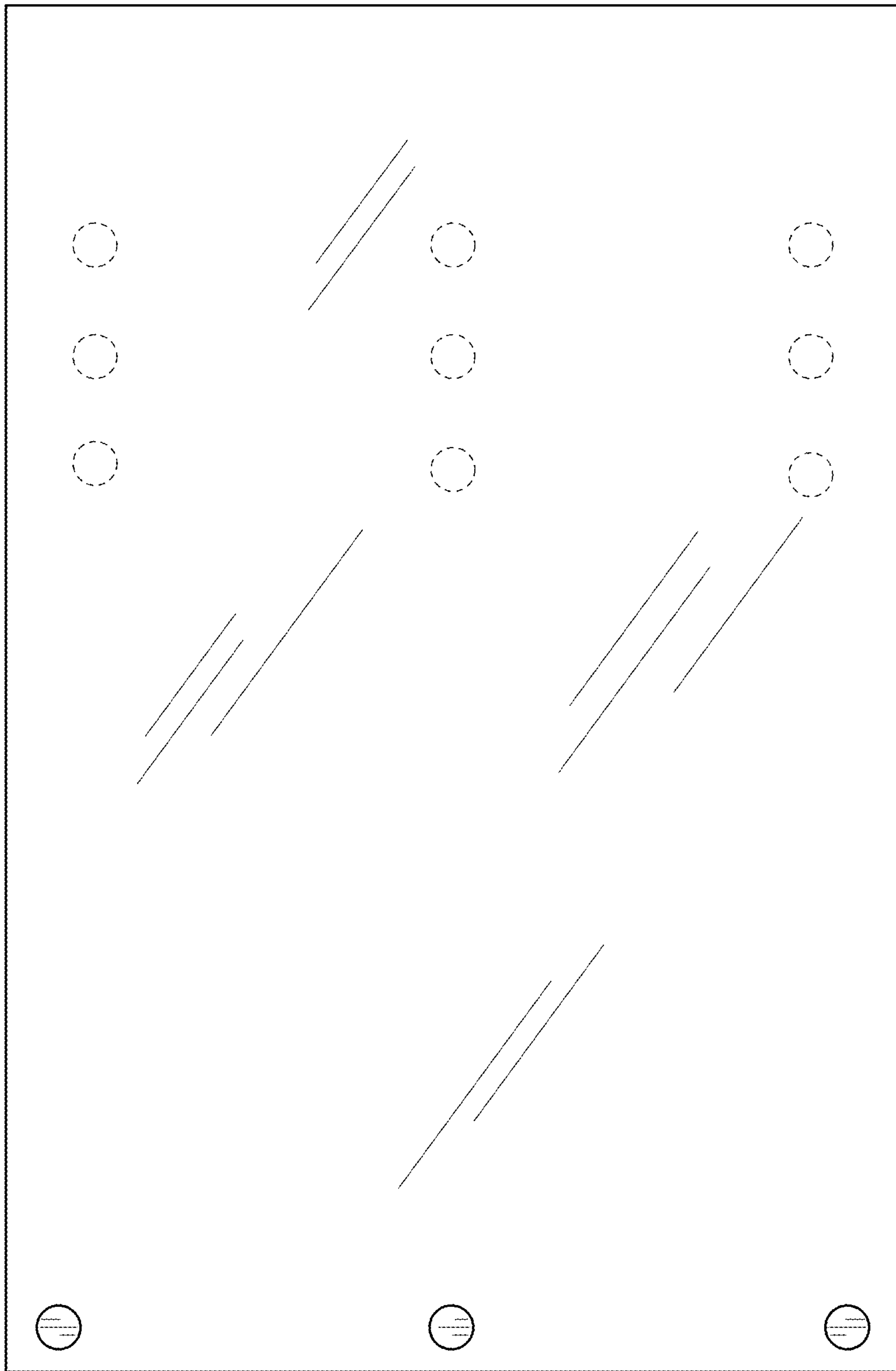


FIG. 6

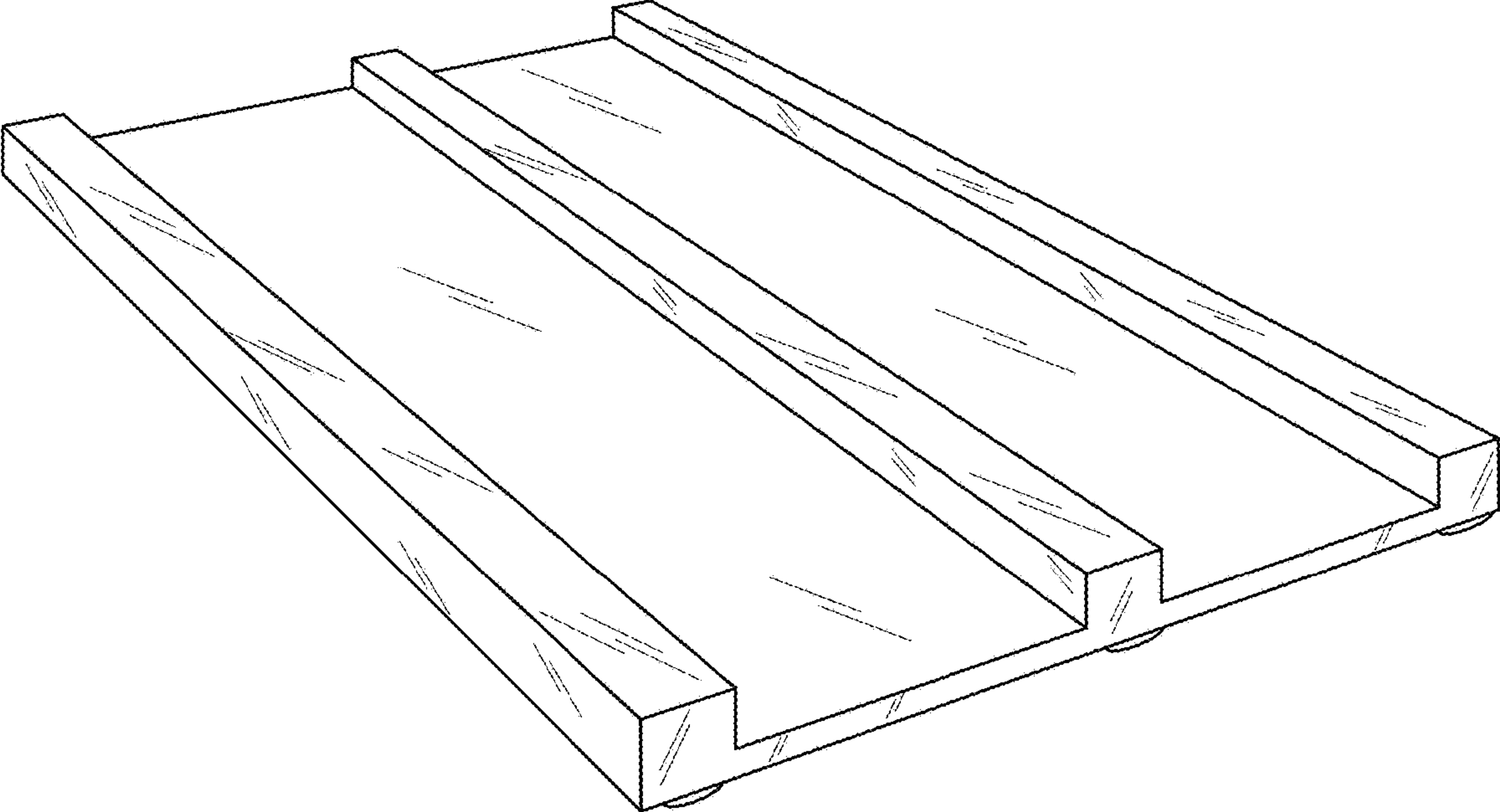


FIG. 7

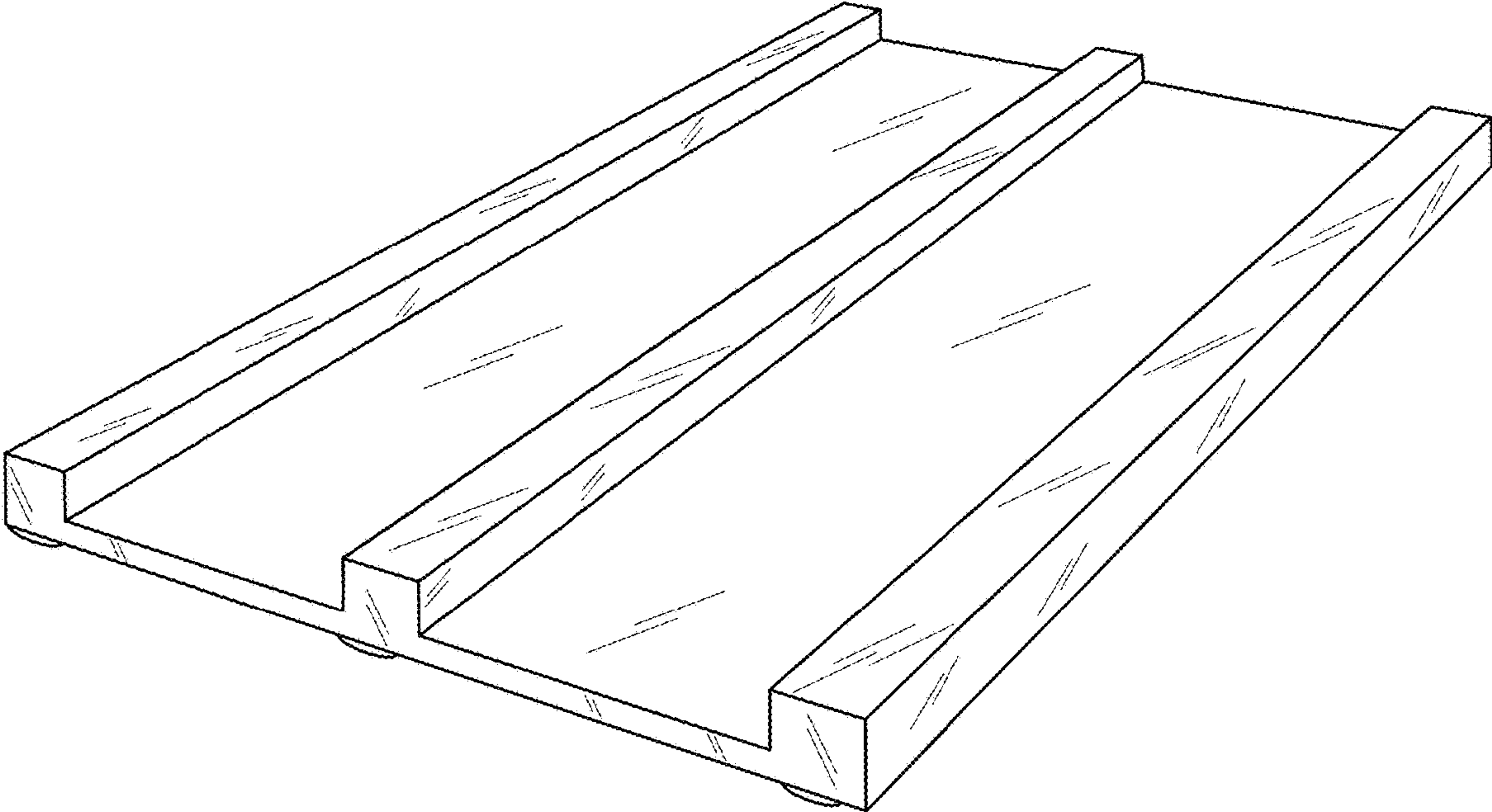


FIG. 8

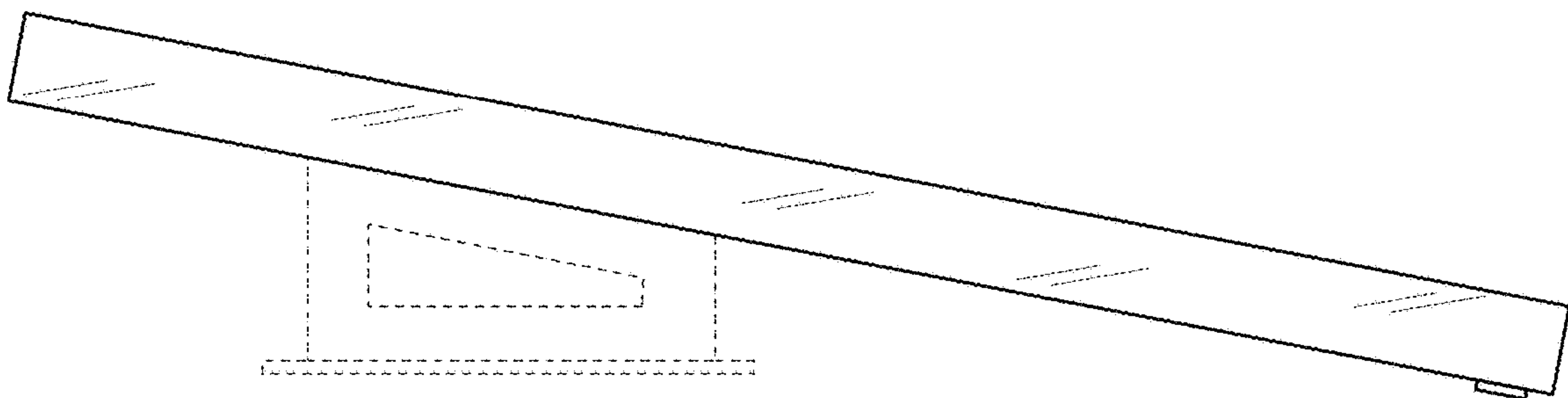


FIG. 9