

US00D863465S

(12) **United States Design Patent** (10) **Patent No.:** **US D863,465 S**
Lentine et al. (45) **Date of Patent:** **** Oct. 15, 2019**

- (54) **STATIONARY BICYCLE**
- (71) Applicant: **DaVinci II CSJ, LLC**, Fairfield, NJ
(US)
- (72) Inventors: **Lou Lentine**, Chattanooga, TN (US);
Yu Chi Zhou, Xiamen (CN)
- (73) Assignee: **DaVinci II CSJ, LLC**, Fairfield, NJ
(US)

D279,700 S * 7/1985 Beistegui Chirapozu ... D21/667
D280,003 S * 8/1985 Kiiski D21/667
D280,227 S * 8/1985 LaMarsh D21/665
(Continued)

FOREIGN PATENT DOCUMENTS

CN 303740505 7/2016
CN 205460688 8/2016
(Continued)

(**) Term: **15 Years**

(21) Appl. No.: **29/637,933**

(22) Filed: **Feb. 22, 2018**

(51) **LOC (12) Cl.** **21-02**

(52) **U.S. Cl.**
USPC **D21/663**

(58) **Field of Classification Search**
USPC D21/663, 667, 666, 697, 694, 665, 668,
D21/664, 690, 676, 670; 482/57, 62,
482/111, 139, 145, 60, 51, 123, 72, 61,
482/58, 9; 74/502.4, 502.6, 594.2, 594.1,
74/48; D12/178, 411, 345; D23/382,
D23/381, 378, 412, 411; D13/115;
D15/7

CPC . A63B 22/0605; A63B 21/225; A63B 22/001;
A63B 22/0664; A63B 21/4047

See application file for complete search history.

(56) **References Cited**

U.S. PATENT DOCUMENTS

- 2,964,973 A * 12/1960 Bergfors A61H 1/0214
601/32
- D218,623 S * 9/1970 Margolies 482/57
- 3,578,800 A * 5/1971 DiNepi A63B 22/0605
482/57
- D233,160 S * 10/1974 Jouk D21/663
- 3,940,128 A * 2/1976 Ragone A63B 22/001
482/62
- D251,309 S * 3/1979 Nelson D21/667
- D264,235 S * 5/1982 Beistegui Chirapozu ... D21/663

Sunny Health Fitness by Sunny Health and Fitness dated Nov. 26,
2017. Found online [Mar. 18, 2019] https://www.amazon.com/Sunny-Health-Fitness-Monitoring-Adjustable/dp/B076C19CDS/ref=sr_1_8?keywords=stationary+bike&qid=1552779735&s=gateway&sr=8-8.*

(Continued)

Primary Examiner — Ryan Harvey
(74) *Attorney, Agent, or Firm* — Cooper & Dunham LLP

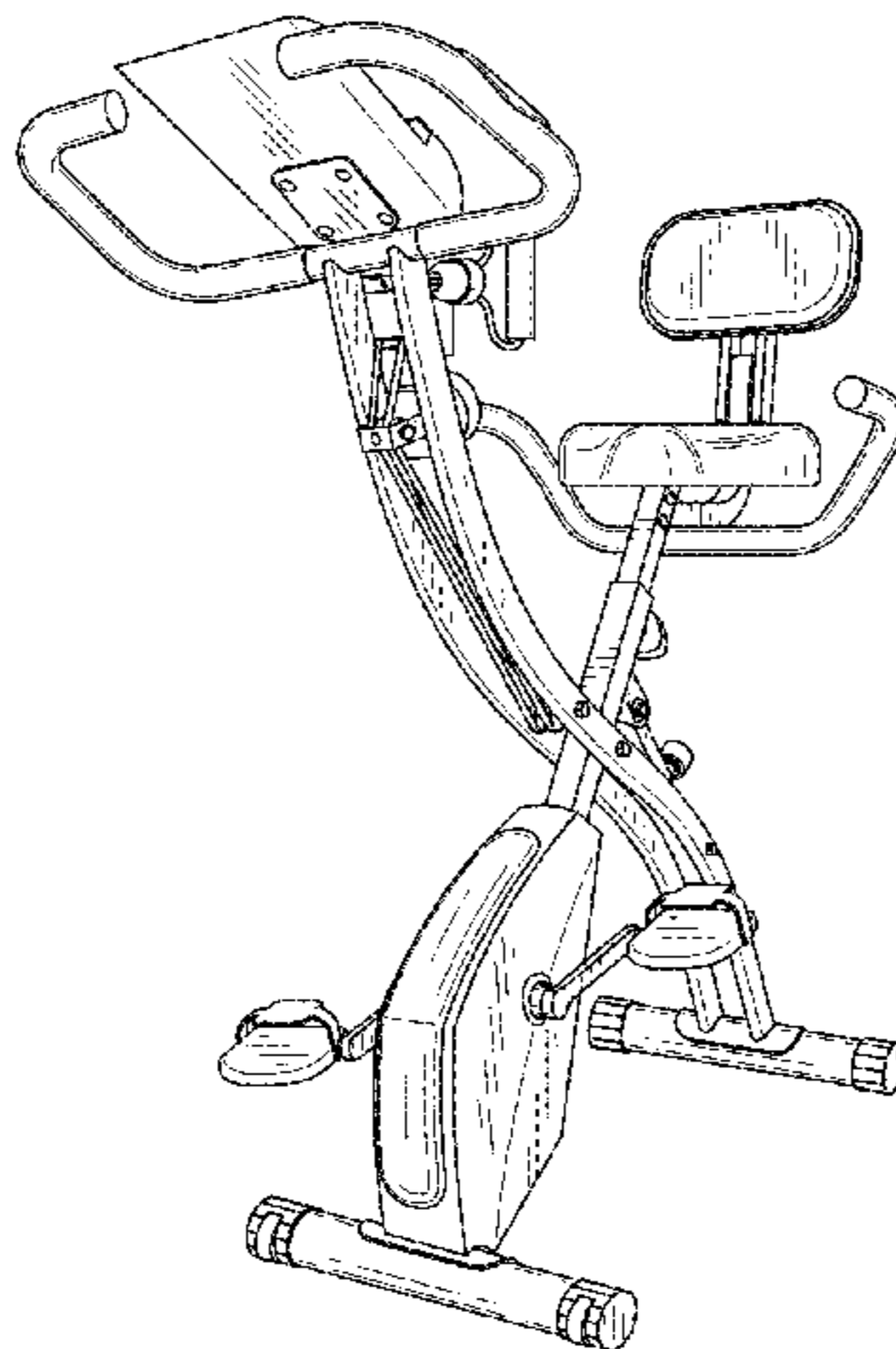
(57) **CLAIM**

The ornamental design for a stationary bicycle, as shown and described.

DESCRIPTION

FIG. 1 is a top perspective view of a stationary bicycle in accordance with the present design;
FIG. 2 is a front view thereof;
FIG. 3 is a back view thereof;
FIG. 4 is a left side view thereof;
FIG. 5 is a right side view thereof;
FIG. 6 is a top view thereof;
FIG. 7 is a bottom view thereof;
FIG. 8 is a right side view of the stationary bicycle shown in a first alternative position; and,
FIG. 9 is a right side view of the stationary bicycle shown in a second alternative position.

1 Claim, 8 Drawing Sheets



(56)

References Cited

OTHER PUBLICATIONS

U.S. PATENT DOCUMENTS

4,625,963 A * 12/1986 Lancellotti A63B 21/04
482/130
D299,504 S * 1/1989 Hong D21/667
D299,671 S * 1/1989 Anitua D21/663
D306,626 S * 3/1990 Szymiski D21/663
D307,166 S * 4/1990 Wu D21/667
D309,335 S * 7/1990 Yang D21/667
D309,337 S * 7/1990 Yang D21/667
5,145,480 A * 9/1992 Wang A63B 21/0051
482/5
D381,379 S * 7/1997 Lee D21/663
D406,288 S * 3/1999 Chen D21/663
D407,767 S * 4/1999 Chang D21/663
5,971,894 A * 10/1999 Chen A63B 22/0605
482/57
6,039,676 A * 3/2000 Clive A63B 22/0605
482/57
D429,508 S * 8/2000 Clive D21/663
6,273,845 B1 * 8/2001 Liou A63B 21/0051
188/164
D461,210 S * 8/2002 Fon D21/666
6,569,063 B2 * 5/2003 Chen A63B 21/0051
482/57
D478,135 S * 8/2003 Mival D21/663
D480,119 S * 9/2003 Chen D21/663
D526,031 S * 8/2006 Corbalis D21/663
7,621,852 B2 11/2009 Bowser
8,562,495 B2 10/2013 Ladd et al.
8,608,631 B2 12/2013 Mitchell
9,750,343 B2 * 9/2017 McBride A47B 83/02
D807,443 S * 1/2018 Hsieh D21/667
10,052,516 B1 * 8/2018 Lin A63B 22/001
D831,758 S * 10/2018 Pei D21/663
2007/0161467 A1 * 7/2007 Lee A63B 69/04
482/57
2007/0173381 A1 * 7/2007 Chen A63B 21/0051
482/57
2008/0119333 A1 5/2008 Bowser
2012/0322625 A1 * 12/2012 Park A63B 22/0012
482/62
2015/0335936 A1 * 11/2015 Shakespeare A63B 21/0084
482/58
2016/0346595 A1 12/2016 Dalebout et al.
2017/0043207 A1 * 2/2017 Zeng A63B 22/0012
2017/0259111 A1 * 9/2017 Hsieh A63B 22/0605
2017/0291062 A1 * 10/2017 Chang A63B 21/4034
2018/0078807 A1 * 3/2018 Ho A63B 21/068
2018/0117383 A1 * 5/2018 Workman A63B 21/00069

FOREIGN PATENT DOCUMENTS

CN 206896686 1/2018
GB 2108000 5/1983

Breakthrough Fitness by Bulb Head dated no date given. Found online [Mar. 18, 2019]. <https://www.bulbhead.com/collections/frontpage/products/slim-cycle>.*

Slim Cycle 2-in-1 by BulbHead dated Dec. 21, 2018. Found online [Mar. 18, 2019] https://www.amazon.com/Slim-Cycle-Stationary-Bike-Resistance/product-reviews/B07J4VF676/ref=cm_cr_getr_d_paging_btm_next_7?ie=UTF8&reviewerType=all_reviews&sortBy=recent&pageNumber=7.*

BulbHead Slim by Bulbhead dated Dec. 21, 2018. Found online [Mar. 18, 2019] https://www.amazon.com/BulbHead-Stationary-Equipment-Transforms-Recumbent/dp/B07MFQZHZW/ref=cm_cr_ar_p_d_product_top?ie=UTF8.*

Pleny 3-in-1 by Plenny dated Oct. 11, 2018. Found online [Mar. 18, 2019] https://www.amazon.com/PLENY-Exercise-Backrest-Adjustable-Resistance/product-reviews/B07CWQPGZ6/ref=cm_cr_getr_d_paging_btm_next_4?ie=UTF8&reviewerType=all_reviews&sortBy=recent&pageNumber=4.*

Pleny Foldable Upright by Plenny dated Jul. 25, 2017. Found online [Mar. 18, 2019] https://www.amazon.com/PLENY-Foldable-Stationary-Exercise-Resistance/product-reviews/B071NL3QZX/ref=cm_cr_getr_d_paging_btm_next_13?ie=UTF8&reviewerType=all_reviews&sortBy=recent&pageNumber=13.*

Merax Folding 3 in 1 by Merax dated Jul. 22, 2018. Found online [Mar. 18, 2019] https://www.amazon.com/Merax-Adjustable-Convertible-Recumbent-Resistance/product-reviews/B07P7SG8ZT/ref=cm_cr_getr_d_paging_bt_next_4?ie=UTF8&reviewerType=all_reviews&sortBy=recent&pageNumber=4.*

MaxKare Exercise Bike by Maxcare dated Jan. 7, 2019. Found online [Mar. 18, 2019] https://www.amazon.com/MaxKare-Exercise-Stationary-Resistance-Recumbent/product-reviews/B07L3SRQM4/ref=cm_cr_getr_d_paging_btm_next_6?ie=UTF8&reviewerType=all_reviews&pageNumber=6&sortBy=recent.*

Xspec by Xspec dated Jun. 23, 2015. Found online [Mar. 18, 2019] https://www.amazon.com/Xspec-Upgraded-Recumbent-Foldable-Exercise/product-reviews/B078NVL2Q1/ref=cm_cr_getr_d_paging_btm_next_5?ie=UTF8&reviewerType=all_reviews&sortBy=recent&pageNumber=5.*

Pleny Upright Exercise Bike, available at <http://www.plenyfitness.com/product/pleny-foldable-upright-stationary-exercise-bike/>, accessed Feb. 14, 2018.

Echelon, available at <https://www.viatekproducts.com/collections/echelon/products/echelon-flex-bike-ultra>, accessed Feb. 14, 2018.

Stowable Fully Body Exercise Bike, available at <https://www.hammacher.com/Product/Default.aspx?sku=88142>, accessed Feb. 14, 2018.

Wayflex Cycle, available at <https://www.wayflexfitness.com/wayflex-cycle>, accessed Feb. 14, 2018.

European search report dated Jul. 12, 2019 in connection with corresponding European patent application No. 19158567.8.

* cited by examiner

FIG. 1

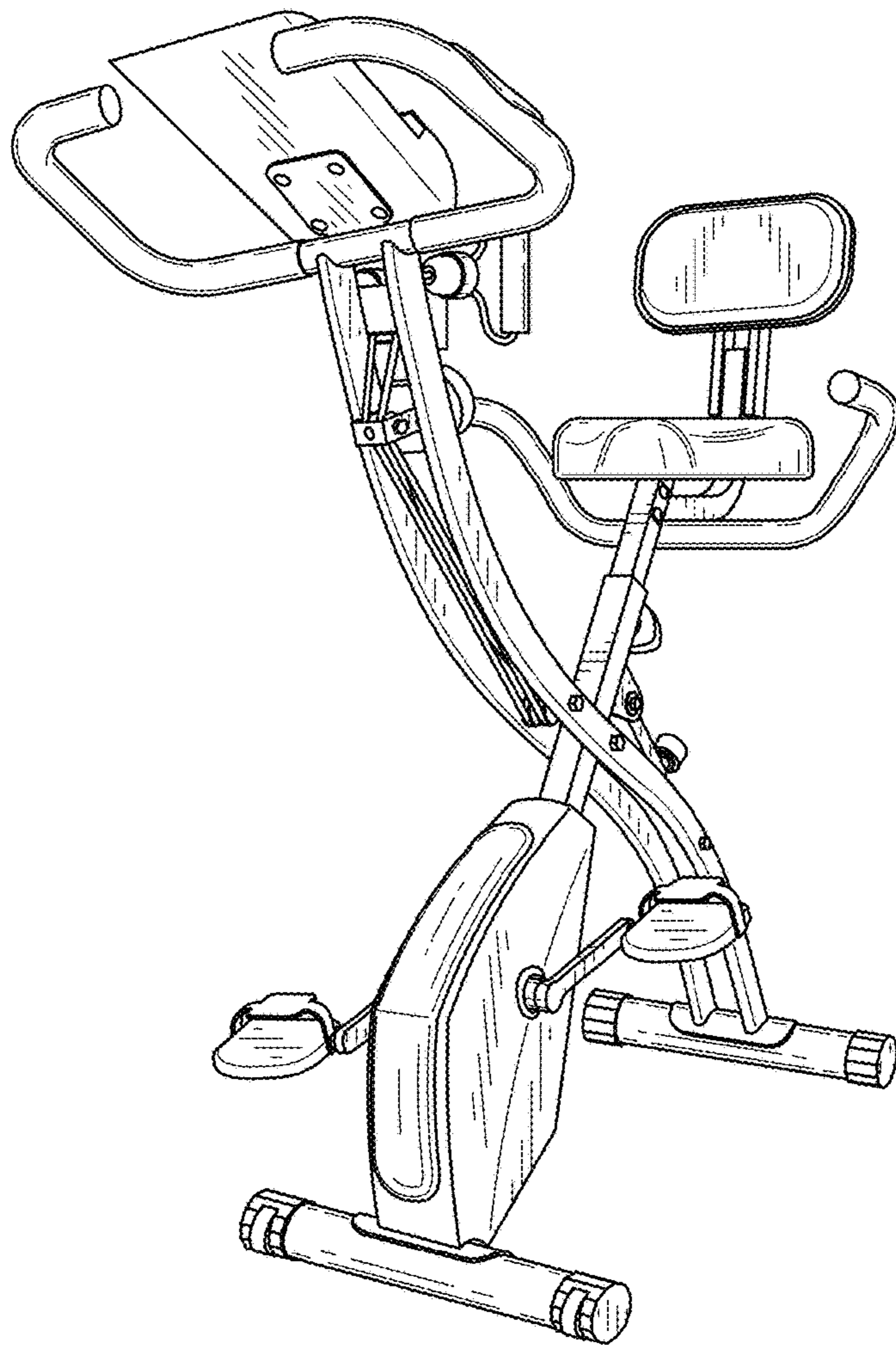


FIG. 3

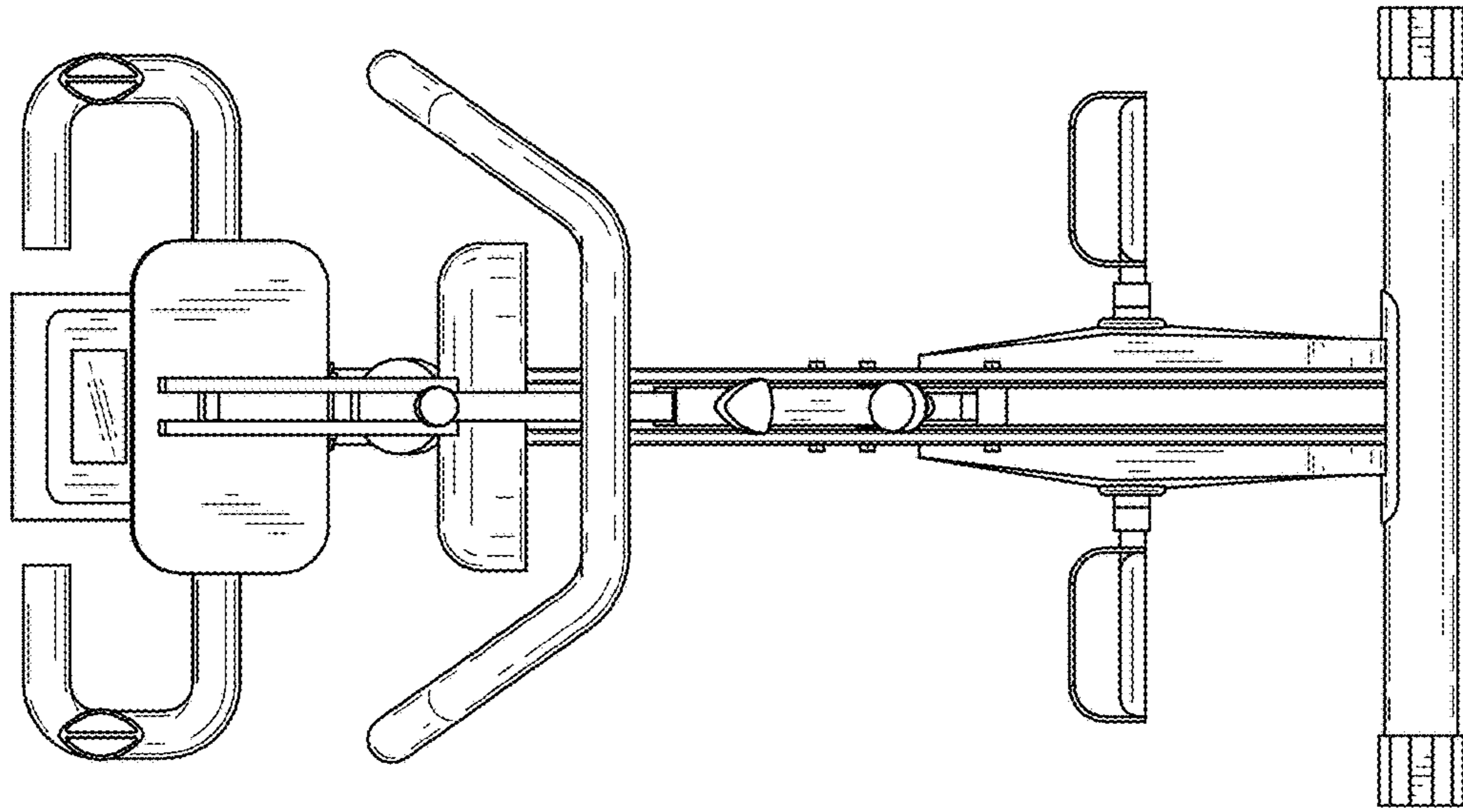


FIG. 2

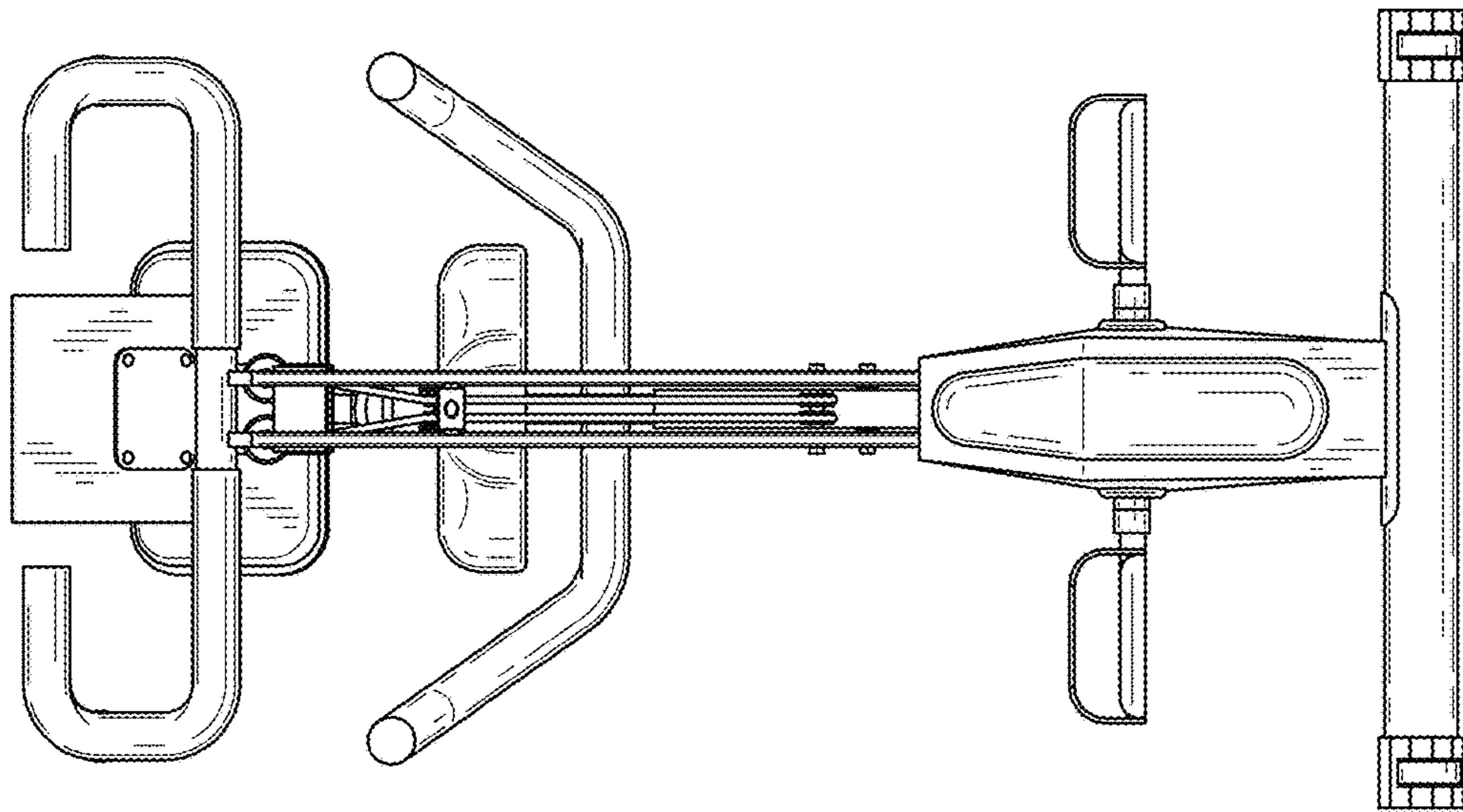


FIG. 4

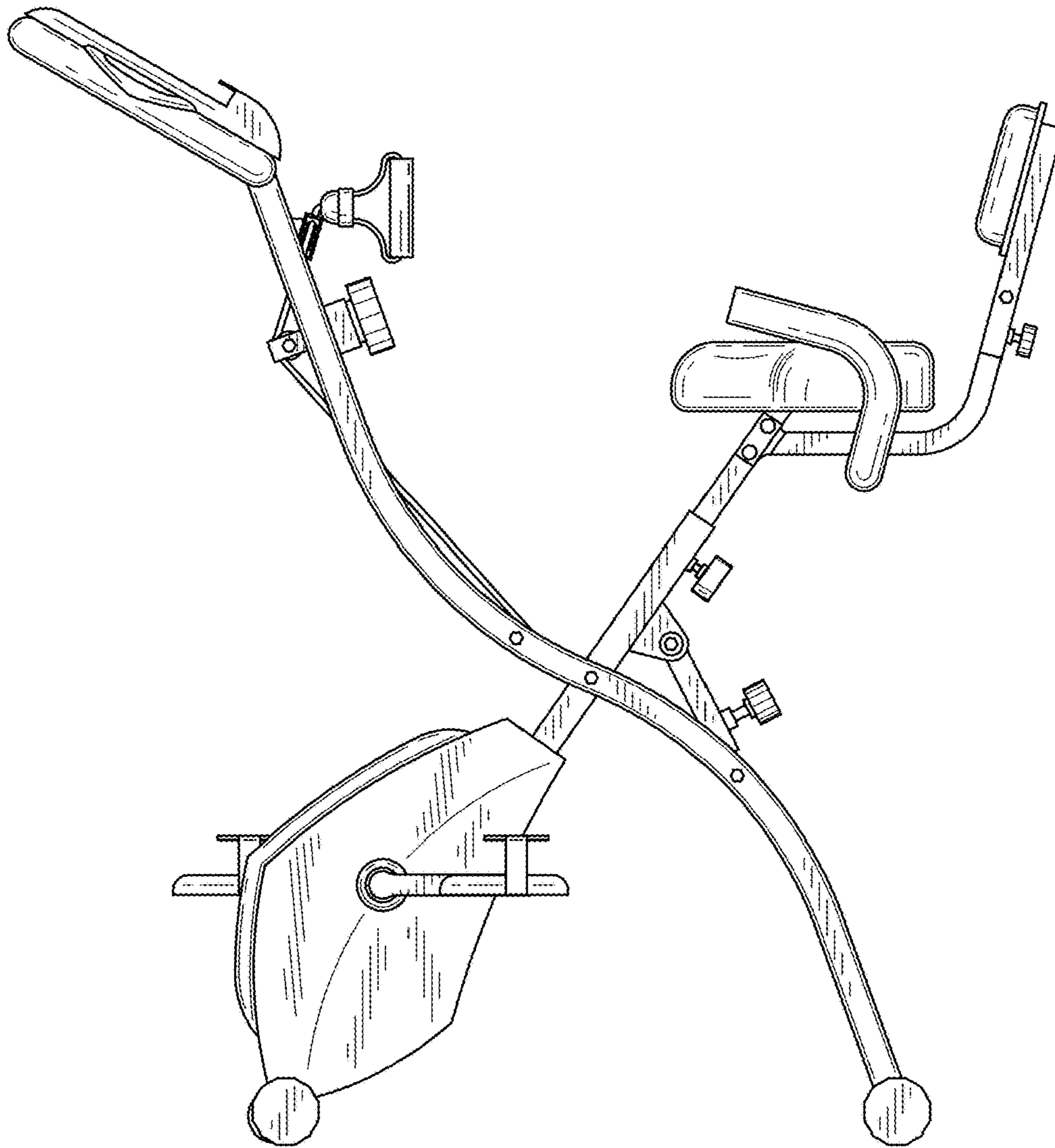


FIG. 5

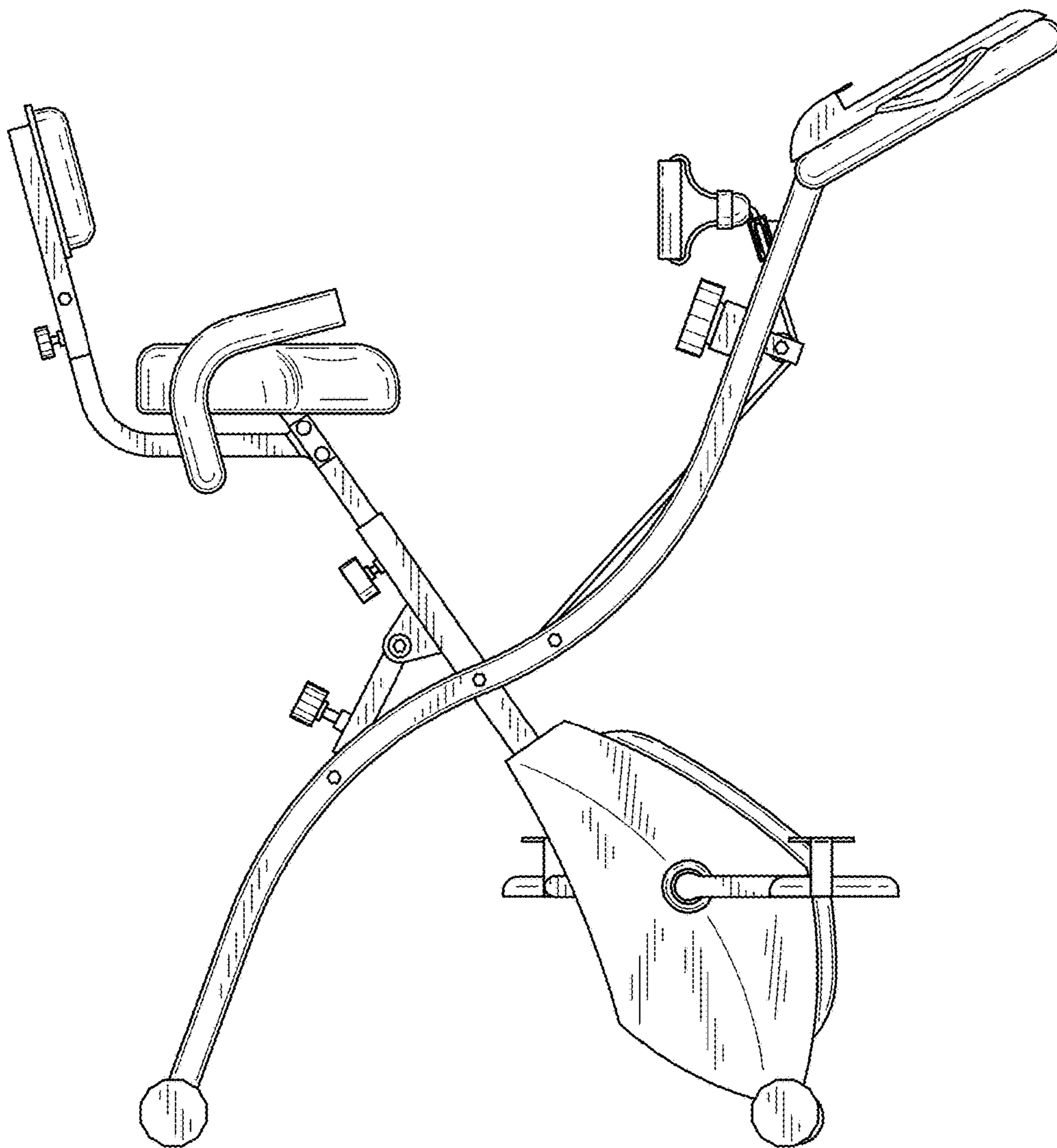


FIG. 6

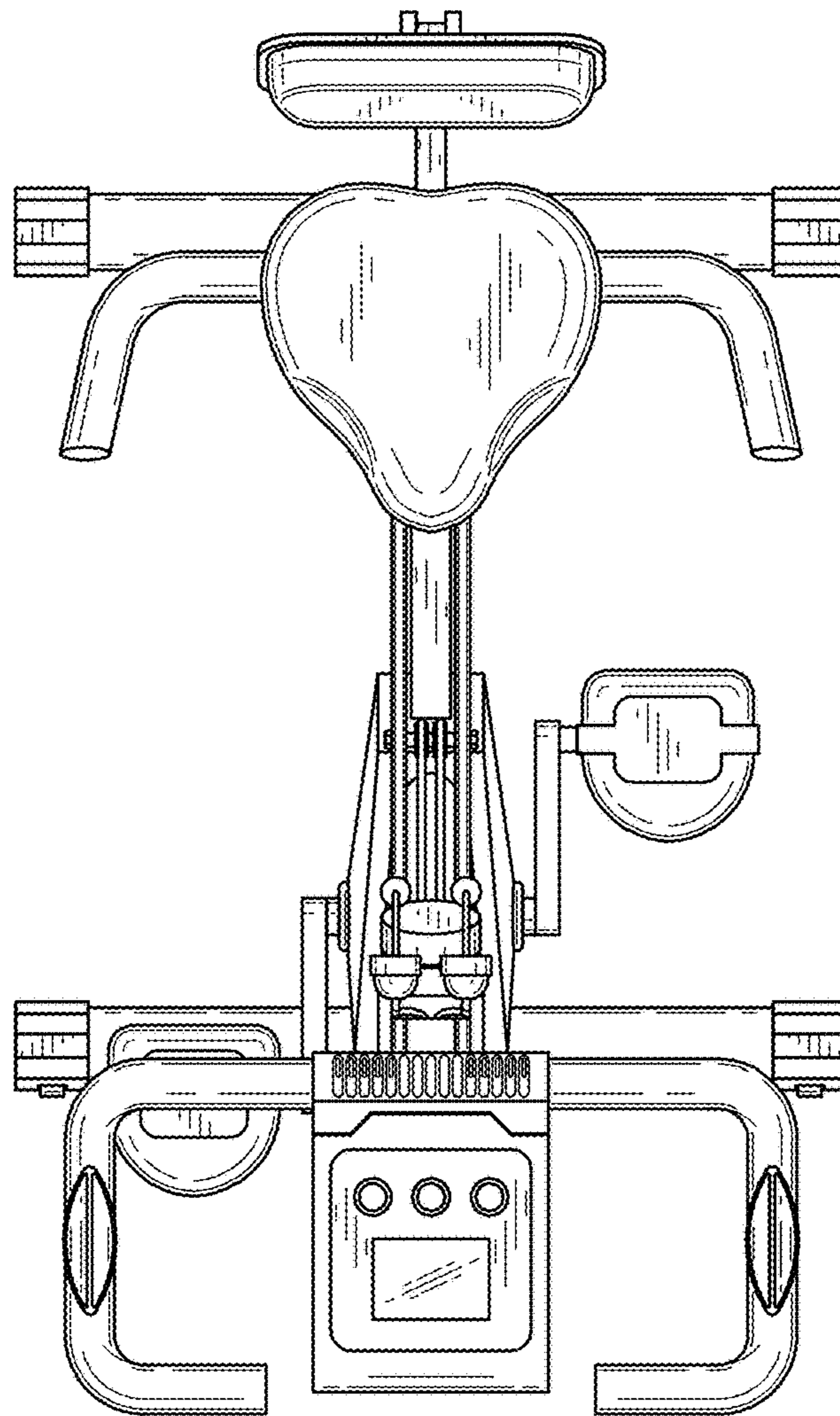


FIG. 7

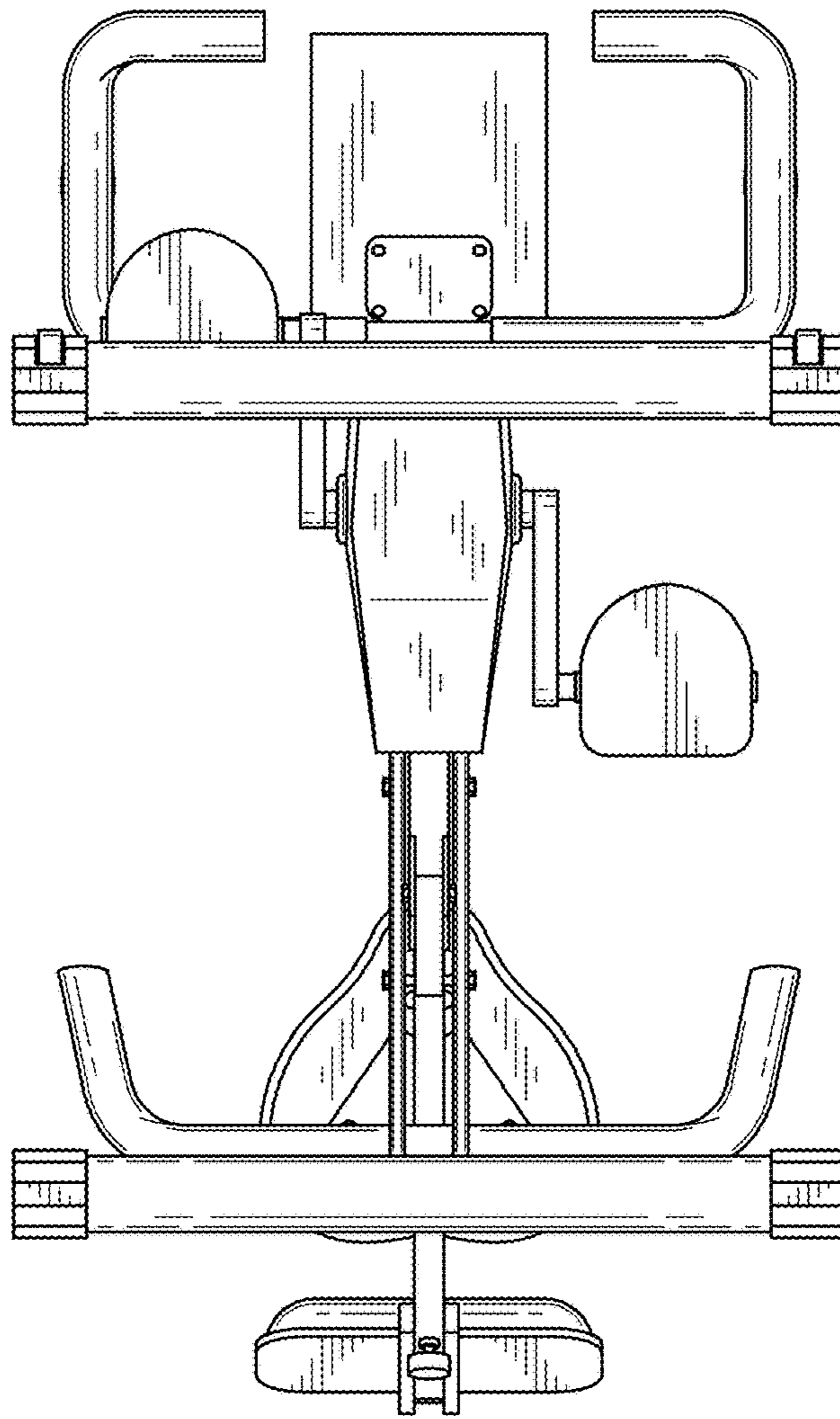


FIG. 8

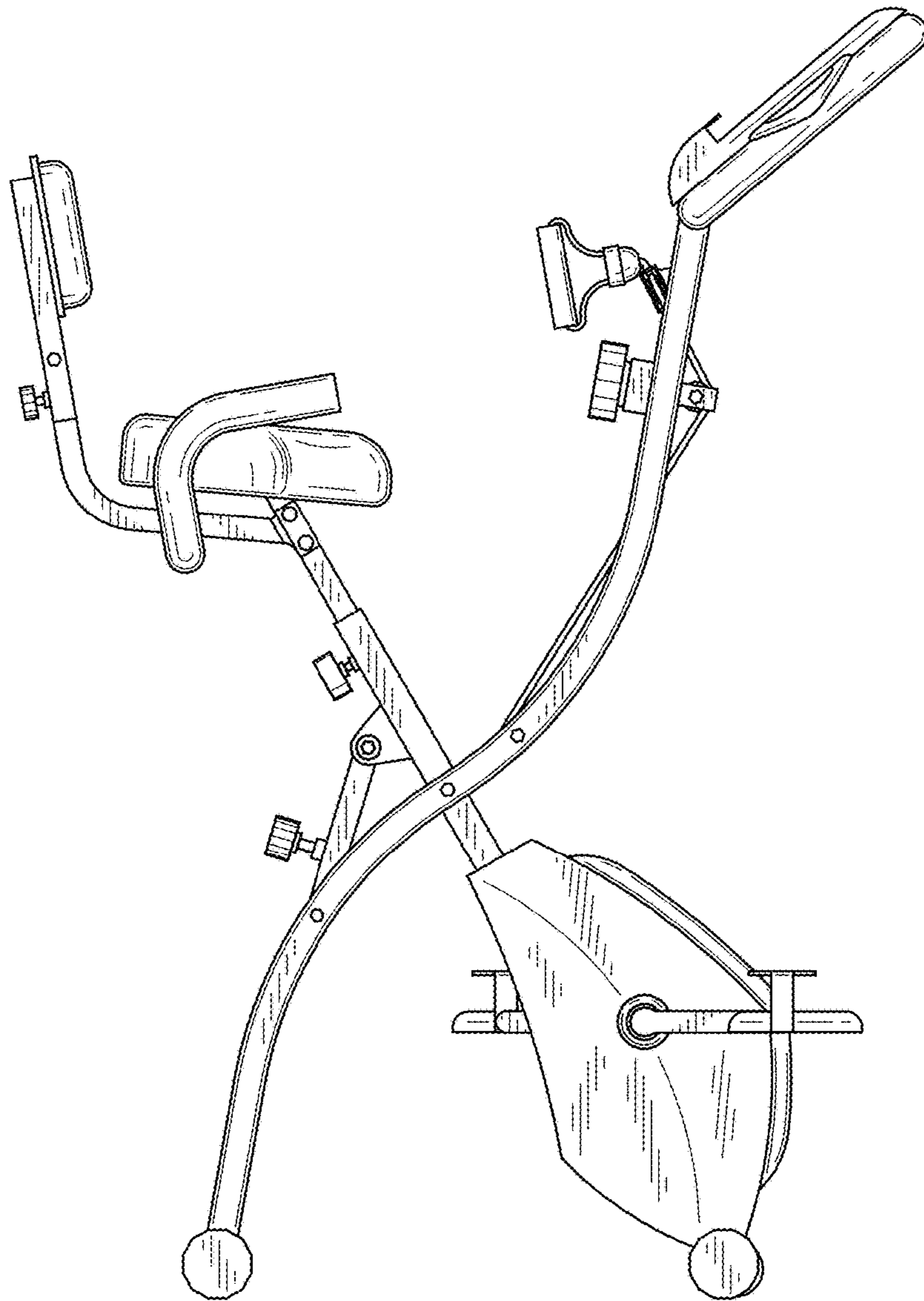


FIG. 9

