



US00D863459S

(12) **United States Design Patent**
Weisman et al.

(10) **Patent No.:** **US D863,459 S**

(45) **Date of Patent:** **** Oct. 15, 2019**

(54) **WATER TOY SET**

(71) Applicant: **Global Marketing Enterprise (GME) Ltd.**, Tel Aviv (IL)

(72) Inventors: **Zafrira Weisman**, Tel Aviv (IL); **Israel Zanger**, Tel Aviv (IL)

(**) Term: **15 Years**

(21) Appl. No.: **29/645,420**

(22) Filed: **Apr. 26, 2018**

(30) **Foreign Application Priority Data**

Jan. 2, 2018 (IL) 61452

(51) **LOC (12) Cl.** **21-01**

(52) **U.S. Cl.**
USPC **D21/606; D21/608; D21/473**

(58) **Field of Classification Search**
USPC D6/598; D11/158, 162; D21/398, 401, D21/473-474, 572, 576-596, 606-608; 446/368-369, 376, 428, 487; D23/215, D23/222

CPC ... A63H 3/00; A63H 3/02; A63H 3/04; A63H 3/12; A63H 3/16; A63H 3/28; A63H 33/00; A63H 7/06; A63H 11/00; A63H 11/10; A63H 11/20; A63H 13/00; A63H 33/04; A63H 33/08

See application file for complete search history.

(56) **References Cited**

U.S. PATENT DOCUMENTS

D83,691 S * 3/1931 Mayerhofer D23/215
D159,127 S * 6/1950 Allen et al. D21/608

D302,989 S * 8/1989 Broadbent D21/608
D329,667 S * 9/1992 Nakazawa D21/608
D357,524 S * 4/1995 Langmar D23/215
D639,383 S * 6/2011 Holbrook D21/608
D647,577 S * 10/2011 Rappaport-Rowan D21/606
D651,662 S * 1/2012 Monahan D21/608
D698,396 S * 1/2014 Friedland D21/572
D698,397 S * 1/2014 Friedland D21/572
D776,765 S * 1/2017 Weisman D21/608

* cited by examiner

Primary Examiner — Sandra L Morris

(74) *Attorney, Agent, or Firm* — Haim M. Factor

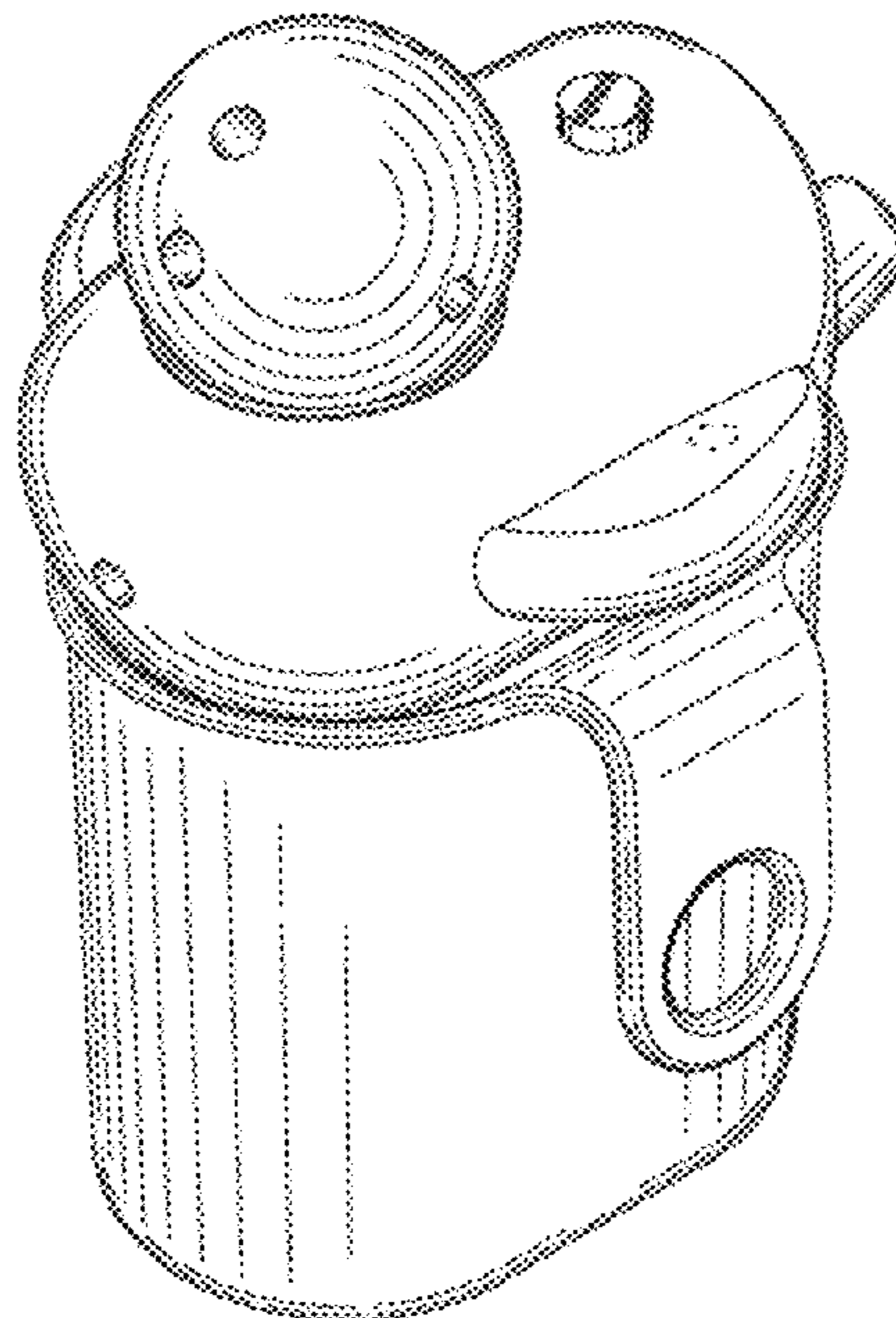
(57) **CLAIM**

The ornamental design for a water toy set, as shown and described.

DESCRIPTION

FIG. 1 is a frontal perspective view of the new design;
FIG. 2 is a right view thereof;
FIG. 3 is a left view thereof;
FIG. 4 is a front view thereof;
FIG. 5 is a back view thereof;
FIG. 6 is a top view thereof;
FIG. 7 is a bottom view thereof;
FIG. 8 is a frontal perspective view thereof;
FIG. 9 is a front view thereof;
FIG. 10 is a back view thereof; and,
FIG. 11 is a right view thereof.

1 Claim, 11 Drawing Sheets



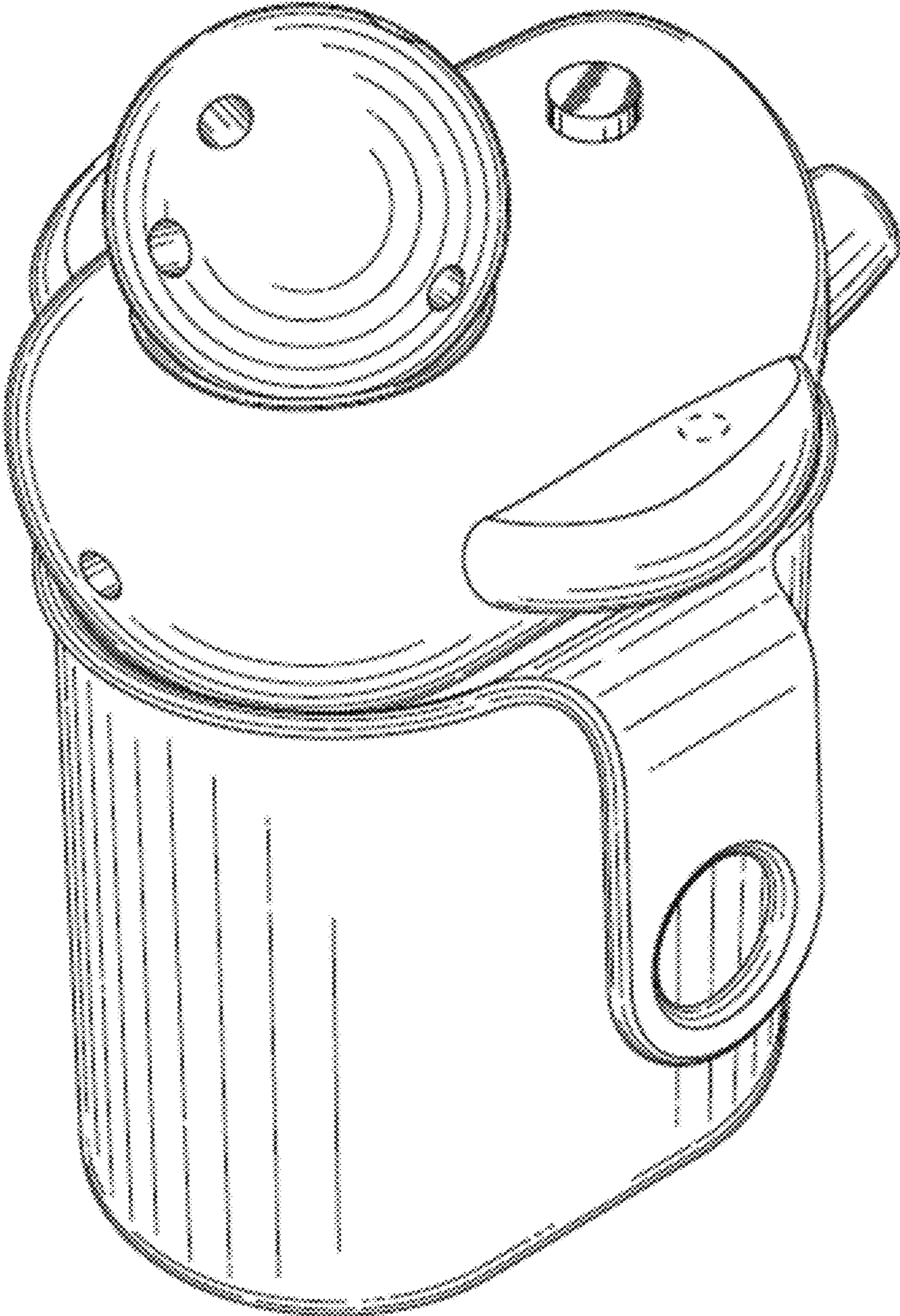


FIG 1

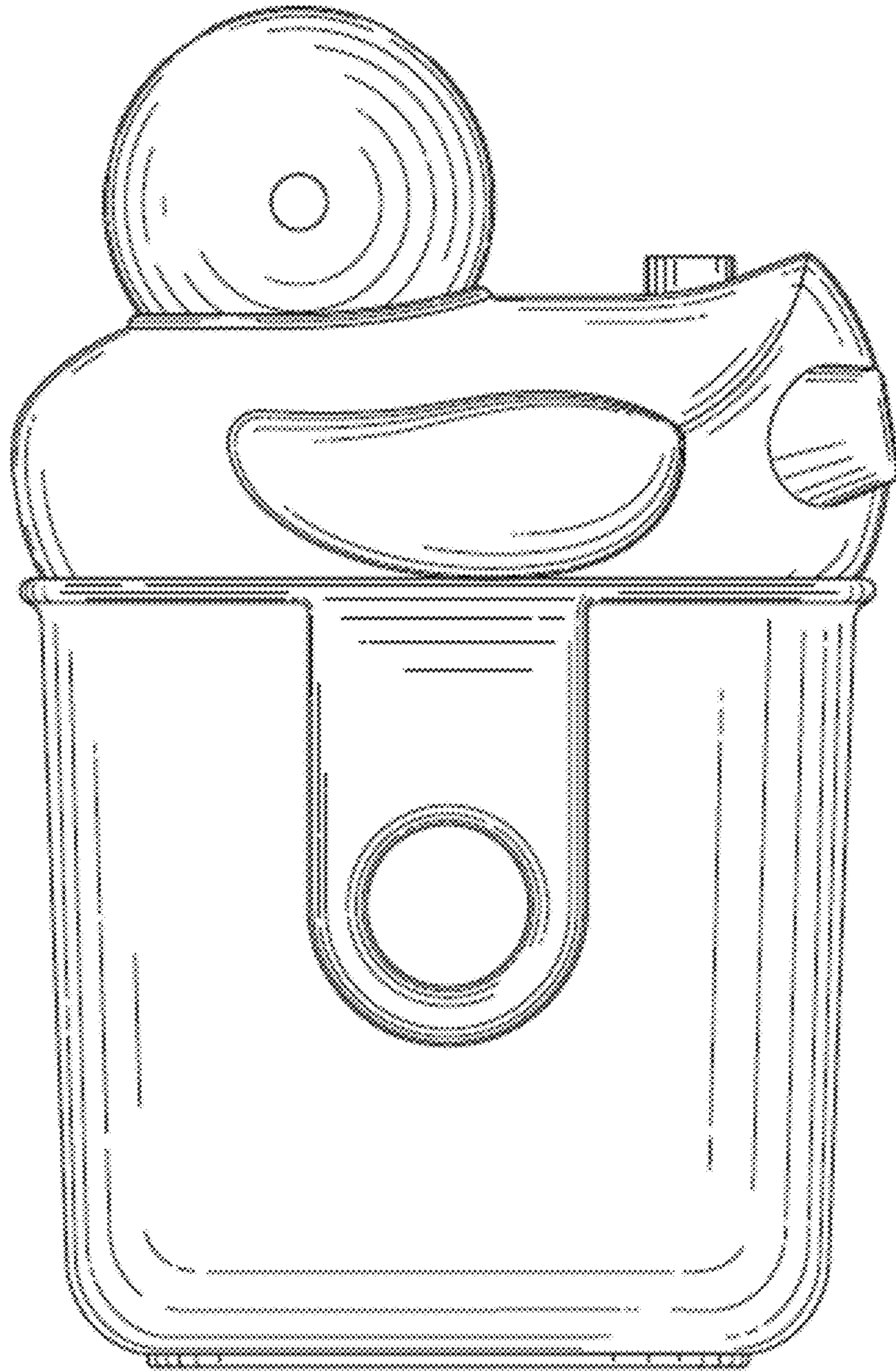


FIG 2

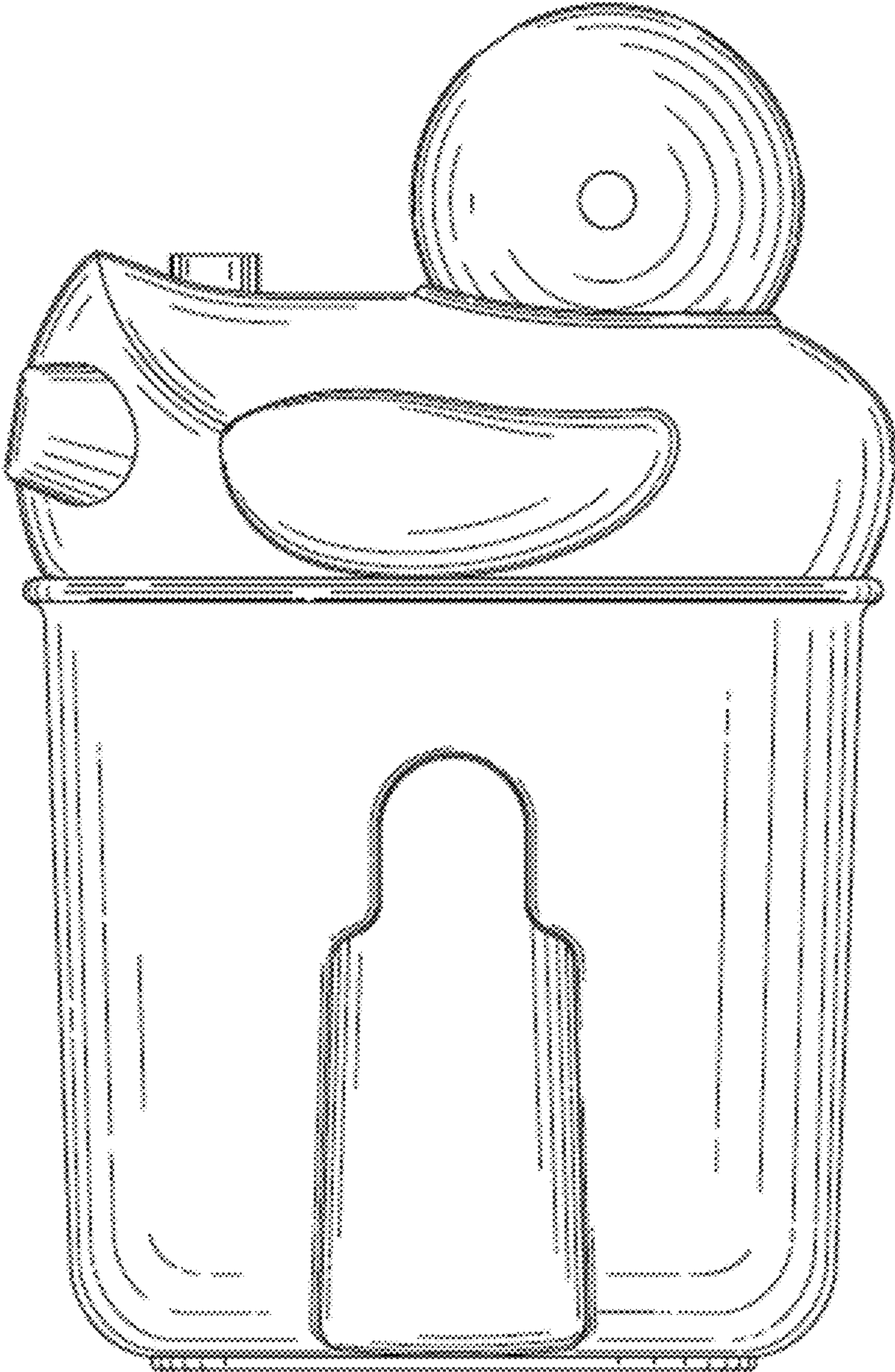


FIG 3

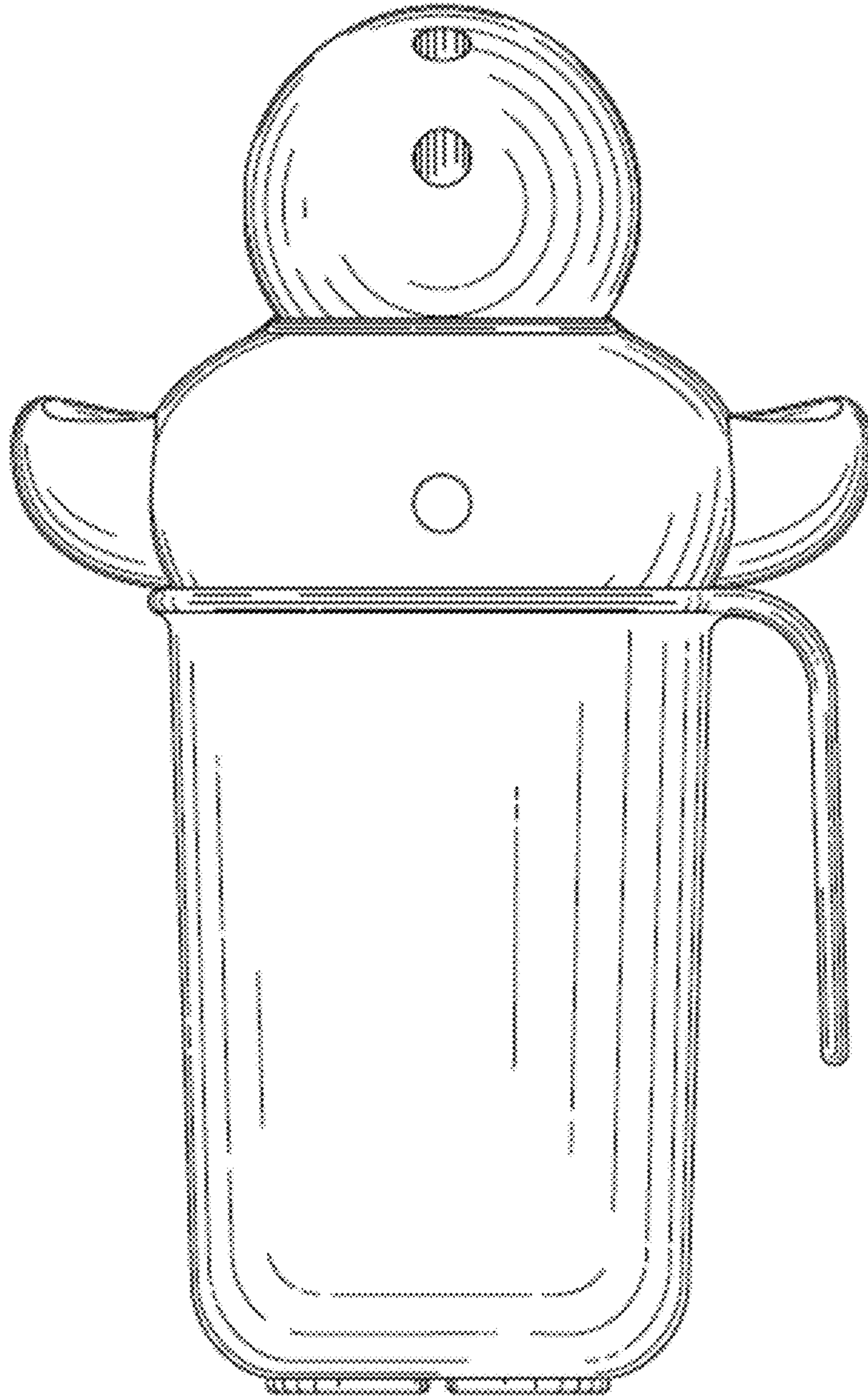


FIG 4

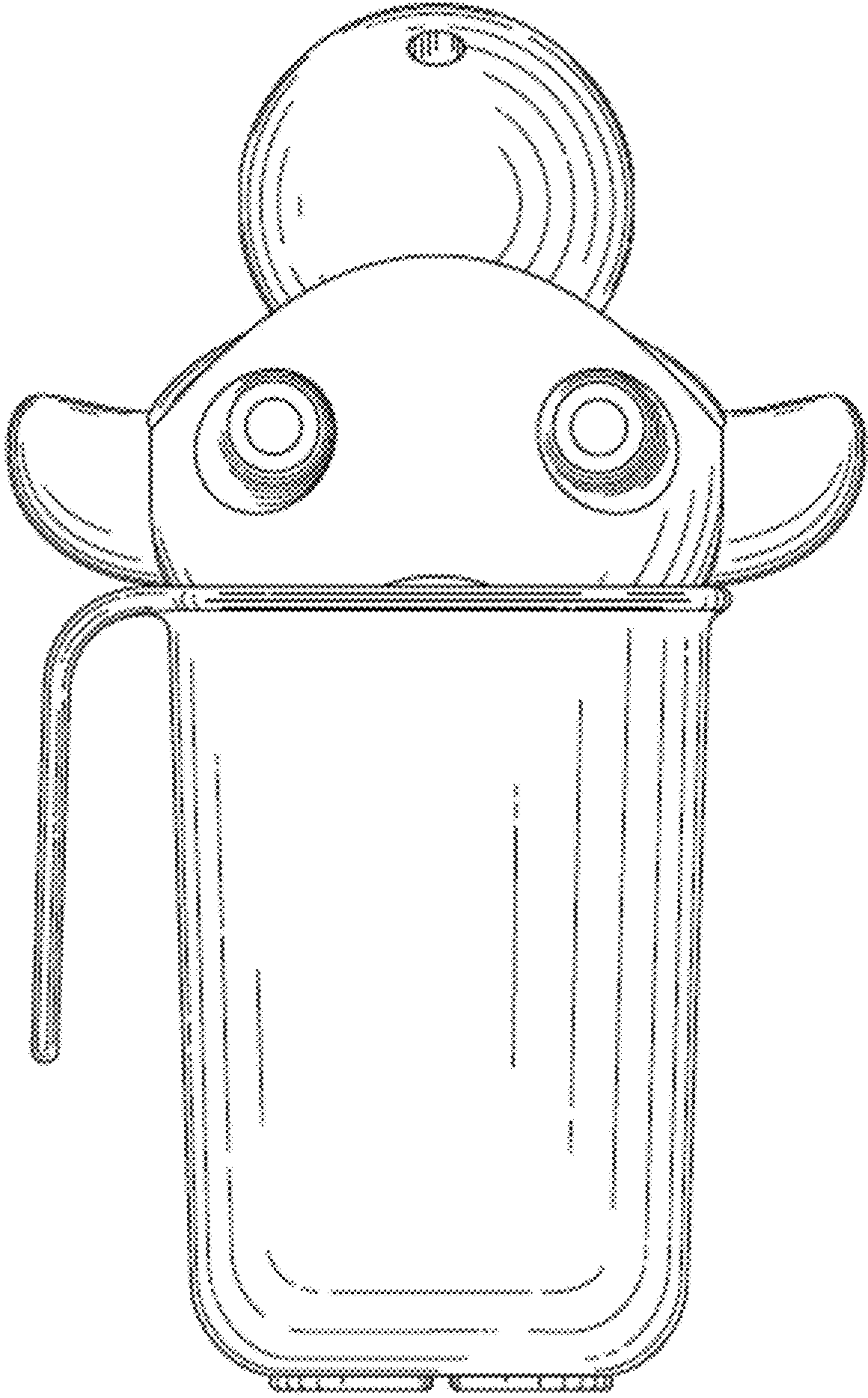


FIG 5

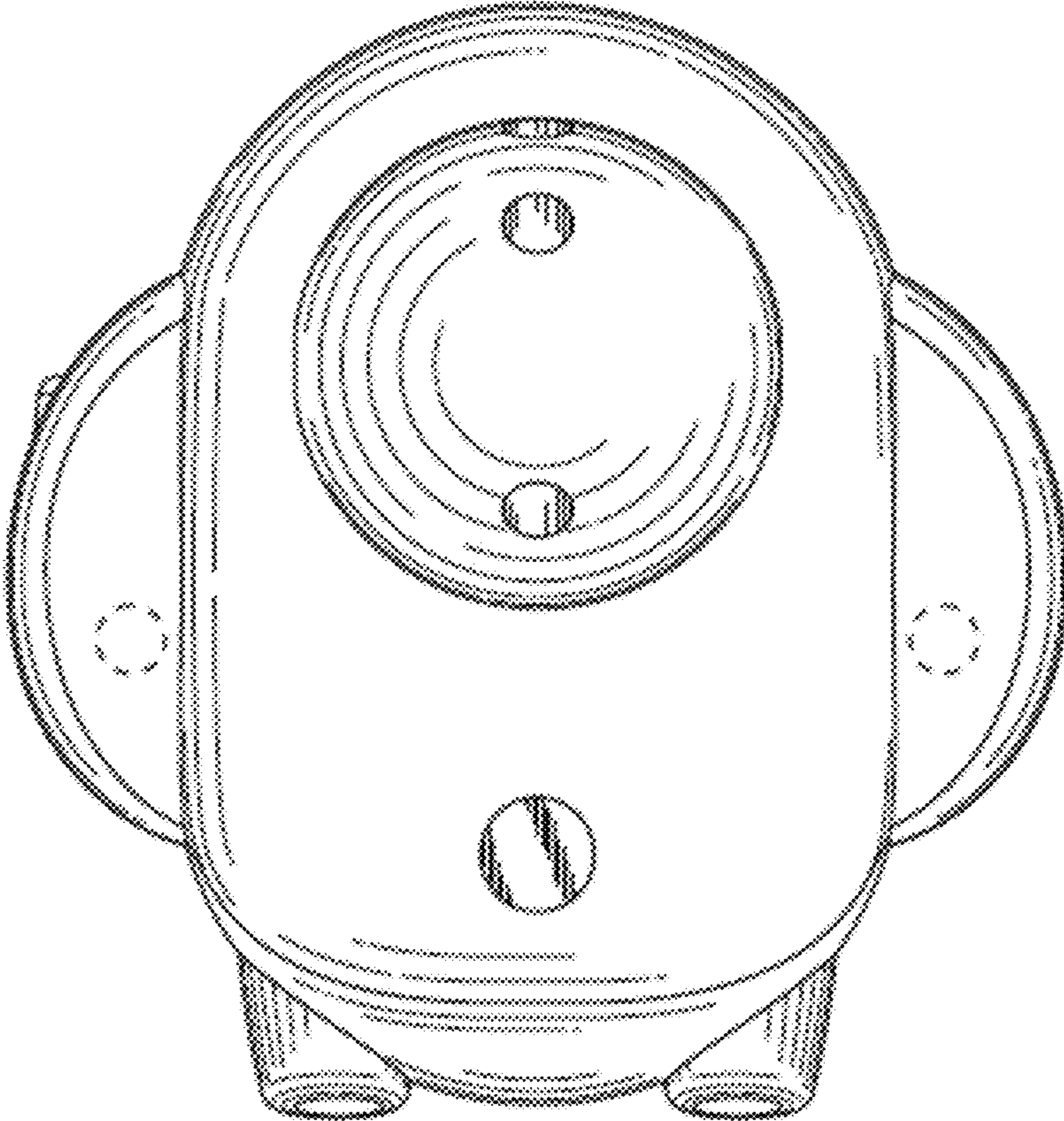


FIG 6

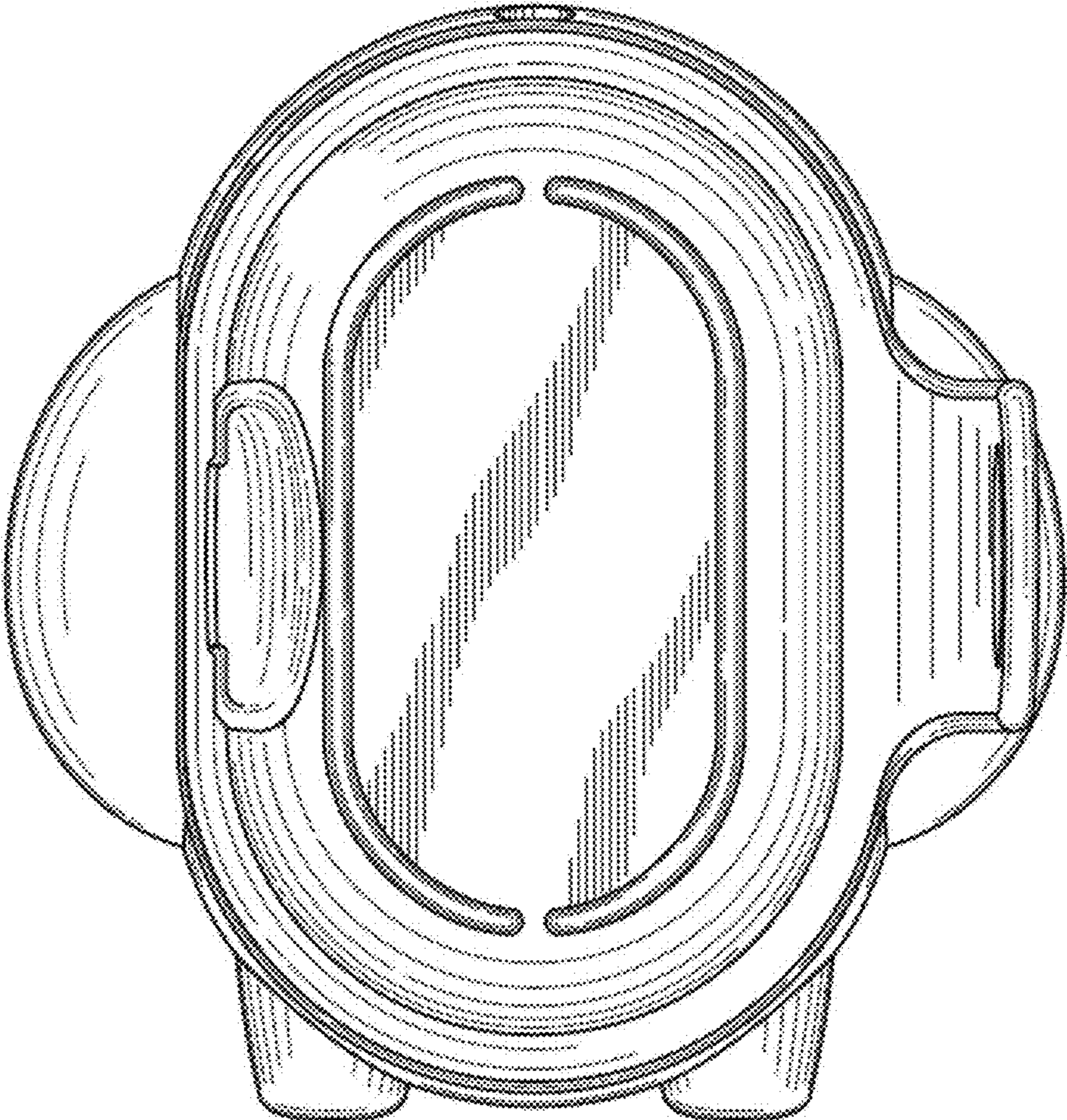


FIG 7

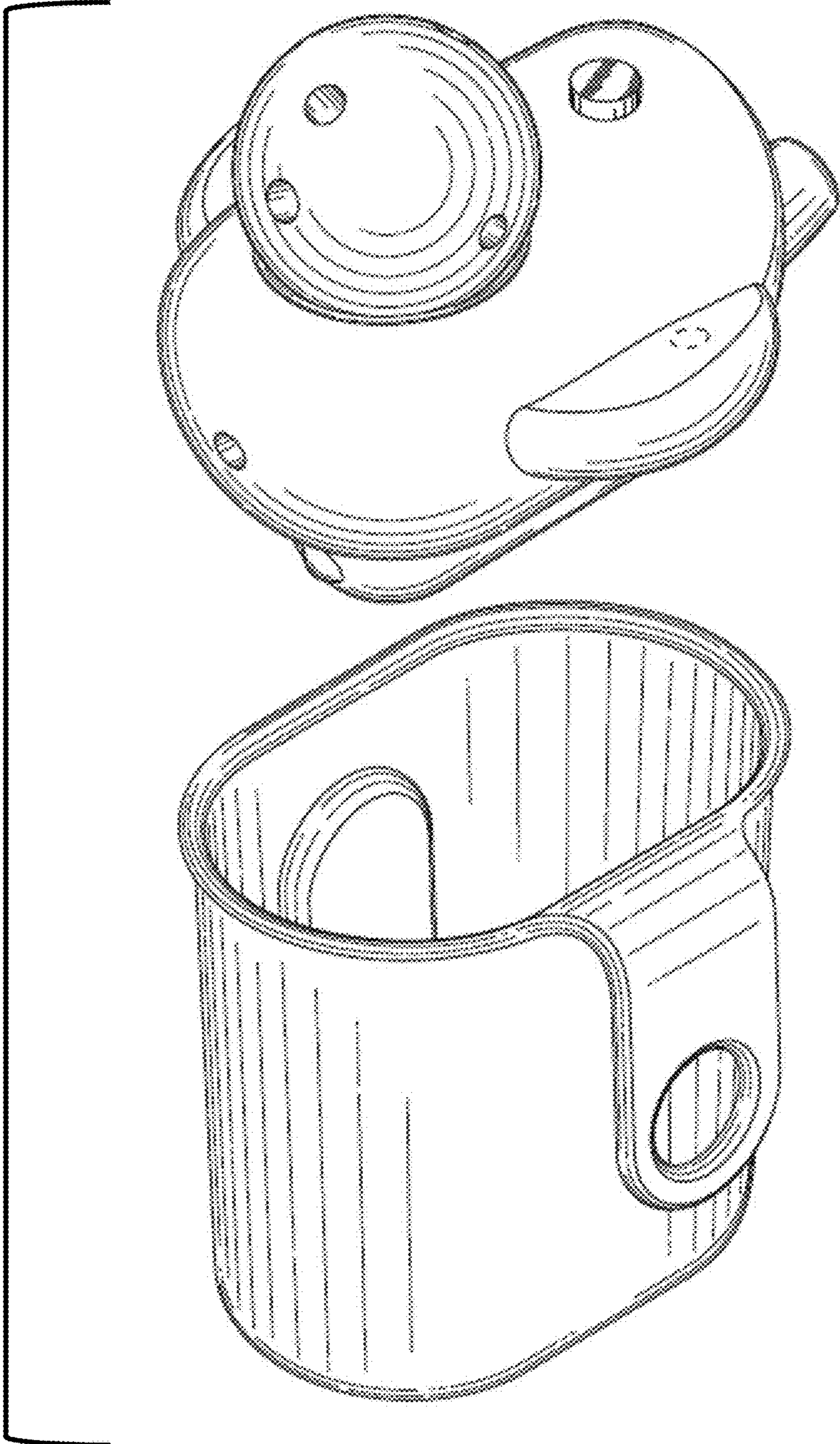


FIG 8

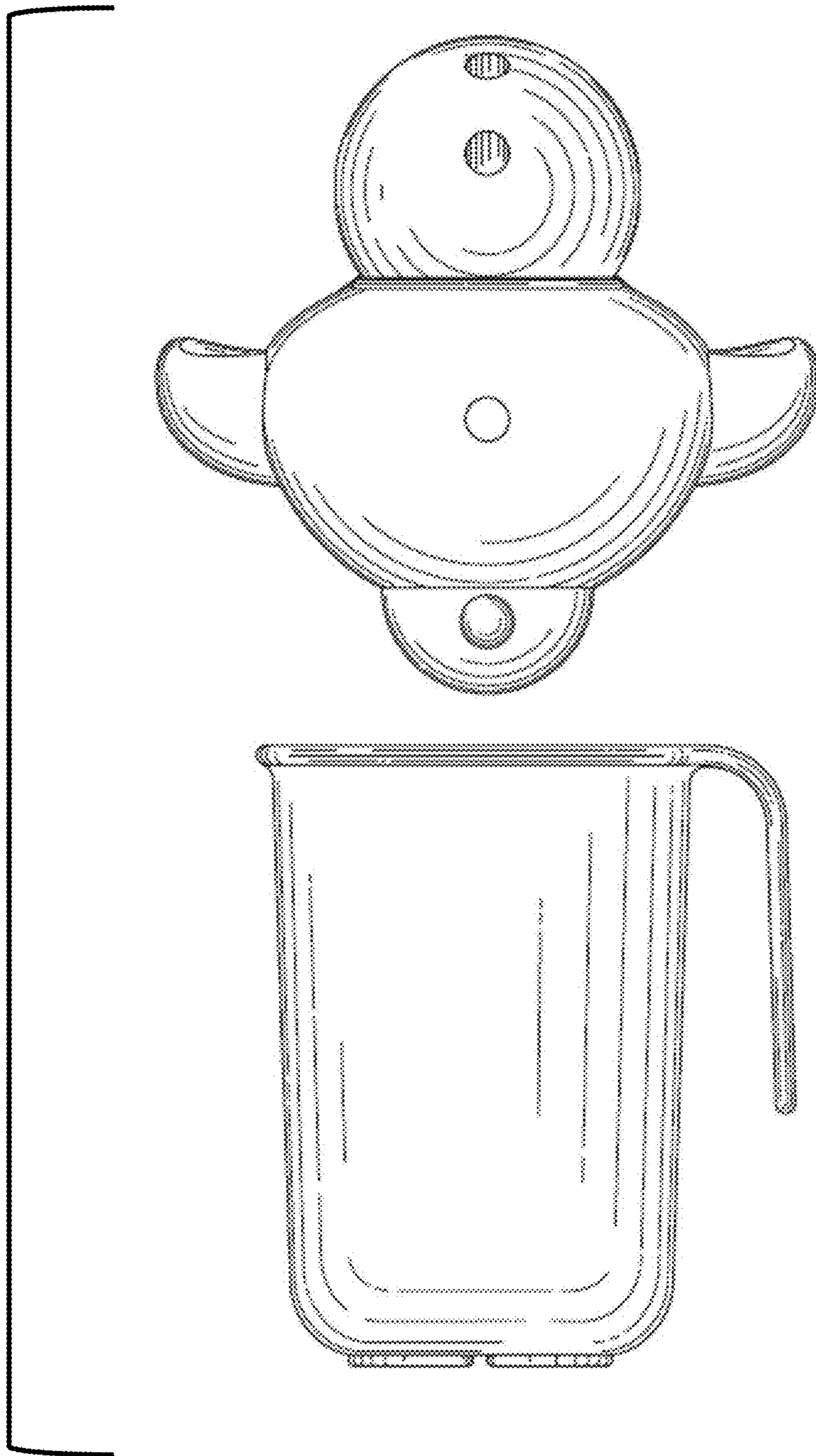


FIG 9

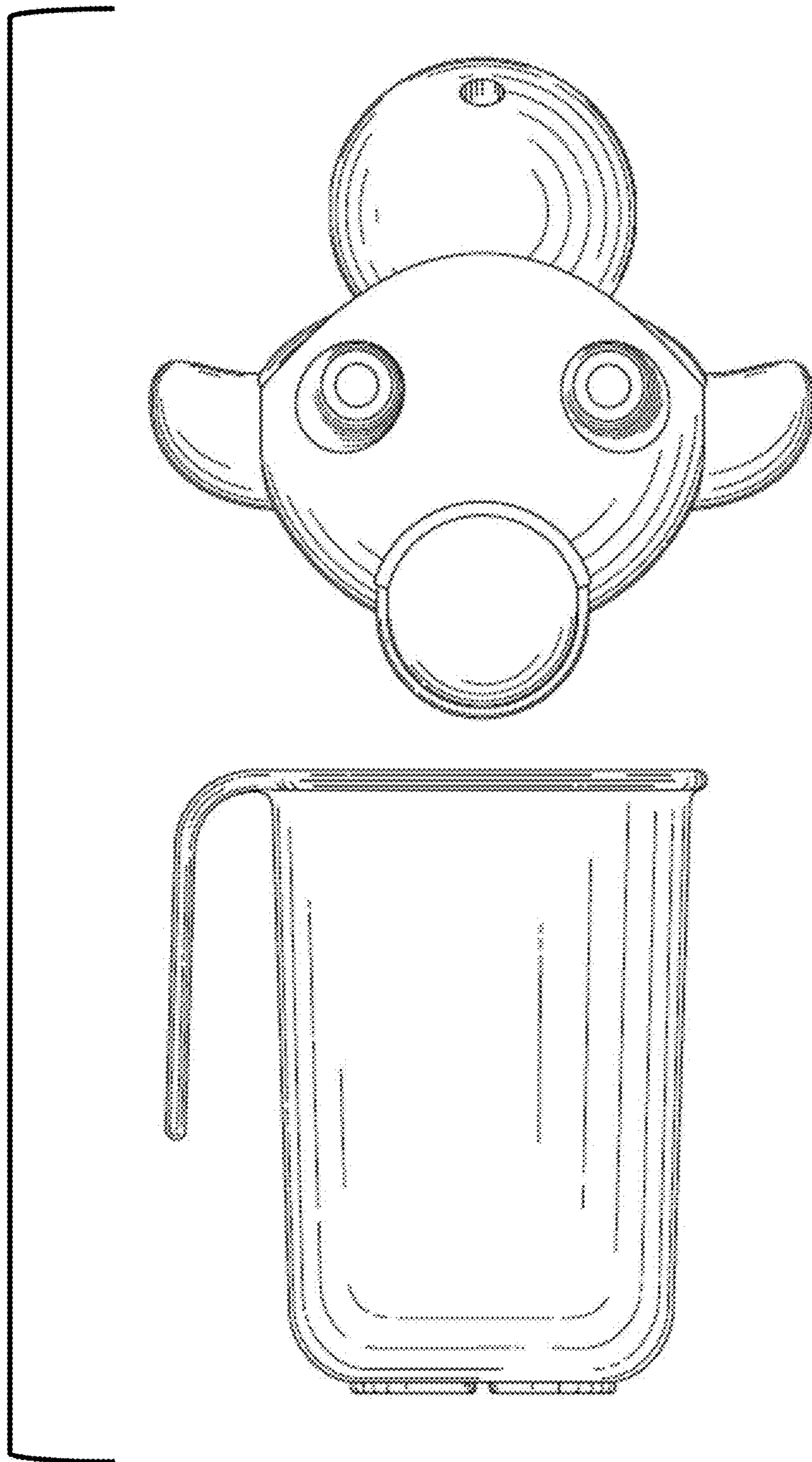


FIG 10

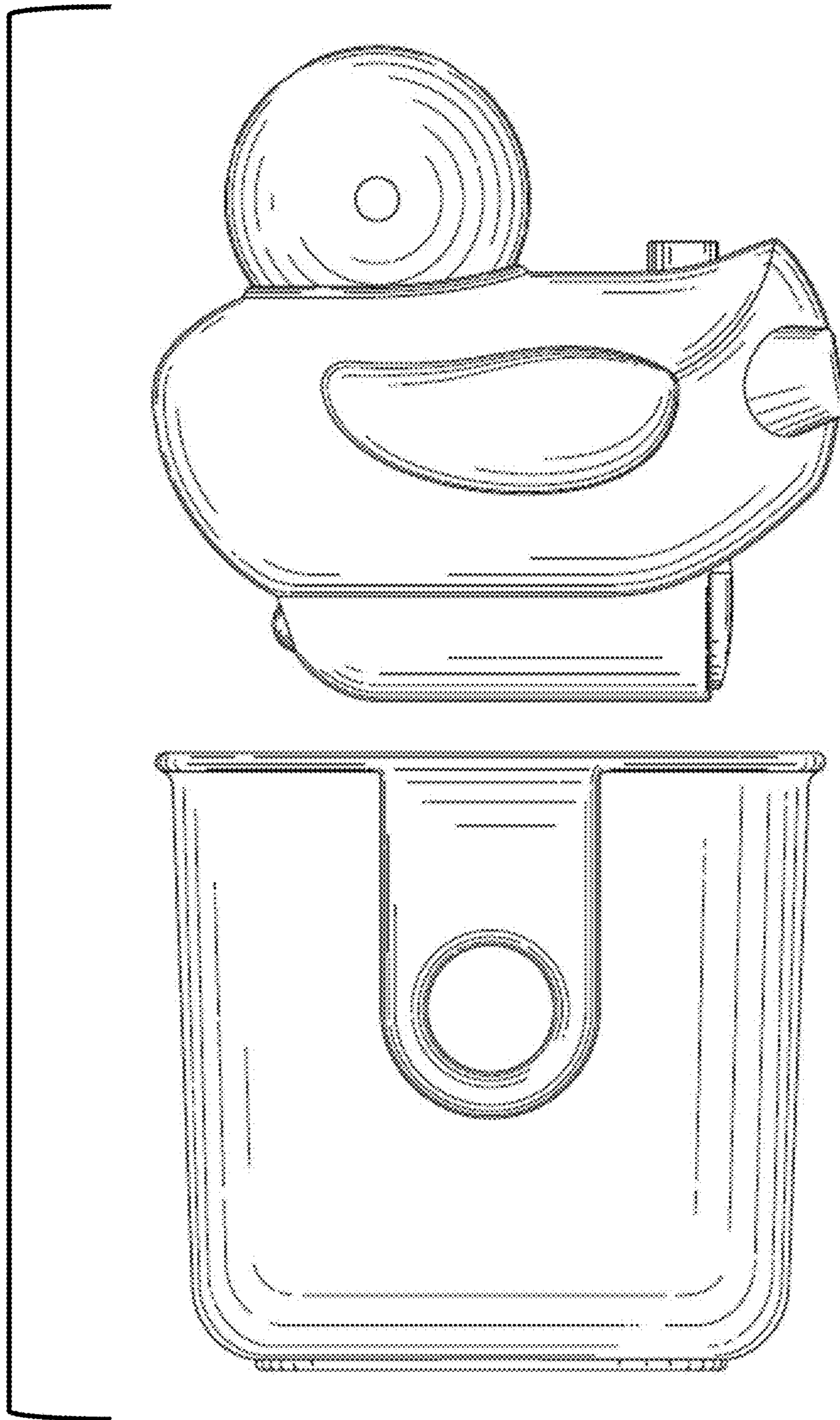


FIG 11