

US00D863458S

(12) **United States Design Patent**
Balanchi

(10) **Patent No.:** **US D863,458 S**

(45) **Date of Patent:** **** Oct. 15, 2019**

- (54) **TOY TRACK SEGMENT**
- (71) Applicant: **MINDSCOPE PRODUCTS**, Glendale, CA (US)
- (72) Inventor: **George Balanchi**, Pasadena, CA (US)
- (73) Assignee: **Mindscope Products**, Glendale, CA (US)
- (**) Term: **15 Years**
- (21) Appl. No.: **29/651,192**

D481,424 S *	10/2003	Rothkopf	D21/565
D493,849 S *	8/2004	Elia	D21/565
6,883,720 B2 *	4/2005	D'Angelo, Jr.	A63H 18/02 104/61
D632,348 S *	2/2011	McNutt	D21/565
D644,696 S *	9/2011	Mimlitch, III	D21/565
D644,697 S *	9/2011	Mimlitch, III	D21/565
D645,913 S *	9/2011	Beauregard	D21/565
D651,661 S *	1/2012	Yuen	D21/565
D660,379 S *	5/2012	Glickman	D21/565
D660,380 S *	5/2012	Glickman	D21/565
D689,141 S *	9/2013	Mimlitch, III	D21/565
D689,143 S *	9/2013	Mimlitch, III	D21/565
D689,144 S *	9/2013	Mimlitch, III	D21/565
D689,145 S *	9/2013	Mimlitch, III	D21/565
D689,959 S *	9/2013	Mimlitch, III	D21/565

(Continued)

- (22) Filed: **Feb. 7, 2018**
- (51) **LOC (12) Cl.** **21-01**
- (52) **U.S. Cl.**
USPC **D21/565**
- (58) **Field of Classification Search**
USPC D21/484, 490, 493, 509, 564, 565, 802,
D21/818, 821
CPC A63H 19/24; A63H 19/28; A63H 19/30;
A63H 19/32; A63H 19/36; A63H 21/00;
A63H 21/02; A63H 21/04; A63H 18/00;
A63H 18/02; A63H 18/021; A63H
18/025; A63H 18/028; A63H 18/04;
A63H 18/06; A63H 18/16; E01B 23/00;
E01B 23/02; E01B 23/04; E01B 23/06
See application file for complete search history.

Primary Examiner — Manpreet S Matharu
Assistant Examiner — Keith J Wilson
 (74) *Attorney, Agent, or Firm* — Jonathan E. Grant; Grant Patent Services

(57) **CLAIM**

I claim the ornamental design for a toy track segment, as shown and described.

DESCRIPTION

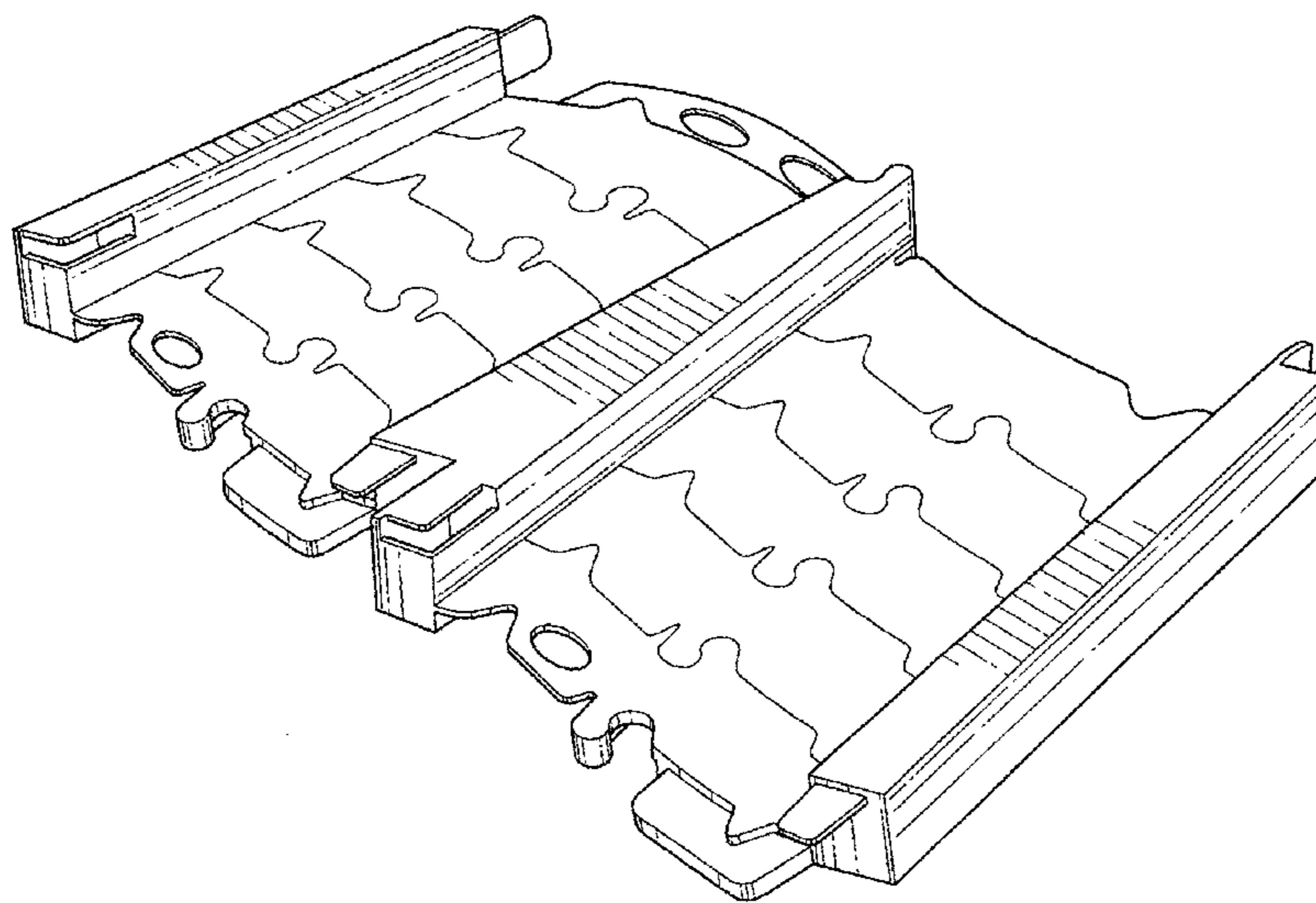
FIG. 1—is a perspective view of the toy track segment;
 FIG. 2—is an overhead view thereof;
 FIG. 3—is a bottom view thereof;
 FIG. 4—is a front view thereof;
 FIG. 5—is a back view thereof;
 FIG. 6—is a first side view thereof;
 FIG. 7 is a second side view thereof; and,
 FIG. 8 is a perspective view showing the toy track segment. The broken lines used in FIG. 3 represents portions of a toy track segment. The broken lines shown in FIG. 8 represents environment only. All broken lines used form no part of the claimed design.

(56) **References Cited**

U.S. PATENT DOCUMENTS

D203,937 S *	3/1966	Dunbar	D21/564
D246,196 S *	10/1977	Suzuki	D21/564
D248,887 S *	8/1978	Tanaka	D21/564
D296,804 S *	7/1988	Bach	D21/565
D296,806 S *	7/1988	Bach	D21/565
D344,306 S *	2/1994	Ruszkai	D21/565
D344,992 S *	3/1994	Ruszkai	D21/565
D412,949 S *	8/1999	Nielsen	D21/493
D421,281 S *	2/2000	Riley	D21/564

1 Claim, 6 Drawing Sheets



(56)

References Cited

U.S. PATENT DOCUMENTS

D692,070 S * 10/2013 Mimplitch, III D21/565
D707,757 S * 6/2014 Mimplitch, III D21/565
D717,887 S * 11/2014 Edwards D21/565
D725,718 S * 3/2015 Feit D21/564
D726,835 S * 4/2015 Edwards D21/565
D734,403 S * 7/2015 Womack D21/565
D741,418 S * 10/2015 Beauregard D21/565
D741,957 S * 10/2015 Beauregard D21/565
D828,880 S * 9/2018 Tiffin D21/564
D832,369 S * 10/2018 Johnson D21/564
2008/0265049 A1 * 10/2008 Stadlbauer A63H 18/02
238/10 F
2018/0128477 A1 * 5/2018 Balanchi A63H 18/02

* cited by examiner

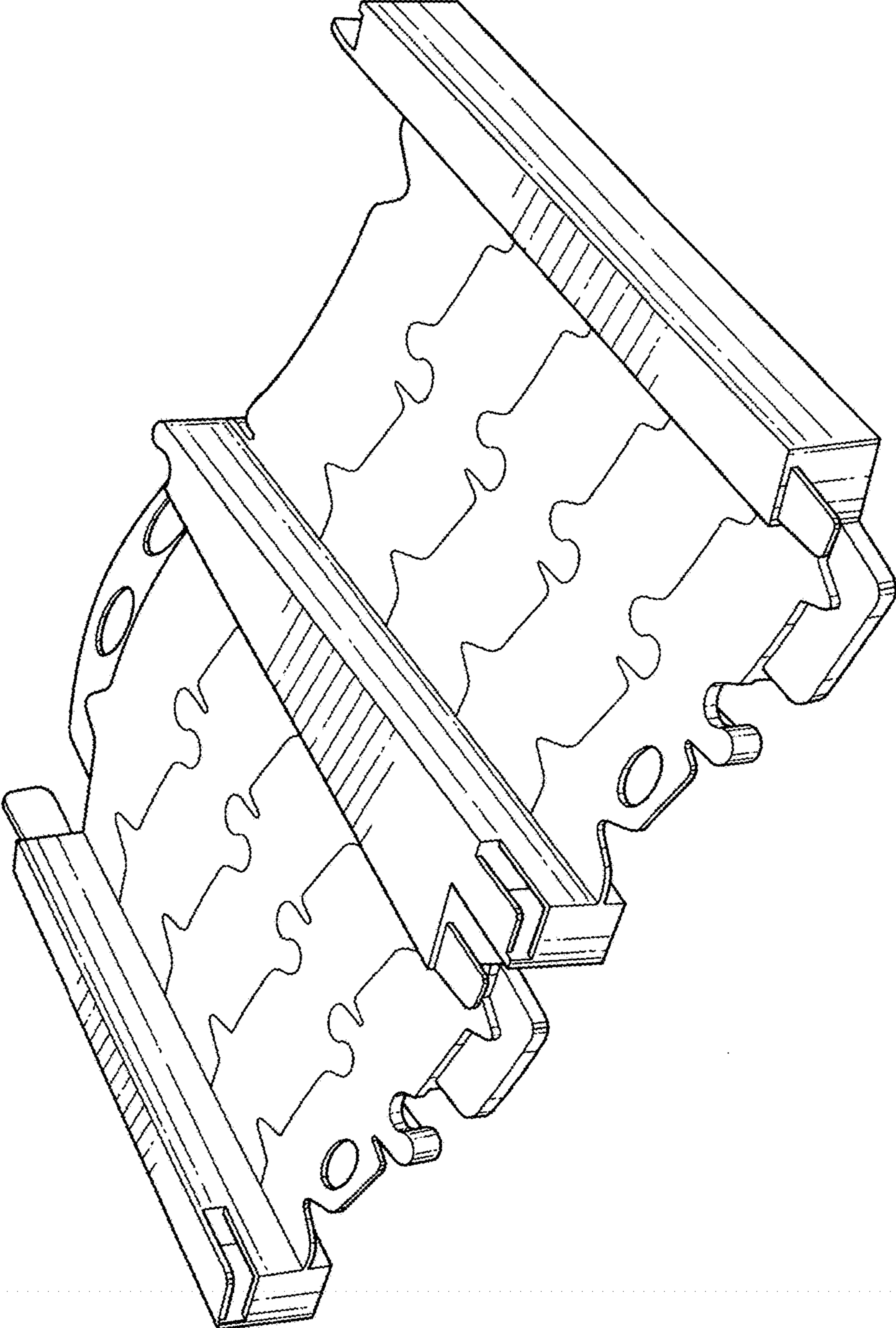


FIG. 1

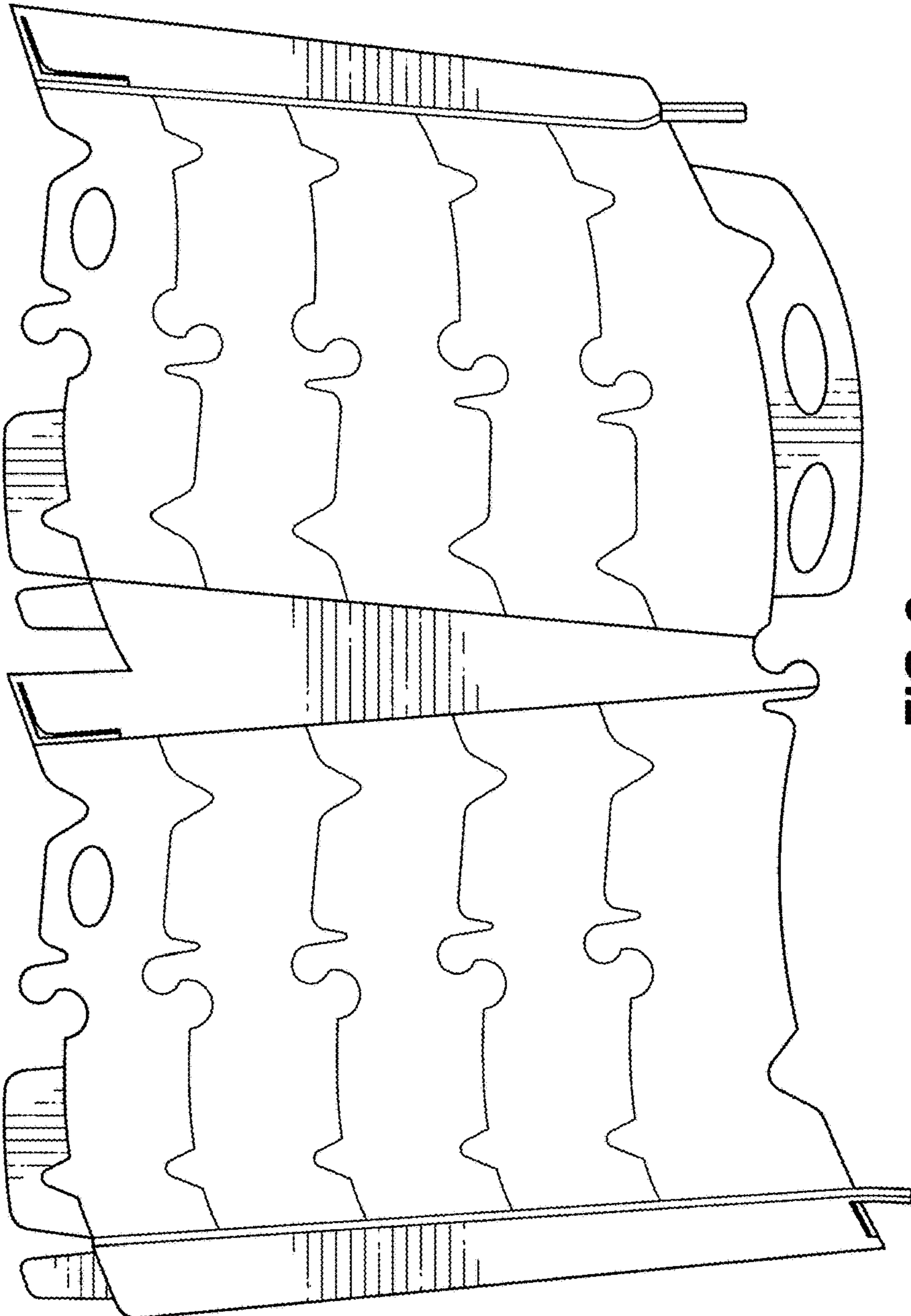


FIG. 2

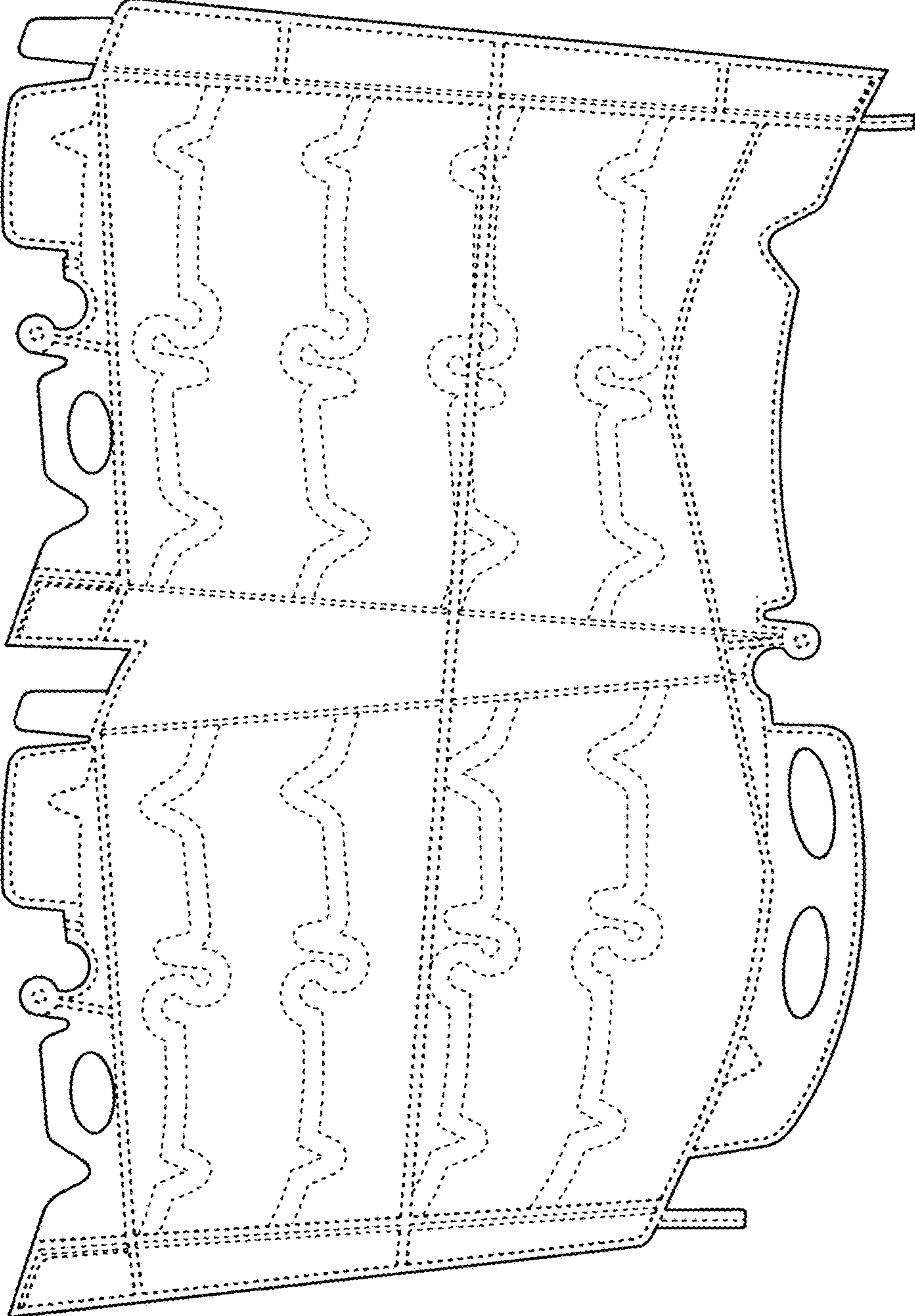


FIG. 3

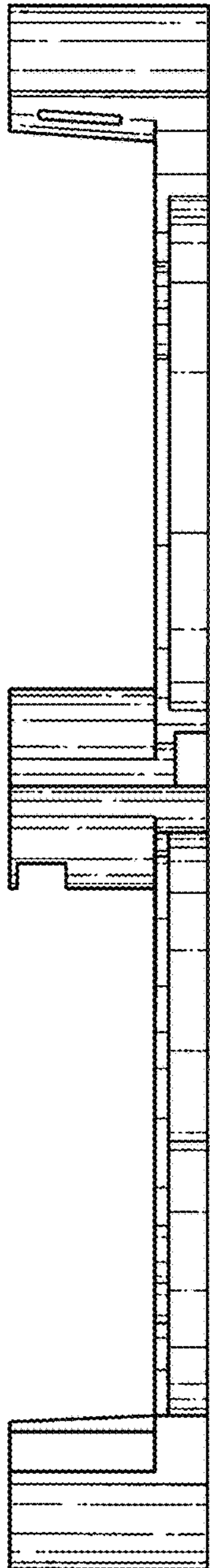


FIG. 4

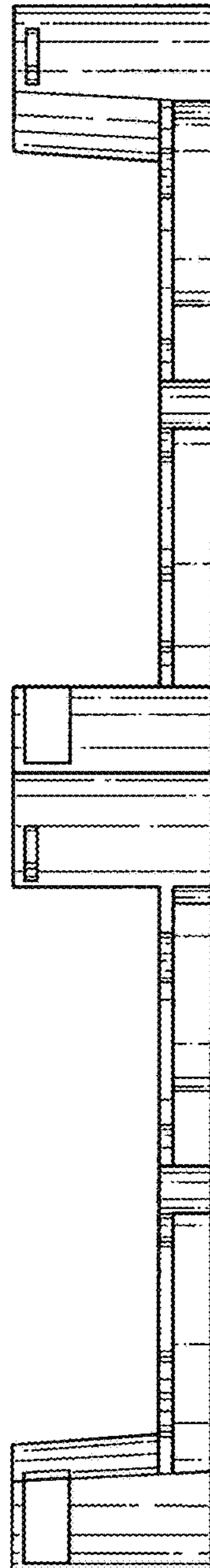


FIG. 5

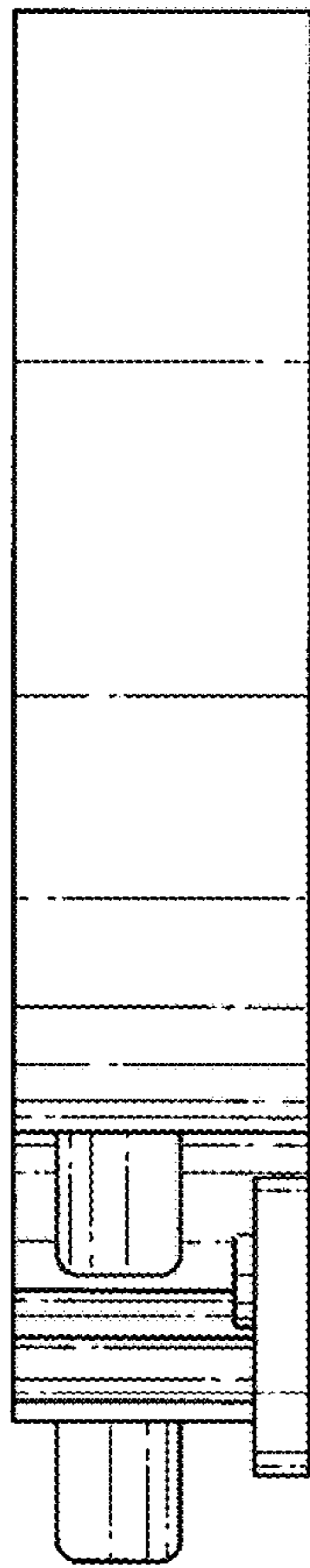


FIG. 6

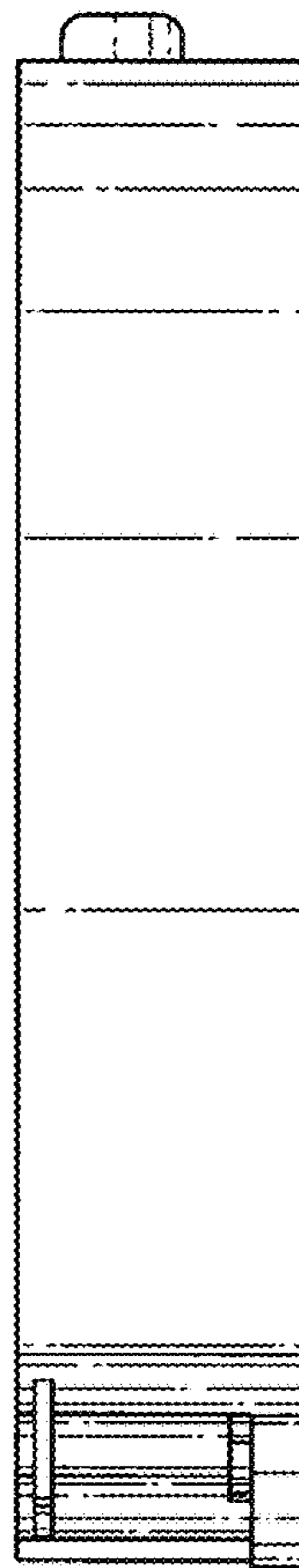


FIG. 7

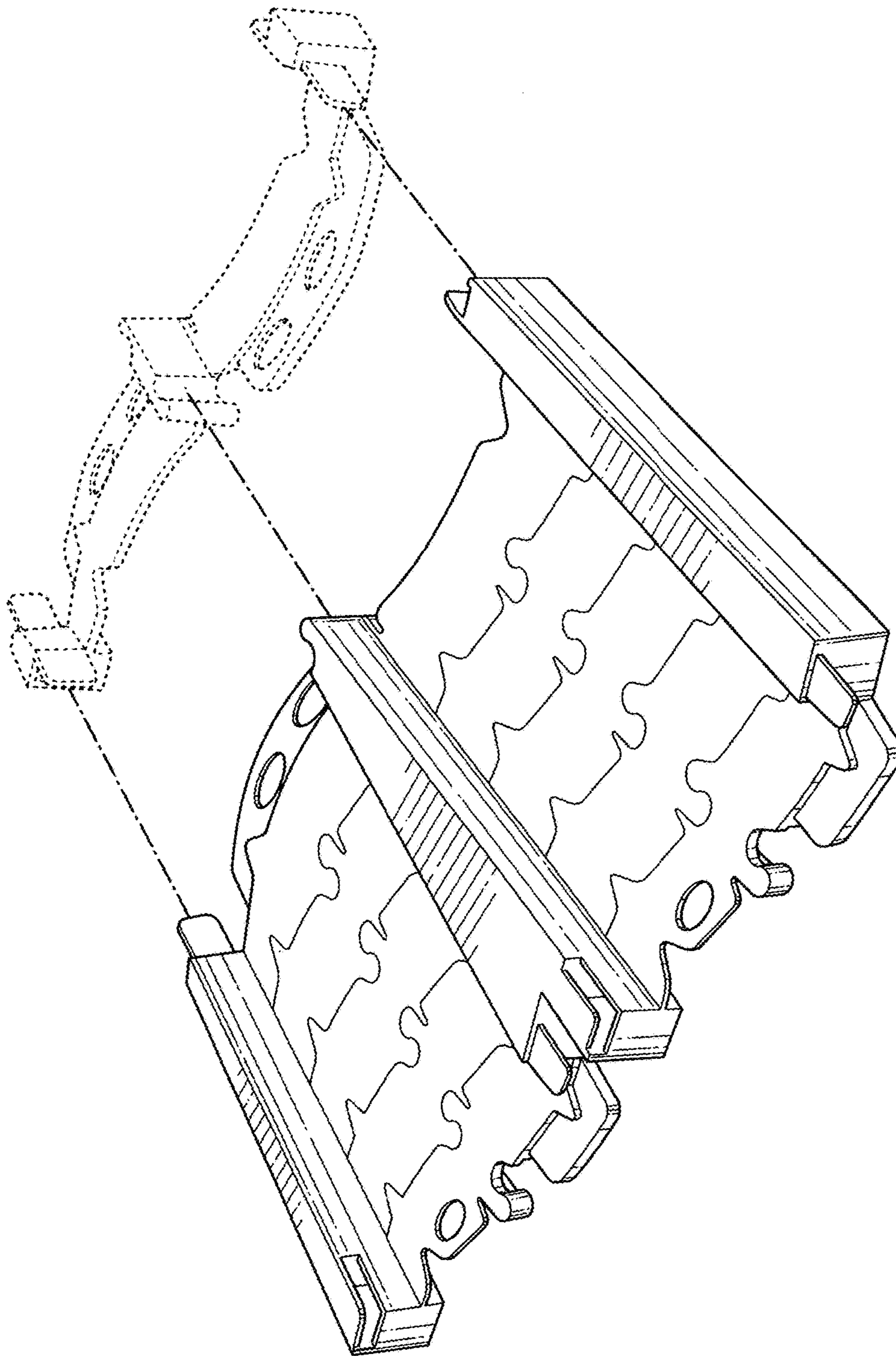


FIG. 8