



US00D863457S

(12) **United States Design Patent** (10) **Patent No.:** **US D863,457 S**  
**Ewing** (45) **Date of Patent:** **\*\* Oct. 15, 2019**

(54) **FRONT BUMPER ASSEMBLY FOR A MODEL VEHICLE**

FOREIGN PATENT DOCUMENTS

(71) Applicant: **TRAXXAS LP**, McKinney, TX (US)

TW D147600 S 6/2012  
TW D154920 S 7/2013

(Continued)

(72) Inventor: **Adam Cole Ewing**, McKinney, TX (US)

OTHER PUBLICATIONS

(73) Assignee: **TRAXXAS LP**, McKinney, TX (US)

Traxxas LP; The New Traxxas Summit 16,8 V Electric Extreme Terrain Monster Truck; Traxxas Press Release; Oct. 16, 2008.

(\*\*) Term: **15 Years**

(Continued)

(21) Appl. No.: **29/623,930**

*Primary Examiner* — Manpreet S Matharu

*Assistant Examiner* — Keith J Wilson

(22) Filed: **Oct. 27, 2017**

(74) *Attorney, Agent, or Firm* — Daryl R. Wright; Greg Carr

(51) **LOC (12) Cl.** ..... **21-01**

(52) **U.S. Cl.**

(57) **CLAIM**

USPC ..... **D21/561**; D12/163; D12/167

I claim the ornamental design for a front bumper assembly for a model vehicle, as shown and described.

(58) **Field of Classification Search**

**DESCRIPTION**

USPC ..... D12/14, 86, 87, 93, 159, 163–172, 222;  
D21/495, 548, 549, 550, 552, 559, 561,  
D21/562

CPC ..... A63H 30/04; A63H 17/26; A63H 17/262;  
A63H 17/264; A63H 17/266; A63H  
17/36; A63H 17/38; A63H 29/00; A63H  
29/22; A63H 29/24; B62D 21/00; B62D  
21/02; B62D 21/03; B62D 21/10; B62D  
21/183; B62D 39/00; B60K 7/0007;  
B60Q 1/0483

See application file for complete search history.

FIG. 1 is a top, right, front perspective view of a front bumper assembly for a model vehicle;  
FIG. 2 is front elevation view thereof;  
FIG. 3 is a rear elevation view thereof;  
FIG. 4 is a left side elevation view thereof;  
FIG. 5 is a right side elevation view thereof;  
FIG. 6 is a top plan view thereof;  
FIG. 7 is a bottom plan view thereof;  
FIG. 8 is a top, right, rear perspective view; and,  
FIG. 9 is a top, left, front perspective environmental view.  
In the drawings, the broken line showing of features of the front bumper assembly for a model vehicle illustrate portions of the front bumper assembly for a model vehicle that form no part of the claimed design; whereas, the broken line showing of the environmental view depicts environmental subject matter and is provided for the purposes of illustrating environmental structure and context.

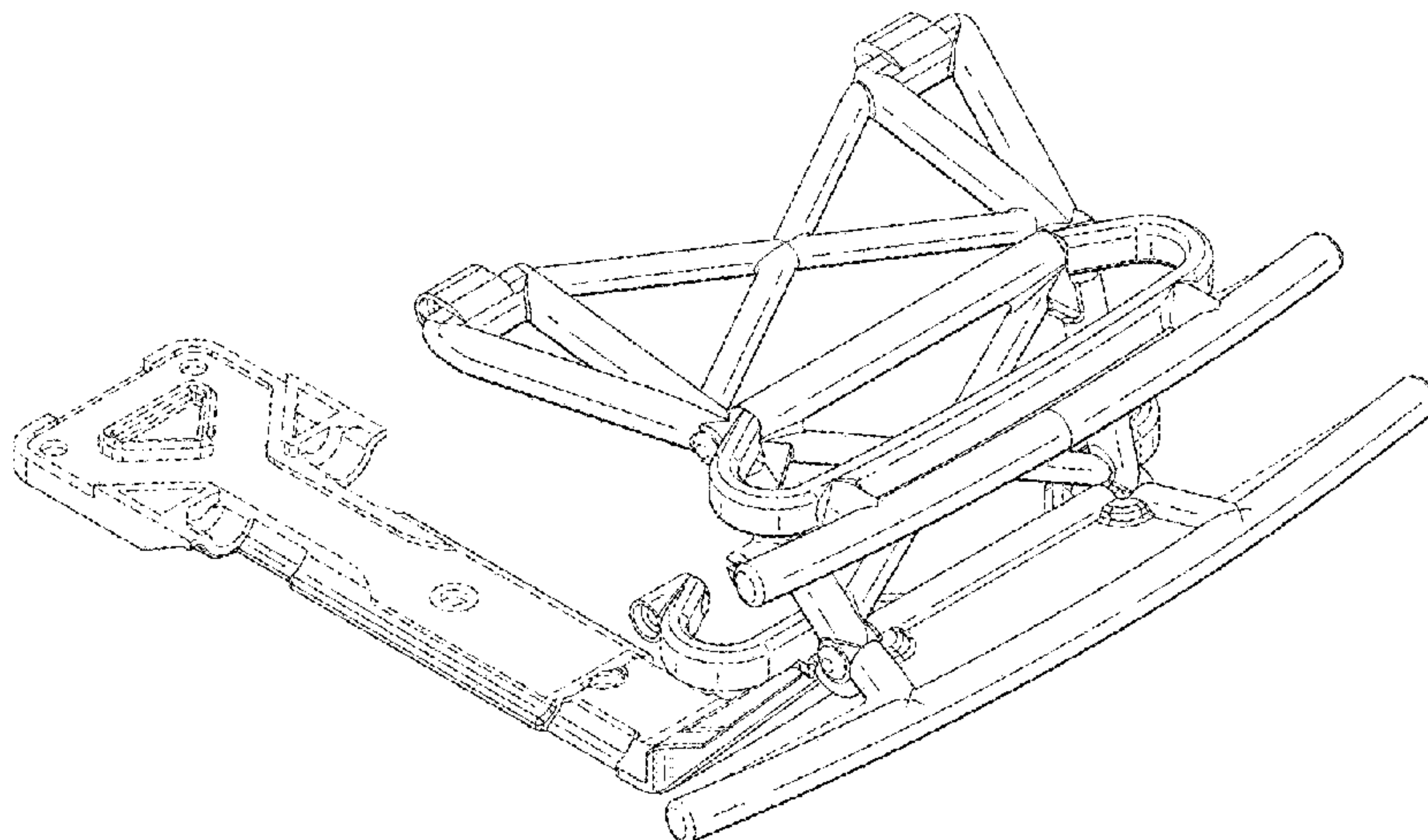
(56) **References Cited**

U.S. PATENT DOCUMENTS

1,355,592 A 10/1920 De Graw  
1,414,382 A 5/1922 Stafford  
1,427,624 A 8/1922 Newton  
1,448,504 A 3/1923 Plante  
1,464,321 A 8/1923 Koester et al.  
1,468,868 A 9/1923 Reichstetter, Jr. et al.

(Continued)

**1 Claim, 9 Drawing Sheets**





(56)

References Cited

U.S. PATENT DOCUMENTS

1,487,352 A 3/1924 Nelson  
 1,494,867 A 5/1924 Rahe  
 1,509,394 A 9/1924 Cox  
 1,534,760 A 4/1925 Blackmore  
 1,633,603 A 6/1927 Spencer  
 1,655,978 A 1/1928 Vella  
 1,729,731 A 10/1929 Vidach  
 1,836,610 A 12/1931 McMurdo  
 1,867,708 A 7/1932 Paton  
 1,982,775 A 12/1934 Williams  
 2,038,964 A 4/1936 Smith  
 2,144,357 A 1/1939 Booharin  
 2,146,642 A 2/1939 Mueth  
 2,227,560 A 1/1941 Szabo  
 2,236,507 A 4/1941 Kreits  
 D160,661 S 12/1949 Ross  
 2,502,483 A 4/1950 Sauer et al.  
 2,604,349 A 7/1952 Martinetz  
 3,547,469 A 12/1970 Sancioni  
 3,663,048 A 5/1972 Zimmerle  
 3,689,054 A 9/1972 Gouirand  
 3,756,643 A 9/1973 Weed  
 3,774,948 A 11/1973 Gouirand  
 3,782,767 A 1/1974 Moore  
 3,829,118 A 8/1974 Gouirand  
 3,837,695 A 9/1974 Haase et al.  
 3,938,840 A 2/1976 Haase et al.  
 3,971,583 A 7/1976 Kornhauser  
 4,264,094 A 4/1981 White et al.  
 D275,776 S \* 10/1984 Horowitz ..... D12/169  
 D300,128 S 3/1989 Brennan  
 5,181,699 A 1/1993 Chang  
 5,326,083 A 7/1994 Wydra et al.  
 D360,865 S 8/1995 Hanson  
 D375,067 S 10/1996 Bronstein  
 D403,023 S 12/1998 Araki  
 5,971,451 A 10/1999 Huang  
 D420,634 S 2/2000 Nelson  
 D420,962 S 2/2000 Chevalier  
 D422,953 S 4/2000 Waagenaar  
 D425,462 S 5/2000 Ujje  
 D431,506 S 10/2000 Runfola  
 6,217,090 B1 4/2001 Berzinji  
 D454,098 S 3/2002 McGuinness  
 D454,099 S 3/2002 McGuinness  
 D454,817 S 3/2002 McGuinness  
 D455,684 S 4/2002 McGuinness  
 D455,988 S 4/2002 McGuinness  
 D462,401 S \* 9/2002 Wu ..... D21/424  
 D462,727 S \* 9/2002 Wu ..... D21/433  
 D464,087 S \* 10/2002 Wu ..... D21/433  
 D476,606 S \* 7/2003 Hamm ..... D12/169  
 D485,219 S \* 1/2004 Hamm ..... D12/169  
 D487,038 S 2/2004 Chan  
 D506,421 S 6/2005 Newbill  
 D521,572 S 5/2006 Yuen  
 7,097,222 B2 8/2006 Ran  
 D527,696 S 9/2006 Ichikawa et al.  
 D532,348 S 11/2006 Kudo et al.  
 D533,606 S 12/2006 Kaminski  
 D534,593 S \* 1/2007 Yuen ..... D21/562  
 D577,083 S 9/2008 Nakayama  
 D580,322 S 11/2008 Schroeder et al.  
 D590,752 S 4/2009 Williams et al.  
 D593,616 S 6/2009 Asai  
 D606,913 S 12/2009 Robertson  
 7,703,834 B1 4/2010 Hardy et al.  
 D636,305 S 4/2011 Alvarez et al.  
 D642,099 S 7/2011 Nagao et al.  
 D683,281 S 5/2013 Harriton  
 D691,074 S 10/2013 Dugardin  
 D697,842 S 1/2014 Harriton  
 D699,640 S 2/2014 Duderstadt  
 D704,107 S 5/2014 Peltola et al.  
 D713,305 S 9/2014 Sperling et al.

D716,201 S \* 10/2014 Ewing ..... D12/171  
 D722,927 S 2/2015 Schroeder et al.  
 D726,605 S \* 4/2015 Schroeder ..... D12/171  
 D728,038 S \* 4/2015 Ewing ..... D21/561  
 D737,181 S 8/2015 Smith et al.  
 D737,724 S \* 9/2015 Schroeder ..... D12/14  
 D737,739 S 9/2015 Hanson et al.  
 D740,730 S 10/2015 Peltola et al.  
 D741,233 S 10/2015 Glover et al.  
 D744,384 S 12/2015 Harriton  
 D744,386 S 12/2015 Harriton  
 D744,387 S 12/2015 Harriton  
 D749,021 S 2/2016 Boniface et al.  
 D749,995 S 2/2016 Azadi et al.  
 D751,012 S 3/2016 Hare  
 D753,034 S 4/2016 Thole et al.  
 D760,133 S 6/2016 Bennett et al.  
 D761,166 S 7/2016 Hare  
 D763,745 S 8/2016 Lee, IV et al.  
 D771,537 S 11/2016 Hare  
 D775,013 S 12/2016 Bennett et al.  
 D775,016 S 12/2016 Reynolds  
 D776,582 S \* 1/2017 Bennett ..... D12/169  
 D777,618 S 1/2017 Setina  
 D777,619 S 1/2017 Barajas et al.  
 D778,213 S 2/2017 Platto et al.  
 D778,784 S \* 2/2017 Hirooka ..... D12/14  
 D781,193 S 3/2017 McMath  
 D781,757 S 3/2017 Baggett  
 D784,869 S \* 4/2017 Yamamoto ..... D12/169  
 D785,504 S 5/2017 Higgs  
 D786,745 S 5/2017 Zeng  
 D792,817 S \* 7/2017 McMath ..... D12/169  
 D792,818 S 7/2017 McMath  
 D793,304 S \* 8/2017 McMath ..... D12/169  
 D794,519 S 8/2017 McMath  
 D796,399 S 9/2017 Steen  
 D800,036 S \* 10/2017 Bennett ..... D12/169  
 D800,226 S 10/2017 Zeng  
 D801,892 S \* 11/2017 Drever ..... D12/171  
 D823,750 S \* 7/2018 Schulzetenberg ..... D12/171  
 D827,054 S \* 8/2018 Ewing ..... D21/561  
 D827,055 S \* 8/2018 Barajas ..... D21/561  
 D832,368 S \* 10/2018 Barajas ..... D21/561  
 2009/0212581 A1 \* 8/2009 Dreyer ..... B60R 19/52  
 2009/0302623 A1 12/2009 Finney  
 2013/0187395 A1 7/2013 Hanson  
 2017/0088076 A1 3/2017 Fujimoto et al.  
 2017/0247014 A1 8/2017 Farooq et al.  
 2017/0349227 A1 12/2017 Spindler et al.

FOREIGN PATENT DOCUMENTS

TW D163365 S 10/2014  
 TW D168397 S 6/2015  
 TW D169825 S 8/2015

OTHER PUBLICATIONS

Summit E-REVO Crawler SP08503 front bumper; Oct. 16, 2008.  
 “How Do I Add a Ball Hitch to my RPM Rear Bumper (T/E-Maxx & Revo Bumpers)?” RPM, Jul. 30, 2005 [online], [retrieved on Sep. 12, 1996]. Retrieved from the internet ,URL:[http://www.rpmrcproducts.com/faq/add-ball-hitch\\_rpm-rear-bumprer-te-maxx-revo-bumpers/](http://www.rpmrcproducts.com/faq/add-ball-hitch_rpm-rear-bumprer-te-maxx-revo-bumpers/).  
 “WARN 87750 Elite Series Front Bumper with Grill Guard Tube” RPM, Jul. 17, 2013 [online], [retrieved on Sep. 12, 2016]. Retrieved from Internet ,URL: [https://www.amazon.com/gp/product/B00625F4FI/ref=pd\\_sim\\_263\\_5?ie=UTF8&pd\\_rd\\_i=B00625F4FI&pd\\_rd\\_r=QN6NZ5WV34ZS00Z3BSGH&pd\\_rd\\_w=4XjJD&pd\\_rd\\_wg=7Z8017&psc=1&refRID=QN6NZ5WV34ZS0](https://www.amazon.com/gp/product/B00625F4FI/ref=pd_sim_263_5?ie=UTF8&pd_rd_i=B00625F4FI&pd_rd_r=QN6NZ5WV34ZS00Z3BSGH&pd_rd_w=4XjJD&pd_rd_wg=7Z8017&psc=1&refRID=QN6NZ5WV34ZS0).  
 “Yeah Racing F/R Bumper w/ HD Shackie & LED’s—SCX10, Traxxas.” RC Hobbies, Nov. 12, 2014 [online], [retrieved on Sep. 12, 2016]. Retrieved from the Internet <URL: [http://rchoobbies.com.au/store/product\\_info.php?products\\_id=80405](http://rchoobbies.com.au/store/product_info.php?products_id=80405)>.

(56)

**References Cited**

OTHER PUBLICATIONS

Taiwan IPO Search Report; Taiwan Design Patent App No. 105301434; dated Aug. 4, 2016.

Associated Electrics; “Catalog and Parts Listing for the Monster GT Truck”; 2003; Associated Electrics, Inc., Costa Mesa, California; (admitted prior art).

Horizon Hobby; “Team Losi LST Super Truck—Drive Train Assy” exploded view; Horizon Hobby, Inc., Champaign, Illinois; (admitted prior art).

HPI Racing, “Savage 21 4WD Giant Monster Truck” p. 56 exploded view; Hobby Products International, Foothill Ranch, California; (admitted prior art).

Tamiya, “Terra Crusher Parts Breakdown—Front End”; Tamiya America, Inc., Aliso Viejo, California (admitted prior art).

Tamiya, “Wild Willy 2 Parts Breakdown”; 1999, Tamiya America, Inc., Aliso Viejo, California.

Tamiya, “Wild Willy”; Tamiya America, Inc., Aliso Viejo, California; 1 photograph (admitted prior art).

Traxxas, “T-MAXX Assemblies—Front Assembly”; TRAXXAS LP, Plano, Texas (admitted prior art).

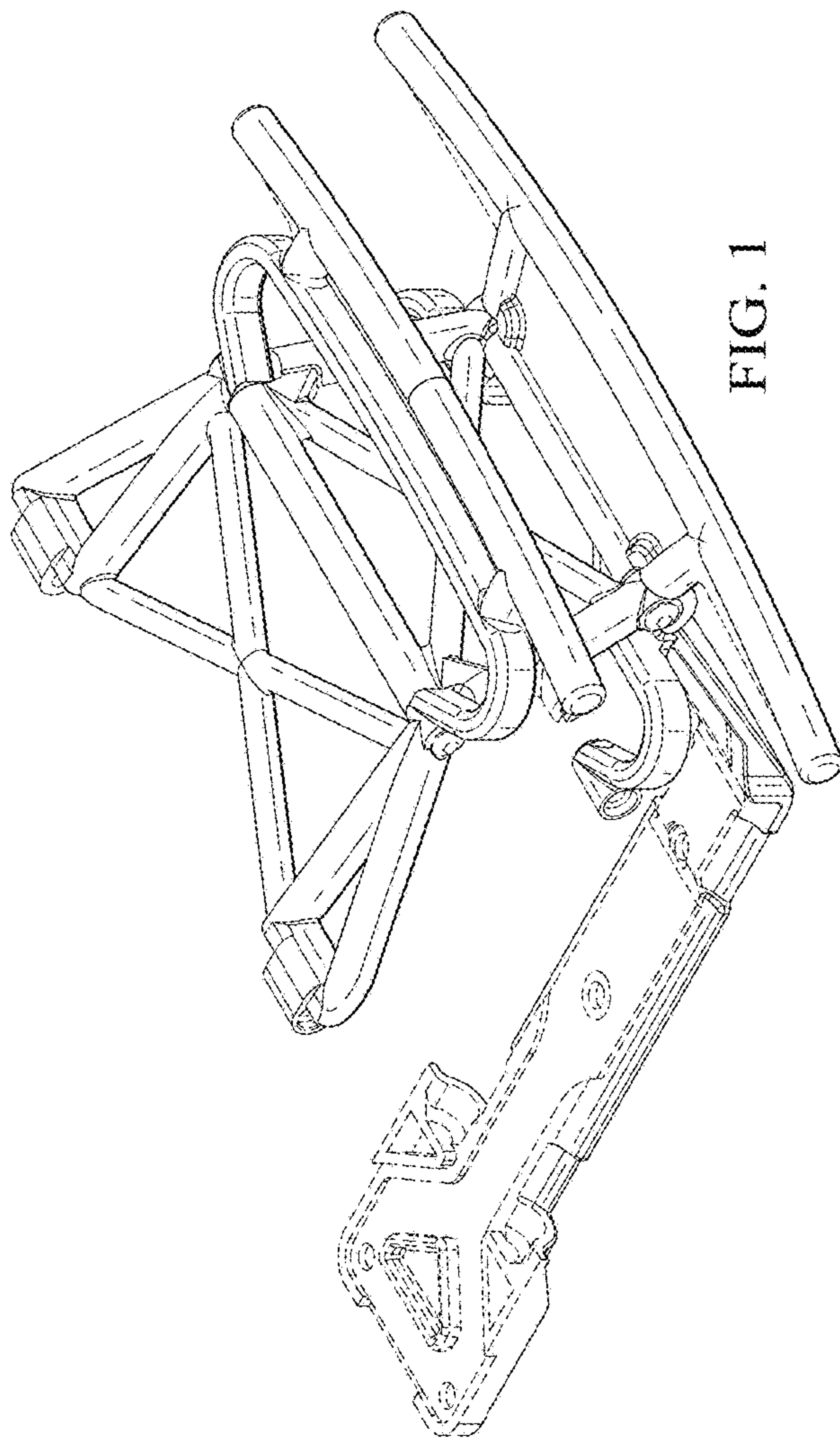
Axial SCX10 II 2000 Jeep Cherokee; <http://www.axialracing.com/products/ax90047>; Aug. 2016.

Axial SCX 10 Deadbolt; <http://www.axialracing.com/products/ax90044>; Aug. 2016.

Traxxas; Bumper support geometry, body mounts, body mount posts; <https://traxxas.com/products/parts/3619>; Oct. 2016.

Sema 2015 Fab Fours; 2 photos.

\* cited by examiner





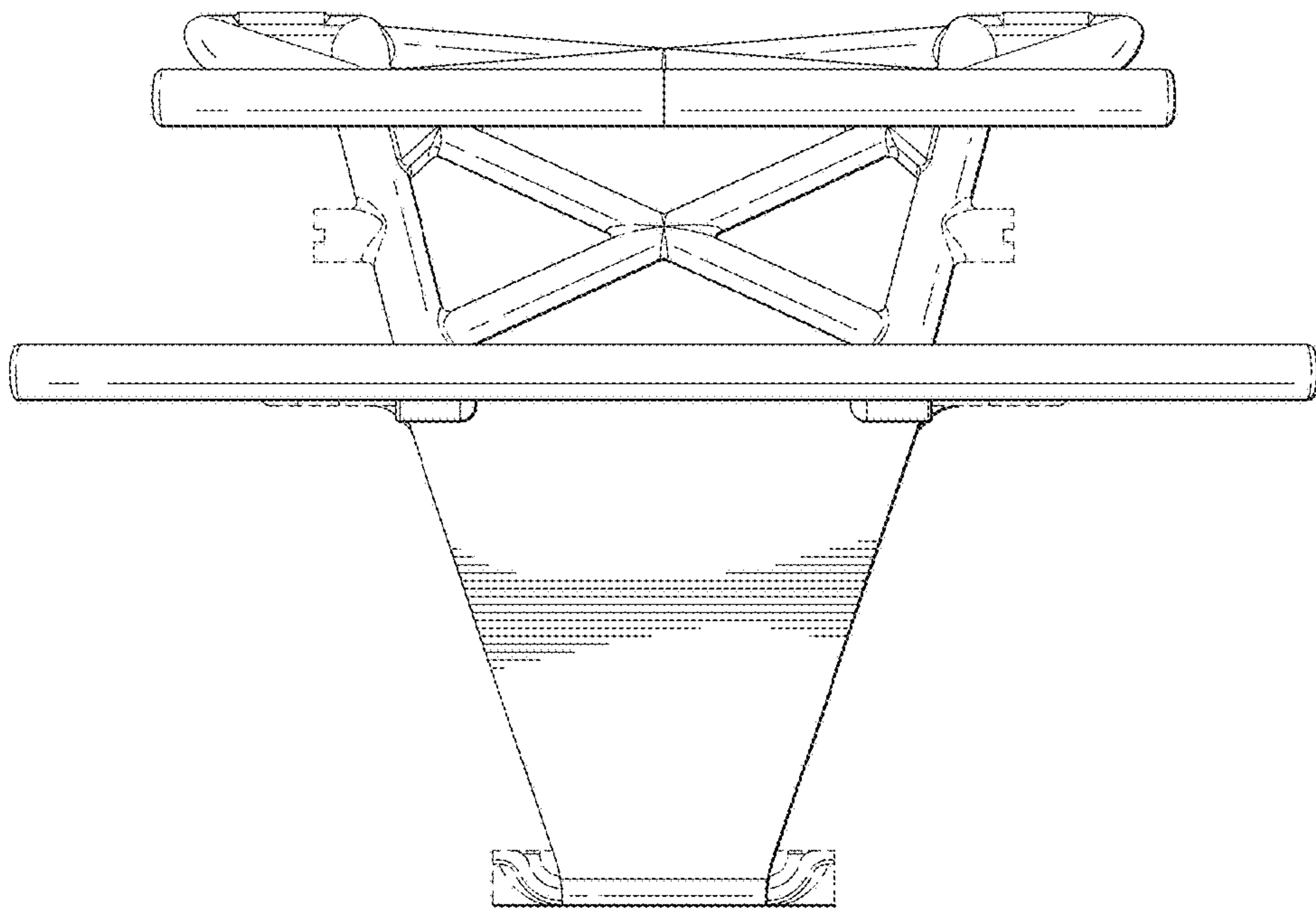


FIG. 2

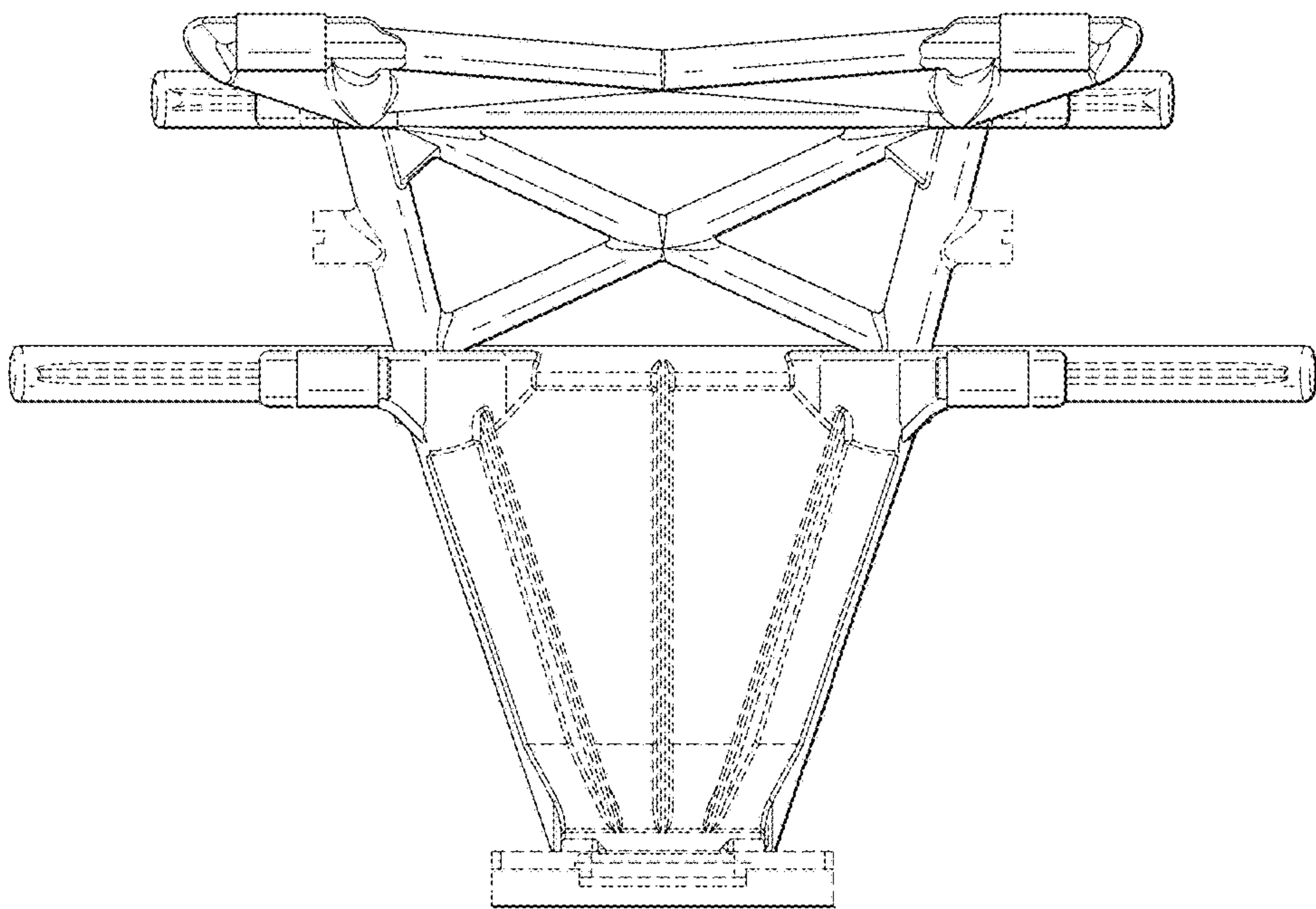


FIG. 3

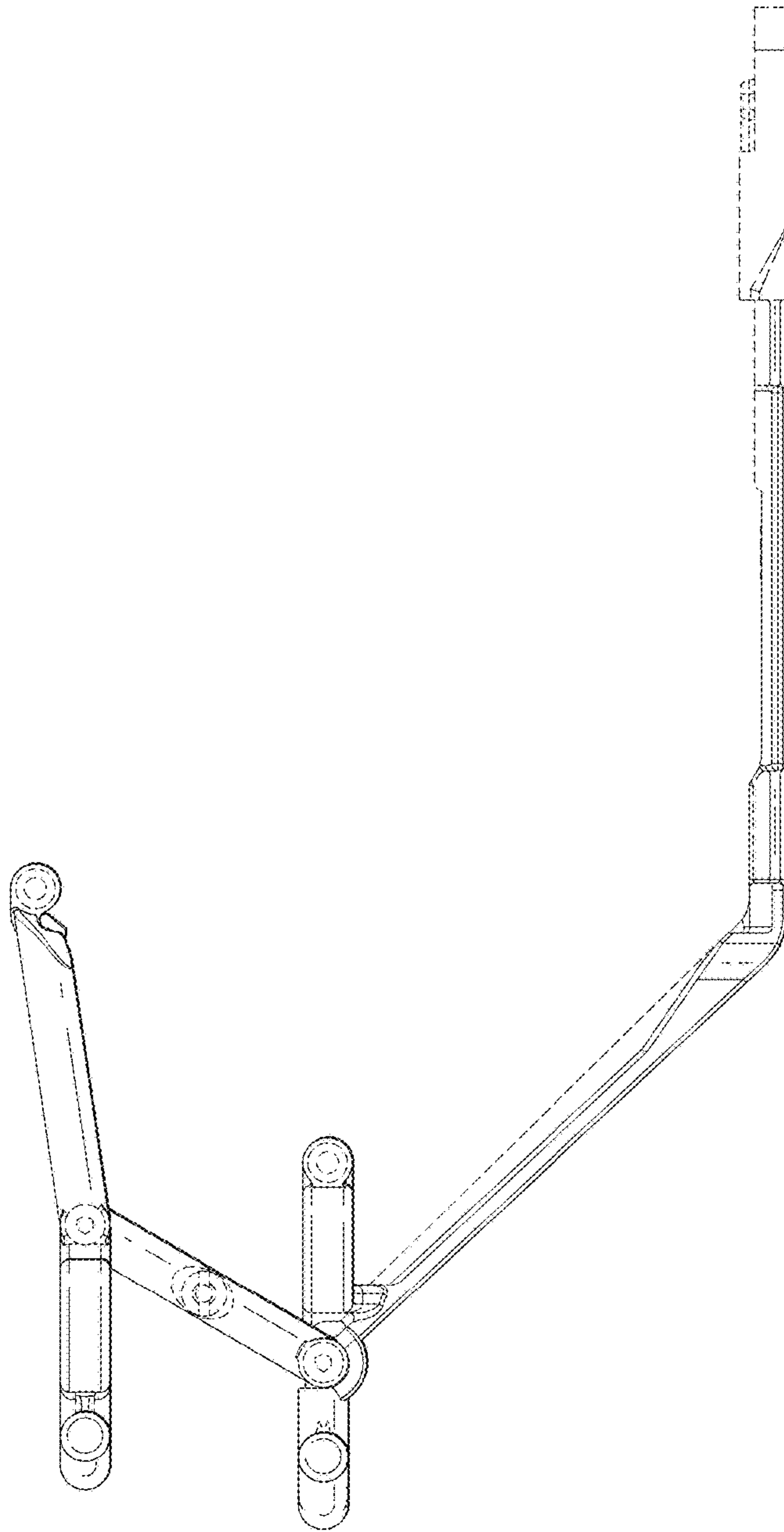


FIG. 4

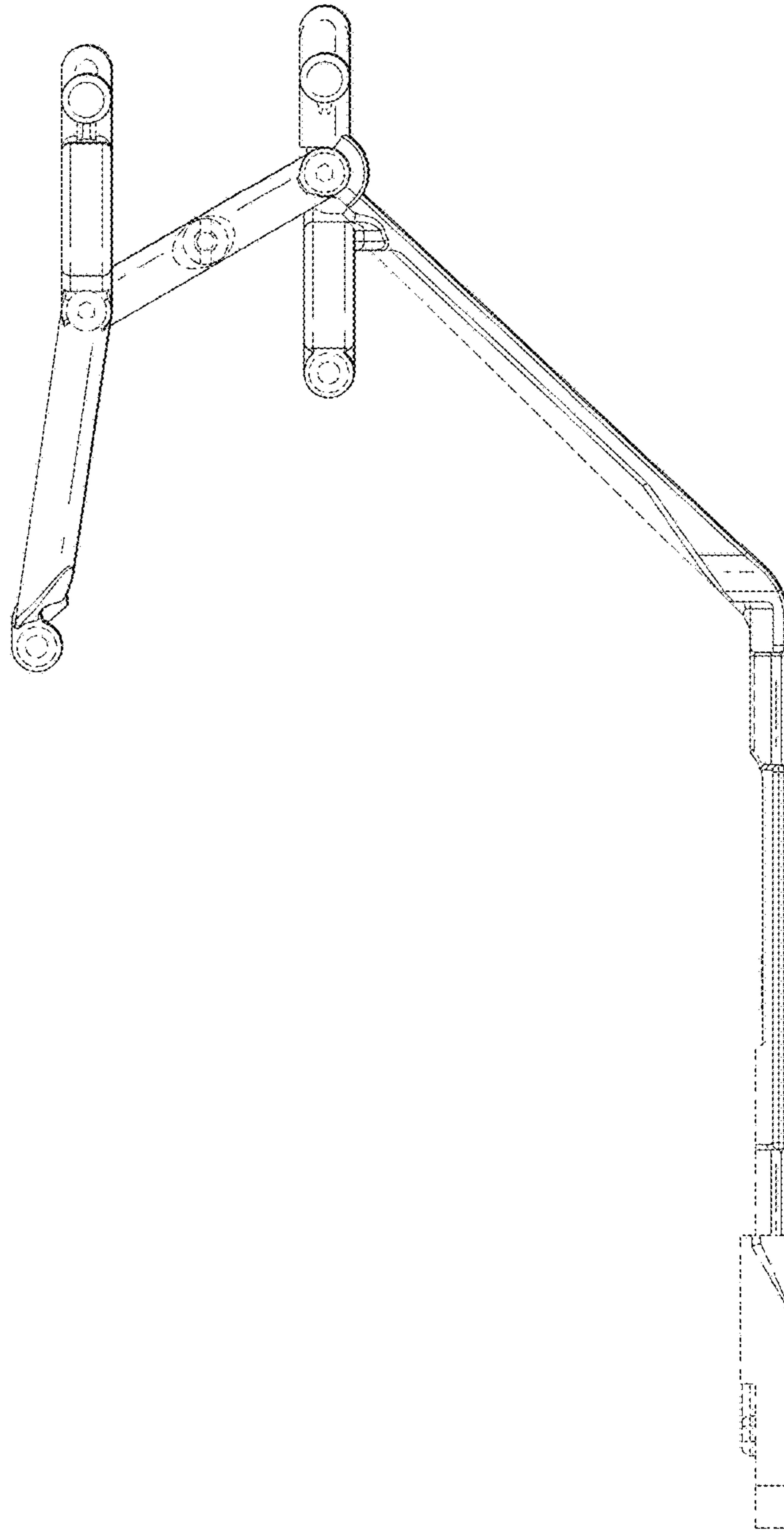


FIG. 5



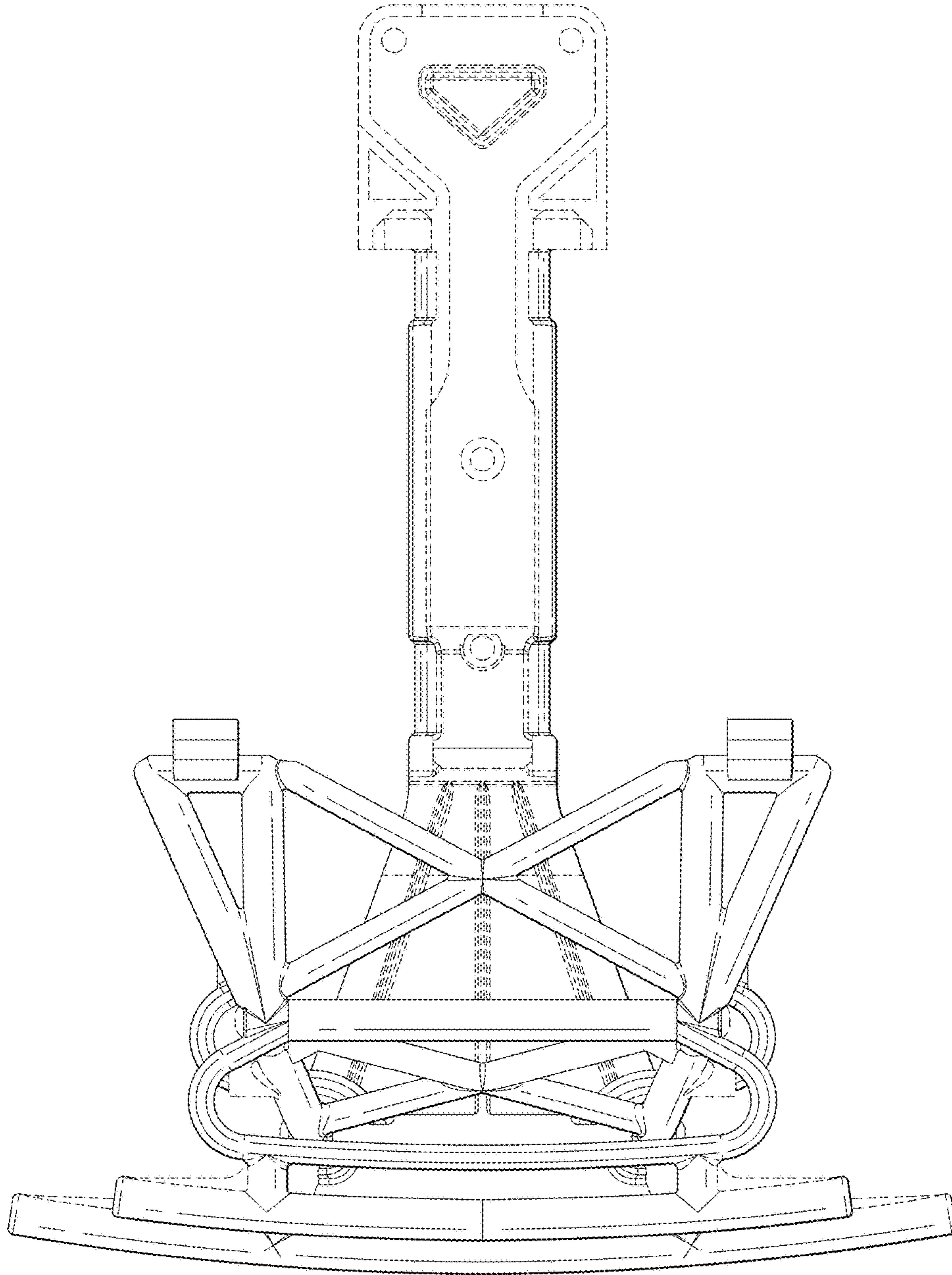


FIG. 6

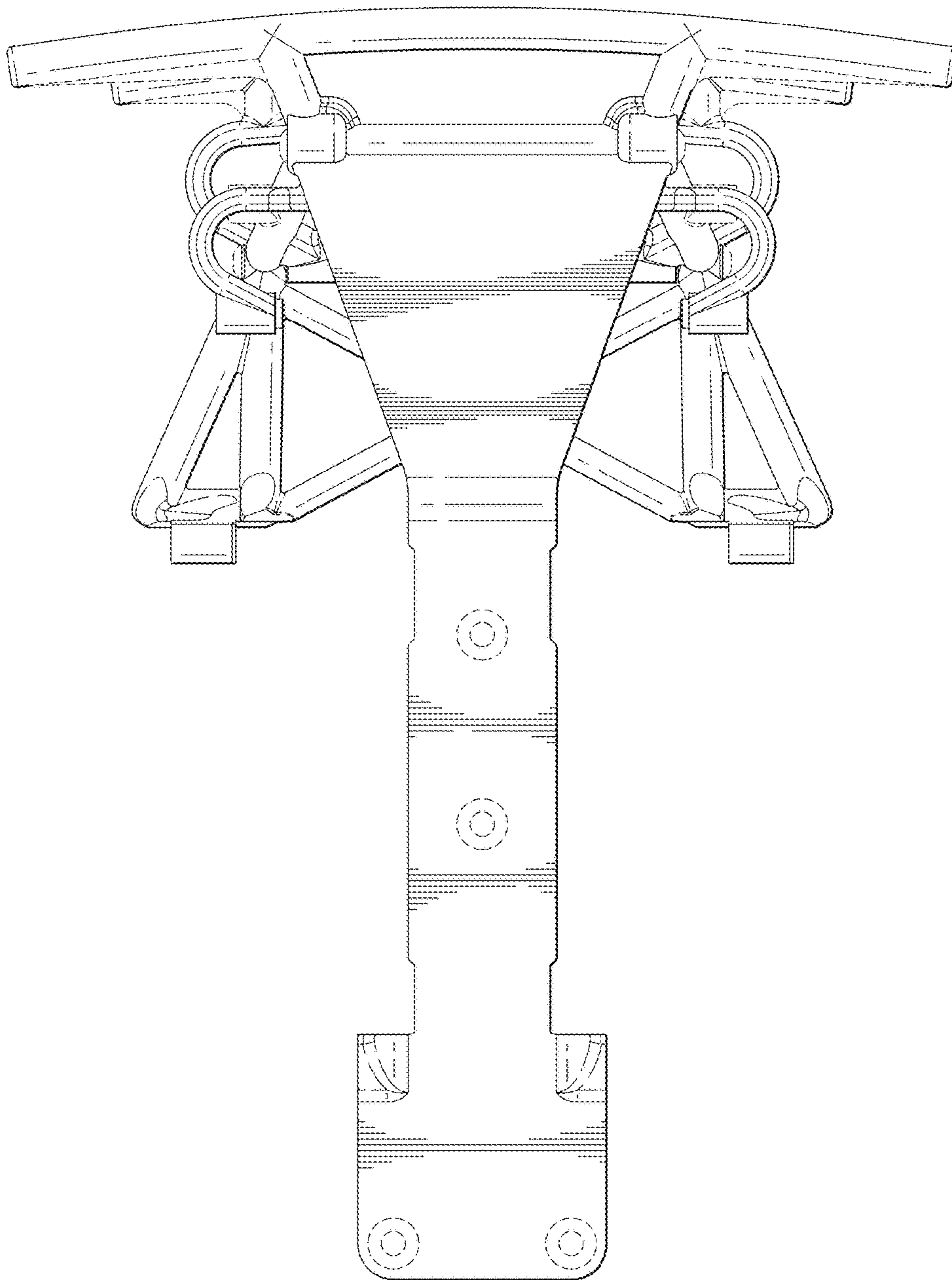


FIG. 7

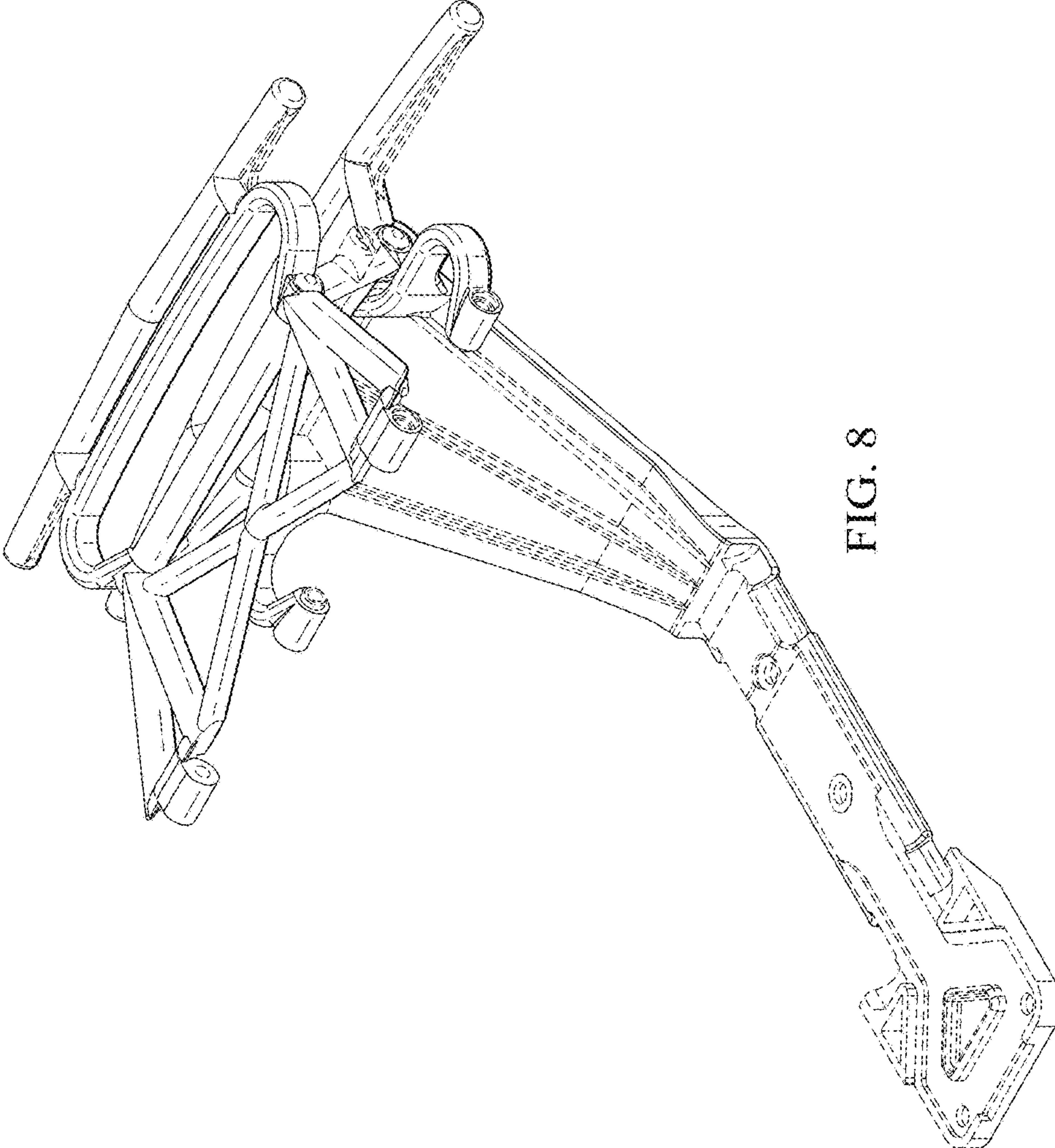


FIG. 8

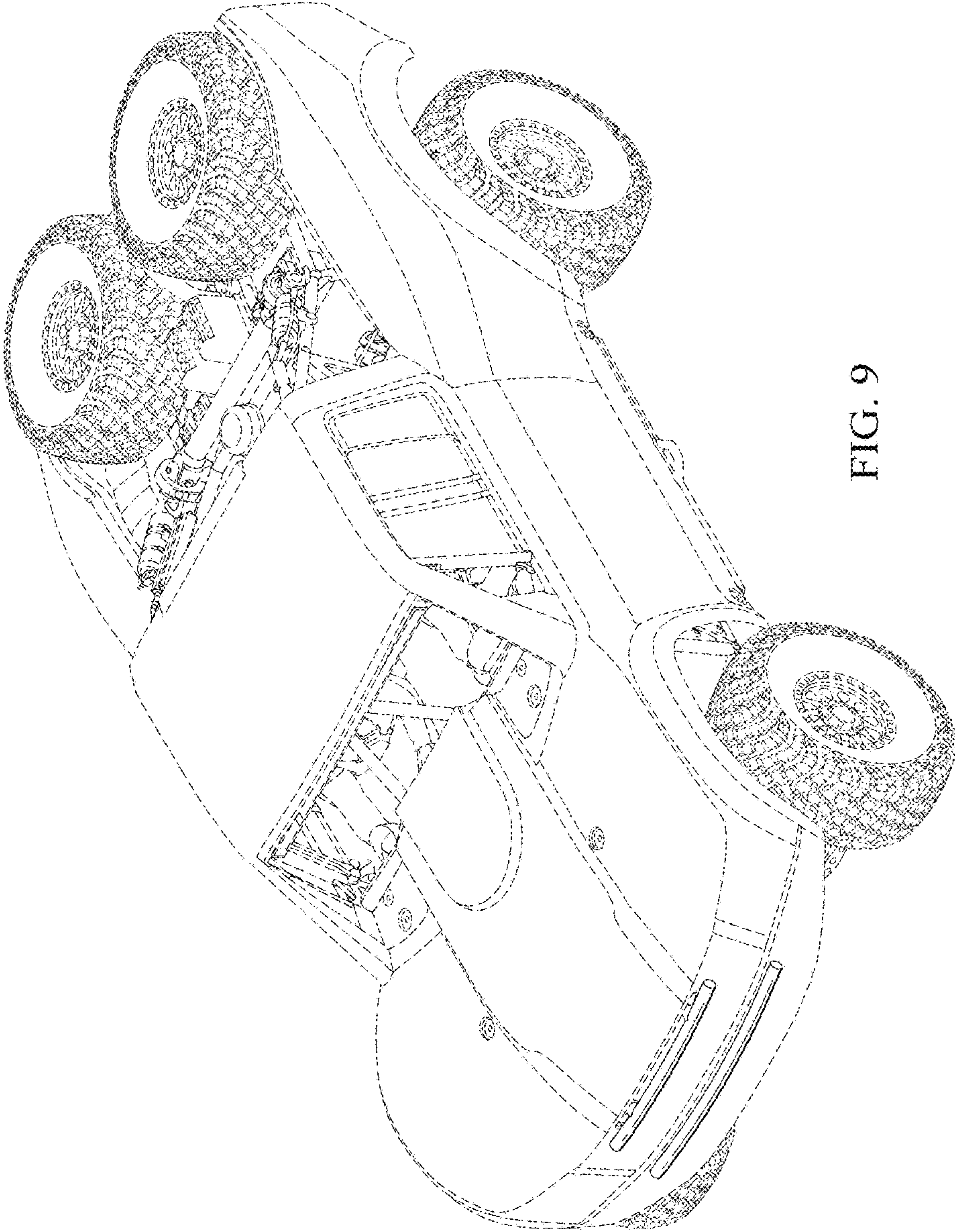


FIG. 9