



US00D863454S

(12) **United States Design Patent** (10) **Patent No.:** **US D863,454 S**
Lane (45) **Date of Patent:** **** Oct. 15, 2019**

(54) **CASTLE WINDOW CUTTER** 1,330,197 A * 2/1920 Leland A63H 33/001
249/168
(71) Applicant: **Create A Castle, LLC**, New Milford, 1,562,519 A * 11/1925 Ruppel B28B 7/0038
CT (US) 249/112
(72) Inventor: **Kevin Lane**, New Milford, CT (US) D71,926 S * 1/1927 Phoenix D25/60
D220,048 S * 3/1971 Reading D21/472
3,691,672 A * 9/1972 Pendill A63H 33/044
446/70
(73) Assignee: **CREATE A CASTLE, LLC**, New Milford, CT (US) (Continued)

(**) Term: **15 Years**

(21) Appl. No.: **29/630,919**

(22) Filed: **Dec. 22, 2017**

(51) **LOC (12) Cl.** **21-01**

(52) **U.S. Cl.**
USPC **D21/472; D21/468; D21/494; D21/510;**
D8/98

(58) **Field of Classification Search**
USPC D21/472, 494, 507, 510, 483, 484, 490,
D21/493, 497, 532; D15/135, 136;
D7/672, 675; D8/98; D19/72, 108, 109,
D19/111; D25/35, 48.7, 48.8, 60, 61,
D25/116, 154; 446/70, 85, 86, 110;
425/276, 281, 298, 299, 318, DIG. 57,
425/DIG. 125; 249/60, 117; 30/114,
30/305, 315, 316

CPC A63H 33/001; A63H 33/04; A63H 33/044;
A63H 33/32; B28B 7/0029; B28B
7/0038; B28B 7/0064; B28B 7/16; B28B
7/183; B28B 7/186; B28B 7/22; B29C
33/42; B29C 33/424; B29C 33/426; B26F
1/14; B26F 1/32; B26F 1/38; B26F 1/40;
B26F 1/44; B26F 1/46
See application file for complete search history.

(56) **References Cited**

U.S. PATENT DOCUMENTS

1,030,529 A * 6/1912 Painchaud B26F 1/44
411/366.1
1,287,599 A * 12/1918 Leland et al. B28B 7/168
249/146

1,330,197 A * 2/1920 Leland A63H 33/001
249/168
1,562,519 A * 11/1925 Ruppel B28B 7/0038
249/112
D71,926 S * 1/1927 Phoenix D25/60
D220,048 S * 3/1971 Reading D21/472
3,691,672 A * 9/1972 Pendill A63H 33/044
446/70

(Continued)

FOREIGN PATENT DOCUMENTS

DE 1009546 B * 5/1957 A63H 33/044
DE 202018000888 U1 * 3/2018 A63H 33/32

(Continued)

OTHER PUBLICATIONS

Screenshots of webpages at Can You Dig it Sand Tools (sandtools.com), downloaded Apr. 17, 2018, 5 pages.

(Continued)

Primary Examiner — Catherine A Tuttle
(74) *Attorney, Agent, or Firm* — Michael D. Downs;
Fincham Downs LLC

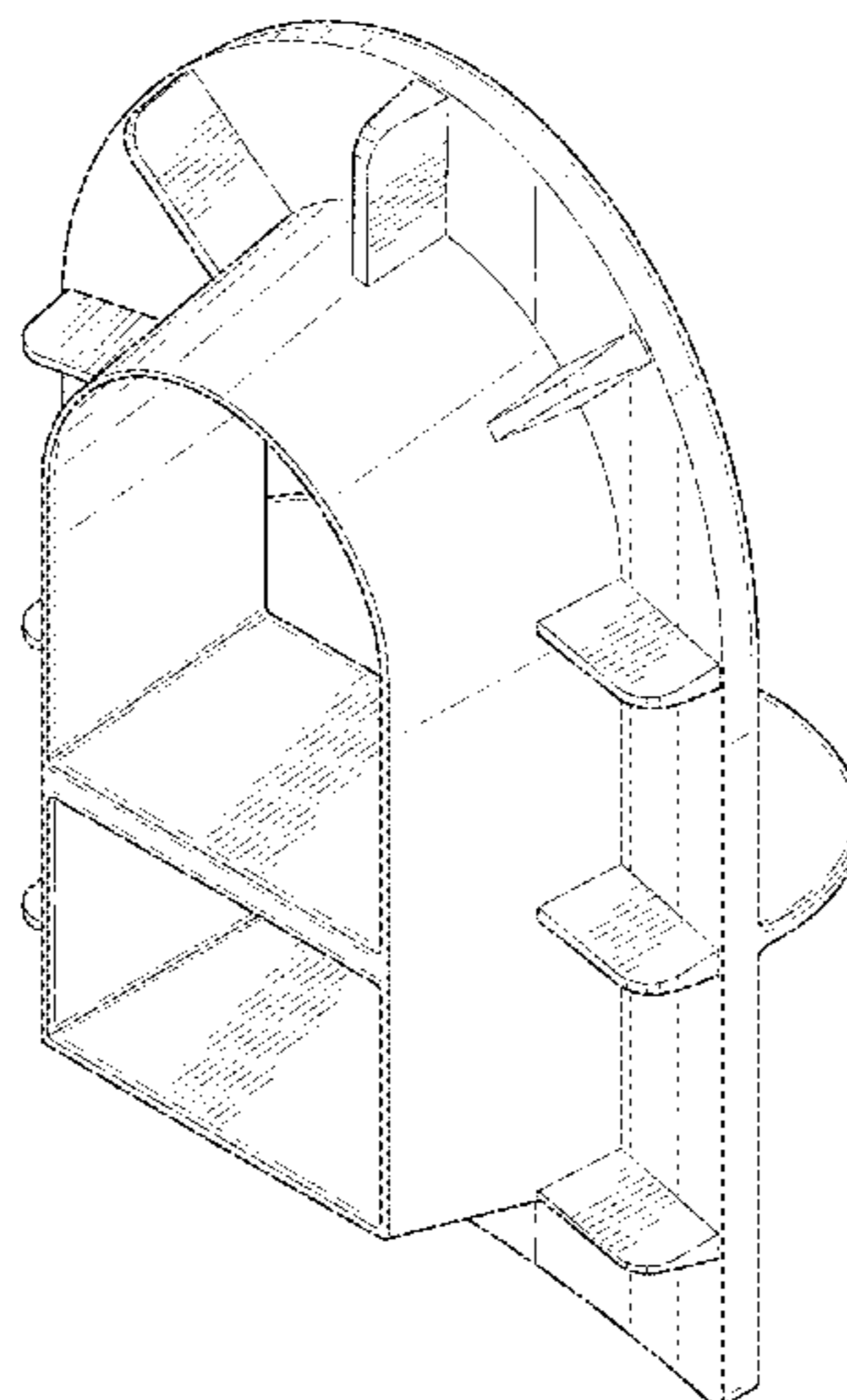
(57) **CLAIM**

The ornamental design for a castle window cutter, as shown and described.

DESCRIPTION

FIG. 1 is perspective view of a castle window cutter showing the new design;
FIG. 2 is a front elevational view thereof;
FIG. 3 is a back elevational view thereof;
FIG. 4 is a right-side elevational view thereof;
FIG. 5 is a left-side elevational view thereof;
FIG. 6 is a top plan view thereof; and,
FIG. 7 is a bottom plan view thereof.

1 Claim, 7 Drawing Sheets



(56)

References Cited

U.S. PATENT DOCUMENTS

D246,064 S * 10/1977 Koblick D21/472
 D252,345 S * 7/1979 Bassinger D21/472
 4,245,973 A * 1/1981 Greaney A47J 43/282
 249/117
 D270,599 S * 9/1983 Gershman D7/672
 4,455,752 A * 6/1984 Koulouras A63H 33/32
 33/41.4
 D284,251 S * 6/1986 Stricker D7/675
 4,614,324 A * 9/1986 Yamashita B28B 7/0029
 249/100
 D382,312 S * 8/1997 Petersson D21/497
 5,720,614 A * 2/1998 Pestano A63H 33/32
 434/82
 6,126,876 A 10/2000 Demarzo
 6,342,175 B1 * 1/2002 Brown A47J 25/00
 264/155
 6,415,926 B1 7/2002 Long
 D629,917 S * 12/2010 Kitagawa D25/35
 D639,870 S * 6/2011 Madsen D21/494
 D688,534 S * 8/2013 Altounian D7/675
 D792,984 S * 7/2017 Trahan D25/35

10,080,979 B2 * 9/2018 Lane A63H 33/32
 2002/0083597 A1 * 7/2002 Garner B26D 5/10
 30/316
 2004/0142063 A1 * 7/2004 Kolz A21C 3/021
 425/298
 2005/0189084 A1 * 9/2005 Bitton A63H 33/32
 164/109
 2005/0249835 A1 11/2005 Racunas
 2005/0274242 A1 * 12/2005 McMahon B26F 1/32
 83/13

FOREIGN PATENT DOCUMENTS

FR 1192980 A * 10/1959 A63H 33/04
 FR 1230568 A * 9/1960 A63H 33/32
 WO WO-2006003345 A1 * 1/2006 A63H 33/086

OTHER PUBLICATIONS

Screenshots of webpage and product images at <https://uedata.amazon.com/PSE-Create-A-Castle-Beach-Builder-Set/dp/B00R4UVCWO>, downloaded Apr. 17, 2018, 9 pages.

* cited by examiner

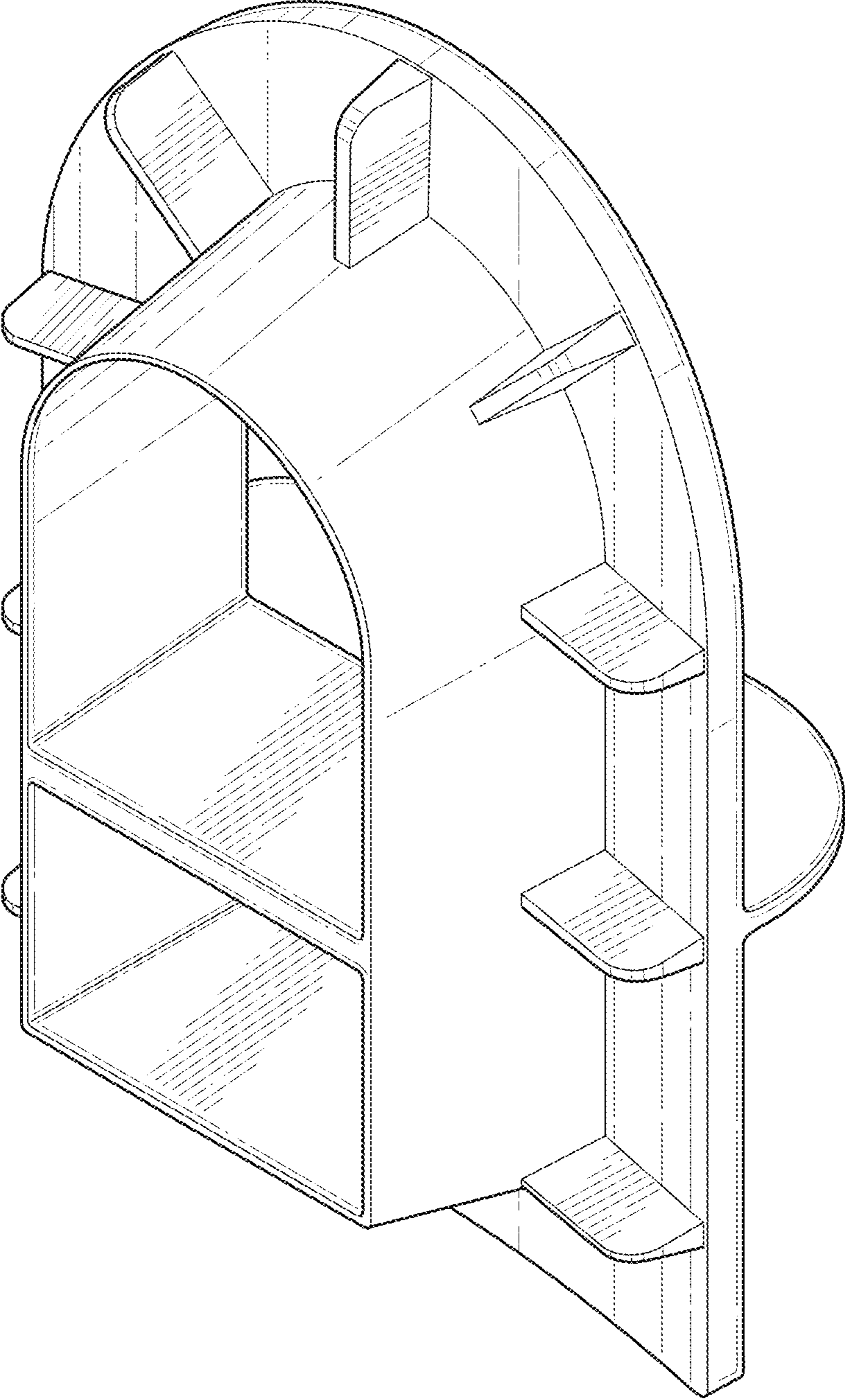


FIG. 1

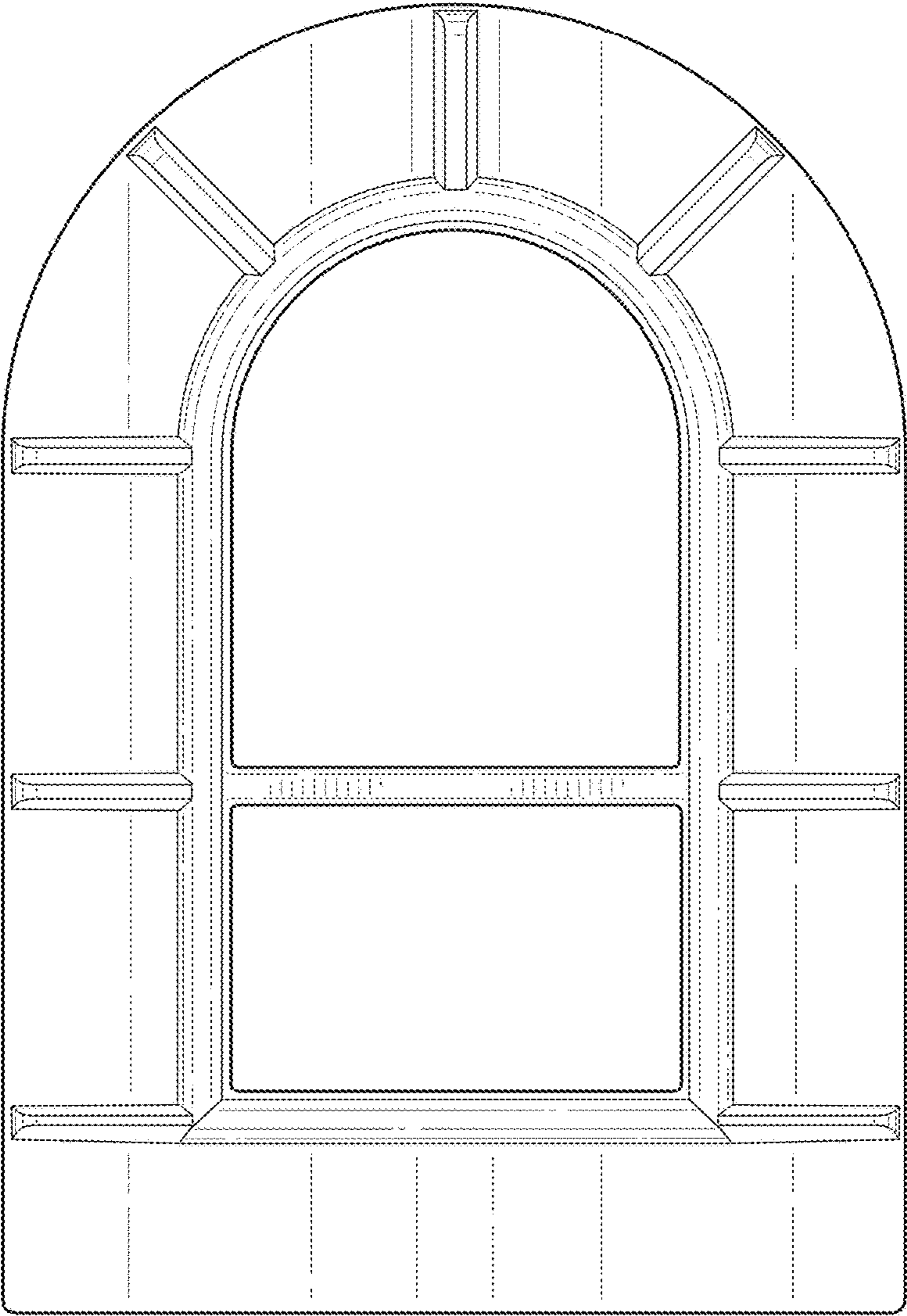


FIG. 2

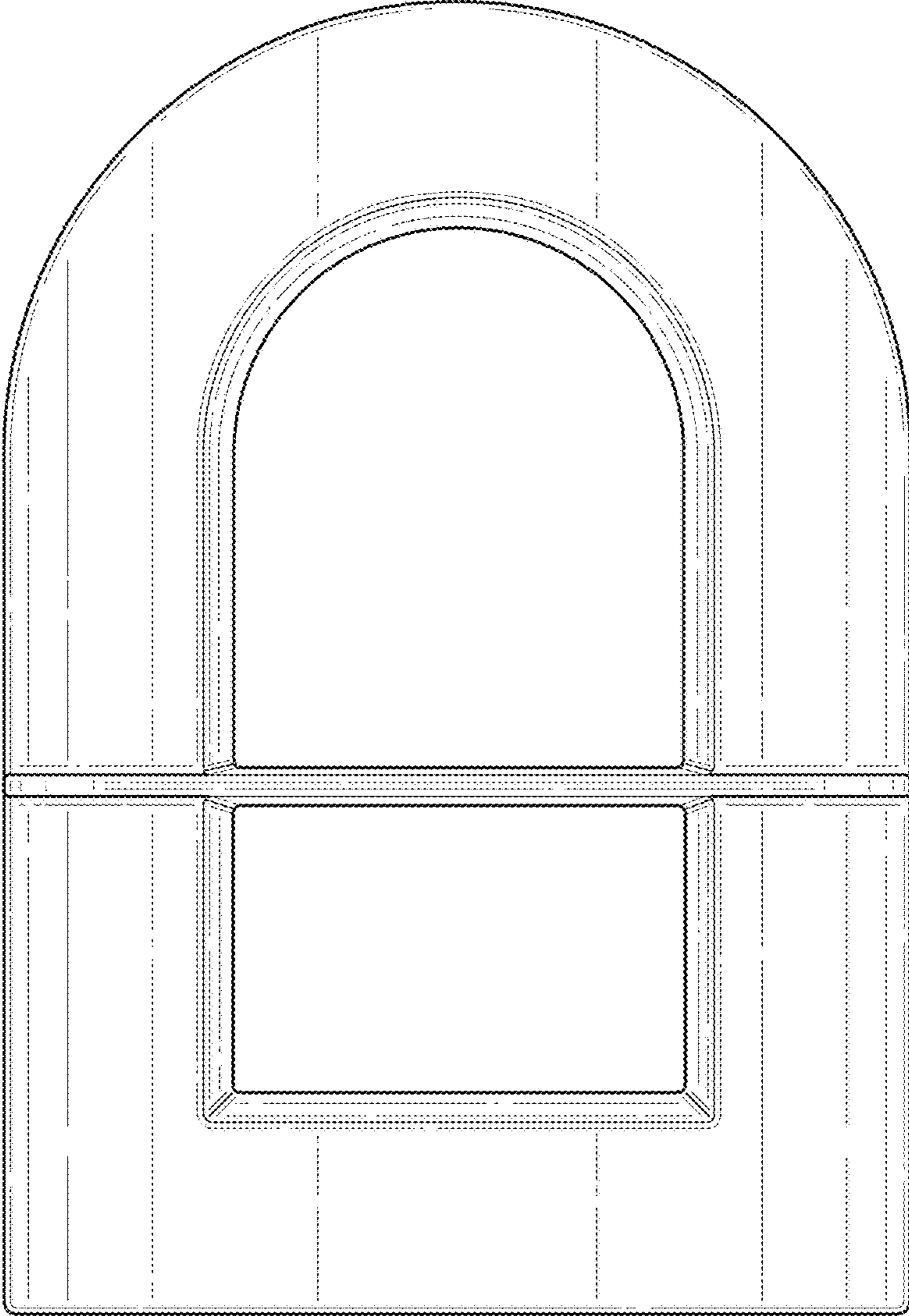


FIG. 3

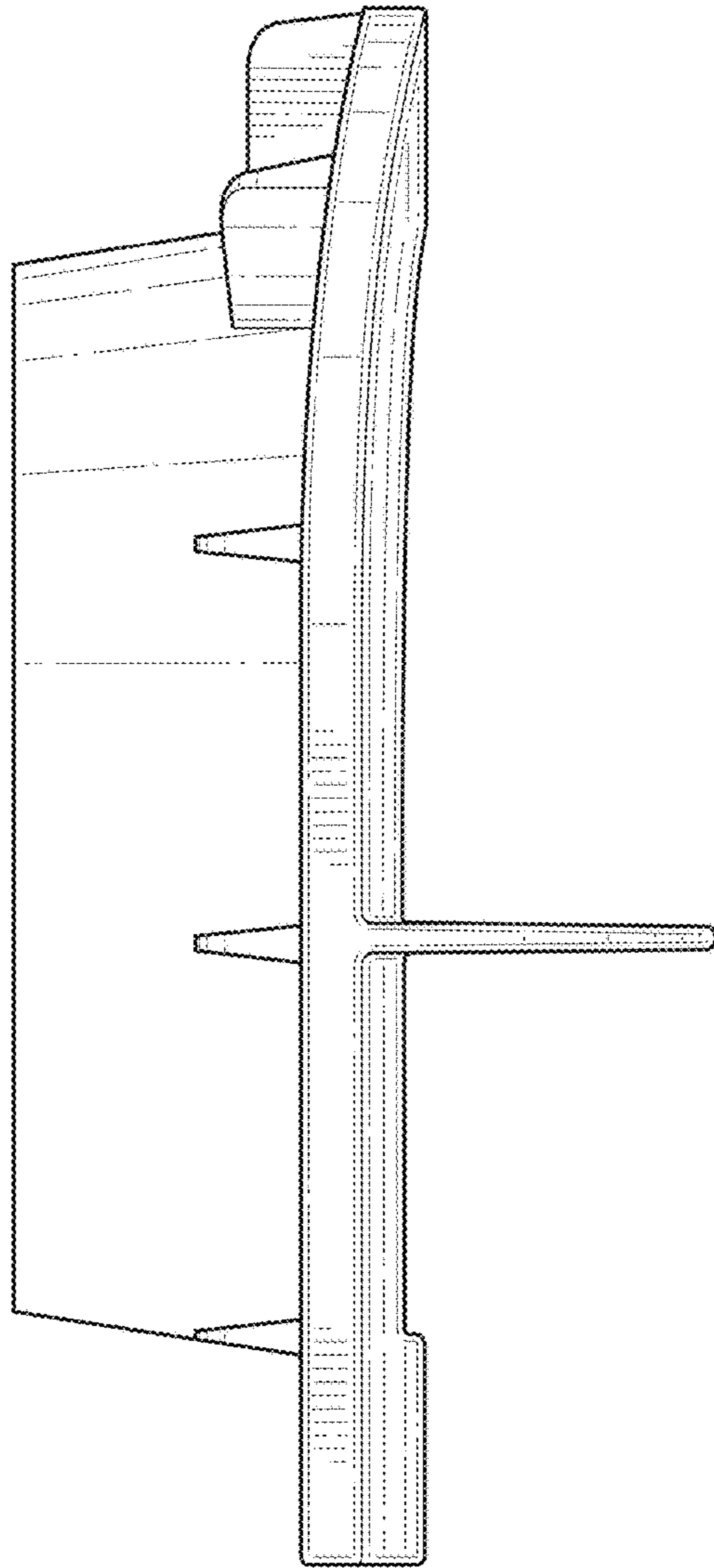


FIG. 4

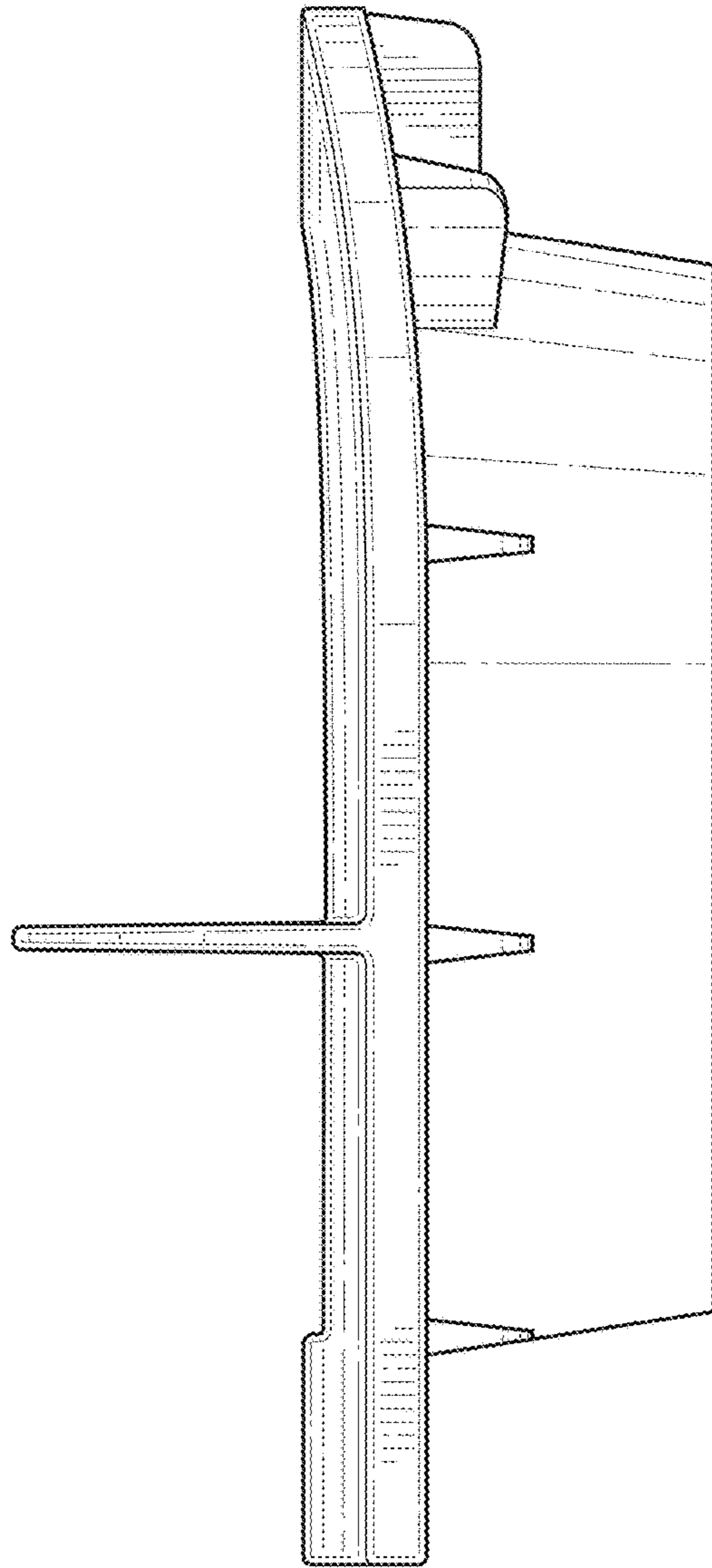


FIG. 5

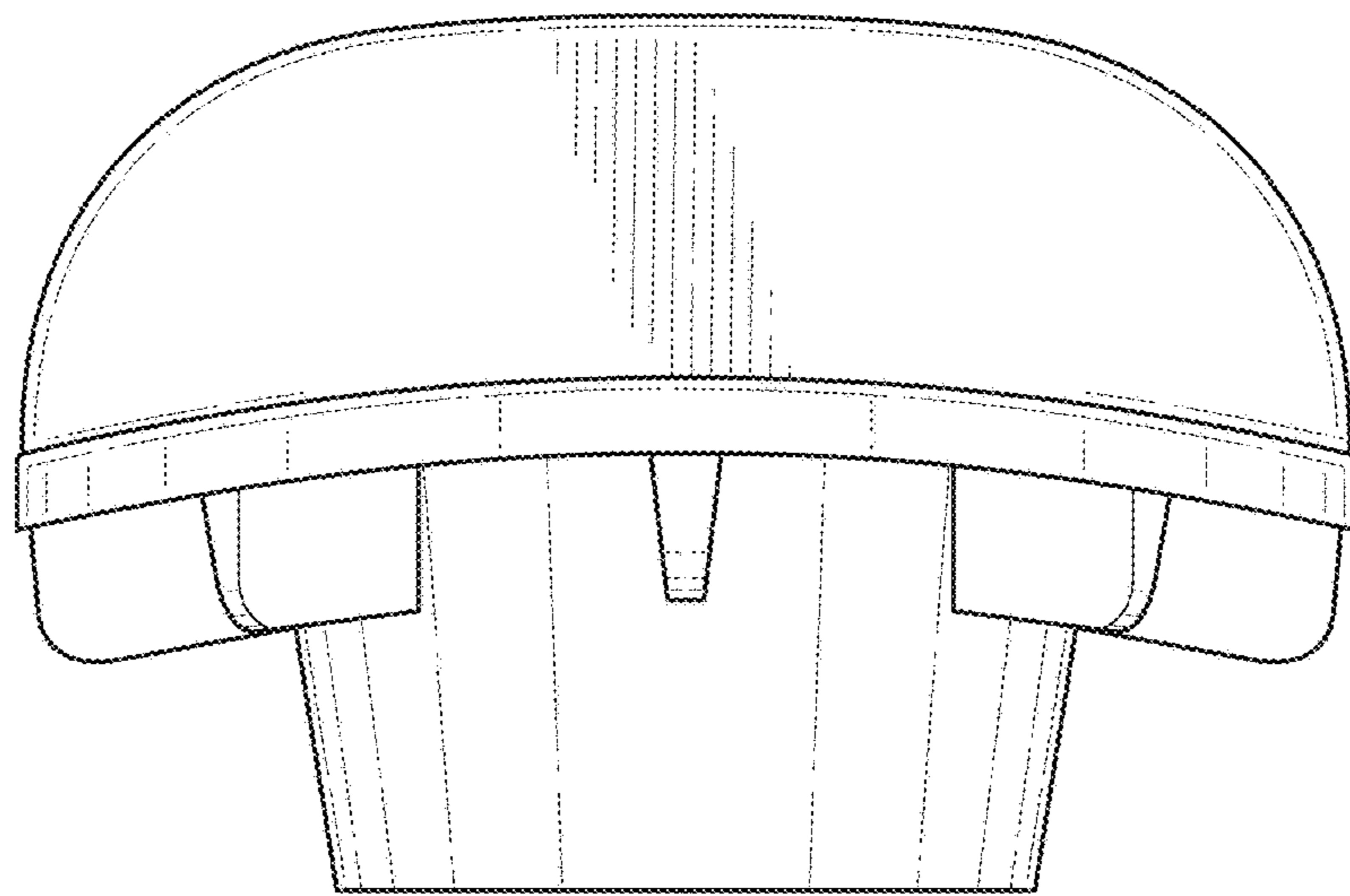


FIG. 6

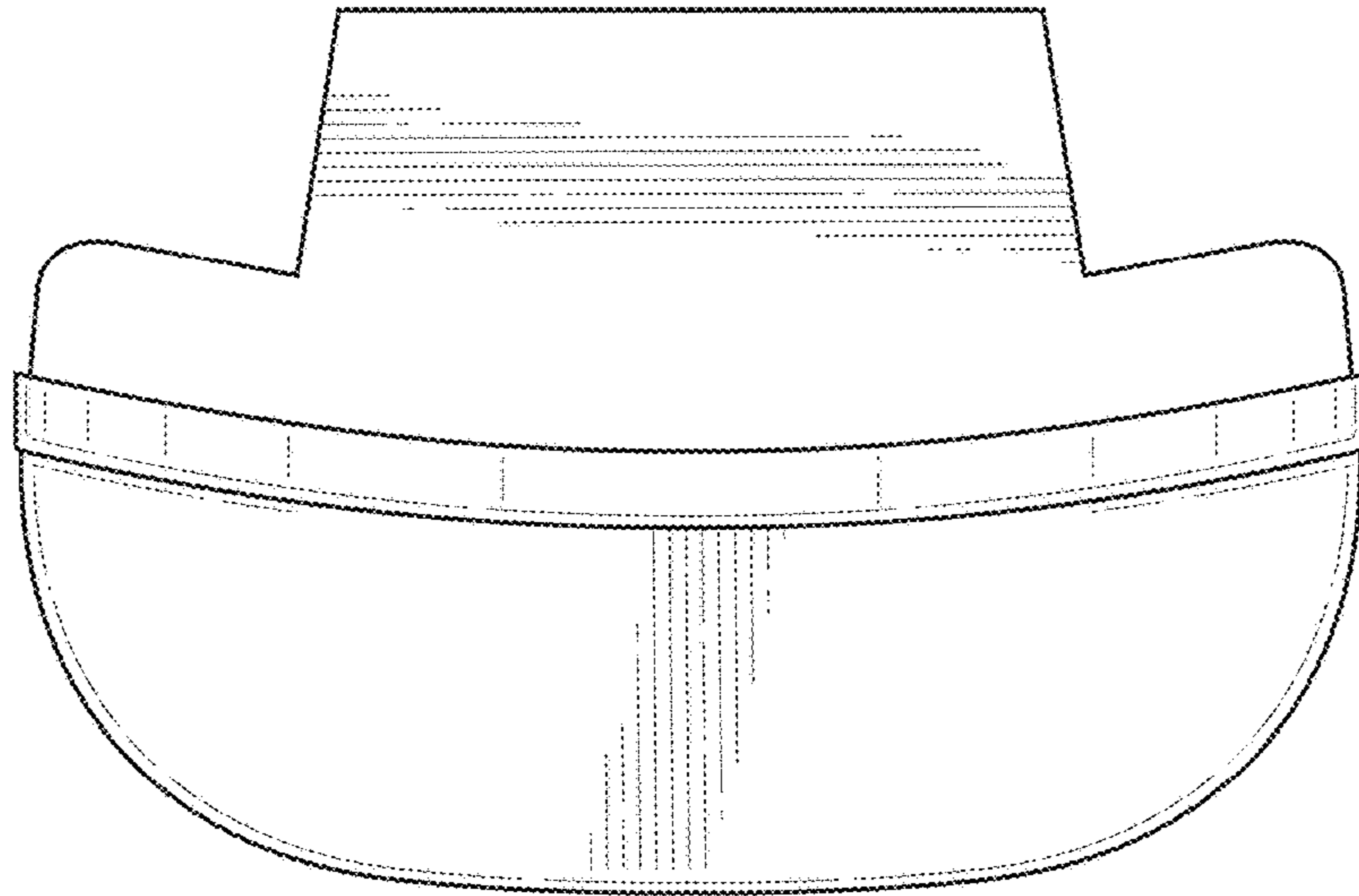


FIG. 7