



US00D863448S

(12) **United States Design Patent** (10) **Patent No.:** **US D863,448 S**
Ehara et al. (45) **Date of Patent:** **** Oct. 15, 2019**

(54) **CONTROLLER FOR COMPUTER**

- (71) Applicant: **NINTENDO CO., LTD.**, Kyoto (JP)
(72) Inventors: **Yui Ehara**, Kyoto (JP); **Yuko Zenri**, Kyoto (JP); **Junichiro Miyatake**, Kyoto (JP); **Tetsuya Akama**, Kyoto (JP); **Hitoshi Tsuchiya**, Kyoto (JP)
(73) Assignee: **Nintendo Co., Ltd.**, Kyoto (JP)
(**) Term: **15 Years**
(21) Appl. No.: **29/646,035**
(22) Filed: **May 1, 2018**

Related U.S. Application Data

- (62) Division of application No. 29/595,220, filed on Feb. 27, 2017, now Pat. No. Des. 819,642.

(30) **Foreign Application Priority Data**

- Aug. 30, 2016 (JP) 2016-018391
Aug. 30, 2016 (JP) 2016-018392
(Continued)

- (51) **LOC (12) Cl.** **21-01**

- (52) **U.S. Cl.**
USPC **D21/333**

- (58) **Field of Classification Search**
USPC D21/324, 328, 329, 332, 333, 399-402,
D21/477, 566, 694; D14/218, 400, 401,
(Continued)

(56) **References Cited**

U.S. PATENT DOCUMENTS

- 5,207,426 A * 5/1993 Inoue A63F 13/06
345/184
D338,242 S * 8/1993 Cordell D14/401
(Continued)

OTHER PUBLICATIONS

“Nintendo controller demo”, posted Jan. 12, 2017 [online], [retrieved Mar. 13, 2019]. Retrieved from internet, https://www.youtube.com/watch?v=n7FBy_f6mTk.*

(Continued)

Primary Examiner — Sandra S Snapp

Assistant Examiner — Mehri F Bajoul

(74) *Attorney, Agent, or Firm* — Nixon & Vanderhye PC

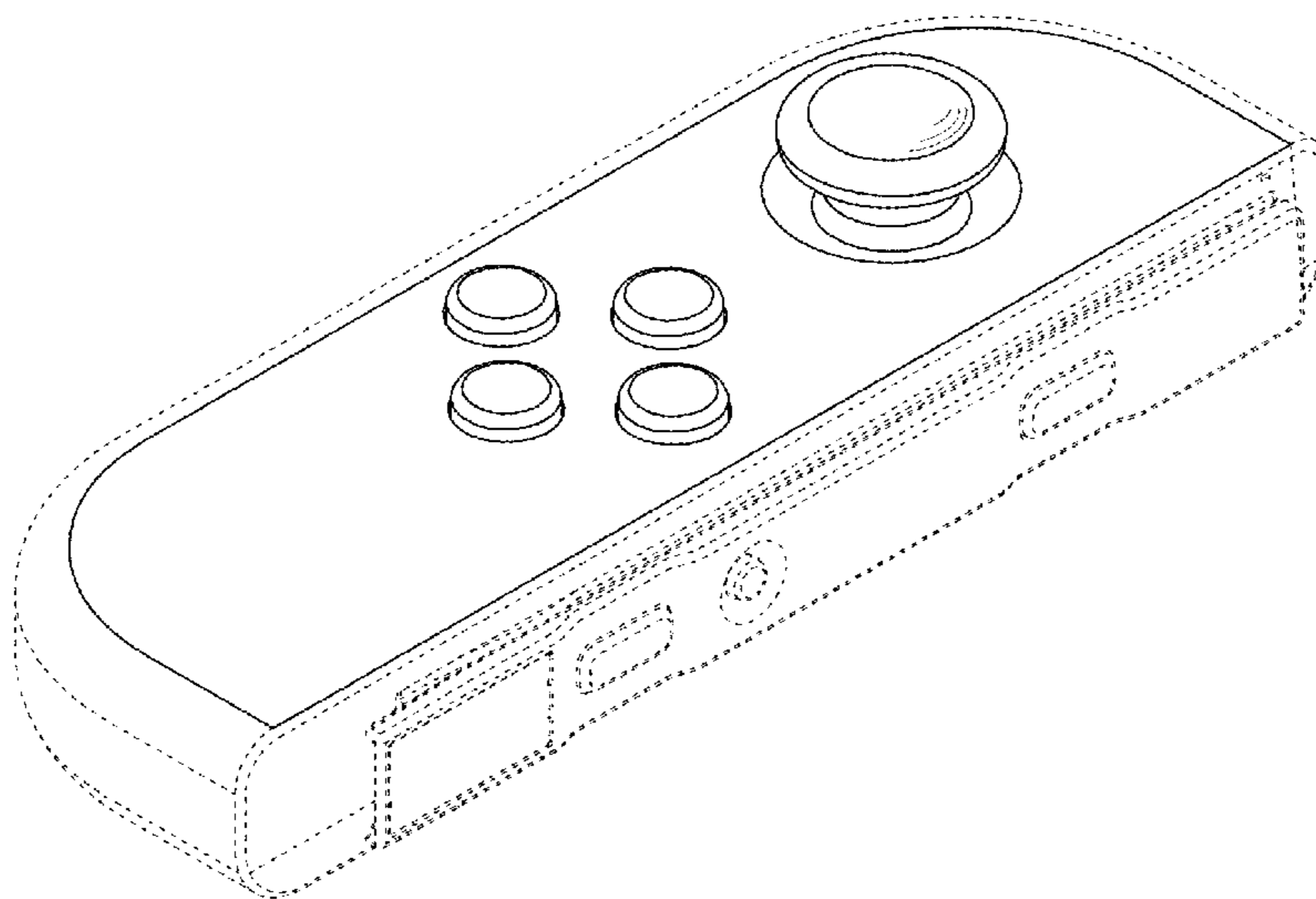
(57) **CLAIM**

The ornamental design for a controller for computer, as shown and described.

DESCRIPTION

FIG. 1 is a front side perspective view of a first embodiment of a controller for computer showing our new design; FIG. 2 is a back side perspective view thereof; FIG. 3 is a front view thereof; FIG. 4 is a back view thereof; FIG. 5 is a top view thereof; FIG. 6 is a bottom view thereof; FIG. 7 is a right view thereof; FIG. 8 is a left view thereof; FIG. 9 is a front side perspective view of a second embodiment of a controller for computer showing our new design; FIG. 10 is a back side perspective view thereof; FIG. 11 is a front view thereof; FIG. 12 is a back view thereof; FIG. 13 is a top view thereof; FIG. 14 is a bottom view thereof; FIG. 15 is a right view thereof; and, FIG. 16 is a left view thereof. The broken lines shown in the drawings depict portions of a controller for a computer and form no part of the claimed design.

1 Claim, 16 Drawing Sheets



(30) Foreign Application Priority Data

Aug. 30, 2016	(JP)	2016-018393
Aug. 30, 2016	(JP)	2016-018394
Aug. 30, 2016	(JP)	2016-018395
Aug. 30, 2016	(JP)	2016-018396
Aug. 30, 2016	(JP)	2016-018397
Aug. 30, 2016	(JP)	2016-018398
Aug. 30, 2016	(JP)	2016-018399
Aug. 30, 2016	(JP)	2016-018400
Aug. 31, 2016	(JP)	2016-018644
Oct. 19, 2016	(JP)	2016-022699

(58) Field of Classification Search

USPC D14/412, 414, 416, 432, 454, 496;
 273/148 B, 449, 441, 442; 463/1, 29-35,
 463/46, 47; 345/156, 161; 434/46
 CPC . A63F 13/00; A63F 13/02; A63F 9/00; G09G
 9/00

See application file for complete search history.

(56) References Cited

U.S. PATENT DOCUMENTS

D350,782 S *	9/1994	Barr	D14/401
D354,316 S *	1/1995	Hiraoka	D14/401
D355,450 S *	2/1995	Ho	D14/401
D360,235 S	7/1995	Emrys-Roberts	
D360,436 S *	7/1995	Chan	D14/401
D362,030 S *	9/1995	Chan	D14/401
5,643,087 A	7/1997	Marcus	
5,645,277 A	7/1997	Cheng	
5,769,719 A	6/1998	Hsu	
5,785,317 A	7/1998	Sasaki	
D487,466 S *	3/2004	Yokota	D14/400
6,956,559 B2 *	10/2005	Hagiwara	A63F 13/06 345/156
D529,493 S *	10/2006	Ogasawara	D14/356
D558,759 S *	1/2008	Tanaka	D14/341
D568,883 S *	5/2008	Ashida	D14/400
D570,349 S *	6/2008	Ashida	D14/400
D614,705 S *	4/2010	Biheller	D14/400

D620,939 S *	8/2010	Suetake	D14/401
D656,554 S *	3/2012	Mar	D21/324
D664,601 S *	7/2012	Sogabe	D14/356
D681,127 S *	4/2013	Ashida	D21/328
D691,663 S *	10/2013	Ashida	D21/332
D692,001 S *	10/2013	Ibuki	D14/401
D697,140 S	1/2014	Baum	
D702,771 S	4/2014	Mar	
D709,882 S *	7/2014	Morris	D14/401
D715,362 S *	10/2014	He	D14/401
D719,614 S	12/2014	Baum	
D723,625 S *	3/2015	Wikel	D21/333
D740,369 S	10/2015	Cho	
D745,607 S *	12/2015	Jones	D14/401
D768,785 S *	10/2016	Kim	D21/333
D769,374 S	10/2016	Won	
D772,988 S *	11/2016	Kujawski	D14/401
D783,722 S *	4/2017	Peng	D14/400
D819,641 S *	6/2018	Tsuchiya	D14/401
D819,642 S *	6/2018	Ehara	D14/401

OTHER PUBLICATIONS

“New game controllers for the Switch console”, posted Jan. 13, 2017 [online], [retrieved Mar. 13, 2019]. Retrieved from internet, <https://www.businessinsider.com/nintendo-switch-joy-con-controllers-innovations-photos-2017-1>.*

“Nintendo Switch Joycon Teardown”, posted Mar. 3, 2017 [online], [retrieved Mar. 13, 2019]. Retrieved from internet, https://www.youtube.com/watch?v=m63sRY_1eOw.*

“Was kann der Nintendo Switch Pro Controller”, posted Mar. 7, 2017 [online], [retrieved Mar. 13, 2019]. Retrieved from internet, https://www.youtube.com/watch?v=jy2qL7_xgBA.*

U.S. Appl. No. 29/595,220, filed Feb. 27, 2017, Ehara et al.

U.S. Appl. No. 29/636,375, filed Feb. 8, 2018, Ehara et al.

U.S. Appl. No. 29/641,433, filed Mar. 22, 2018, Ehara et al.

U.S. Appl. No. 29/646,010, filed May 1, 2018, Ehara et al.

U.S. Appl. No. 29/646,013, filed May 1, 2018, Ehara et al.

U.S. Appl. No. 29/646,019, filed May 1, 2018, Ehara et al.

U.S. Appl. No. 29/646,022, filed May 1, 2018, Ehara et al.

U.S. Appl. No. 29/646,026, filed May 1, 2018, Ehara et al.

U.S. Appl. No. 29/646,038, filed May 1, 2018, Ehara et al.

* cited by examiner

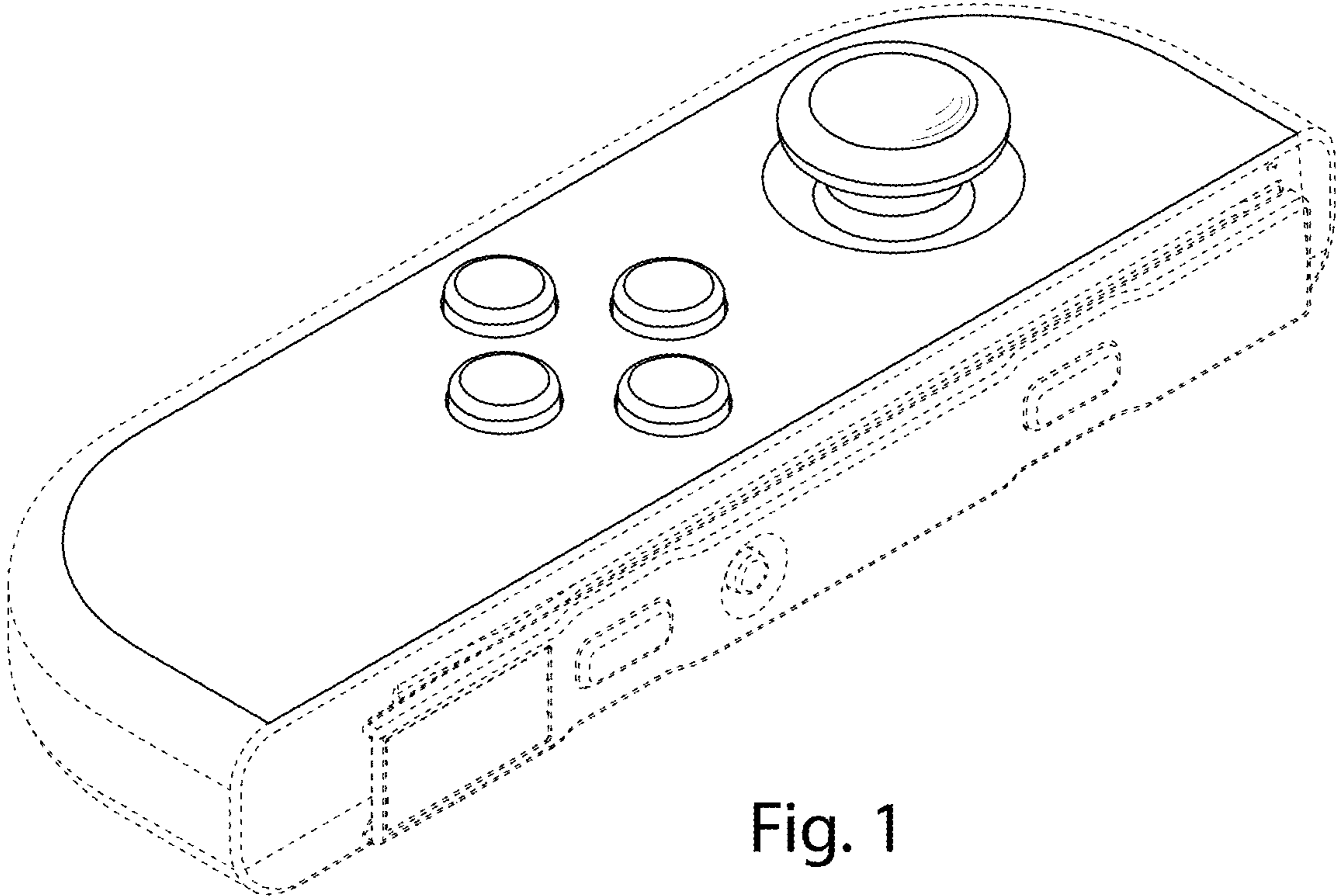


Fig. 1

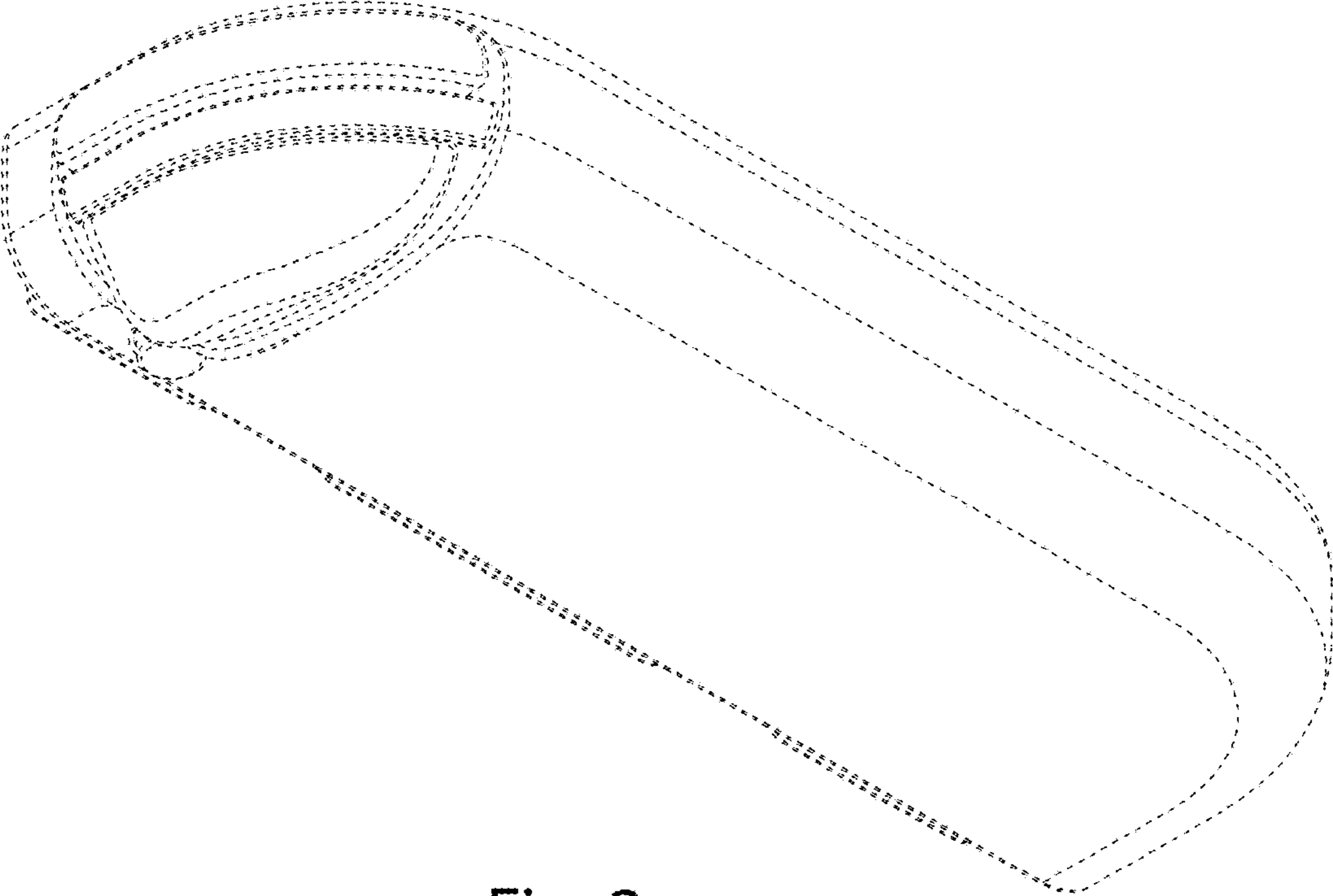


Fig. 2

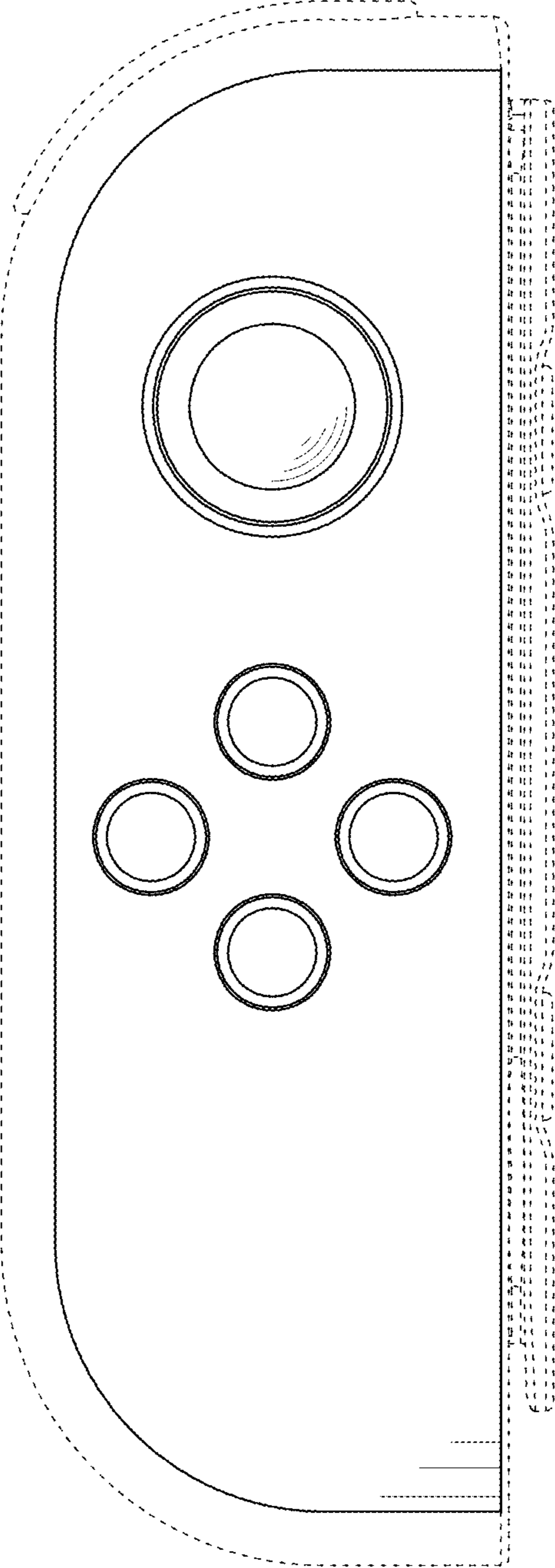


Fig. 3

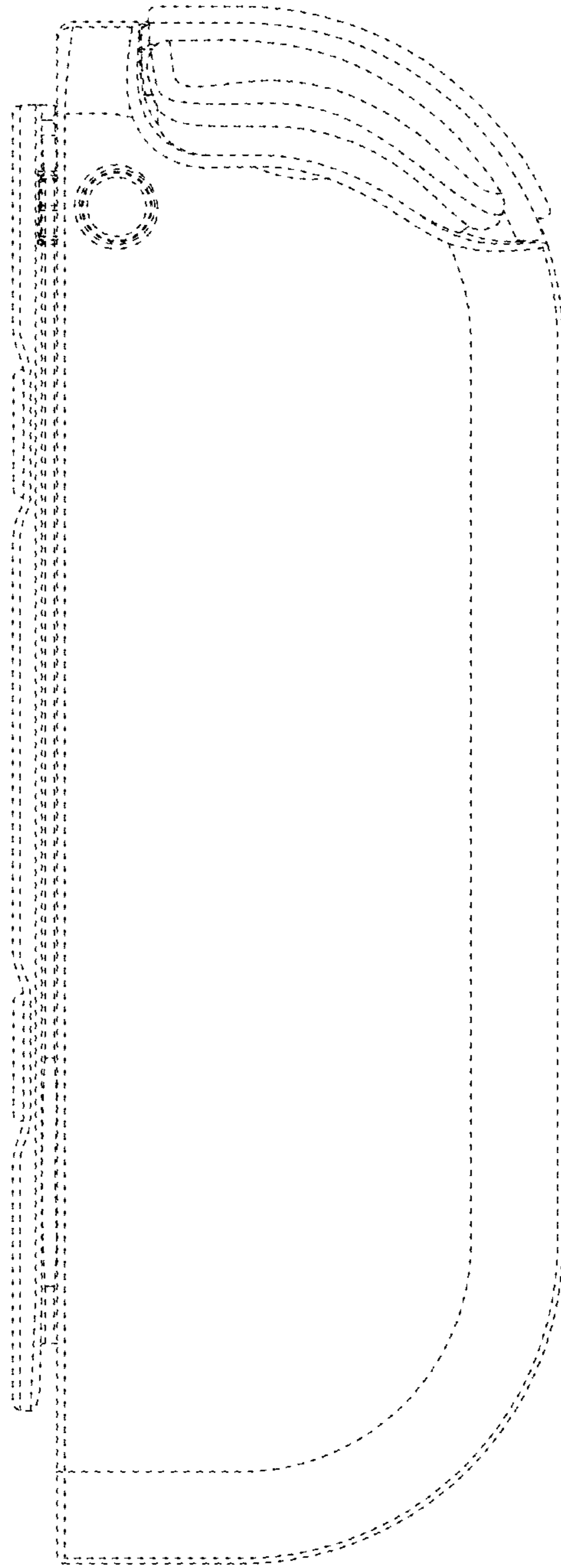


Fig. 4

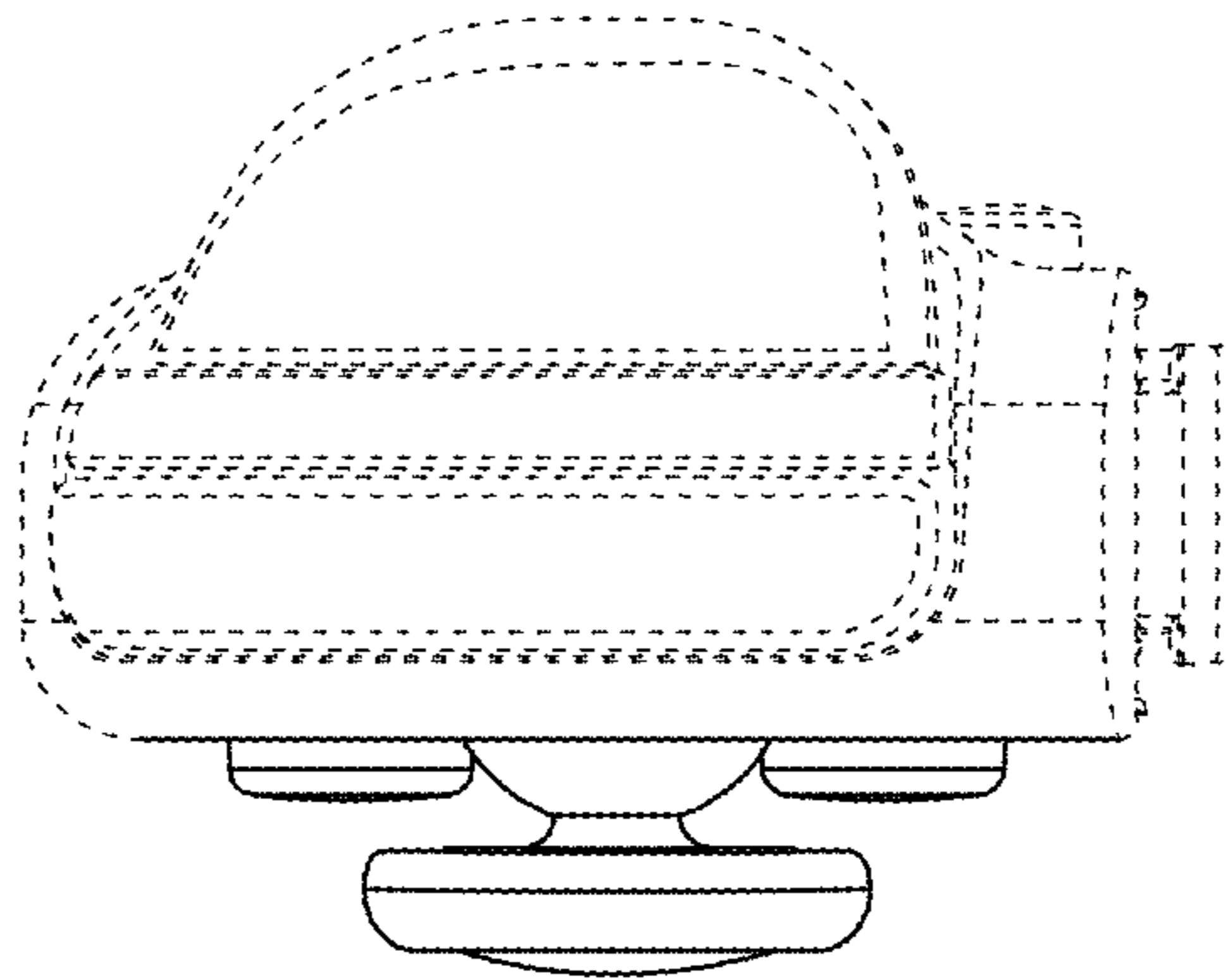


Fig. 5

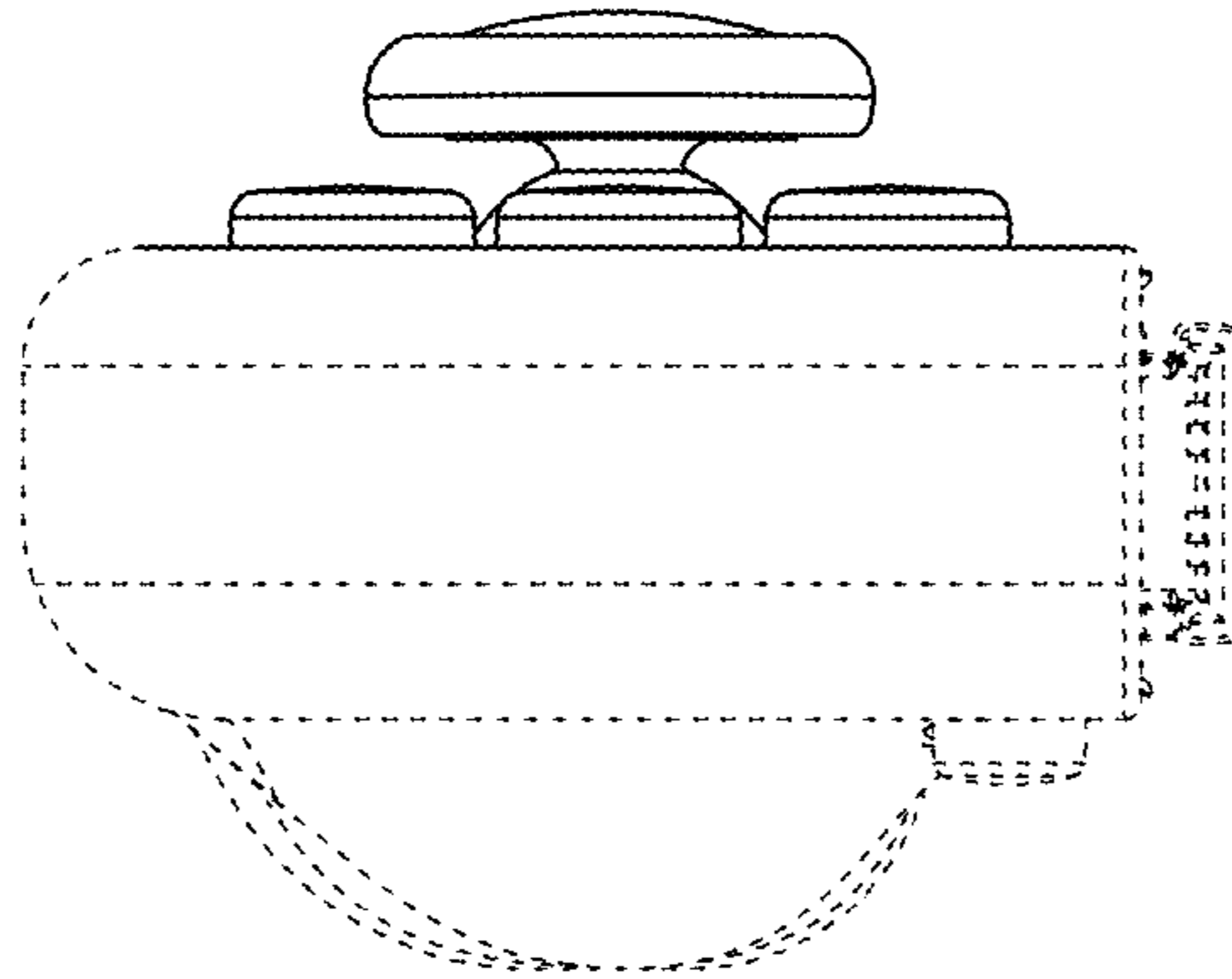


Fig. 6

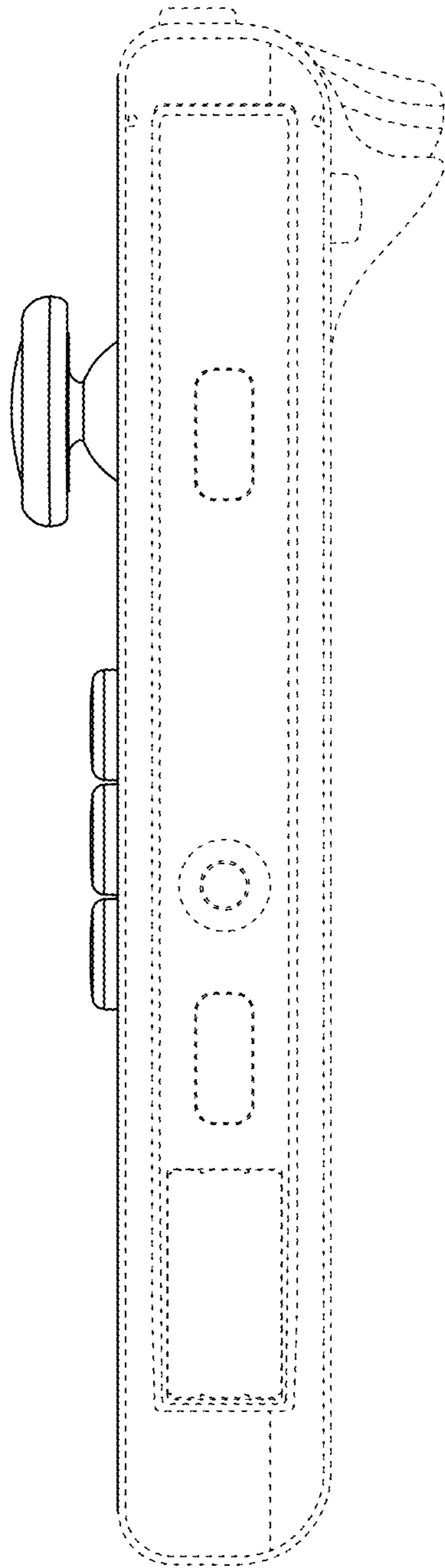


Fig. 7

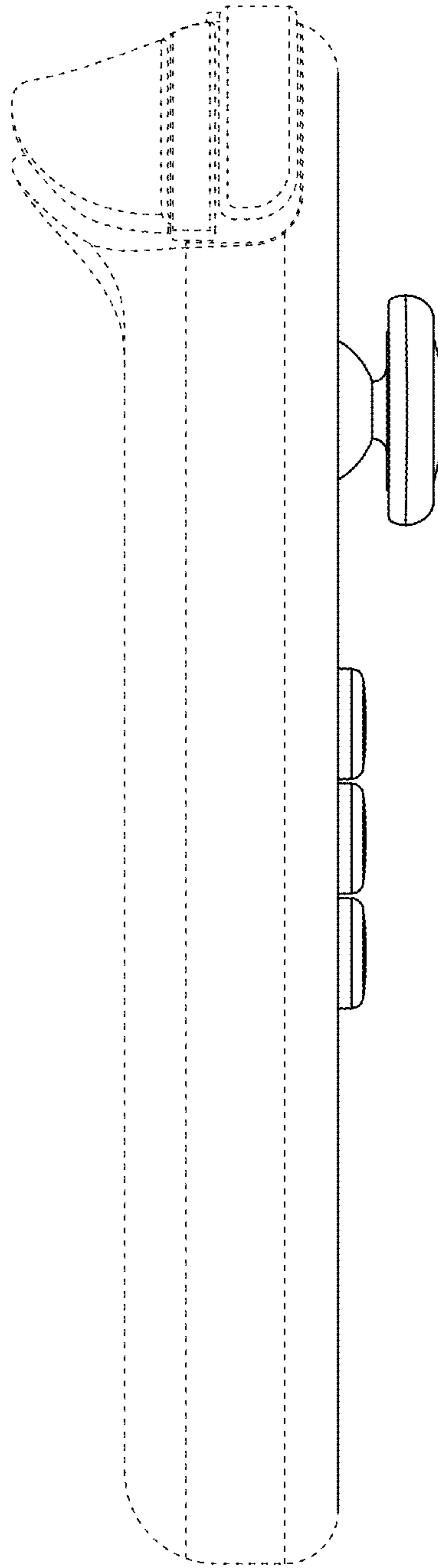


Fig. 8

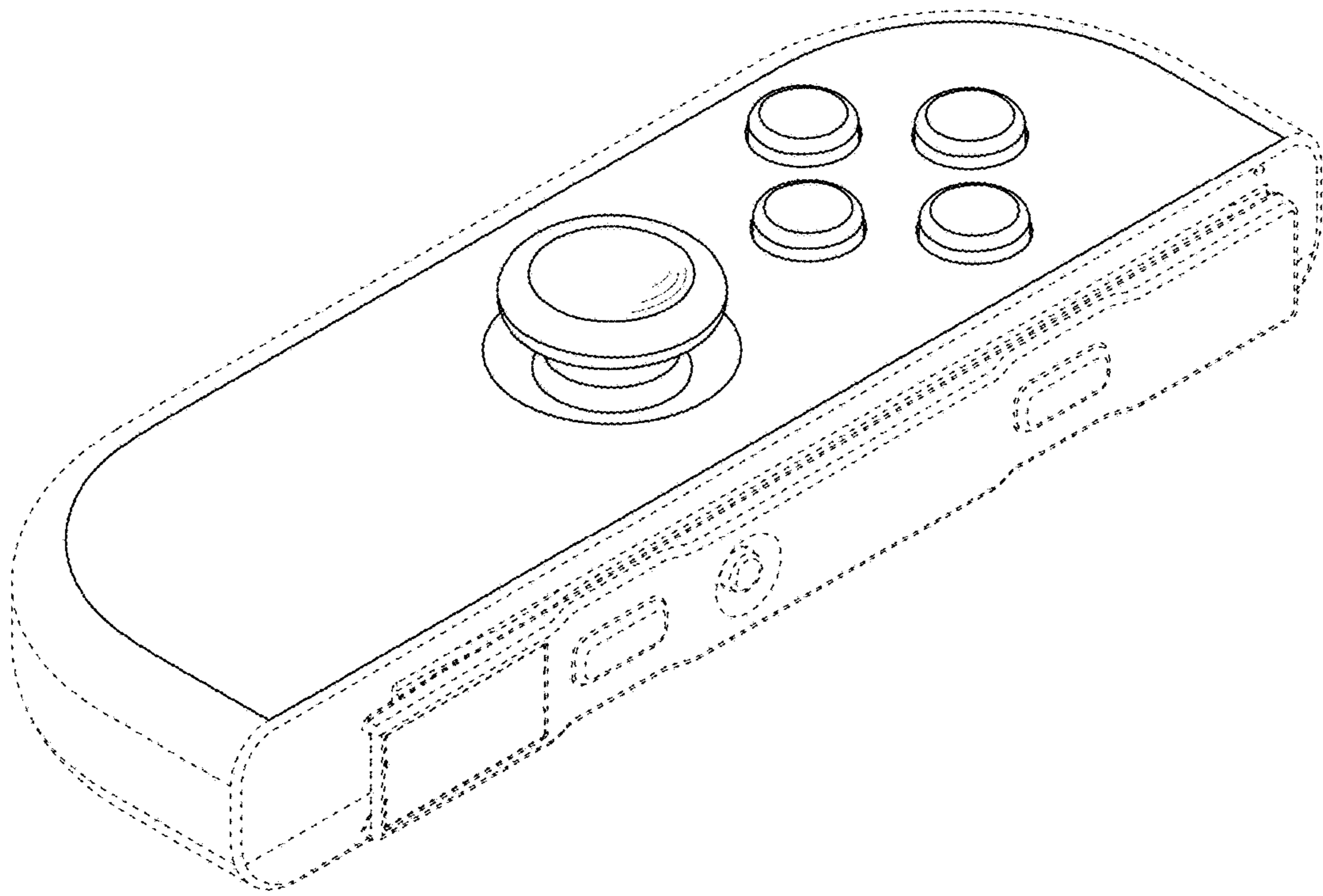


Fig. 9

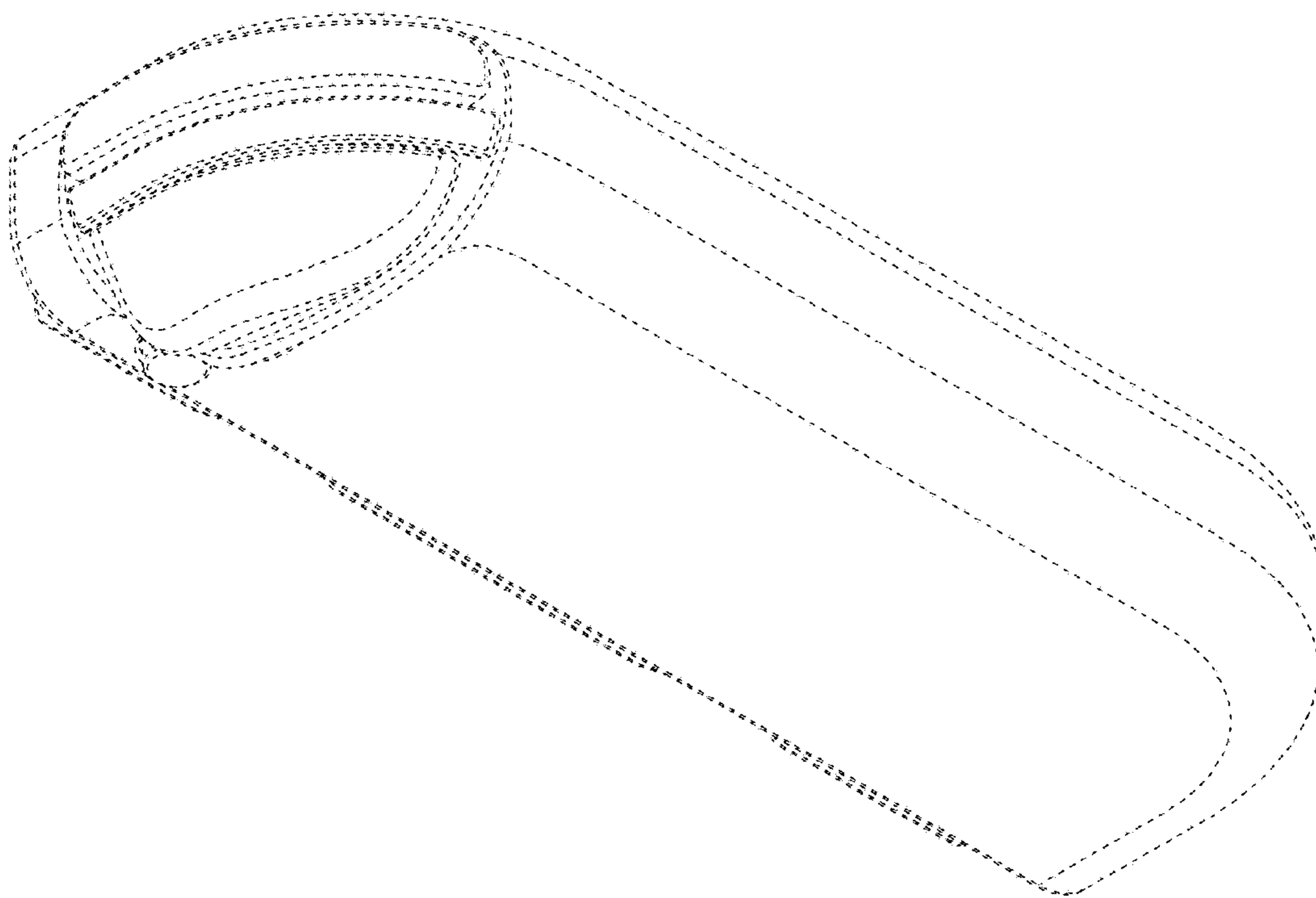


Fig. 10

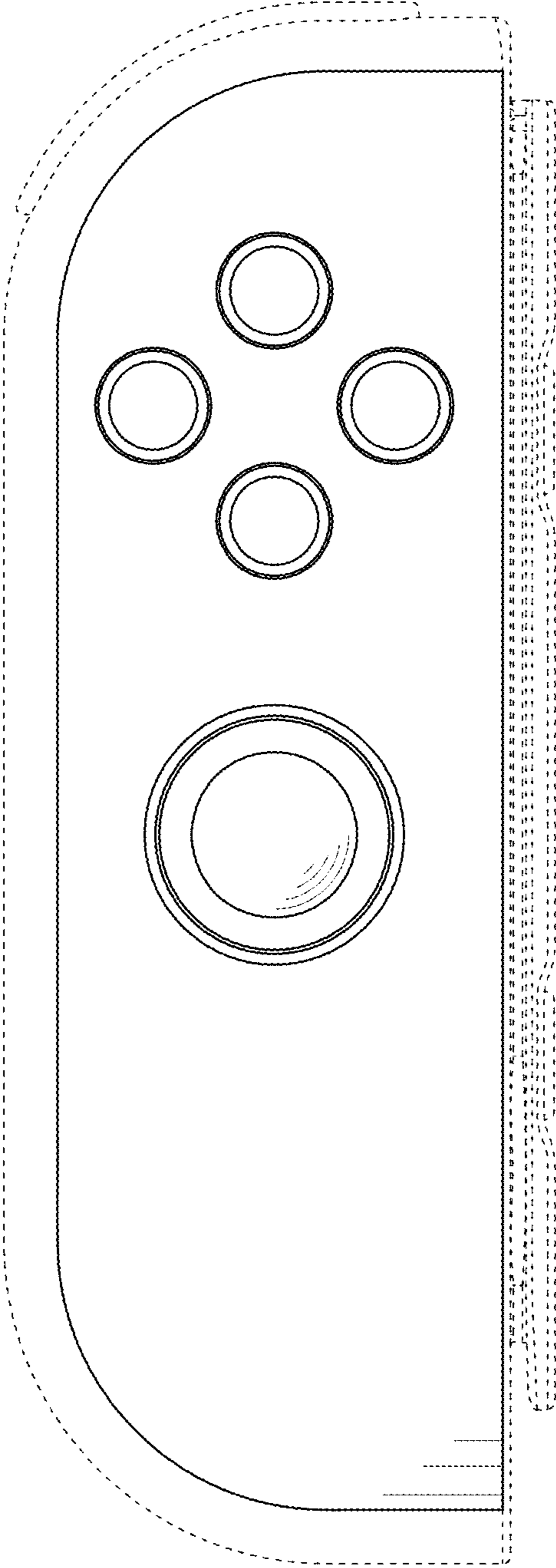


Fig. 11

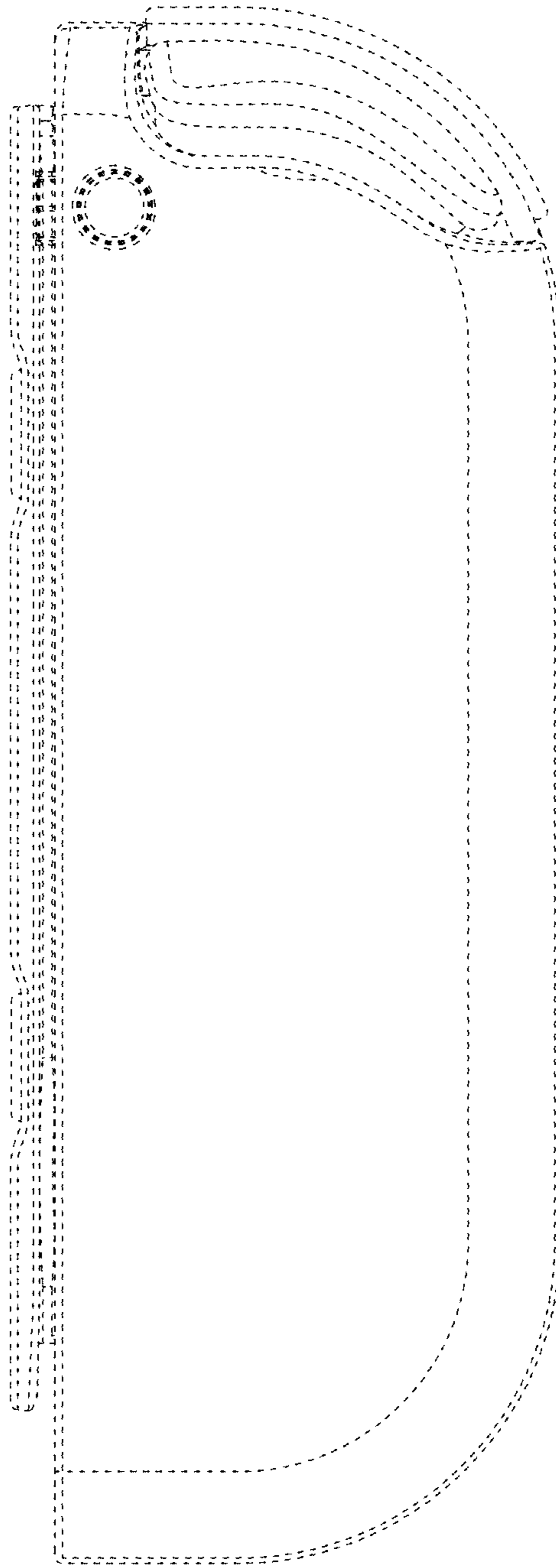


Fig. 12

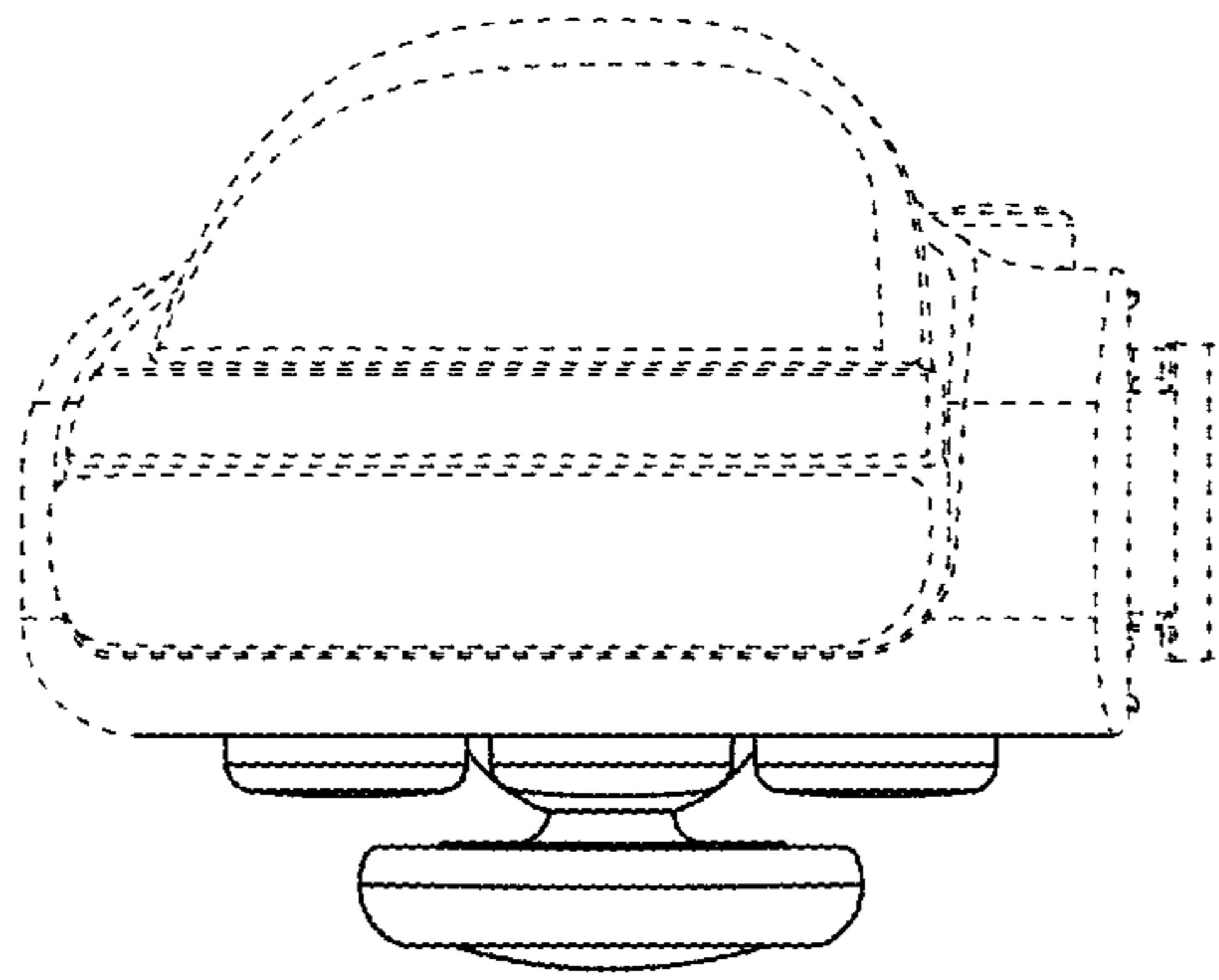


Fig. 13

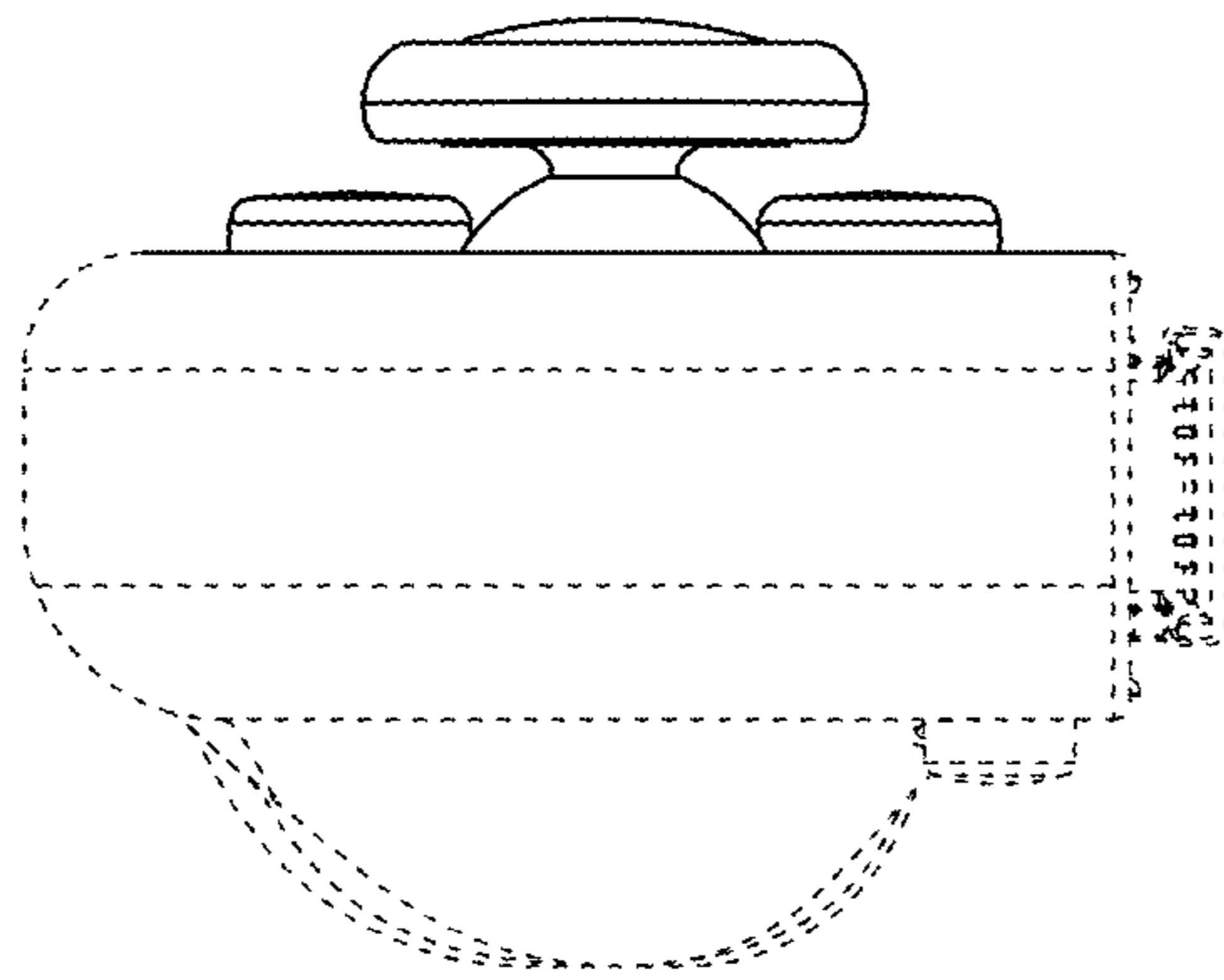


Fig. 14

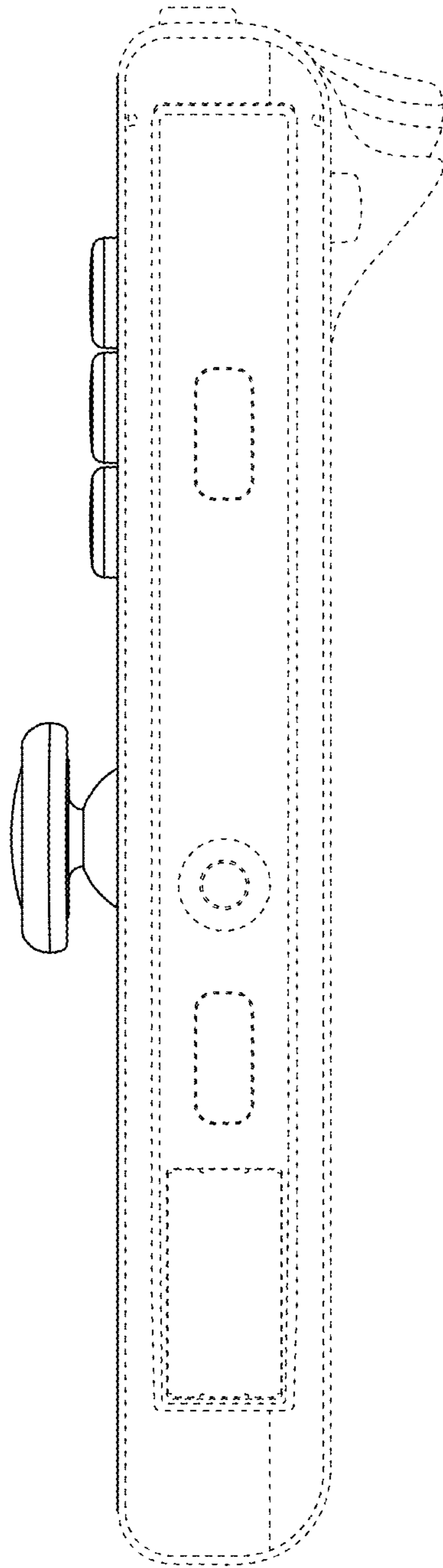


Fig. 15

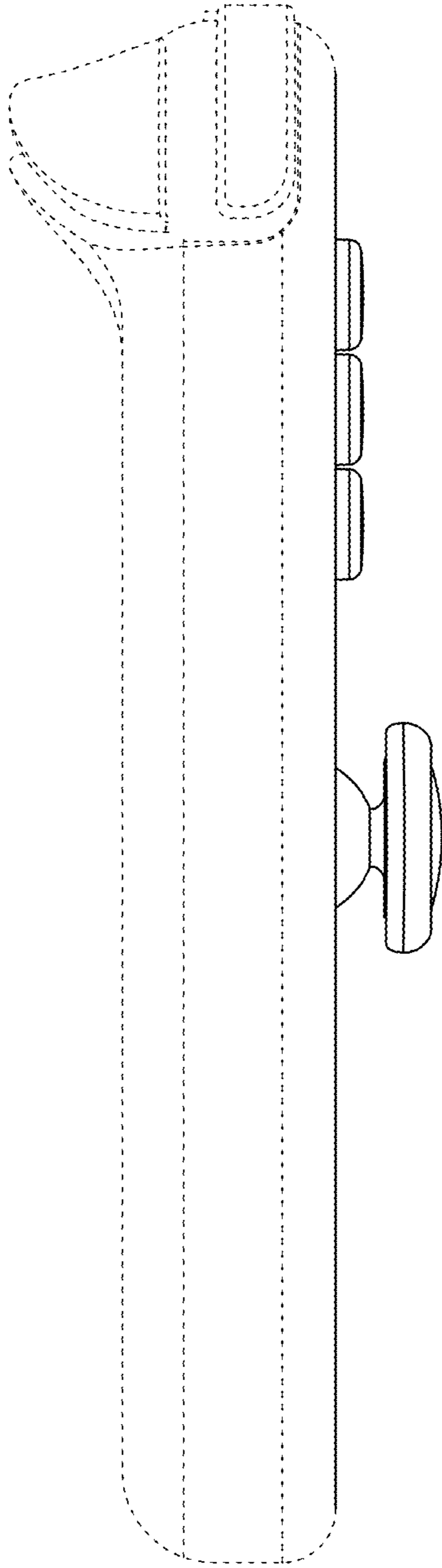


Fig. 16