



US00D863446S

(12) **United States Design Patent** (10) **Patent No.:** **US D863,446 S**  
**Bristol et al.** (45) **Date of Patent:** **\*\* Oct. 15, 2019**

(54) **ELECTRONIC INPUT DEVICE**

9/00; A63F 9/24; A63F 13/98; A63F 9/0291; A63F 9/02; A63F 2300/00

See application file for complete search history.

(71) Applicant: **Facebook Technologies, LLC**, Menlo Park, CA (US)

(56) **References Cited**

(72) Inventors: **Peter Wesley Bristol**, Seattle, WA (US); **Yi-Yaun Chen**, Seattle, WA (US)

U.S. PATENT DOCUMENTS

(73) Assignee: **Facebook Technologies, LLC**, Menlo Park, CA (US)

D350,736	S	*	9/1994	Takahashi	.....	D14/417
D483,308	S	*	12/2003	Hartono	.....	D12/179
D486,144	S	*	2/2004	Esslinger	.....	D14/218
D528,510	S	*	9/2006	Schmieta	.....	D13/168
D607,515	S	*	1/2010	Oikawa	.....	D14/412
D626,517	S	*	11/2010	Yano	.....	D13/168
D638,841	S	*	5/2011	Musick, Jr.	.....	D14/412
D640,258	S	*	6/2011	Hobenshield	.....	D14/412
D716,767	S	*	11/2014	Lee	.....	D14/218
D778,740	S	*	2/2017	Suppipat	.....	D10/49
D799,450	S	*	10/2017	Lee	.....	D14/218
D813,203	S	*	3/2018	Hardi	.....	D14/218
D828,337	S	*	9/2018	Li	.....	D14/218
D840,360	S	*	2/2019	Scott	.....	D13/168
2011/0266231	A1	*	11/2011	Tsunezumi	.....	A63F 13/98 211/26

(\*\*) Term: **15 Years**

(21) Appl. No.: **29/611,369**

(22) Filed: **Jul. 20, 2017**

(51) **LOC (12) Cl.** ..... **21-01**

(52) **U.S. Cl.**  
USPC ..... **D21/333**

(58) **Field of Classification Search**  
USPC ..... D21/324, 332, 333–337, 566, 572–574, D21/328; D14/160, 137, 138, 168, 171, D14/174, 203.1–203.8, 204–206, 217, D14/218, 225, 318, 323, 356, 385, 387, D14/388, 389, 400, 401, 435, 442, 346, D14/454, 443, 449, 450, 471, 474, 482, D14/483, 496, 507, 511; D12/174, 177, D12/218; D13/162, 164, 168, 171, 103, D13/108; D10/49; D18/19; 463/37; 345/156, 169, 173–179, 905; 715/727–729, 864; 710/1, 5, 8  
CPC ..... G06F 1/1666; G06F 1/1628; G06F 17/00; G06F 17/32; G06F 19/00; H04M 1/00; H04M 1/083; H04M 1/72544; H04M 1/80; H04R 1/02; H04R 5/02; H04R 9/06; H04R 7/00; H04R 7/14; H04N 21/00; A63F 13/00; A63F 13/24; A63F

\* cited by examiner

*Primary Examiner* — Sandra S Snapp  
*Assistant Examiner* — Mehri F Bajoul  
(74) *Attorney, Agent, or Firm* — Fenwick & West LLP

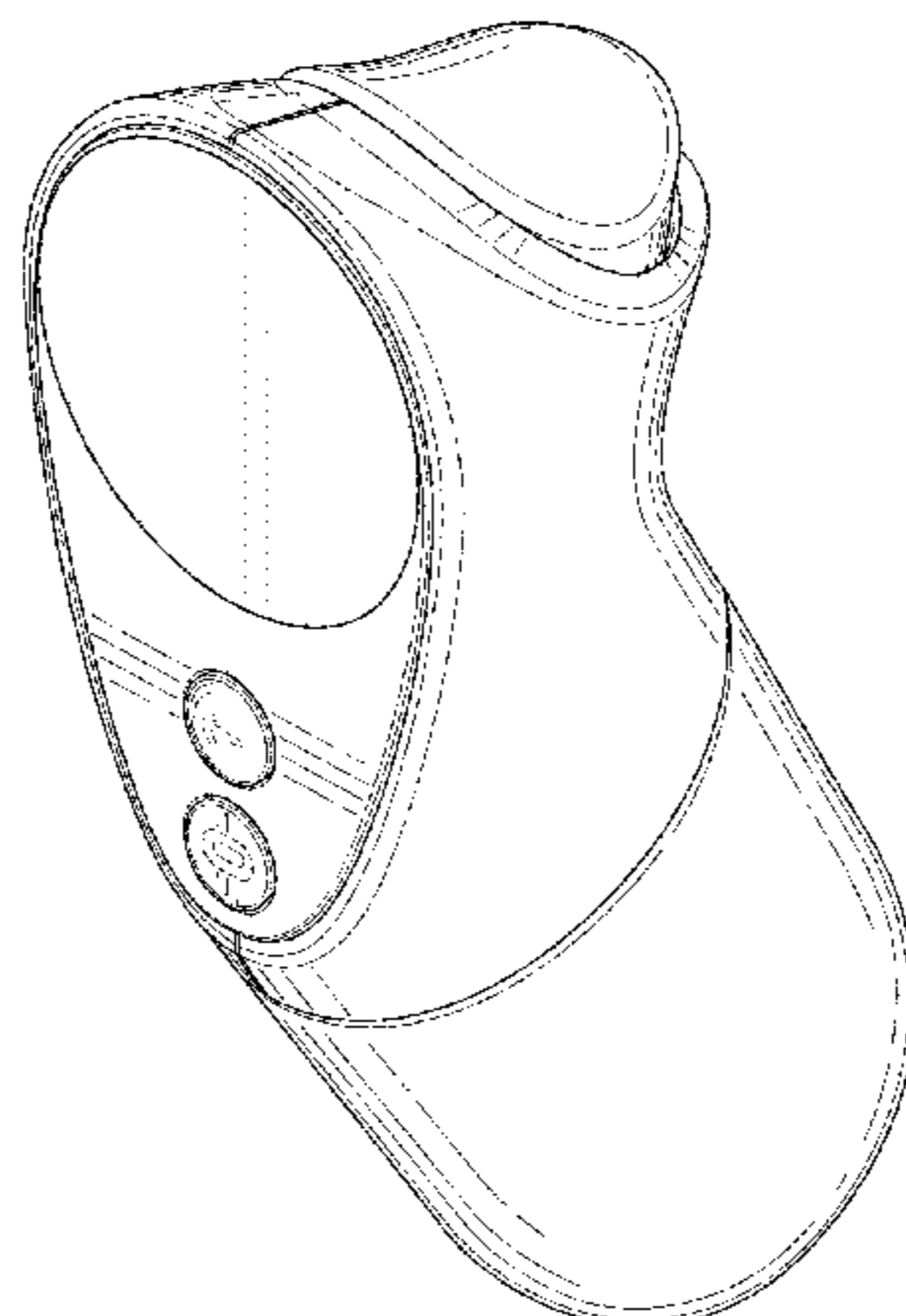
(57) **CLAIM**

The ornamental design for an electronic input device, as shown and described.

**DESCRIPTION**

FIG. 1 is a top and right perspective view of an electronic input device;  
FIG. 2 is a front view thereof;  
FIG. 3 is a rear view thereof;  
FIG. 4 is a left view thereof;  
FIG. 5 is a right view thereof;  
FIG. 6 is a top view thereof; and,  
FIG. 7 is a bottom view thereof.

(Continued)



The broken lines in the drawings depict portions of the electronic input device that form no part of the claimed design.

**1 Claim, 7 Drawing Sheets**

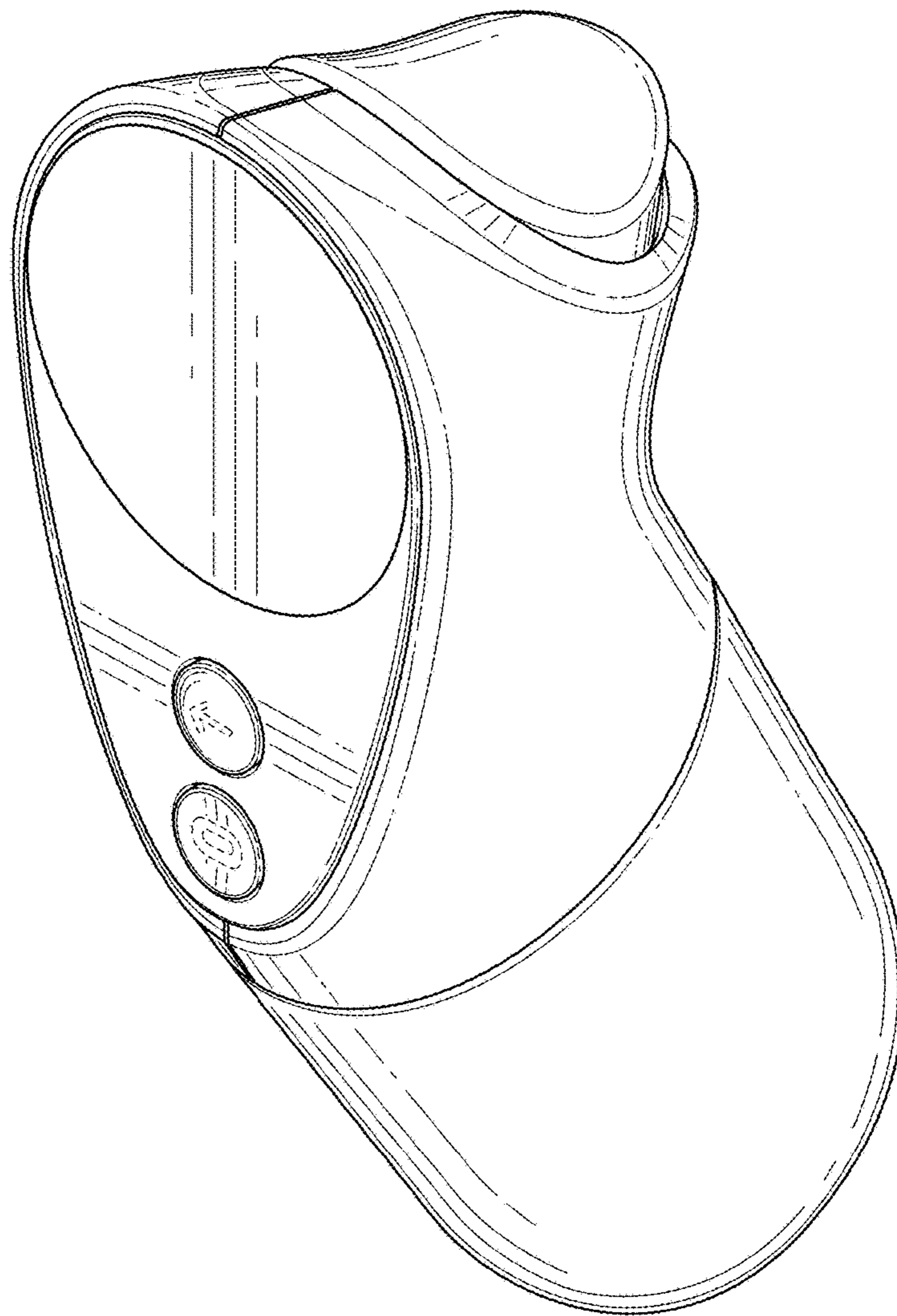


FIG. 1

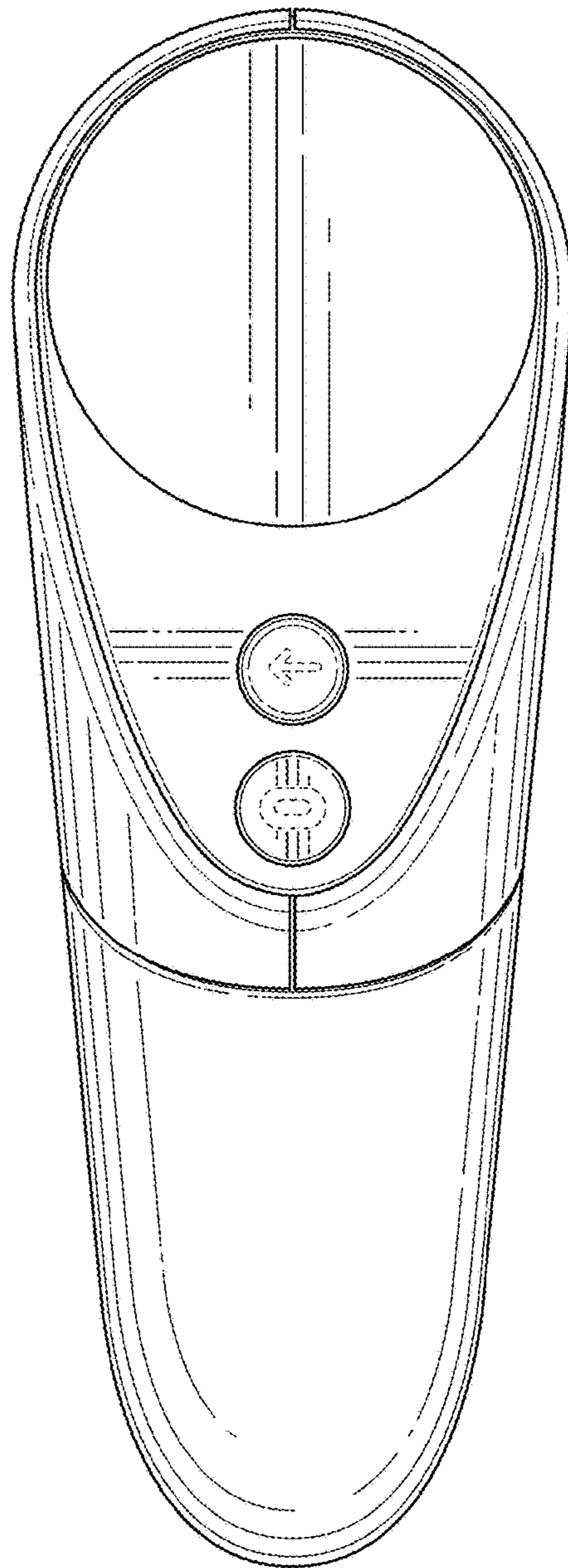


FIG. 2

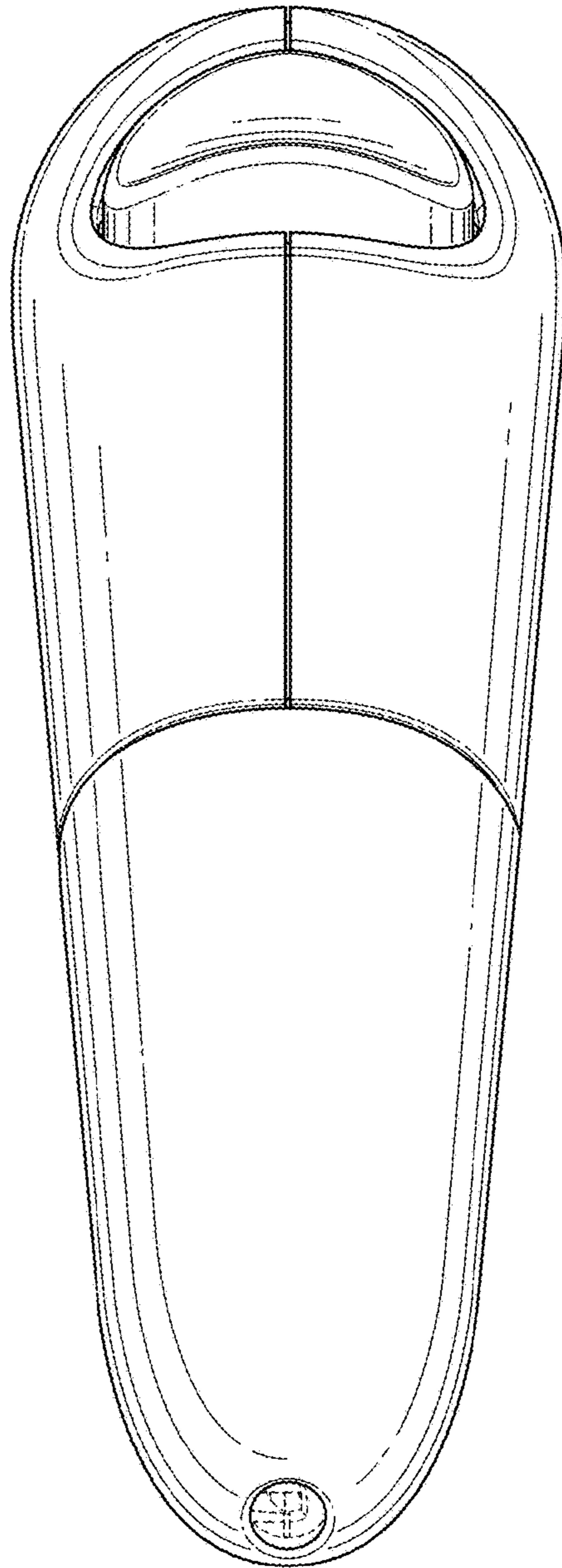


FIG. 3

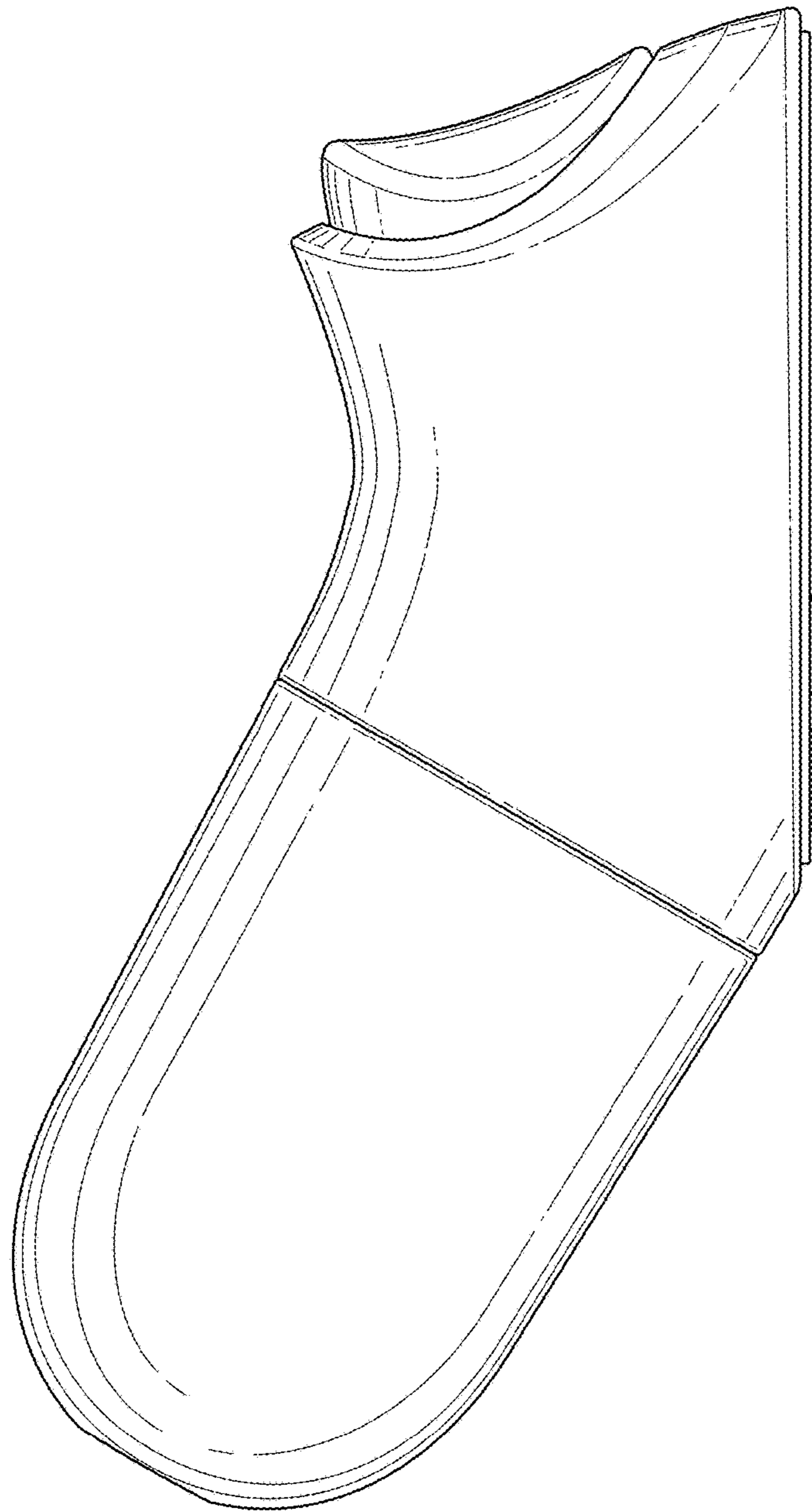


FIG. 4

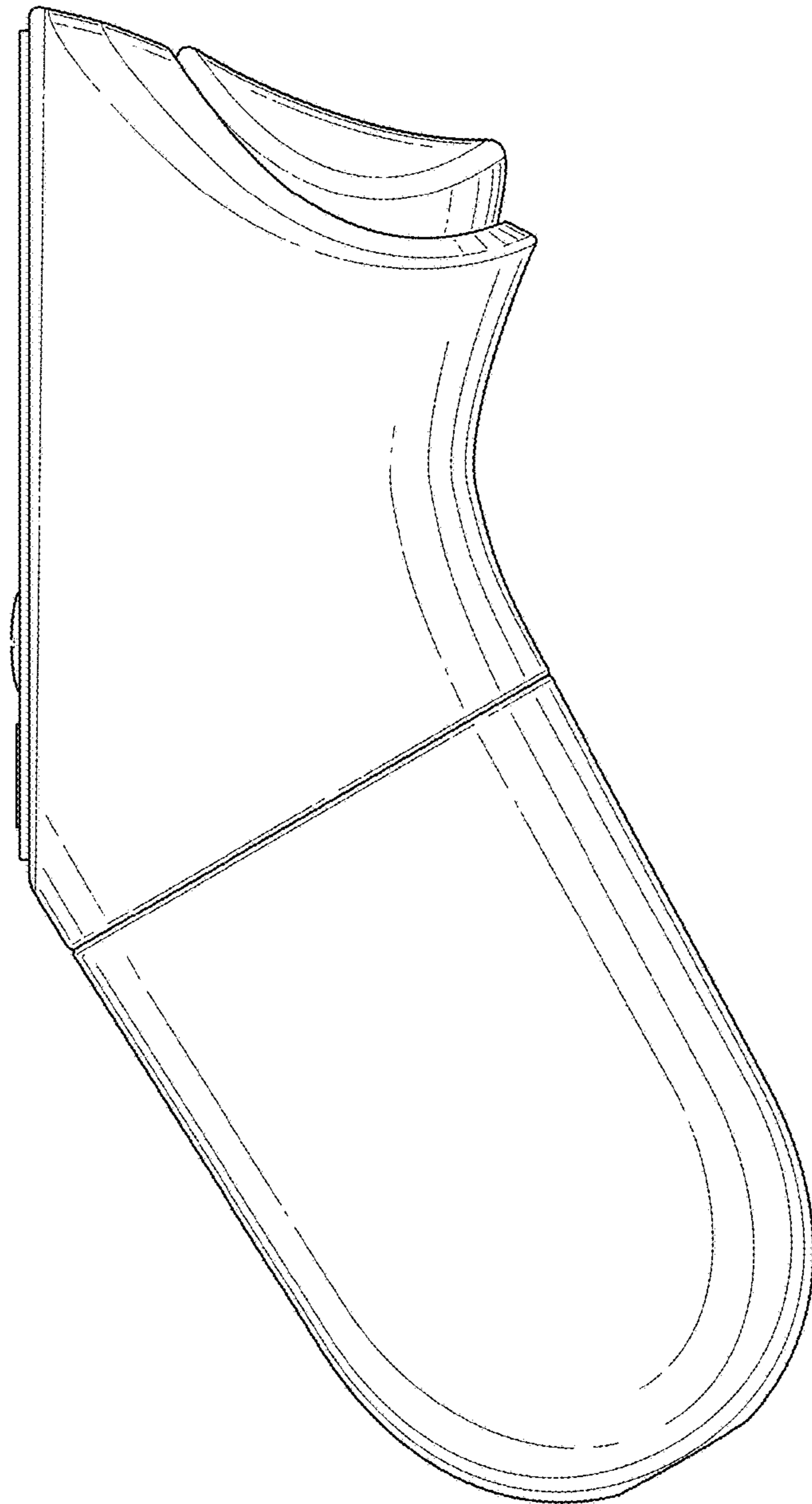


FIG. 5

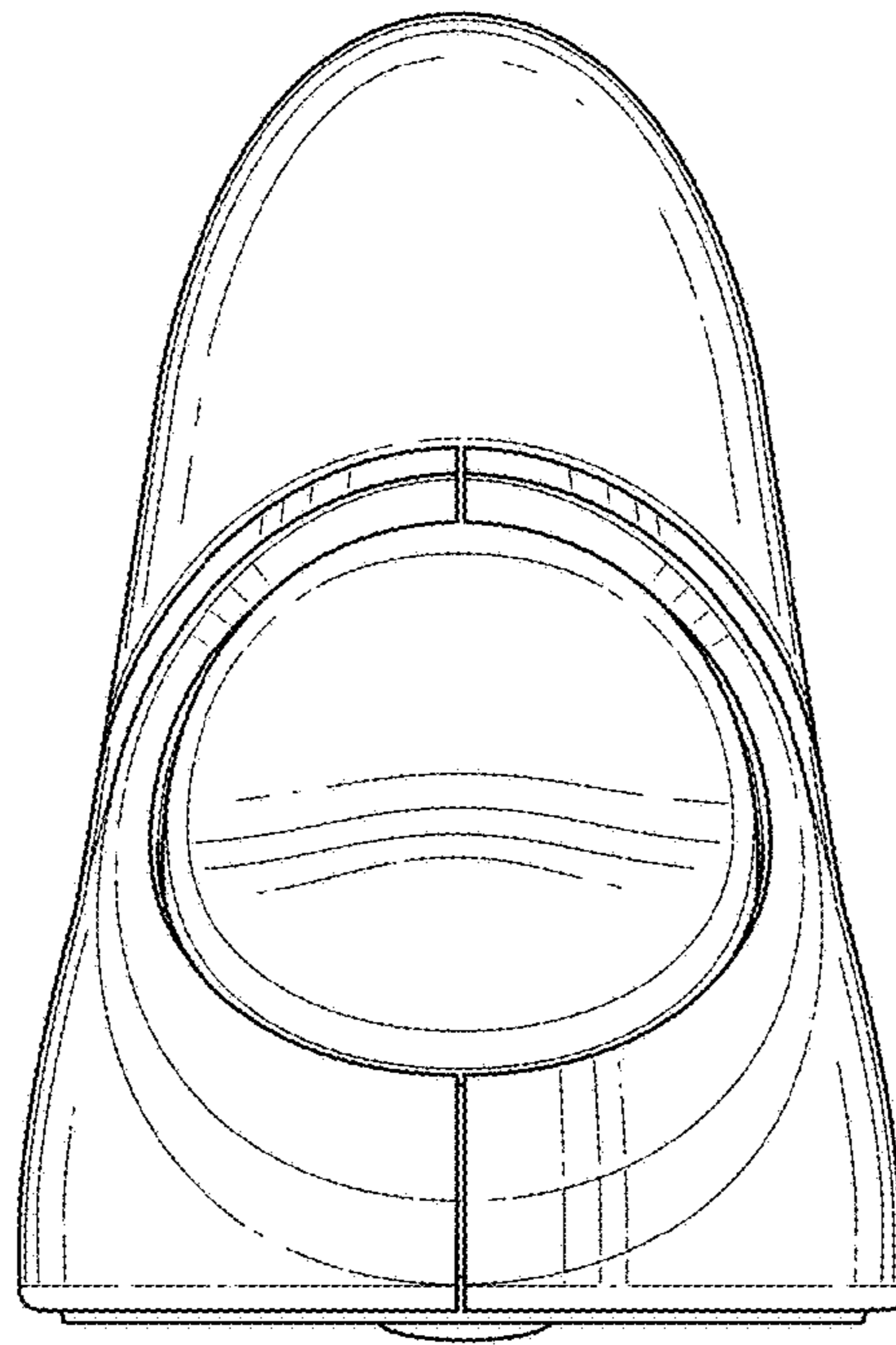


FIG. 6



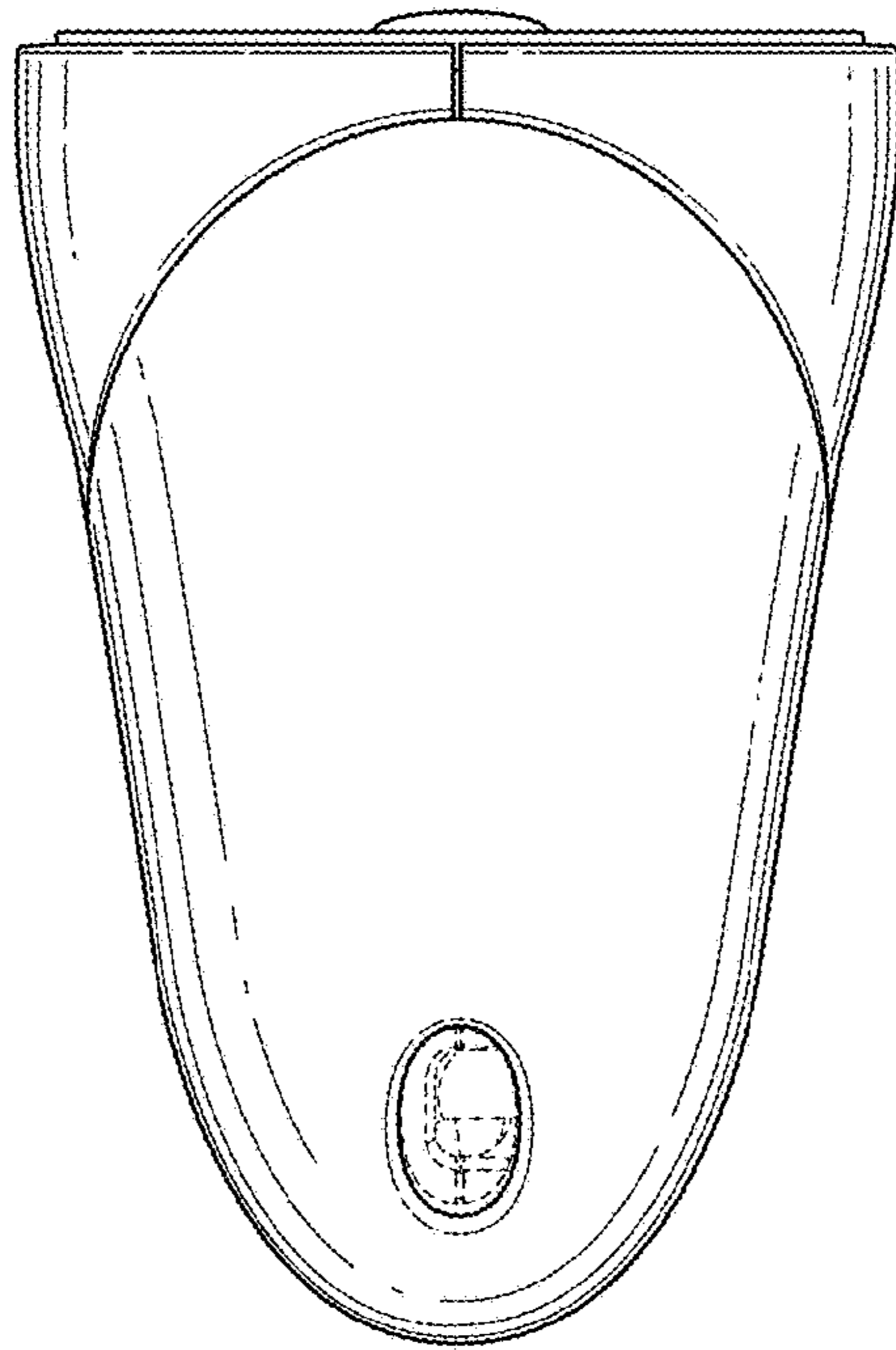


FIG. 7