



US00D863436S

(12) **United States Design Patent**
Thies

(10) **Patent No.:** **US D863,436 S**
(45) **Date of Patent:** **** Oct. 15, 2019**

- (54) **PENCIL**
- (71) Applicant: **STAEDTLER Mars GmbH & Co. KG, Nürnberg (DE)**
- (72) Inventor: **Andreas Thies, Effeltrich (DE)**
- (73) Assignee: **STAEDTLER MARS GMBH & CO. KG, Nürnberg (DE)**
- (**) Term: **15 Years**
- (21) Appl. No.: **29/639,412**
- (22) Filed: **Mar. 6, 2018**
- (30) **Foreign Application Priority Data**

2,496,086	A	*	1/1950	Fitzgerald	B43K 23/004
						15/428
D505,452	S	*	5/2005	Crawford	D19/123
D620,979	S	*	8/2010	Renner	D19/186
D637,230	S	*	5/2011	Renner	D19/186
D640,740	S	*	6/2011	Renner	D19/186
D640,741	S	*	6/2011	Renner	D19/186
D641,043	S	*	7/2011	Renner	D19/186
D645,900	S	*	9/2011	Renner	D19/186
D646,323	S	*	10/2011	Renner	D19/186
D671,168	S	*	11/2012	Renner	D19/186
D672,811	S	*	12/2012	Li	D19/176
D674,017	S	*	1/2013	Renner	D19/186
D712,481	S	*	9/2014	Okuku Lira-Nunez	D19/185
D746,375	S	*	12/2015	Ossola	D19/177
D768,133	S	*	10/2016	Reed	D14/411
D781,293	S	*	3/2017	Mitchell	D14/411
D811,401	S	*	2/2018	Lehman	D14/411
D826,230	S	*	8/2018	Peterson	D14/411

Sep. 8, 2017 (EM) 004 246 866-0001

- (51) **LOC (12) Cl.** **19-06**
- (52) **U.S. Cl.**
USPC **D19/186**

- (58) **Field of Classification Search**
USPC D19/115-204; D14/411
CPC . B43K 5/005; B43K 7/12; B43K 8/04; B43K 8/06; B43K 19/00; B43K 19/02; B43K 19/14; B43K 21/006; B43K 21/06
See application file for complete search history.

(56) **References Cited**

U.S. PATENT DOCUMENTS

420,793	A	*	2/1890	Higinbotonn	B43K 23/012
						401/8
D97,555	S	*	11/1935	Koerper	D19/186
2,171,188	A	*	8/1939	Morris	B43K 29/12
						24/10 R
D129,159	S	*	8/1941	Dreyfuss	D19/185

* cited by examiner

Primary Examiner — Elizabeth A. Albert

(74) *Attorney, Agent, or Firm* — Lucas & Mercanti, LLP; Klaus P. Stoffel

(57) **CLAIM**

The ornamental design for a pencil, as shown and described.

DESCRIPTION

FIG. 1 is a front perspective view of the pencil of the present invention;

FIG. 2 is a front view thereof;

FIG. 3 is a rear view thereof;

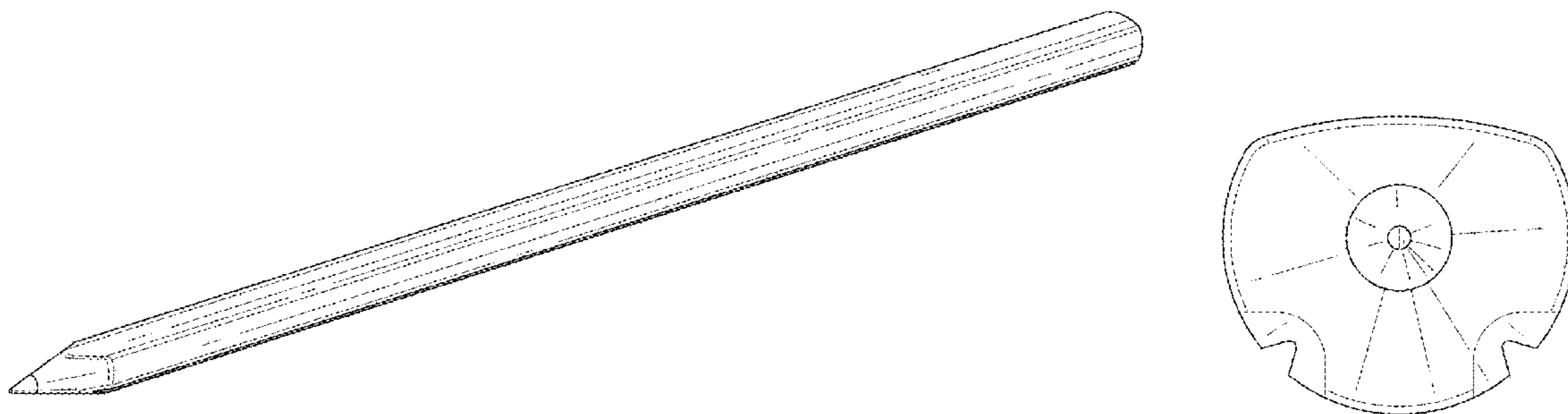
FIG. 4 is a side view thereof;

FIG. 5 is another side view thereof;

FIG. 6 is a bottom view thereof; and,

FIG. 7 is a top view thereof.

1 Claim, 3 Drawing Sheets



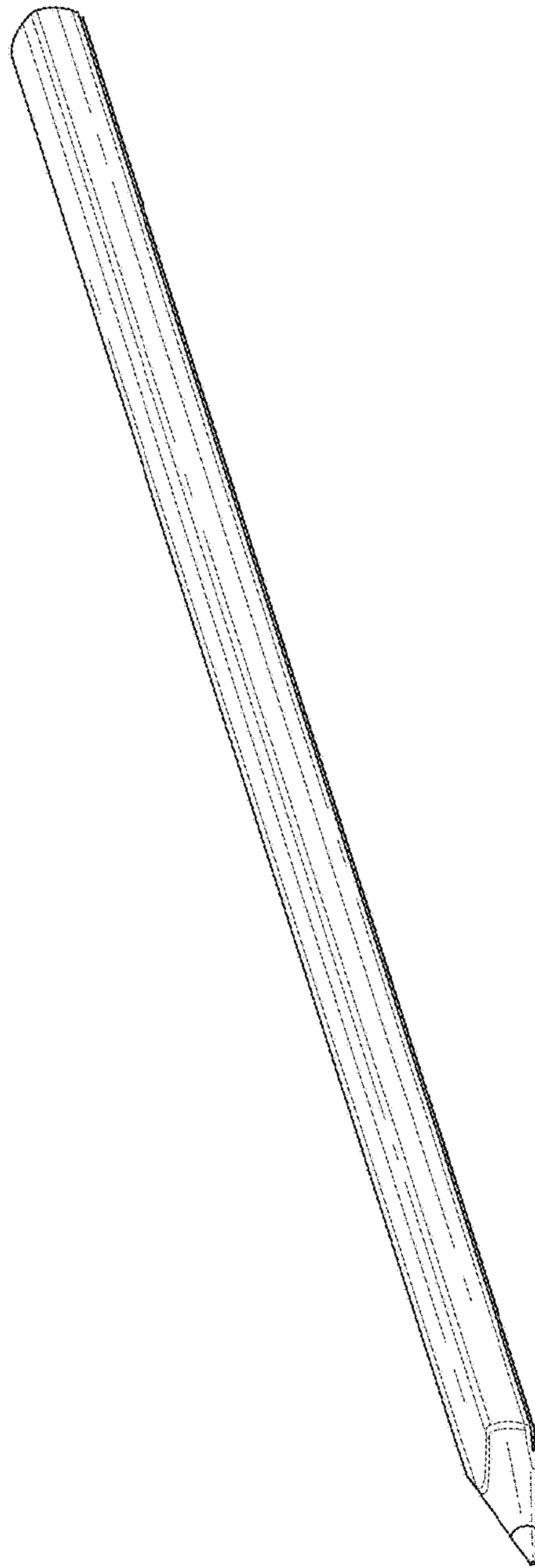


FIG. 1

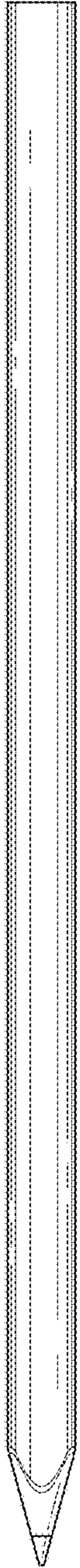


FIG. 2

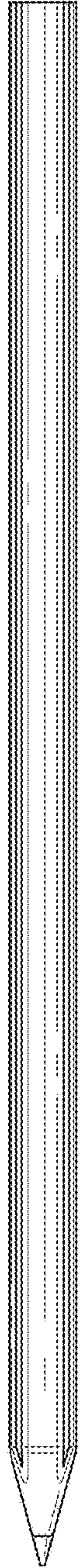


FIG. 3



FIG. 4

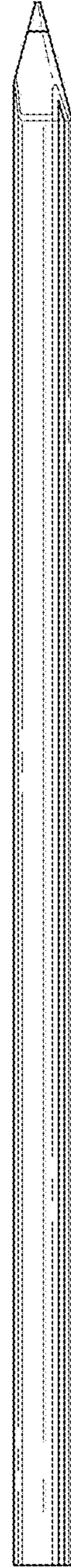


FIG. 5

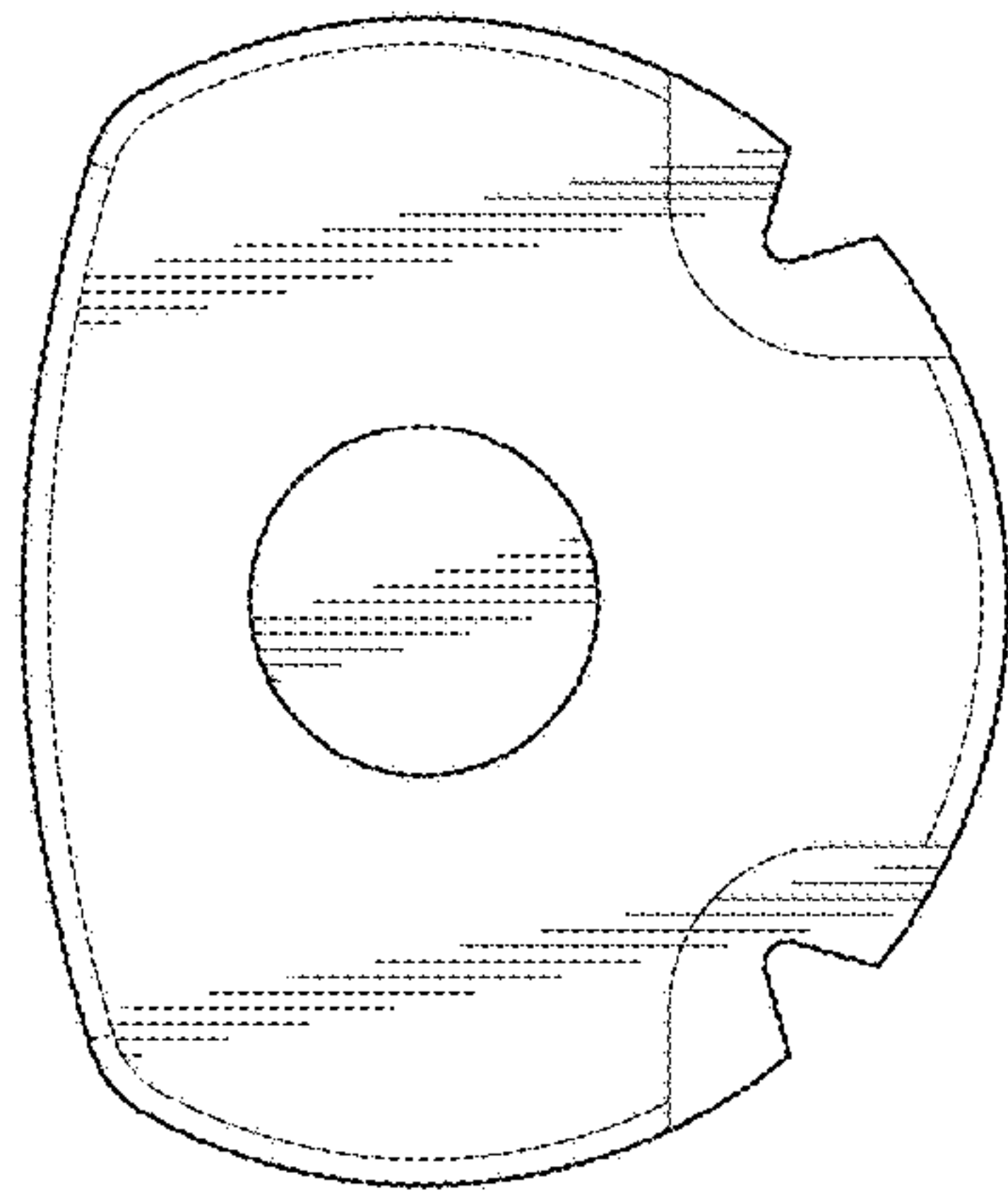


FIG. 7

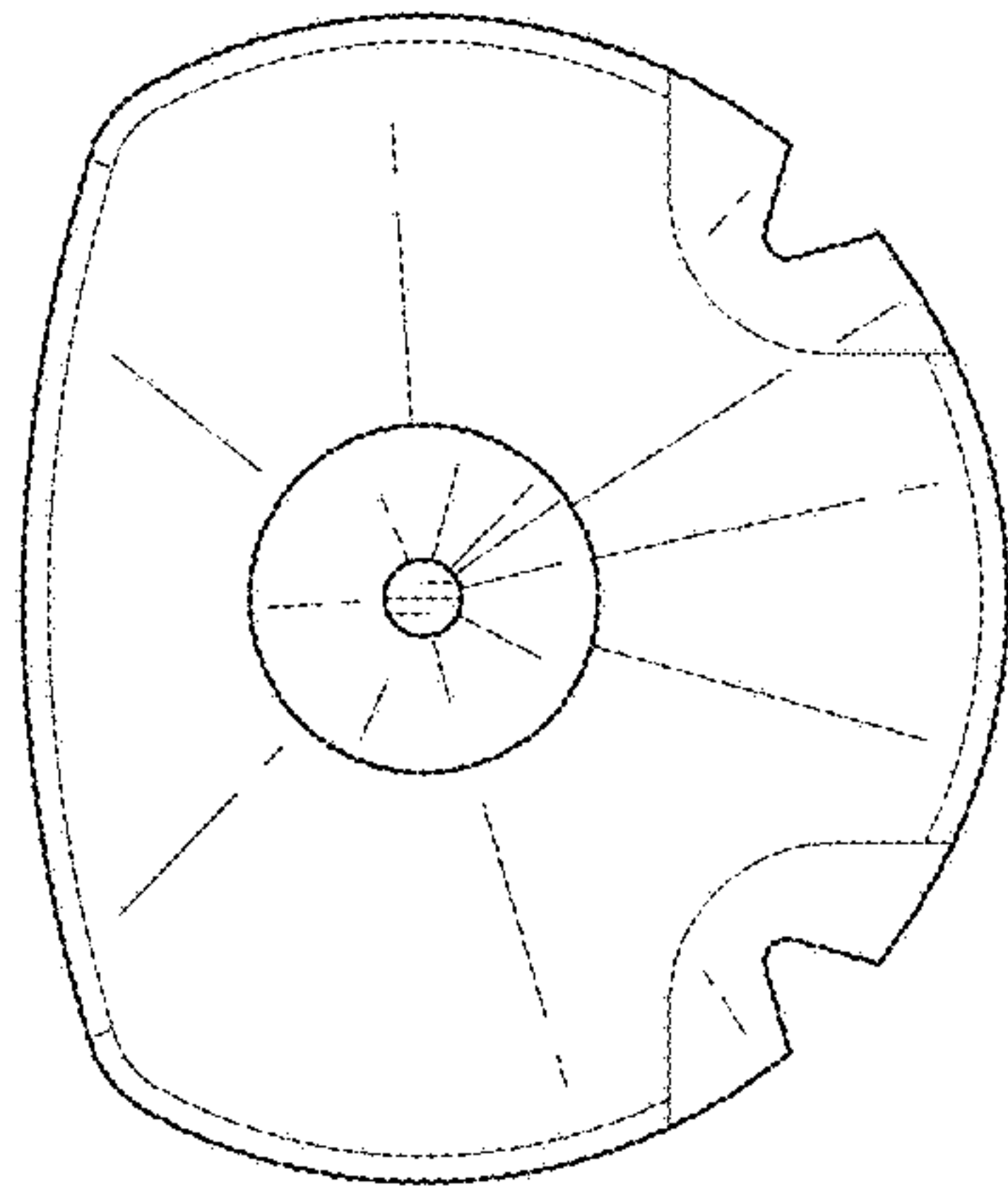


FIG. 6