



US00D863434S

(12) **United States Design Patent**  
**Schnug**

(10) **Patent No.:** **US D863,434 S**

(45) **Date of Patent:** **\*\* Oct. 15, 2019**

(54) **PEN**  
(71) Applicant: **PAGANI PENS SA**, Cadempino (CH)  
(72) Inventor: **Christoph Schnug**, Berlin (DE)  
(\*\*) Term: **15 Years**  
(21) Appl. No.: **35/506,179**  
(22) Filed: **Nov. 8, 2018**

(80) **Hague Agreement Data**

Int. Filing Date: **Nov. 8, 2018**  
Int. Reg. No.: **DM/103738**  
Int. Reg. Date: **Nov. 8, 2018**  
Int. Reg. Pub. Date: **Nov. 30, 2018**

(51) **LOC (12) Cl.** ..... **19-06**  
(52) **U.S. Cl.**  
USPC ..... **D19/171**

(58) **Field of Classification Search**  
USPC ..... D19/115-204; D14/411  
CPC ..... B43K 25/00; B43K 25/02; B43K 25/022;  
B43K 25/024; B43K 25/028; B43K  
24/00; B43K 24/02; B43K 24/08  
See application file for complete search history.

(56) **References Cited**

**U.S. PATENT DOCUMENTS**

D220,070 S \* 3/1971 Iwasaki ..... D19/171  
D390,873 S \* 2/1998 Oka ..... D19/171  
D401,276 S \* 11/1998 Worther ..... D19/171

D460,112 S \* 7/2002 Keda ..... D19/171  
D496,963 S \* 10/2004 Losel ..... D19/174  
D505,156 S \* 5/2005 Tatic ..... D19/174  
D522,579 S \* 6/2006 Sim ..... D19/119  
D529,550 S \* 10/2006 Fukui ..... D19/171  
D535,692 S \* 1/2007 Gobbo ..... D19/172  
D565,654 S \* 4/2008 Siegel ..... D19/171  
D730,987 S \* 6/2015 Schnug ..... D19/171  
D820,909 S \* 6/2018 Conti ..... D19/171  
D847,262 S \* 4/2019 Schnug ..... D19/171

\* cited by examiner

*Primary Examiner* — George D. Kirschbaum

*Assistant Examiner* — Joseph J Kukella

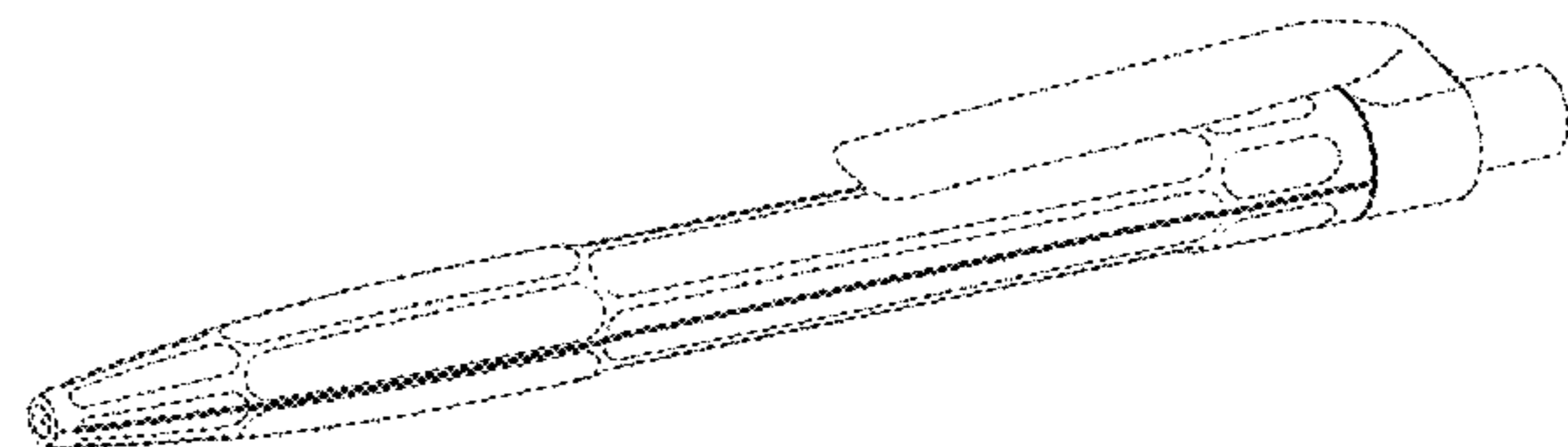
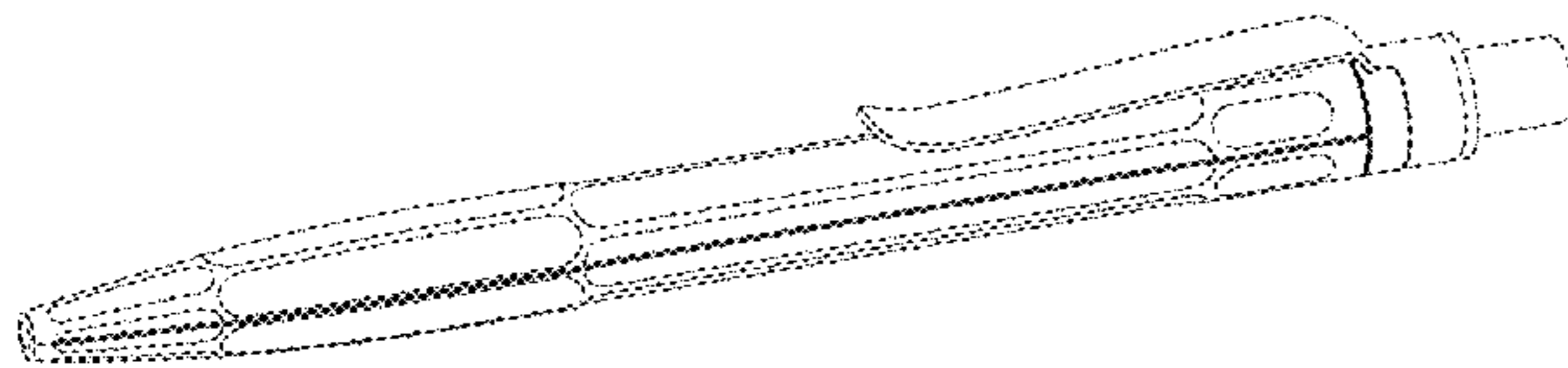
(57) **CLAIM**

The ornamental design for pen, as shown and described.

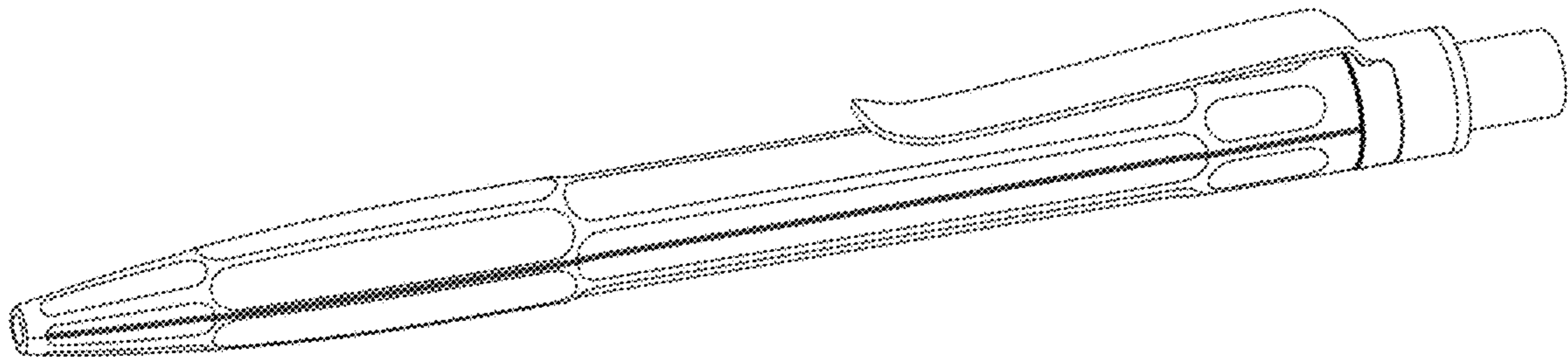
**DESCRIPTION**

- 1.-2. Pen
- 1.1 : Perspective
- 1.2 : Front
- 1.3 : Back
- 1.4 : Right
- 1.5 : Left
- 1.6 : Bottom
- 1.7 : Top
- 2.1 : Perspective
- 2.2 : Front
- 2.3 : Back
- 2.4 : Right
- 2.5 : Left
- 2.6 : Bottom
- 2.7 : Top

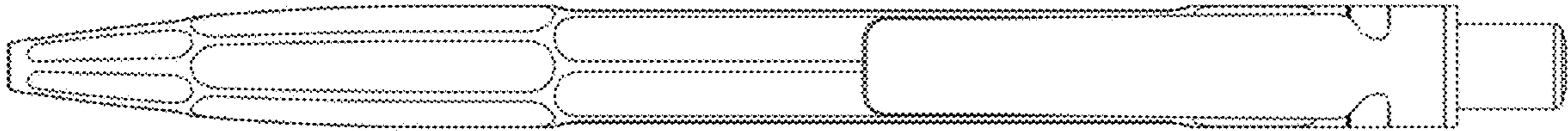
**1 Claim, 14 Drawing Sheets**



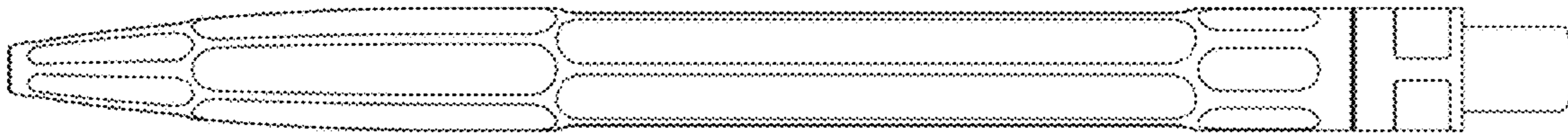
1.1



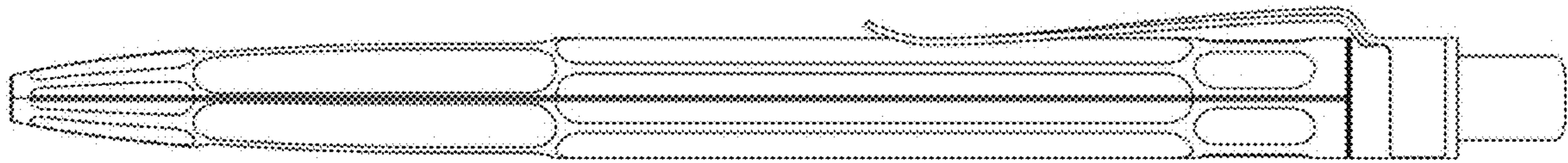
1.2



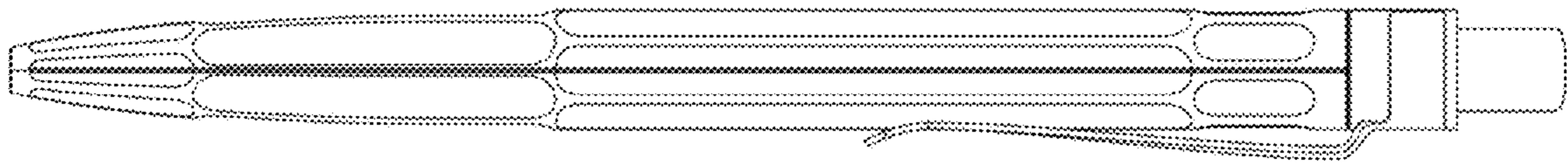
1.3



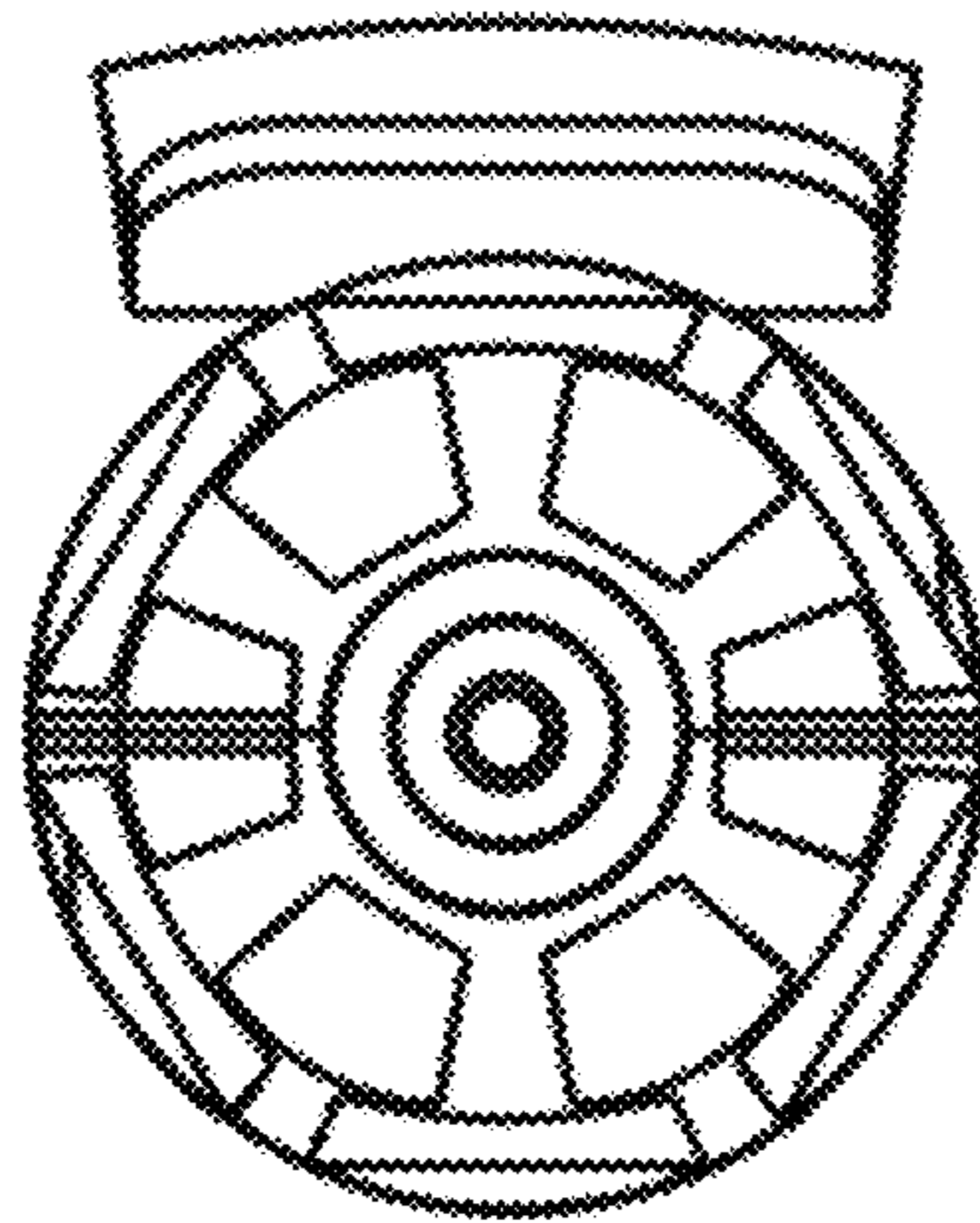
1.4



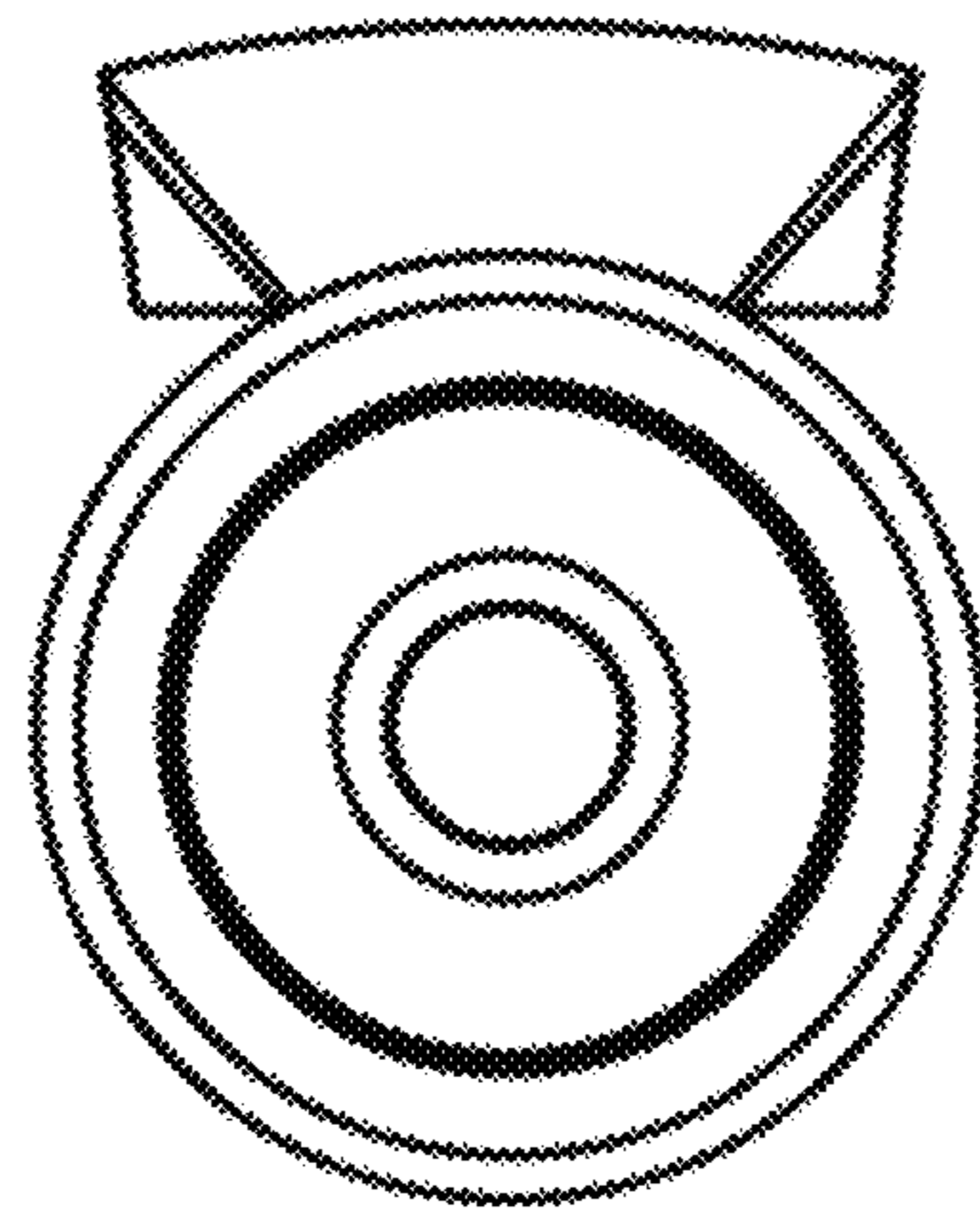
1.5



1.6

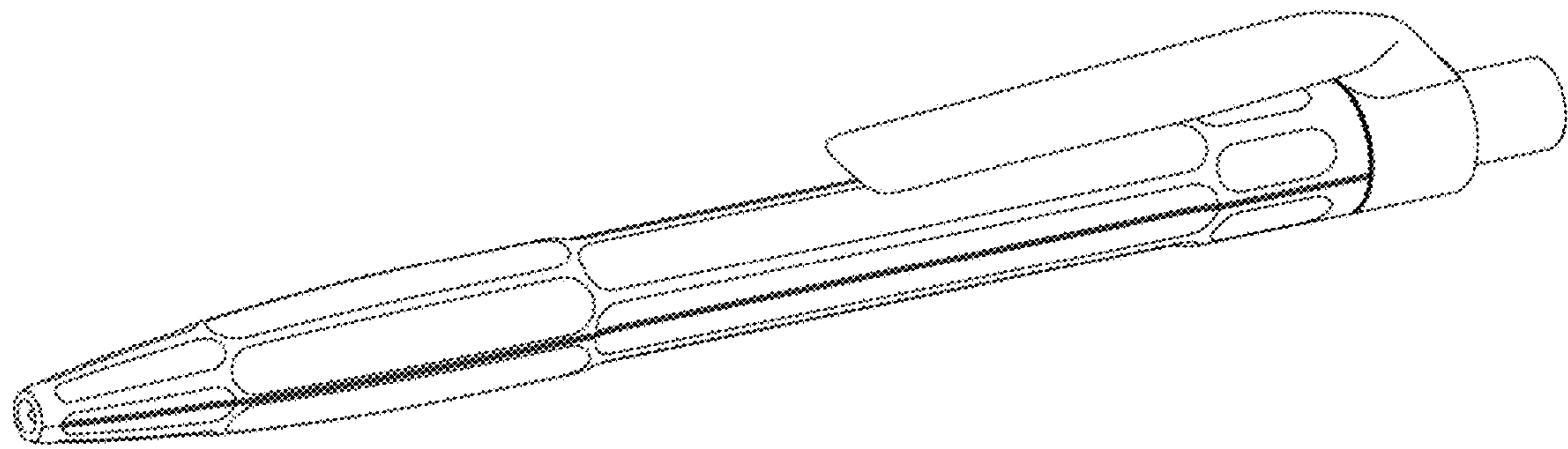


1.7

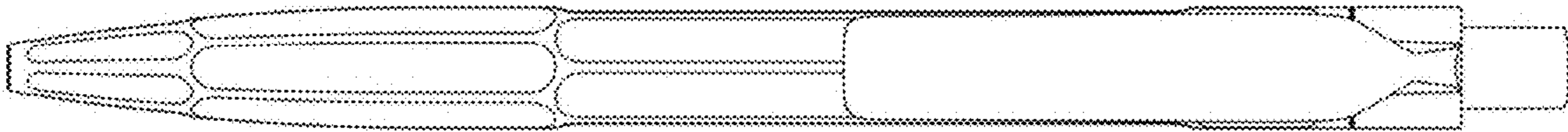




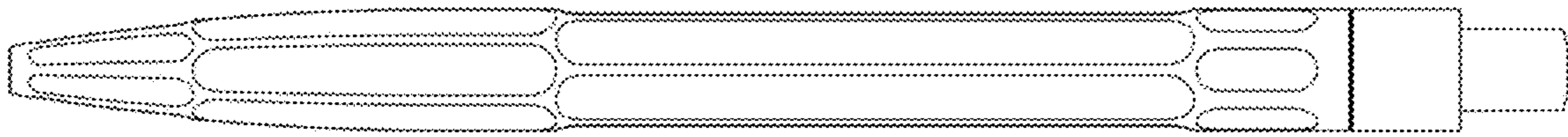
2.1



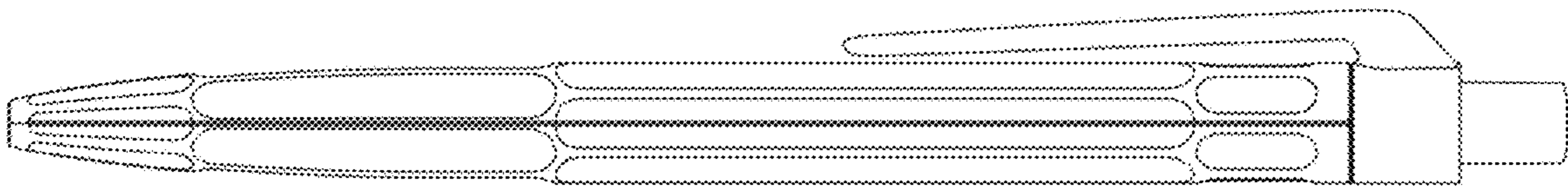
2.2



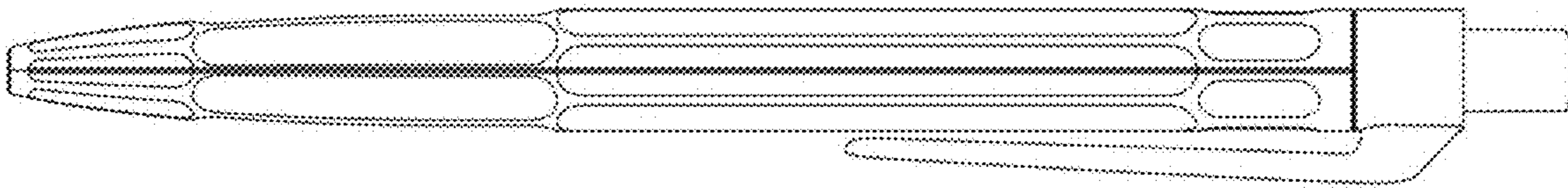
2.3



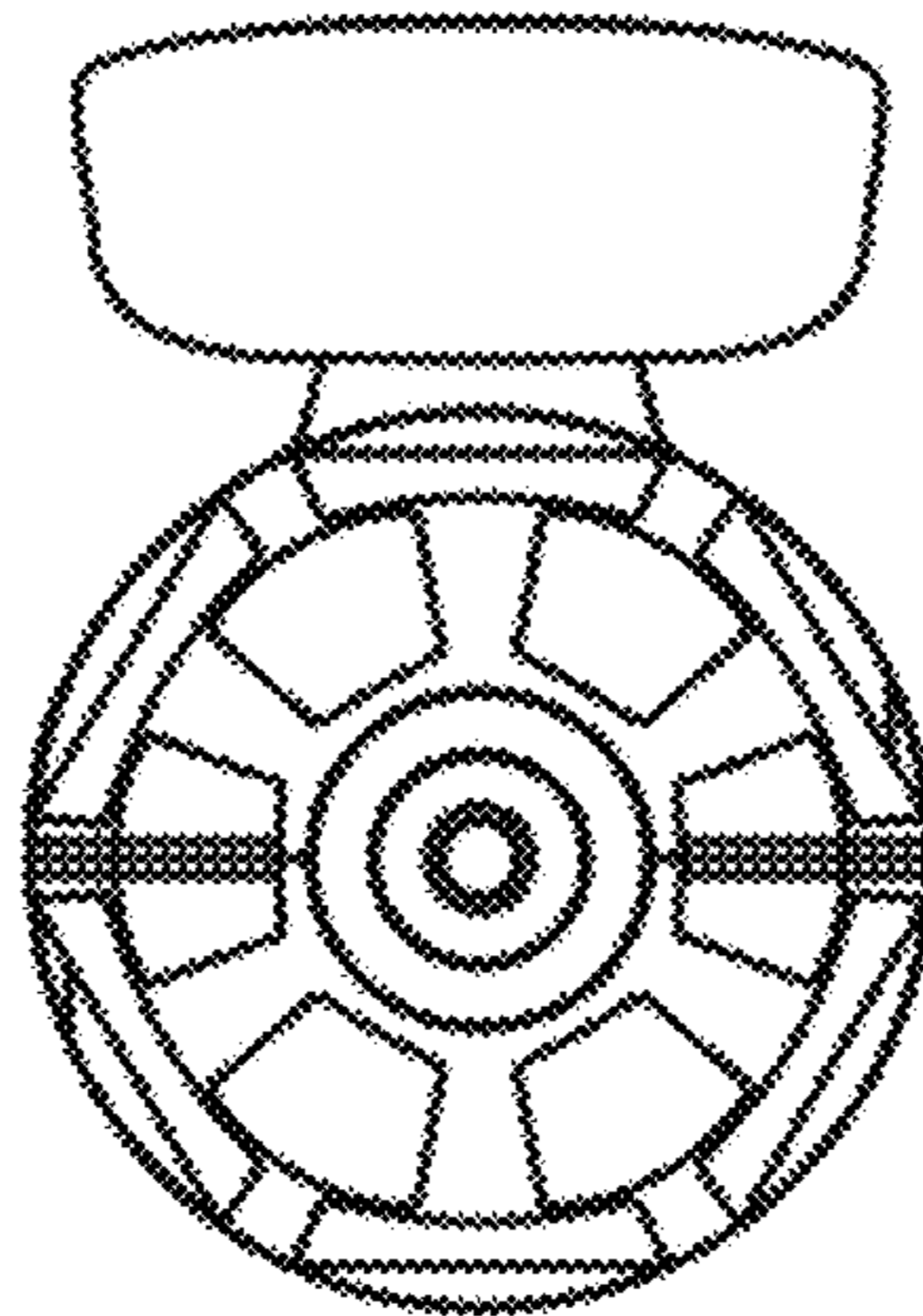
2.4



2.5



2.6



2.7

