



US00D863432S

(12) **United States Design Patent**  
**Yu**

(10) **Patent No.:** **US D863,432 S**  
(45) **Date of Patent:** **\*\* Oct. 15, 2019**

(54) **WRITING INSTRUMENT**

(71) Applicant: **Tsung-Hsien Yu**, New Taipei (TW)

(72) Inventor: **Tsung-Hsien Yu**, New Taipei (TW)

(\*\*) Term: **15 Years**

(21) Appl. No.: **29/640,009**

(22) Filed: **Mar. 11, 2018**

(51) **LOC (12) Cl.** ..... **19-06**

(52) **U.S. Cl.**  
USPC ..... **D19/166**; D19/902

(58) **Field of Classification Search**  
USPC ..... D19/115-204; D14/411  
CPC . B43K 5/005; B43K 7/12; B43K 8/04; B43K  
8/06; B43K 19/00; B43K 19/02; B43K  
19/14; B43K 21/006; B43K 21/06  
See application file for complete search history.

(56) **References Cited**

**U.S. PATENT DOCUMENTS**

- 3,029,451 A \* 4/1962 Barr ..... A61C 17/26  
15/23
- D199,521 S \* 11/1964 Johnson et al. .... D4/101
- 3,779,652 A \* 12/1973 Kunitoku ..... B43K 21/00  
401/50
- D264,547 S \* 5/1982 Watson ..... D19/901
- D301,488 S \* 6/1989 Mizutani ..... D19/163
- D386,678 S \* 11/1997 Tyra ..... D21/725
- 5,954,443 A \* 9/1999 Bacon ..... B43K 5/005  
401/11
- D420,048 S \* 2/2000 Sims ..... D19/188

- D434,461 S \* 11/2000 Hanks ..... D21/722
- D607,052 S \* 12/2009 Siegel ..... D19/166
- D617,326 S \* 6/2010 Cacioppo ..... D14/411
- D642,214 S \* 7/2011 Gitman ..... D19/174
- D645,510 S \* 9/2011 Liu ..... D19/163
- D649,210 S \* 11/2011 Page ..... D21/725
- 8,967,900 B2 \* 3/2015 Anderson ..... B43K 29/00  
401/195
- D851,087 S \* 6/2019 Nishizawa ..... D14/411
- 2015/0197118 A1 \* 7/2015 Wagenheim ..... B43K 29/20  
401/195

\* cited by examiner

*Primary Examiner* — Elizabeth A. Albert

(74) *Attorney, Agent, or Firm* — Leong C. Lei

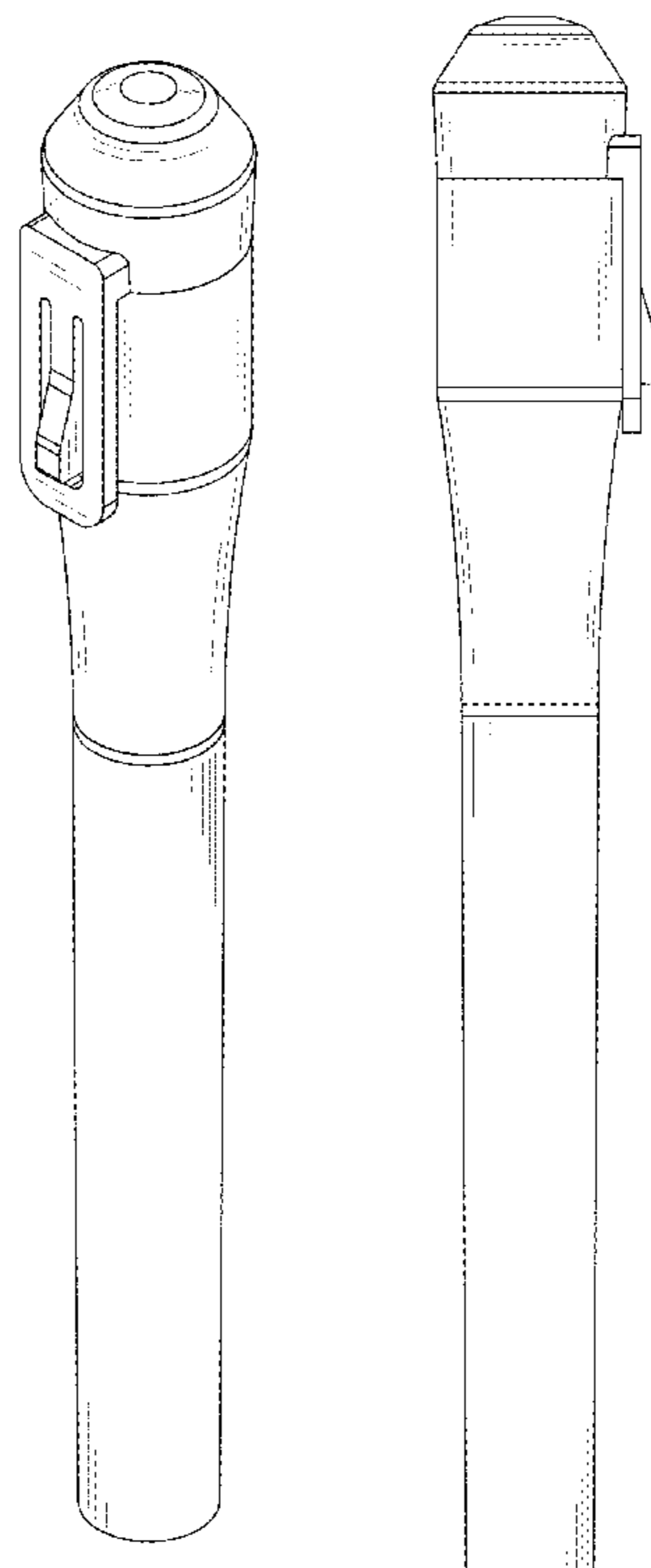
(57) **CLAIM**

The ornamental design for a writing instrument, as shown and described.

**DESCRIPTION**

FIG. 1 is a perspective view of a writing instrument showing my new design;  
FIG. 2 is a front elevational view thereof;  
FIG. 3 is a rear elevational view thereof;  
FIG. 4 is a left side perspective view thereof;  
FIG. 5 is a right side perspective view thereof;  
FIG. 6 is a top plan view thereof;  
FIG. 7 is a bottom plan view thereof; and,  
FIG. 8 is another bottom perspective view thereof.

**1 Claim, 8 Drawing Sheets**



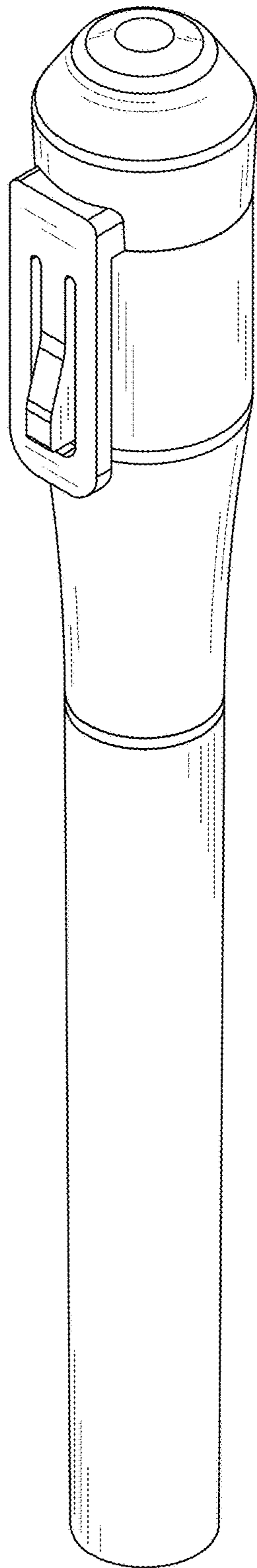


FIG. 1

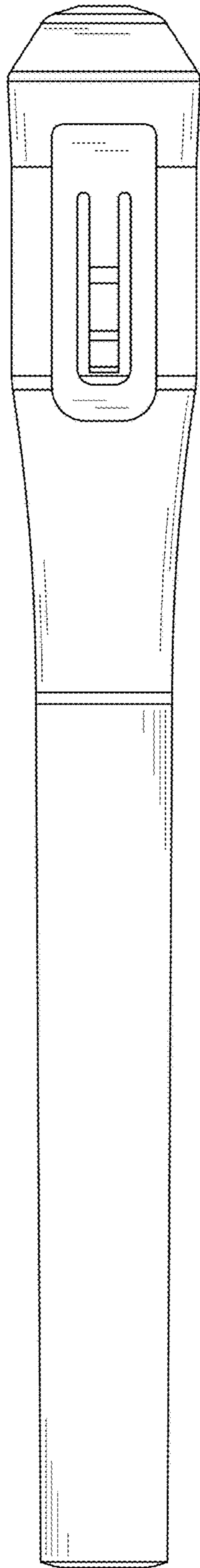


FIG. 2

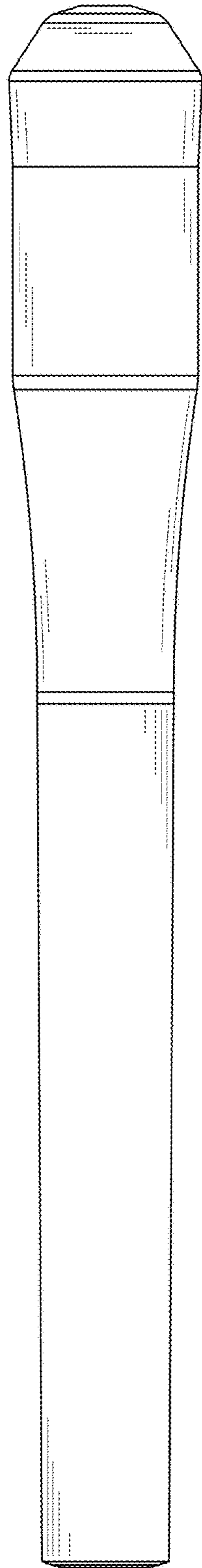


FIG. 3

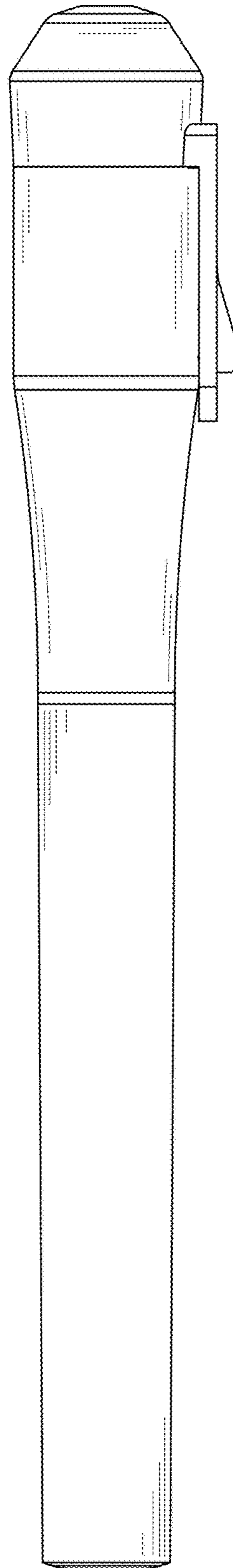


FIG. 4

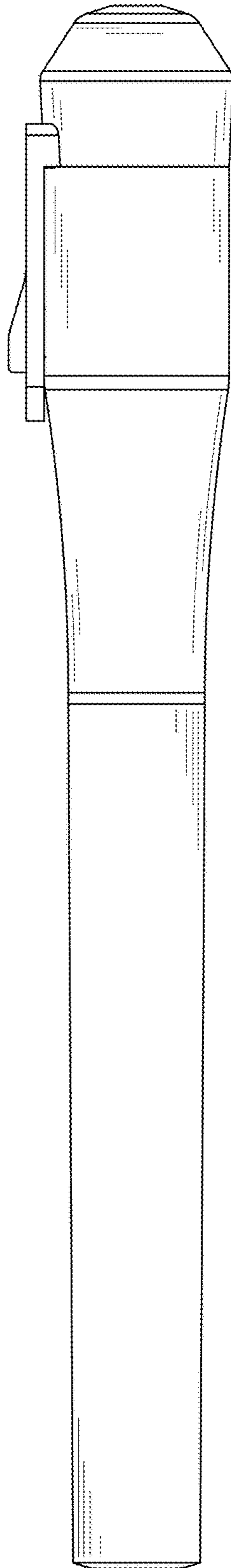


FIG. 5

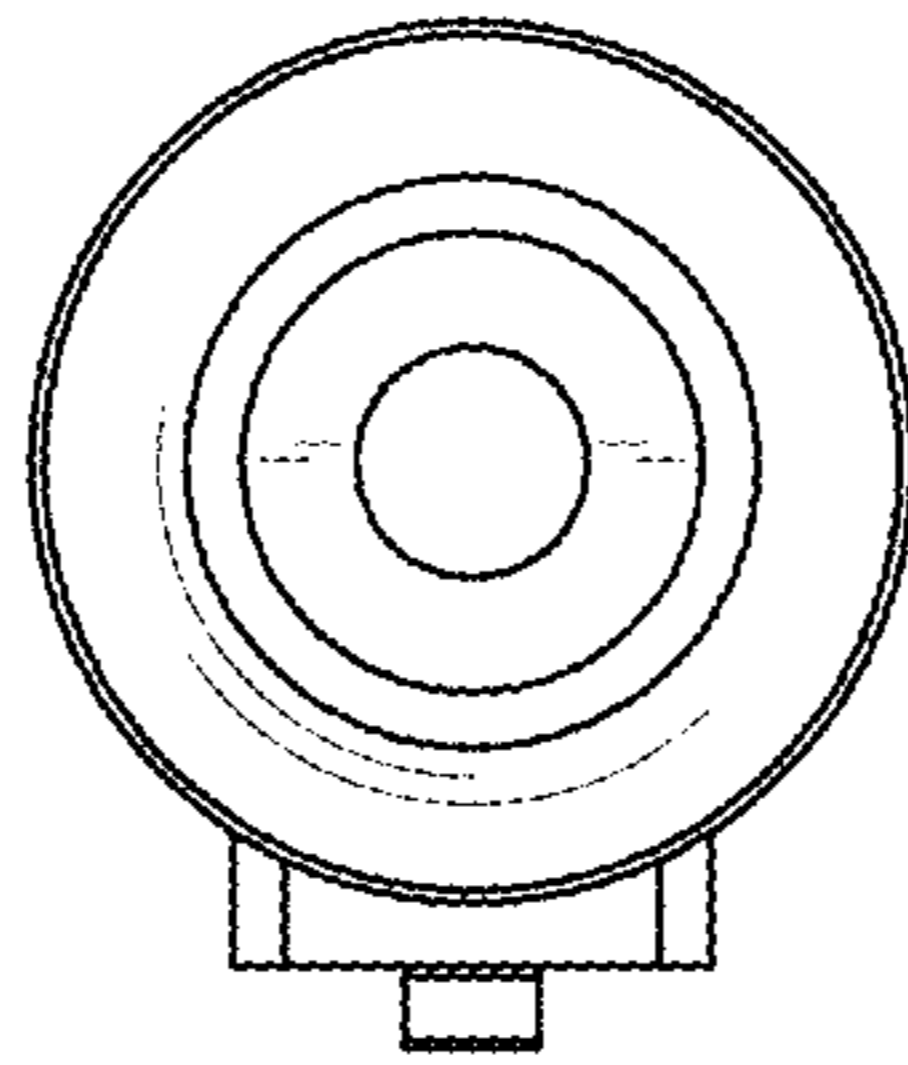


FIG. 6

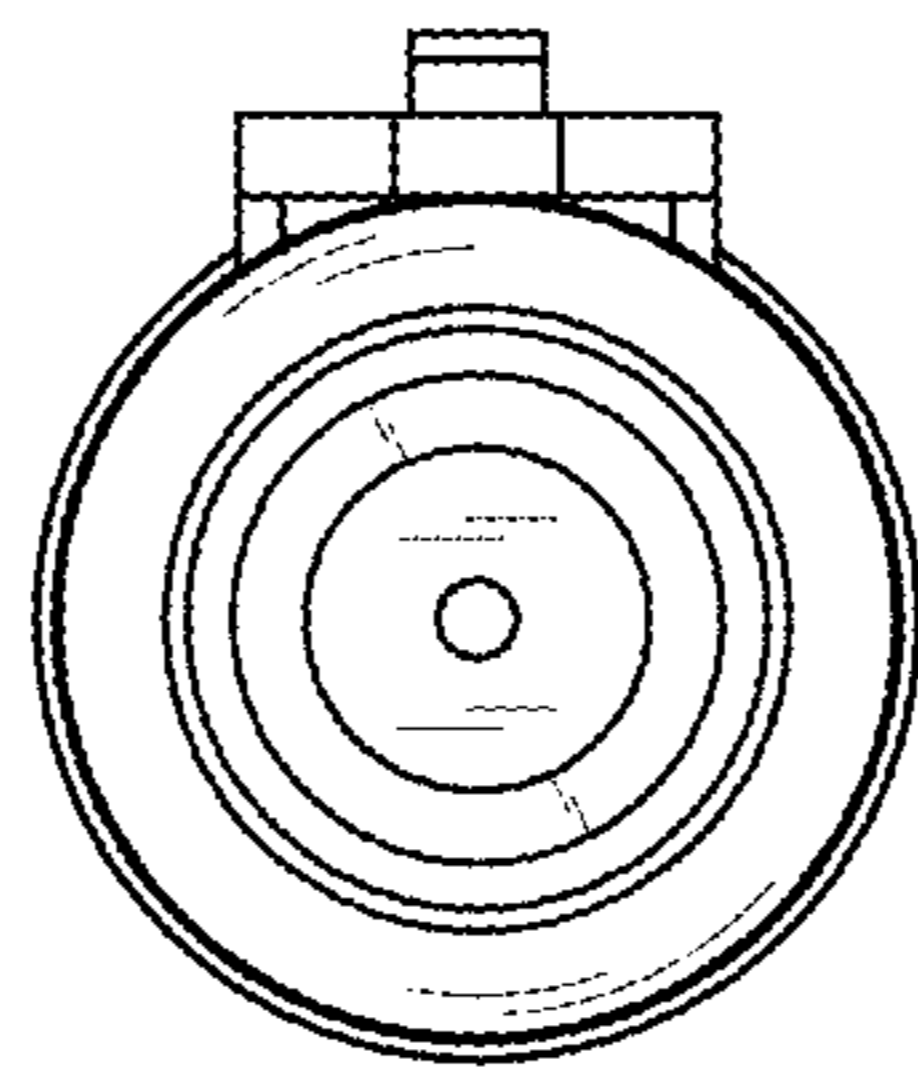


FIG. 7



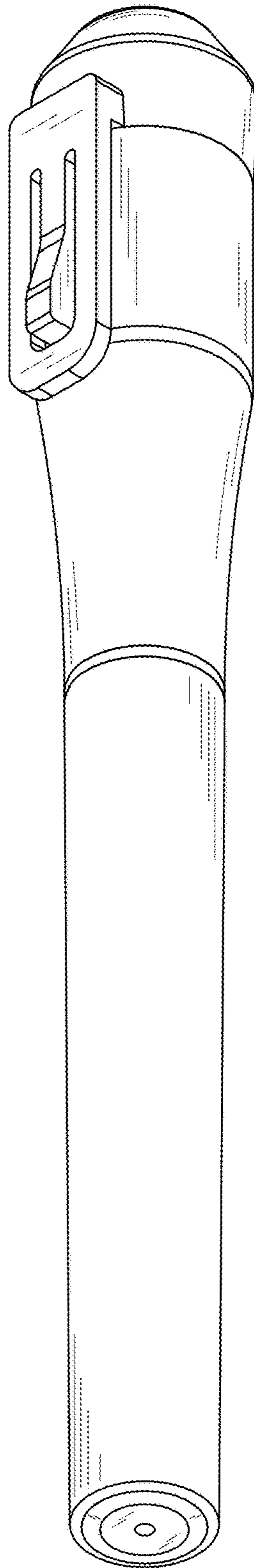


FIG. 8