



US00D863428S

(12) **United States Design Patent** (10) **Patent No.:** **US D863,428 S**  
**Suess et al.** (45) **Date of Patent:** **\*\* Oct. 15, 2019**

(54) **PEN HOLDER**

23/001; B43K 23/002; B43K 23/02;  
B43K 23/04

(71) Applicants: **Christon G. Suess**, Paramus, NJ (US);  
**Jillian Walbroel**, Woodland Park, NJ  
(US); **Jeffrey Steel**, Wood Ridge, NJ  
(US)

See application file for complete search history.

(72) Inventors: **Christon G. Suess**, Paramus, NJ (US);  
**Jillian Walbroel**, Woodland Park, NJ  
(US); **Jeffrey Steel**, Wood Ridge, NJ  
(US)

(56) **References Cited**

U.S. PATENT DOCUMENTS

(73) Assignee: **Cotapaxi Custom Design and  
Manufacturing LLC**, Carlstadt, NJ  
(US)

2,219,596 A \* 10/1940 Lundquist ..... B43K 31/00  
211/69.8  
2,693,788 A \* 11/1954 Spatz ..... B43M 99/004  
211/69.1  
2,926,790 A \* 3/1960 Dieck ..... B43K 23/001  
211/69.8  
2,974,703 A \* 3/1961 Rapata ..... B60Q 1/0683  
411/182  
D206,896 S \* 2/1967 Fiely ..... D11/2  
3,402,984 A \* 9/1968 Zazzara ..... B43K 23/012  
15/443  
D263,191 S \* 3/1982 Moore ..... D19/90  
D273,659 S \* 5/1984 Sakaguchi ..... D8/394  
D279,300 S \* 6/1985 Wolf ..... D11/157

(\*\*) Term: **15 Years**

(Continued)

(21) Appl. No.: **29/653,077**

*Primary Examiner* — Elizabeth A. Albert

(22) Filed: **Jun. 12, 2018**

(74) *Attorney, Agent, or Firm* — Steven E. Shapiro

(51) **LOC (12) Cl.** ..... **19-06**

(57) **CLAIM**

The ornamental design for a pen holder, as shown and described.

(52) **U.S. Cl.**

**DESCRIPTION**

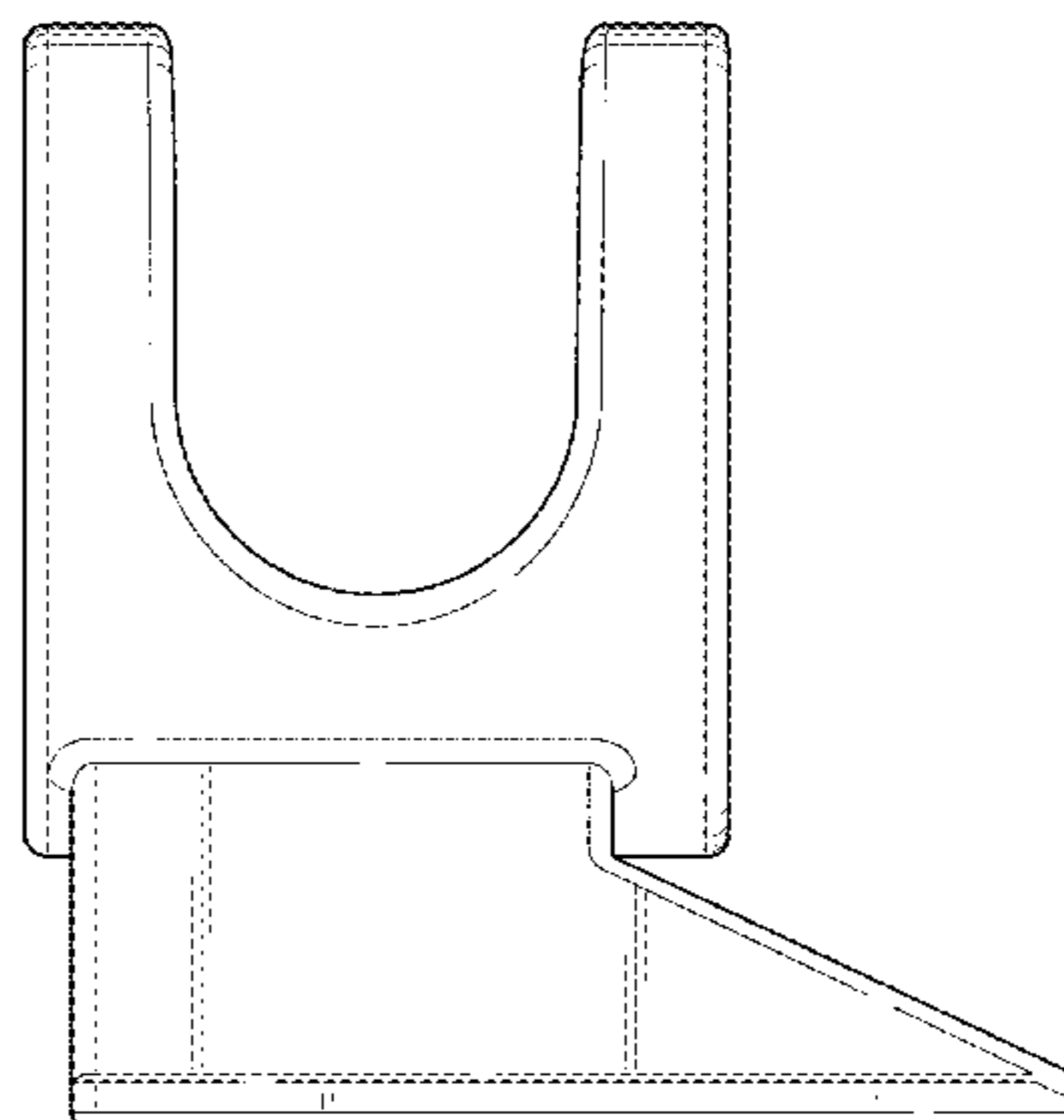
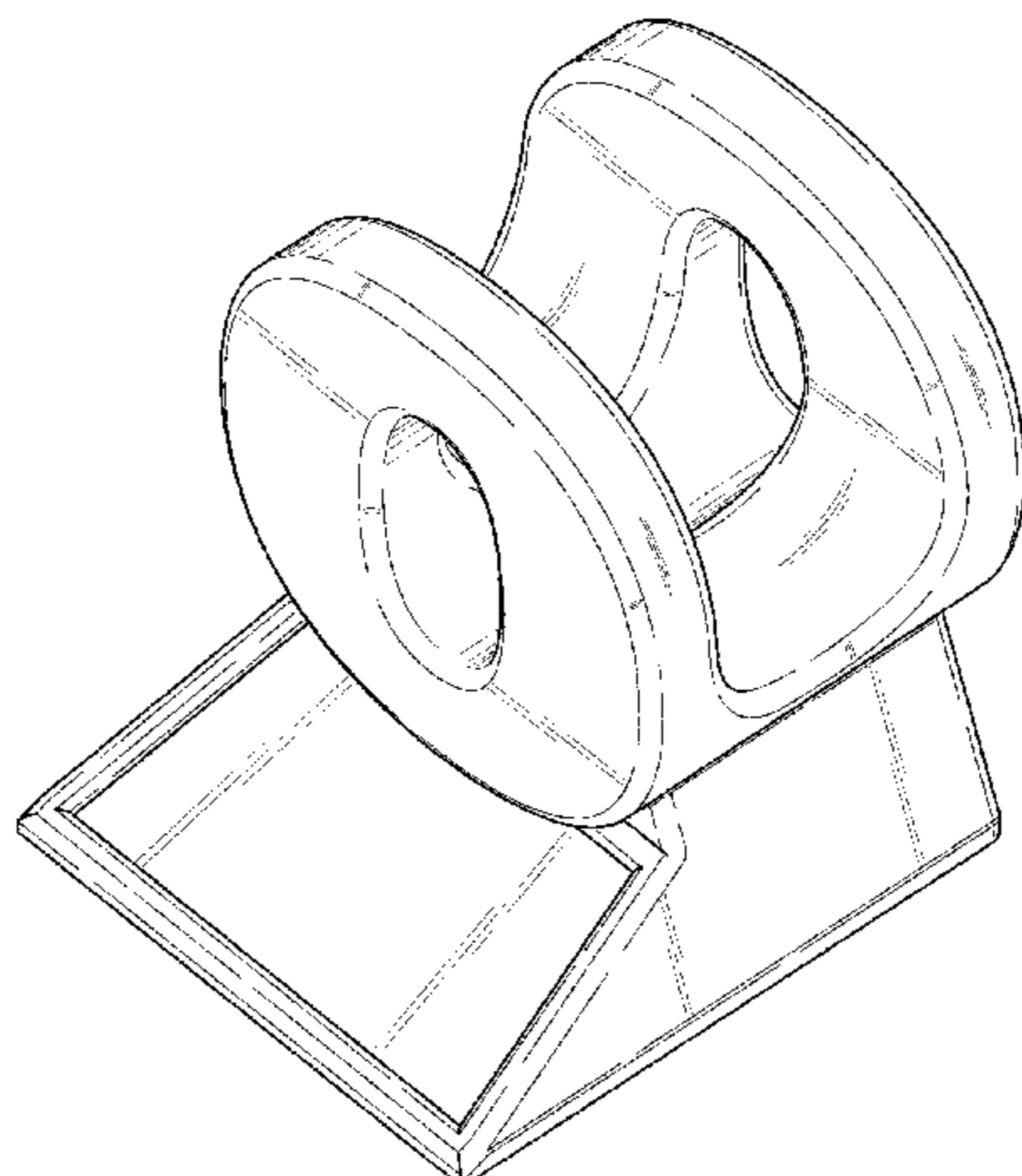
USPC ..... **D19/81**

(58) **Field of Classification Search**

USPC ..... D3/206, 304, 306; D6/553, 567, 573,  
D6/574, 672, 673, 675, 675.1, 683, 703.5,  
D6/705.4, 705.7, 706; D7/640, 641;  
D8/396; D10/71; D19/75, 77-87, 90-92,  
D19/95-97; D21/392-394  
CPC ..... A47B 23/042; A47B 55/06; A47B 63/00;  
A47F 5/005; A47F 7/14; A47F 7/146;  
A47F 7/147; B42F 17/08; B43M 99/00;  
B43M 99/001; B43M 99/003; B43M  
99/004; B43M 99/006; B43M 99/007;  
B43M 99/008; B43M 99/009; B43K

FIG. 1 is a top, front, right side perspective view of a pen holder;  
FIG. 2 is a top, right side perspective view of the pen holder;  
FIG. 3 is a top, rear, right side perspective view of the pen holder;  
FIG. 4 is a front, top perspective view of the pen holder;  
FIG. 5 is a bottom, rear, right side perspective view of the pen holder;  
FIG. 6 is a front elevation view of the pen holder;  
FIG. 7 is a rear elevation view of the pen holder;  
FIG. 8 is a right side elevation view of the pen holder;  
FIG. 9 is a left side elevation view of the pen holder;  
FIG. 10 is a top plan view of the pen holder; and,  
FIG. 11 is a bottom plan view of the pen holder.

(Continued)



The broken lines represent portions of the pen holder that form no part of the claimed design.

**1 Claim, 11 Drawing Sheets**

(56)

**References Cited**

U.S. PATENT DOCUMENTS

D320,547 S \* 10/1991 Georgopoulos ..... D8/396  
5,463,855 A \* 11/1995 Johnson ..... A01B 73/00  
16/19  
D368,932 S \* 4/1996 Mussalo ..... D19/100  
5,810,501 A \* 9/1998 Ross ..... F16B 37/005  
403/231  
D404,996 S \* 2/1999 Ross ..... D8/382  
D406,051 S \* 2/1999 Ross ..... D8/395  
D408,059 S \* 4/1999 Marnix ..... D11/133  
D512,272 S \* 12/2005 Avrish ..... D19/84  
7,125,294 B2 \* 10/2006 Bruno ..... H05K 3/303  
439/876  
D531,890 S \* 11/2006 Bentrim ..... D8/382  
7,608,782 B2 \* 10/2009 Hill ..... H01R 4/48  
174/84 C  
D712,473 S \* 9/2014 Andochick ..... D19/81  
9,791,102 B2 \* 10/2017 Moreau ..... A44C 11/005

\* cited by examiner

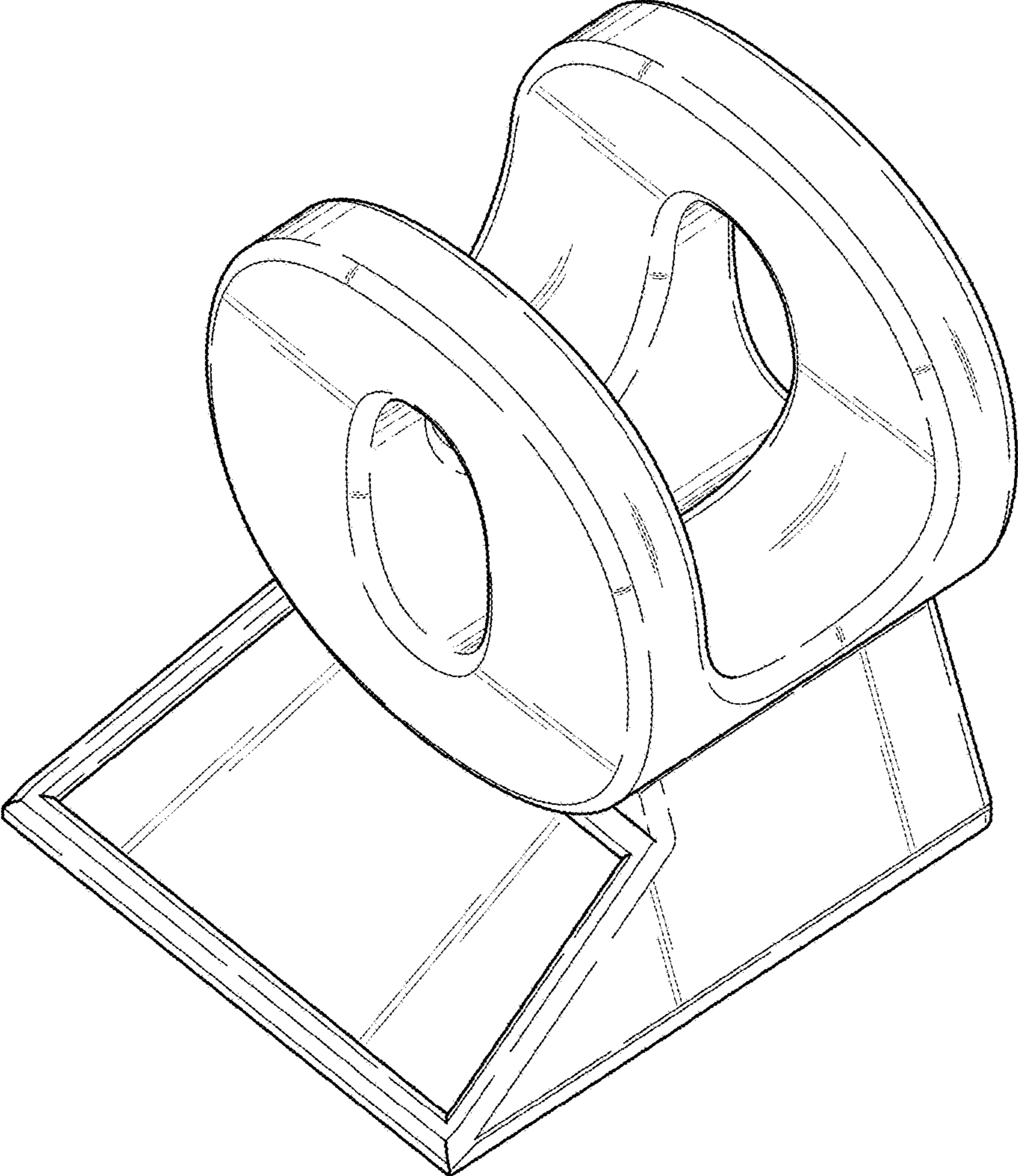


FIG. 1

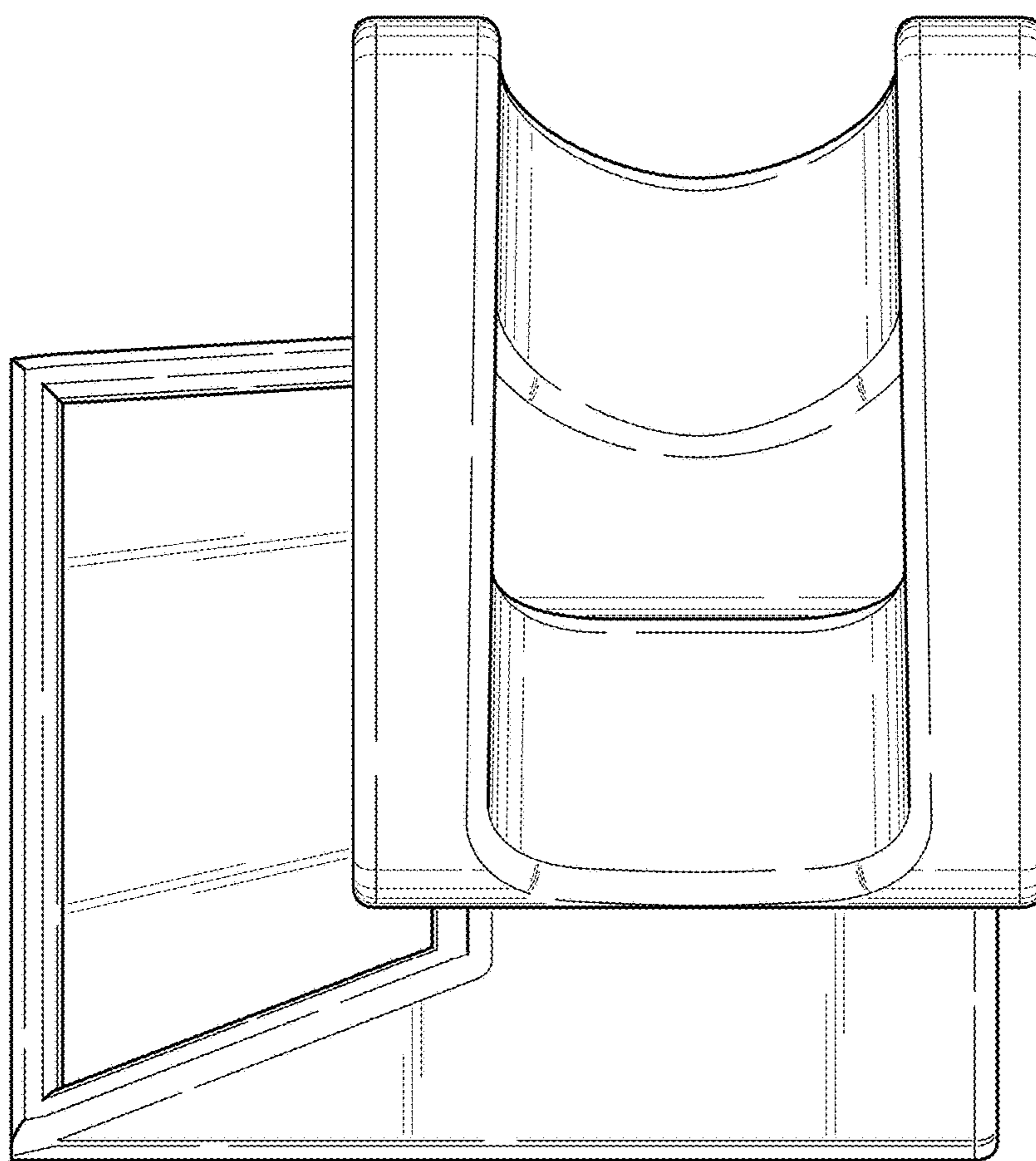


FIG. 2



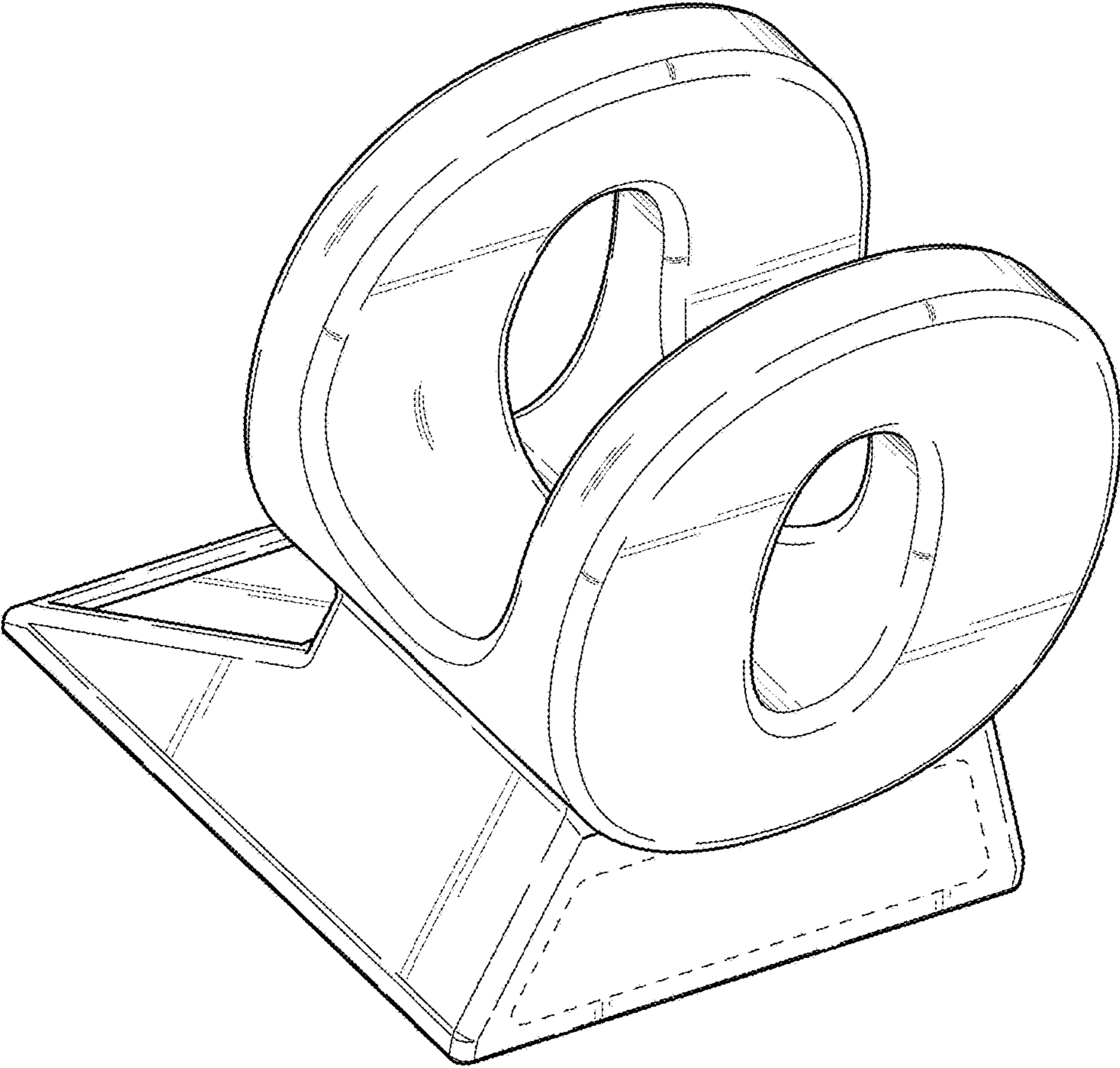


FIG. 3

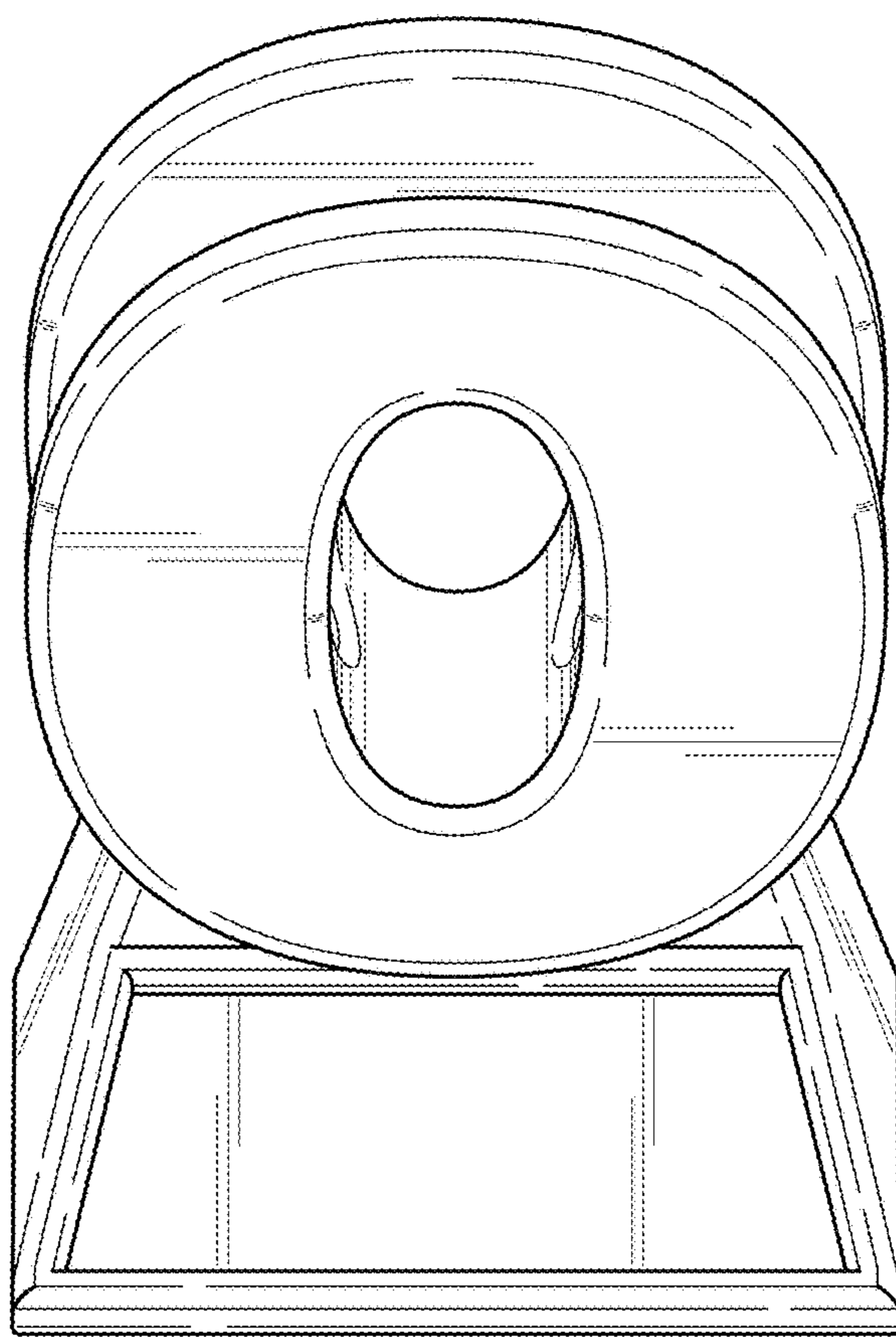


FIG. 4

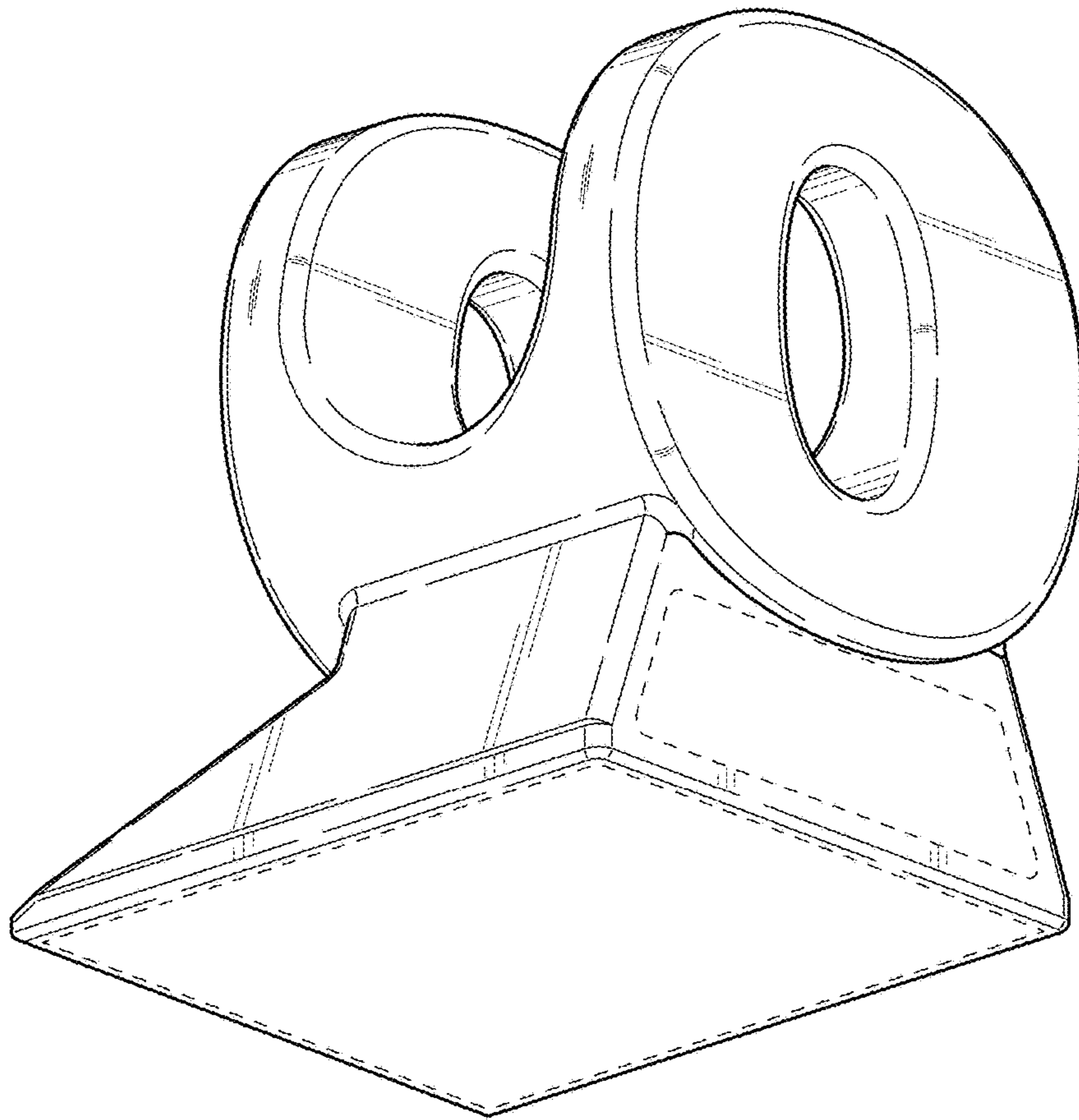


FIG. 5

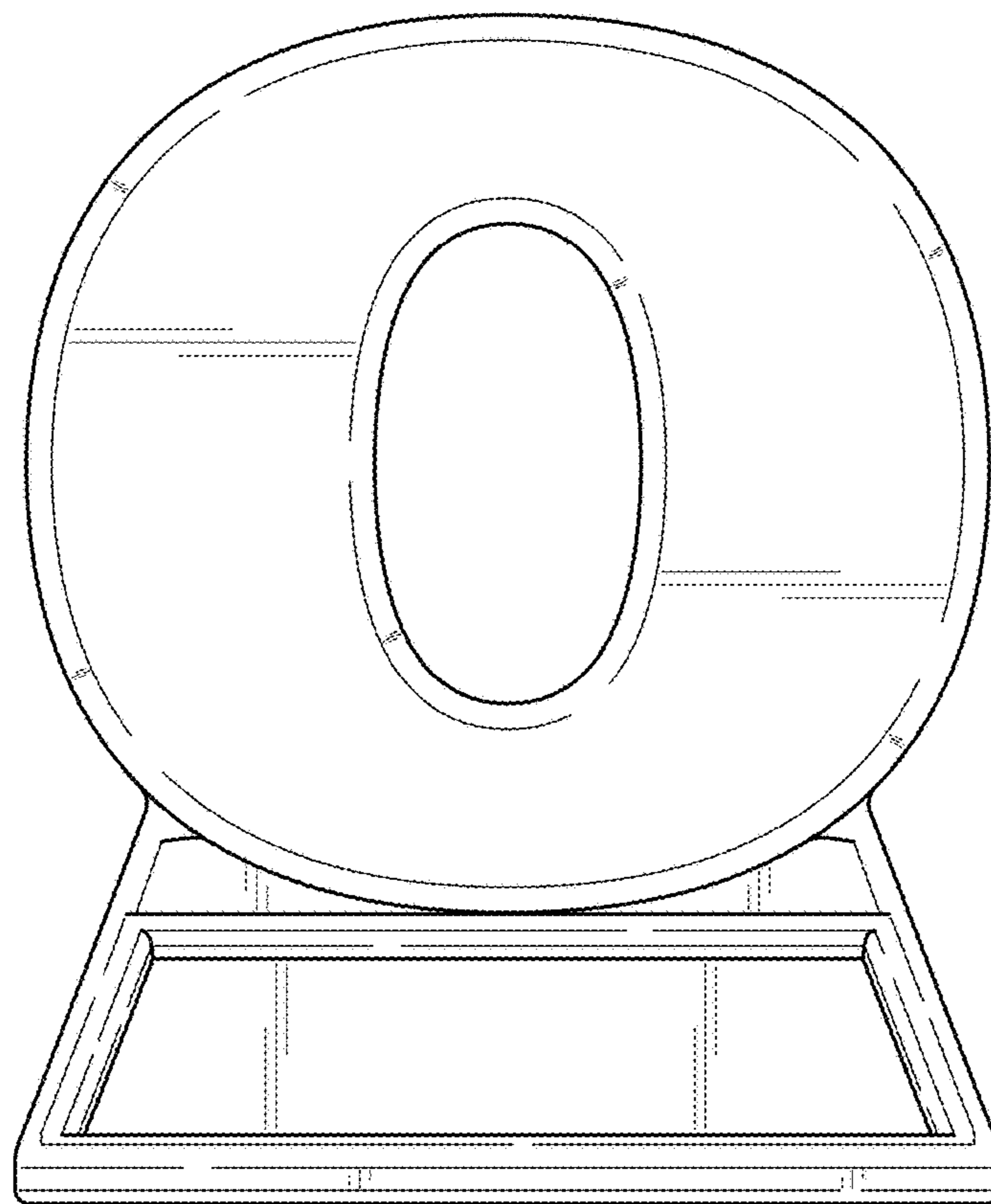


FIG. 6



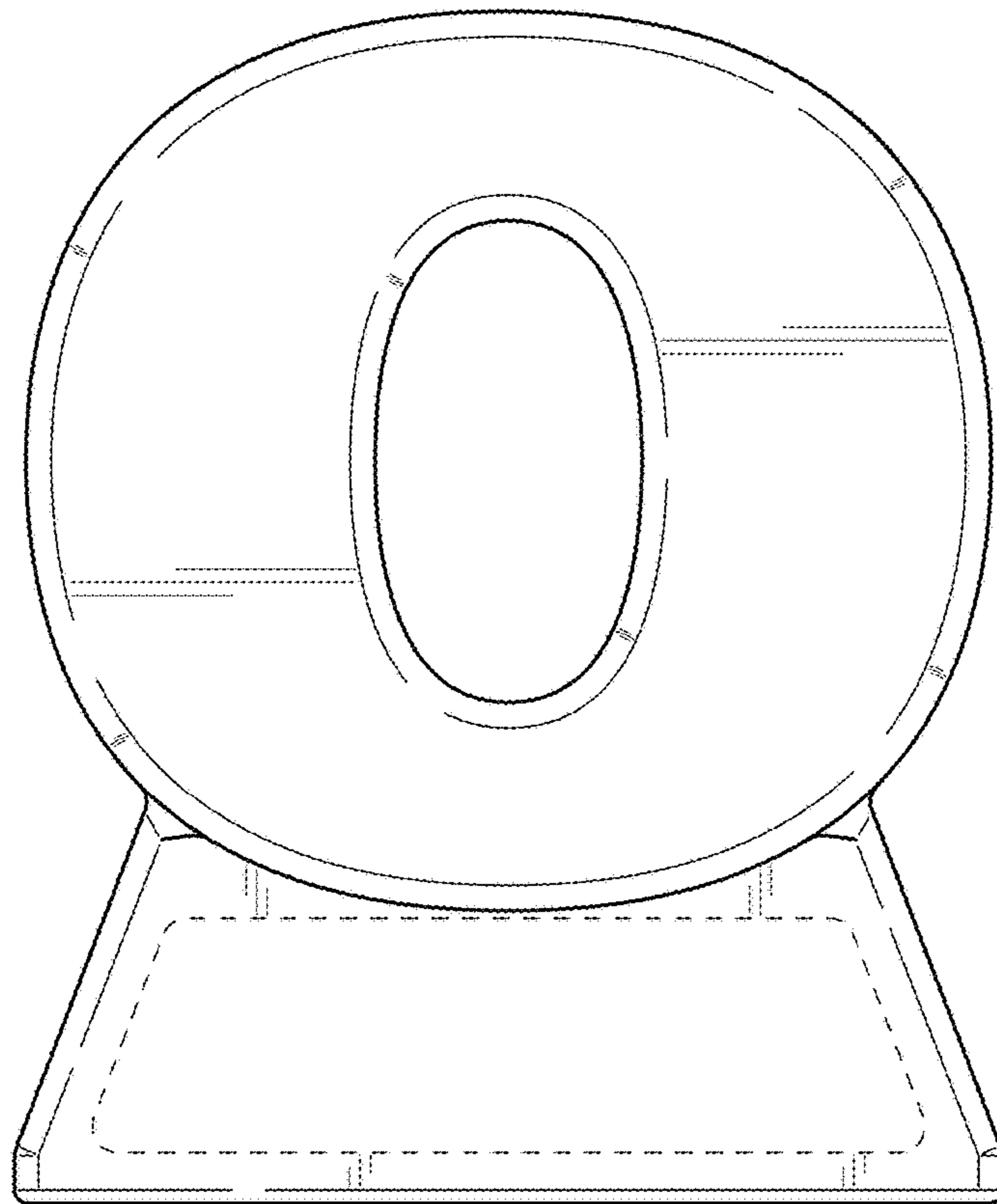


FIG. 7

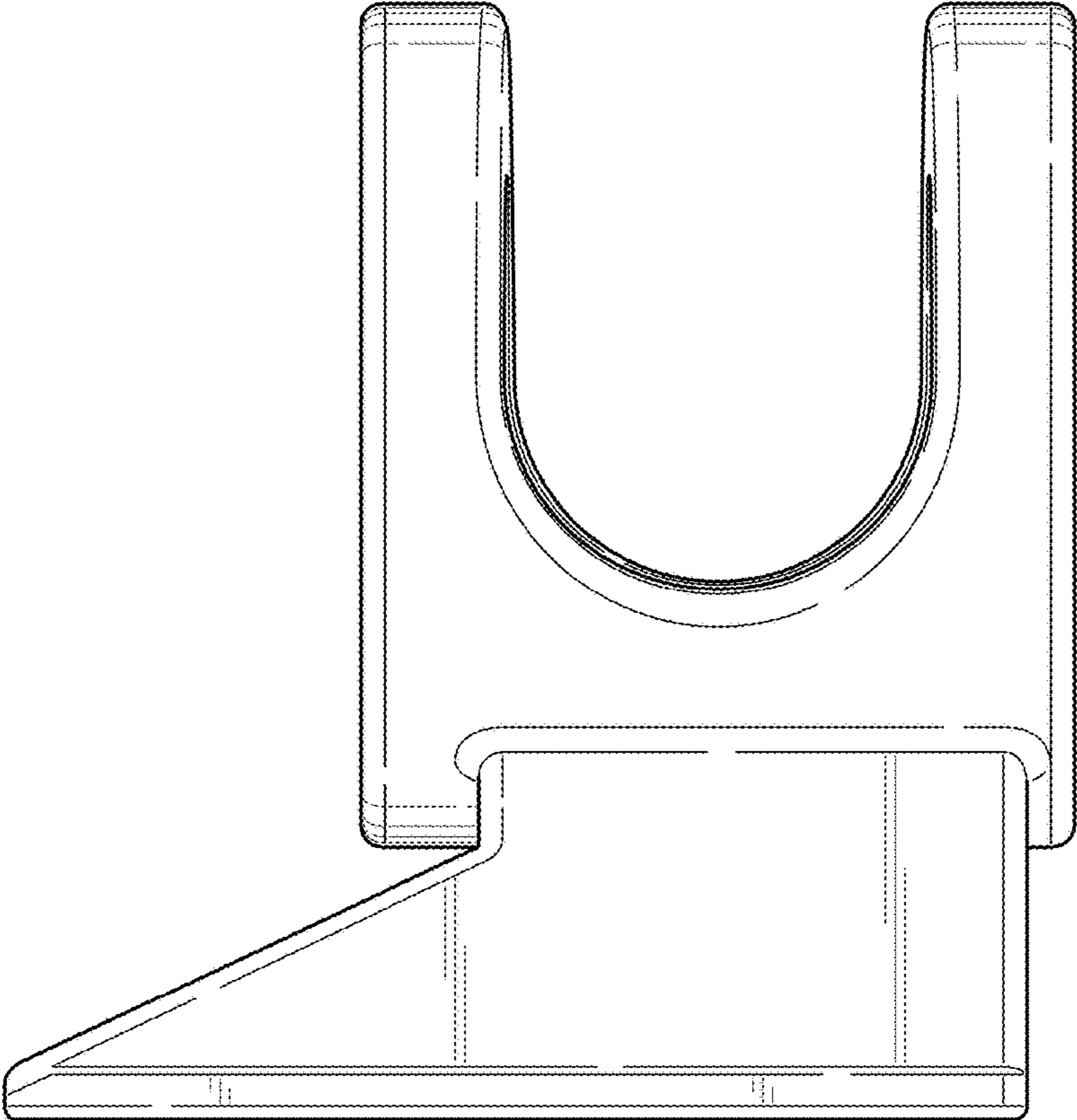


FIG. 8

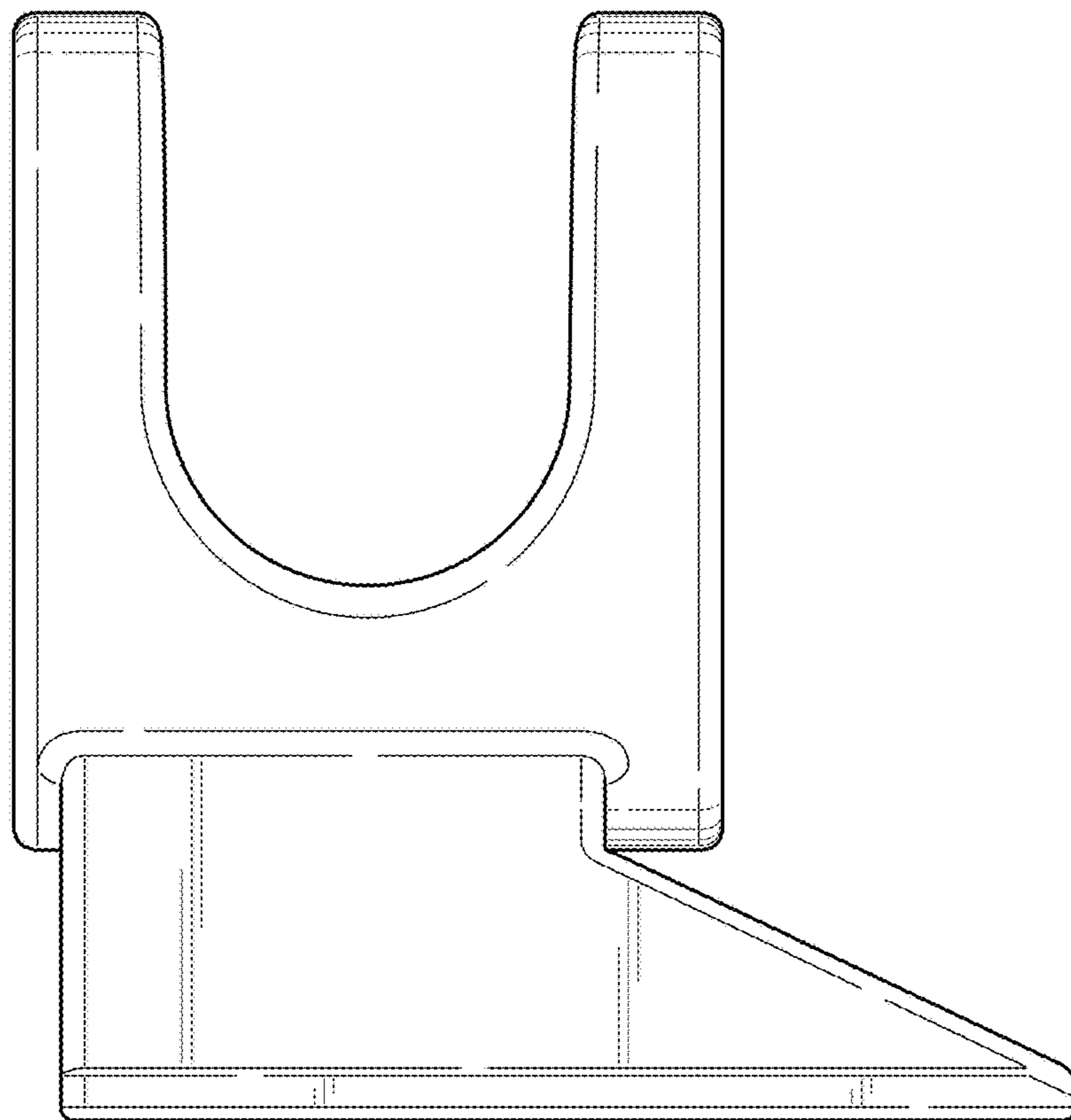


FIG. 9

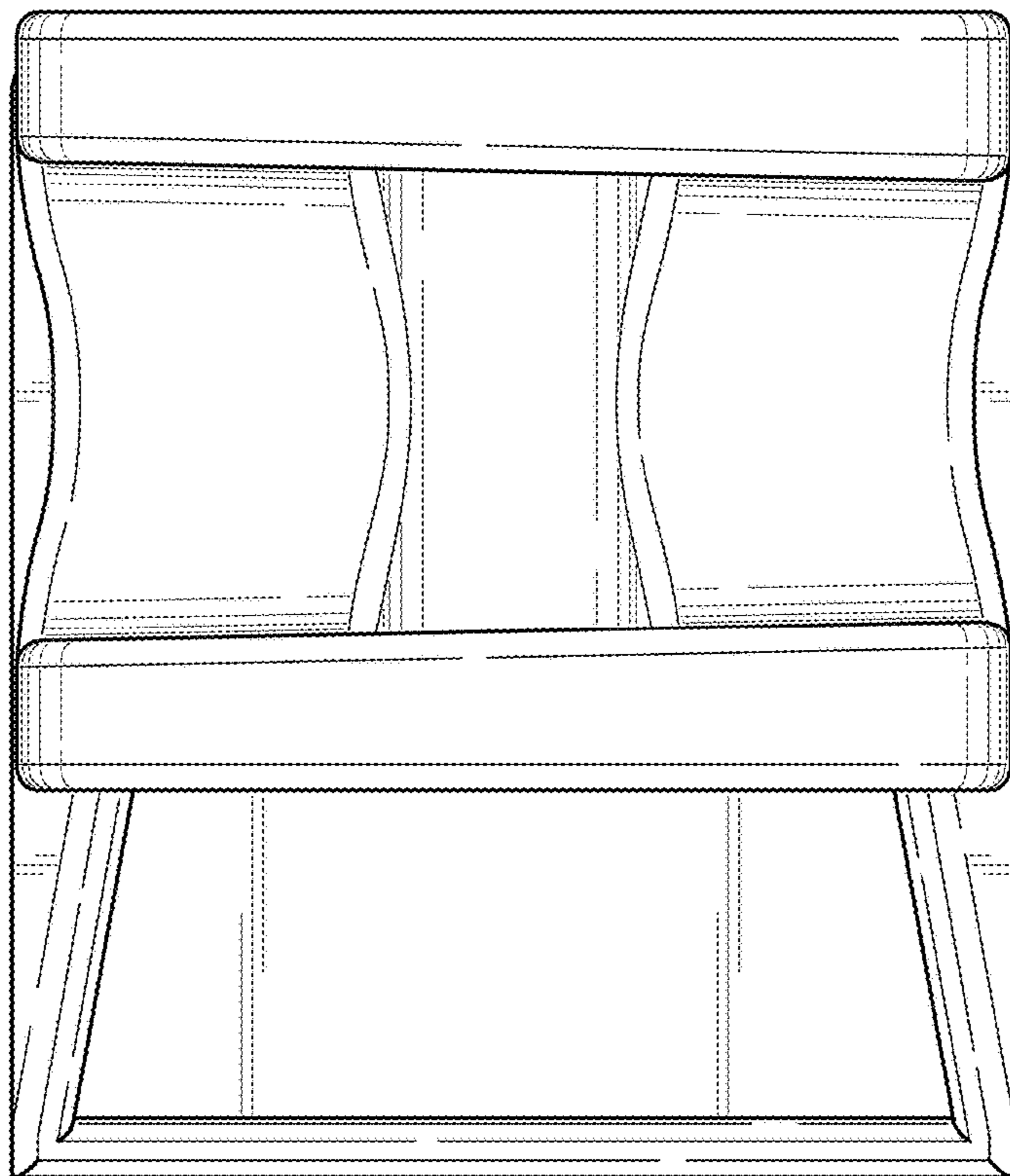


FIG. 10

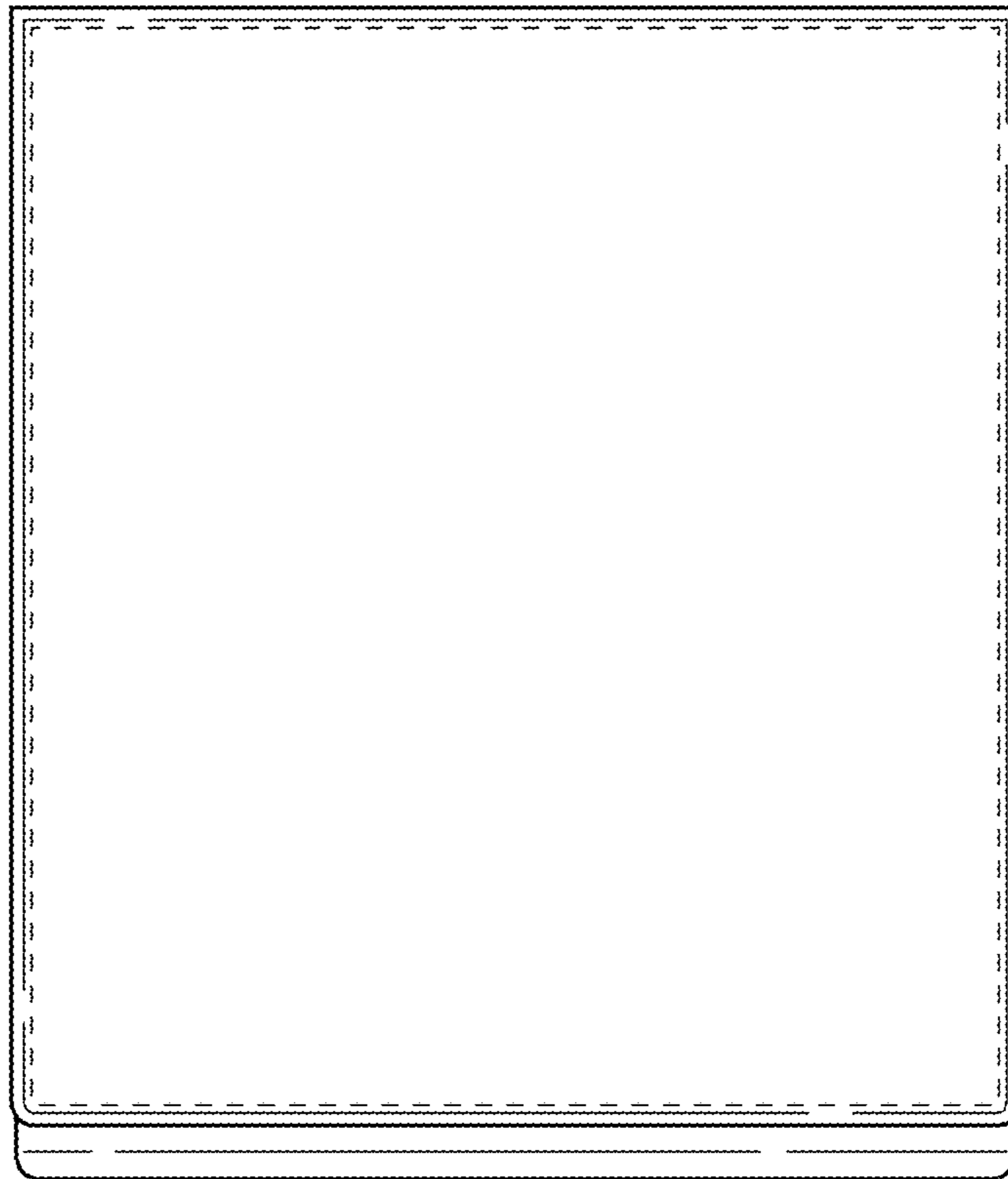


FIG. 11