

US00D863426S

(12) **United States Design Patent** (10) **Patent No.:** **US D863,426 S**
Reed (45) **Date of Patent:** **** Oct. 15, 2019**

(54) **EDUCATIONAL TOOL FOR GLOBAL AWARENESS**

(71) Applicant: **Angela Reed**, Belews Creek, NC (US)

(72) Inventor: **Angela Reed**, Belews Creek, NC (US)

(**) Term: **15 Years**

(21) Appl. No.: **29/632,516**

(22) Filed: **Jan. 8, 2018**

(51) **LOC (12) Cl.** **19-07**

(52) **U.S. Cl.**
USPC **D19/61; D21/362**

(58) **Field of Classification Search**
USPC D19/59-64; D21/362, 365, 712, 377,
D21/376, 351, 335, 334, 455, 466, 467,
D21/479, 498
CPC G06N 99/005; G09B 27/00; G09B 27/02;
G09B 27/04; G09B 27/06; G09B 27/08;
A63F 3/0434; A63F 2003/0439; A63F
2003/0442; A63F 2003/0444
See application file for complete search history.

(56) **References Cited**

U.S. PATENT DOCUMENTS

1,081,207	A *	12/1913	Cahill	G09B 27/08 434/137
1,359,646	A *	11/1920	Zion	A63F 9/18 273/273
1,798,644	A *	3/1931	Wheat	G09B 27/08 434/138
2,326,385	A *	8/1943	Mullins	G09B 27/08 434/131
3,010,152	A *	11/1961	Braund	B29C 51/00 101/483
3,034,229	A *	5/1962	Kessler	G09B 19/12 434/304
4,029,321	A *	6/1977	Lang, Jr.	A63F 3/0402 273/236
4,776,802	A *	10/1988	Rind	A63F 3/0423 273/157 R

(Continued)

FOREIGN PATENT DOCUMENTS

DE	3023735	A1 *	1/1982	G04B 19/223
DE	3612880	A1 *	10/1987	G04B 19/223

(Continued)

OTHER PUBLICATIONS

Flickr. Link: <https://www.flickr.com/photos/mogplayer/10492738306/in/photostream/>. Oct. 26, 2013. Custom Dune game board. (Year: 2013).*

(Continued)

Primary Examiner — Marie D. Fast Horse
Assistant Examiner — Lauren D McVey
(74) *Attorney, Agent, or Firm* — Leak & Jamison, PLLC;
Matthew L. Jamison

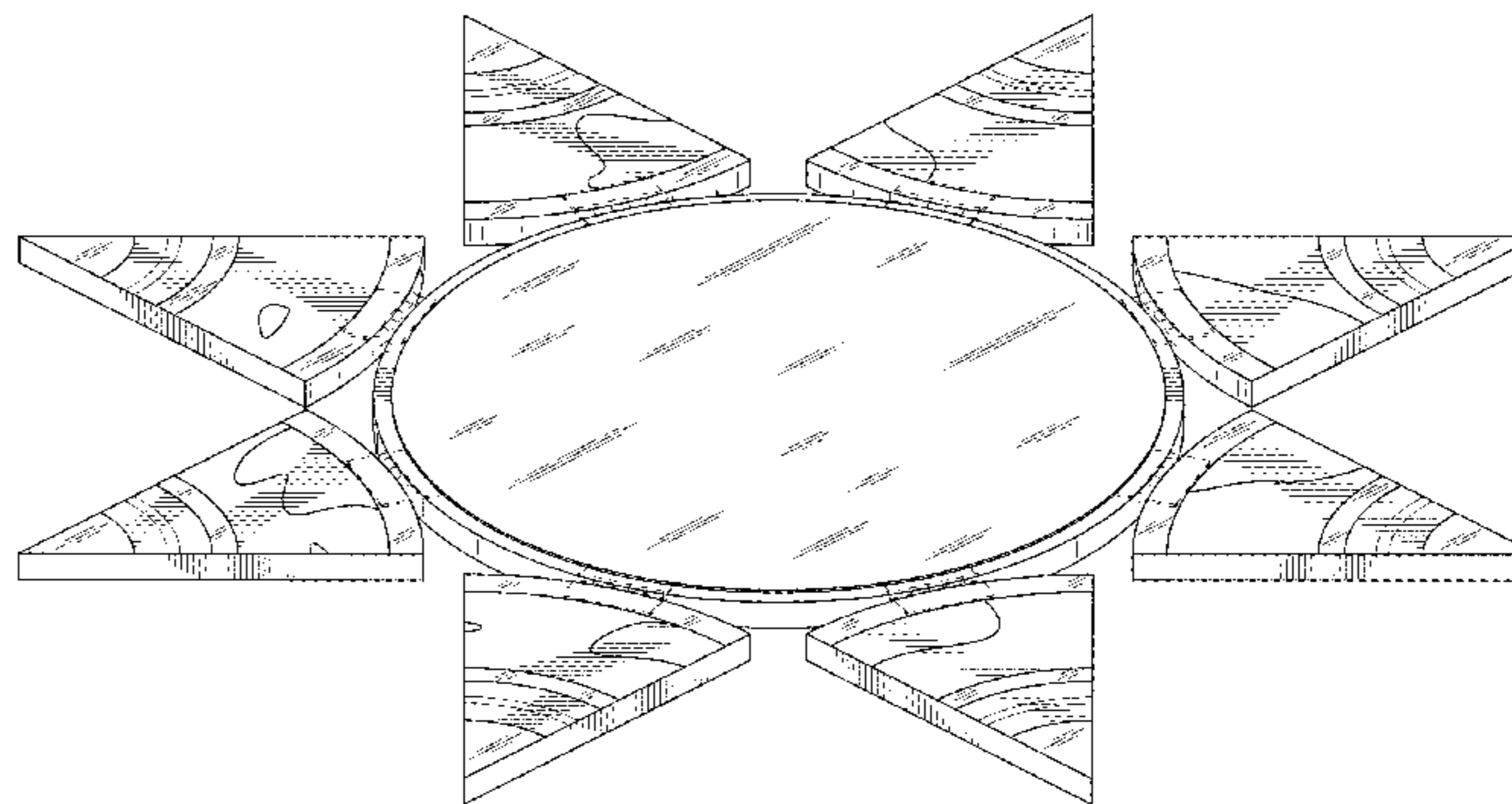
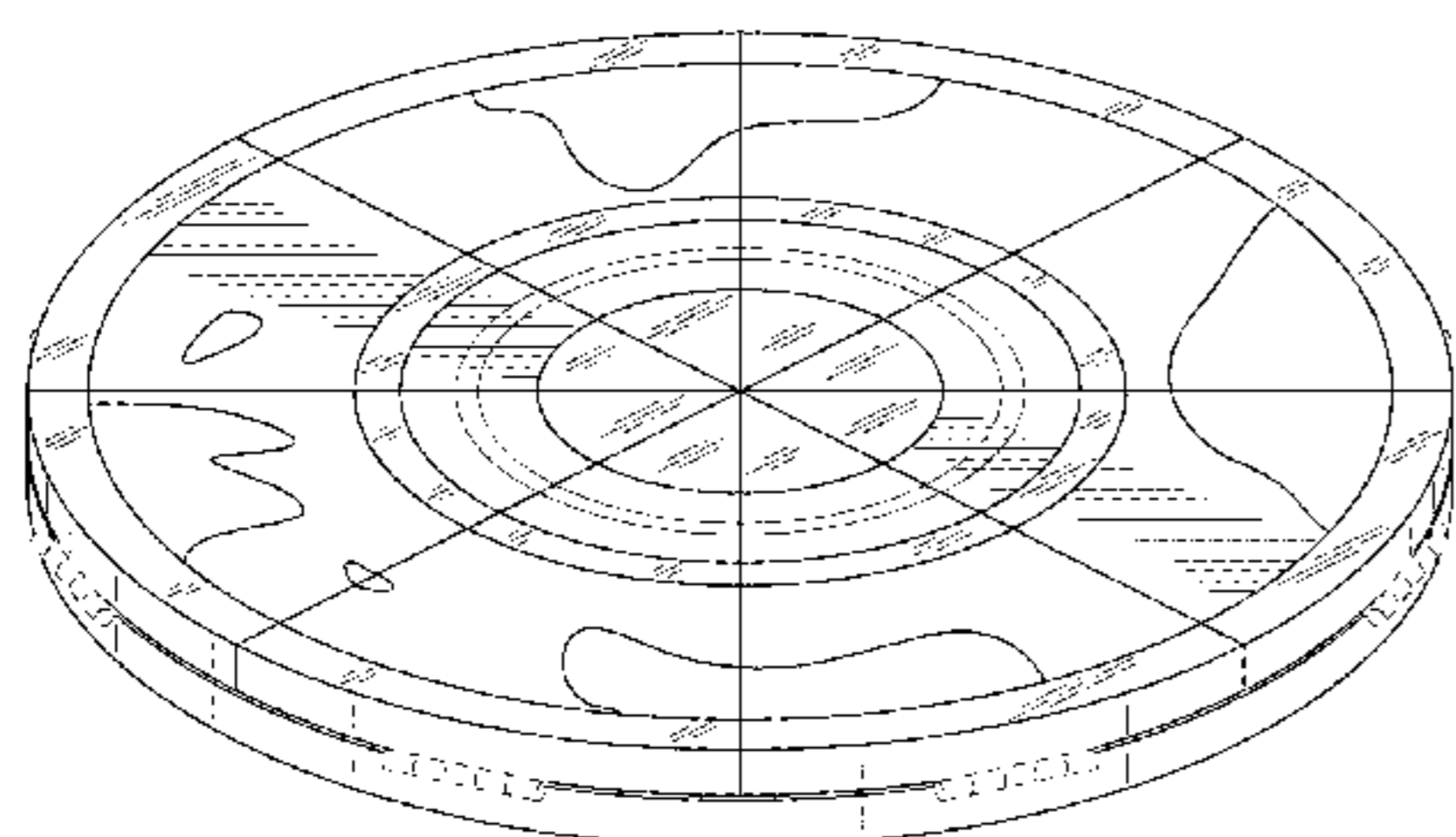
(57) **CLAIM**

The ornamental design for an educational tool for global awareness, as shown and described.

DESCRIPTION

FIG. 1 is a top perspective view of an educational tool for global awareness, showing my new design in a closed position;
FIG. 2 is a bottom perspective view thereof;
FIG. 3 is a top plan view thereof;
FIG. 4 is a bottom plan view thereof;
FIG. 5 is a side elevation view thereof;
FIG. 6 is a top perspective view thereof, shown in a partially open position with additional environment; and,
FIG. 7 is a top perspective view thereof in a fully open position.
The broken lines are directed to environment and form no part of the claimed design.

1 Claim, 7 Drawing Sheets



(56)

References Cited

U.S. PATENT DOCUMENTS

5,415,411 A * 5/1995 Peterson A63F 3/00075
273/237
D406,280 S * 3/1999 Tesaro G09B 5/06
D21/362
D546,390 S * 7/2007 Lin D19/59
7,686,616 B1 * 3/2010 Cloud G09B 27/08
434/137
8,851,477 B2 * 10/2014 Ward G09B 5/06
273/239

FOREIGN PATENT DOCUMENTS

FR 2239924 A5 * 2/1975 G09B 27/08
JP 2014235357 A * 12/2014 G09B 27/08
WO WO-9512872 A1 * 5/1995 G09B 27/08

OTHER PUBLICATIONS

Reed, Angela R., Qualitative Research in Empowering Young Visionaries: Unleashing Young People's Innate Wisdom and Creative Potential, Dissertation Submitted to the Faculty of the California Institute of Integral Studies. 2014, pp. 230-232, USA.

* cited by examiner

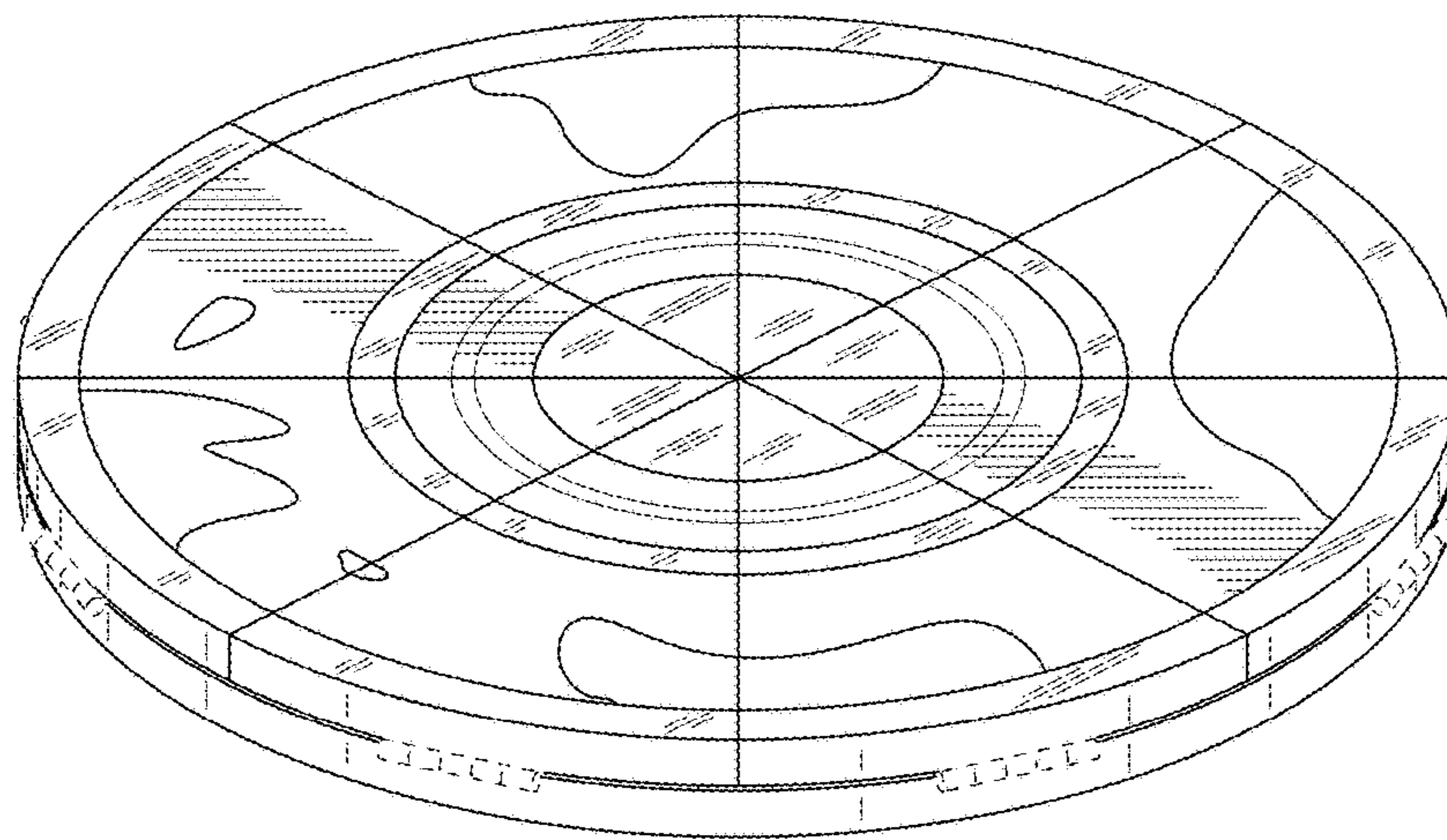


FIG. 1

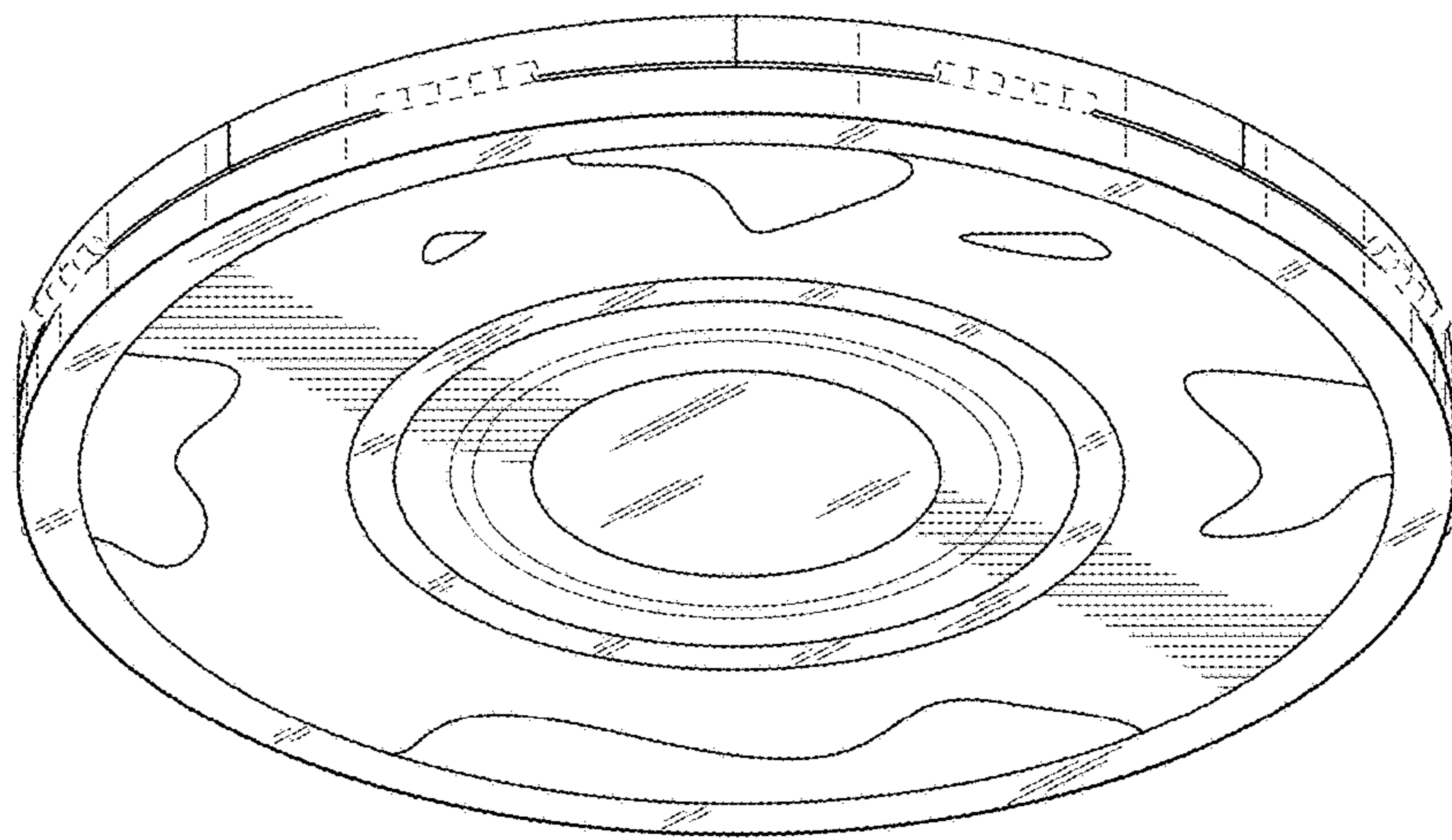


FIG. 2

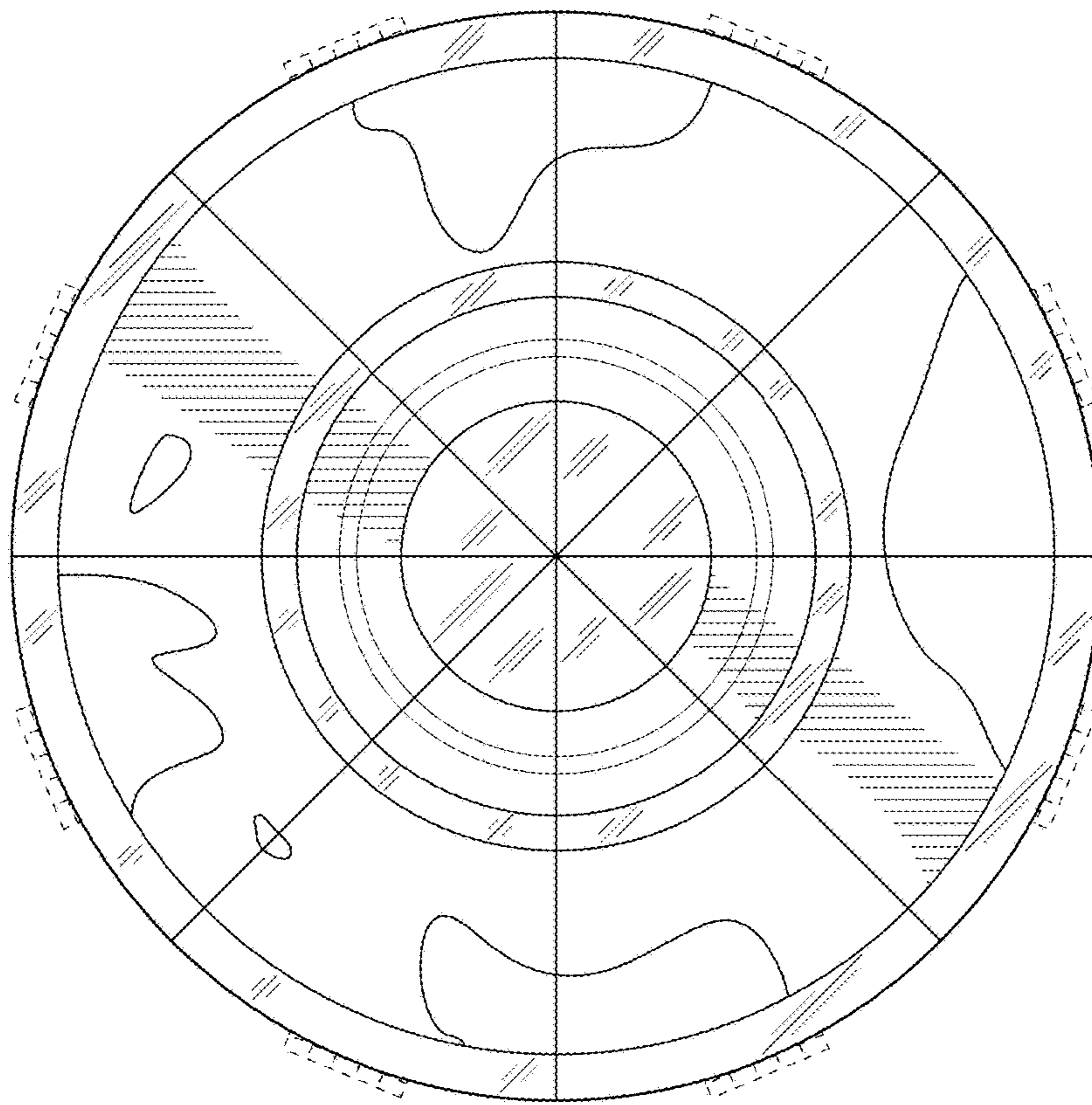


FIG. 3

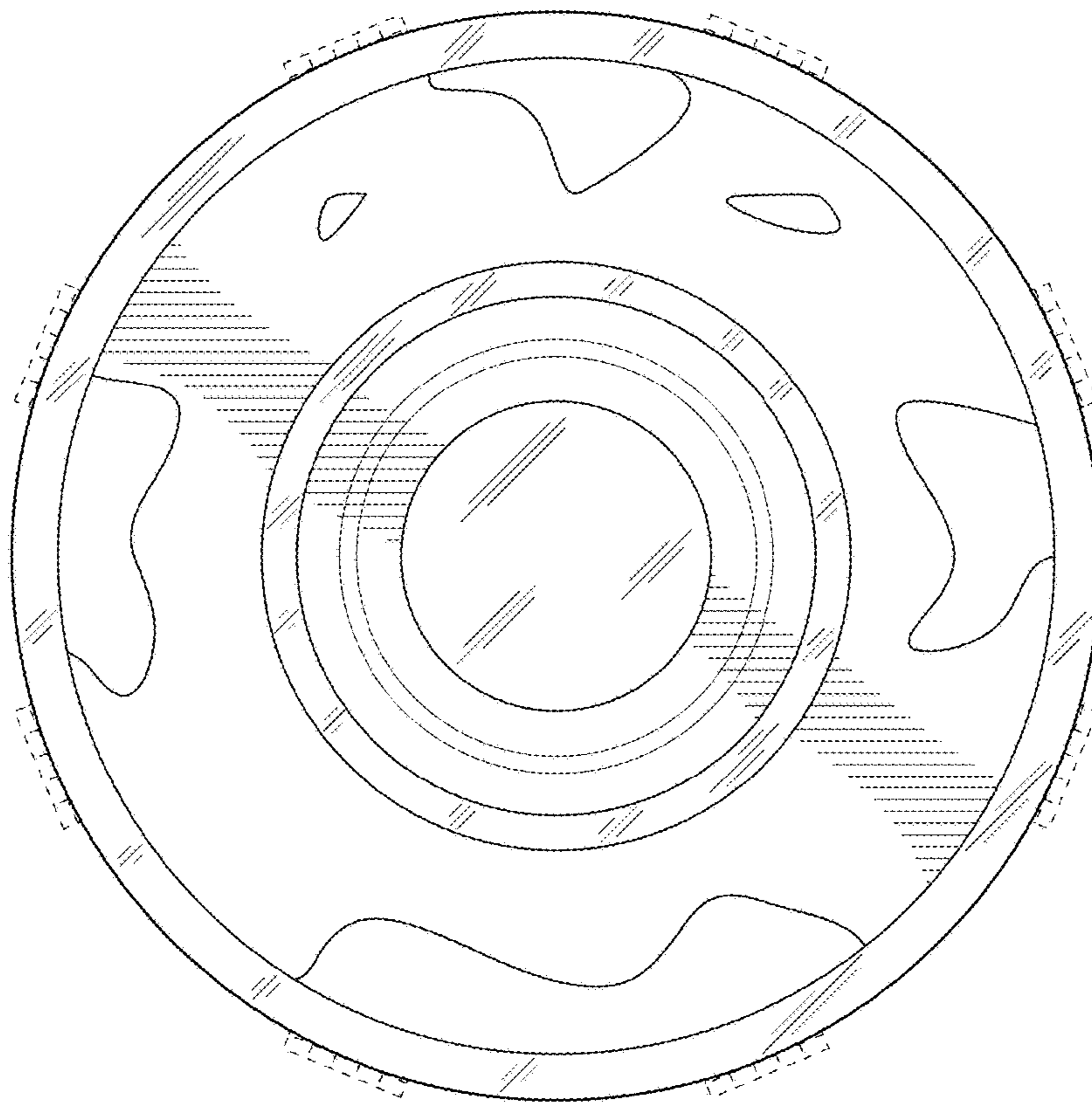


FIG. 4

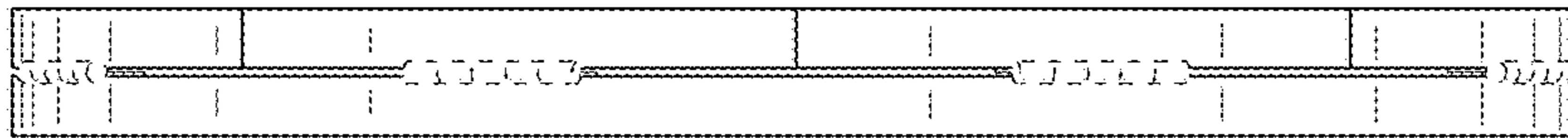


FIG. 5

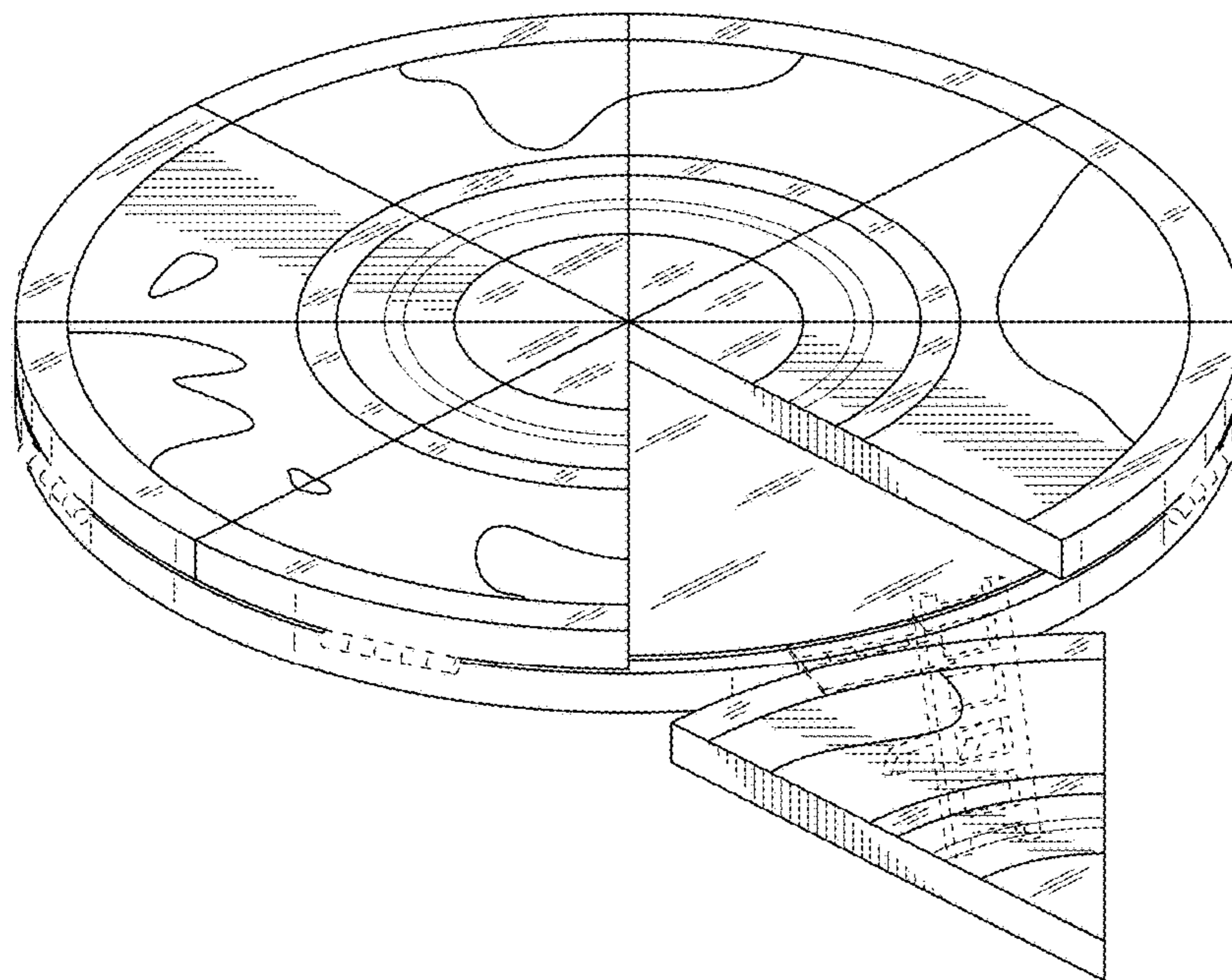


FIG. 6

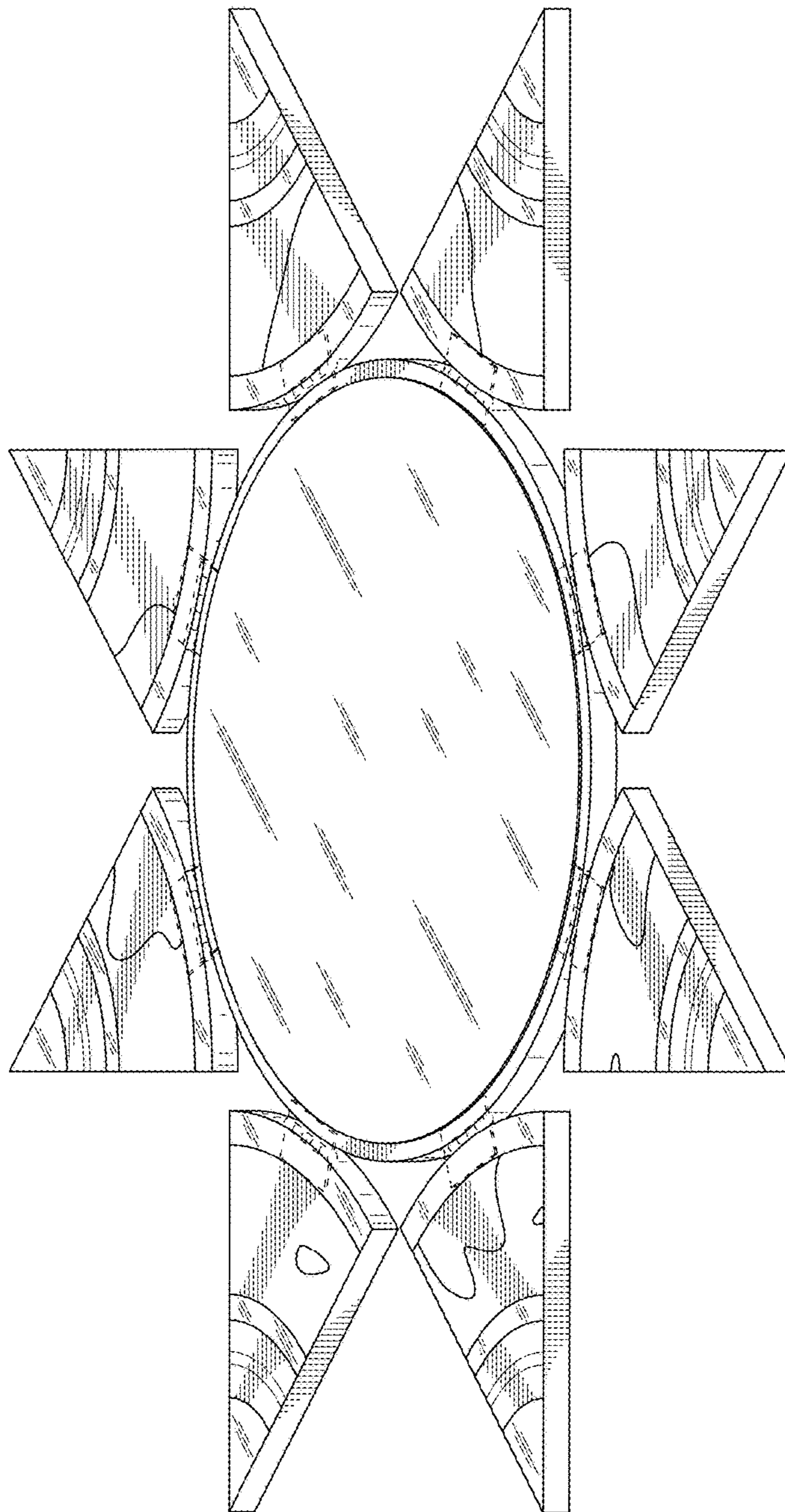


FIG. 7