



US00D863420S

(12) **United States Design Patent**
Misvaer et al.

(10) **Patent No.:** **US D863,420 S**
(45) **Date of Patent:** **** Oct. 15, 2019**

(54) **INVITATION CARD**

(71) Applicant: **Minted, LLC**, San Francisco, CA (US)

(72) Inventors: **Tonia Misvaer**, San Rafael, CA (US);
Mariam B Naficy, San Francisco, CA (US);
Jodi Wahlen-Burry, San Francisco, CA (US)

(73) Assignee: **Minted, LLC**, San Francisco, CA (US)

(**) Term: **15 Years**

(21) Appl. No.: **29/627,856**

(22) Filed: **Nov. 30, 2017**

(51) **LOC (12) Cl.** **19-01**

(52) **U.S. Cl.**
USPC **D19/3**

(58) **Field of Classification Search**
USPC D19/1-34; 40/124.01-124.15, 672, 661,
40/726, 776, 617; 229/72, 92, 92.1,
229/300-303, 74, 75, 92.7, 92.5, 79, 68.1,
229/921, 116.2, 103.3; 283/72, 74, 75,
283/103; 206/449, 312, 232; D21/385;
D20/10, 22, 27, 40, 42, 11;
D14/435-437
CPC B65D 27/00; B65D 27/04; B65D 27/06;
B65D 27/30; B65D 27/14; G09F 1/04;
B42D 15/00; B42D 15/022; B42D
15/042; B42D 15/027; B42D 15/045
See application file for complete search history.

(56) **References Cited**

U.S. PATENT DOCUMENTS

D339,604 S *	9/1993	Gerber-Phinny	D19/3
D504,462 S *	4/2005	Mori	D19/3
D536,375 S *	2/2007	Potter	D19/3
D608,825 S *	1/2010	Brett	D19/3
D616,930 S *	6/2010	Engel	D19/3

D625,757 S *	10/2010	Schluger	D19/3
D661,349 S *	6/2012	Picard	D19/3
D693,142 S *	11/2013	Bohl	D19/3
D728,683 S *	5/2015	Glass	D19/3
D814,563 S *	4/2018	Bartos	D19/3

OTHER PUBLICATIONS

Printout of webpage <http://www.pinterest.com/Invites4Less/seal-n-send-wedding-invitations>, entitled "Seal 'N Send Wedding Invitations", printed on Nov. 22, 2017.

(Continued)

Primary Examiner — Abraham Bahta

(74) *Attorney, Agent, or Firm* — Jones Day

(57) **CLAIM**

The ornamental design for an invitation card, as shown and described.

DESCRIPTION

FIG. 1 is a front view of an invitation card according to our new design.

FIG. 2 is a rear view thereof.

FIG. 3 is a top view thereof.

FIG. 4 is a bottom view thereof.

FIG. 5 is a left side view thereof, with the right side view being a mirror image.

FIG. 6 is a perspective view thereof; wherein the invitation card is in a partially bent configuration.

FIG. 7 is a perspective view thereof; wherein the invitation card is in a semi-folded configuration.

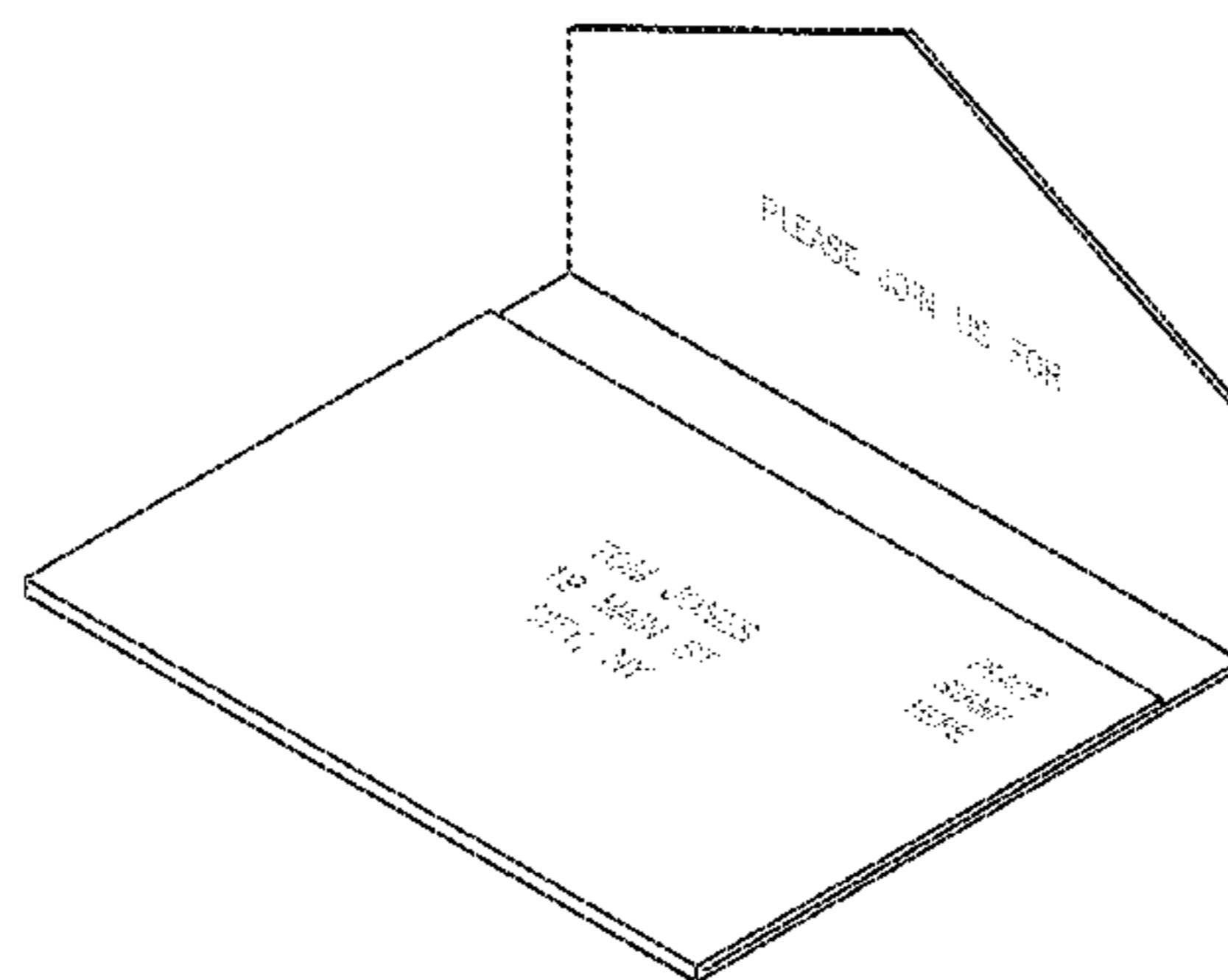
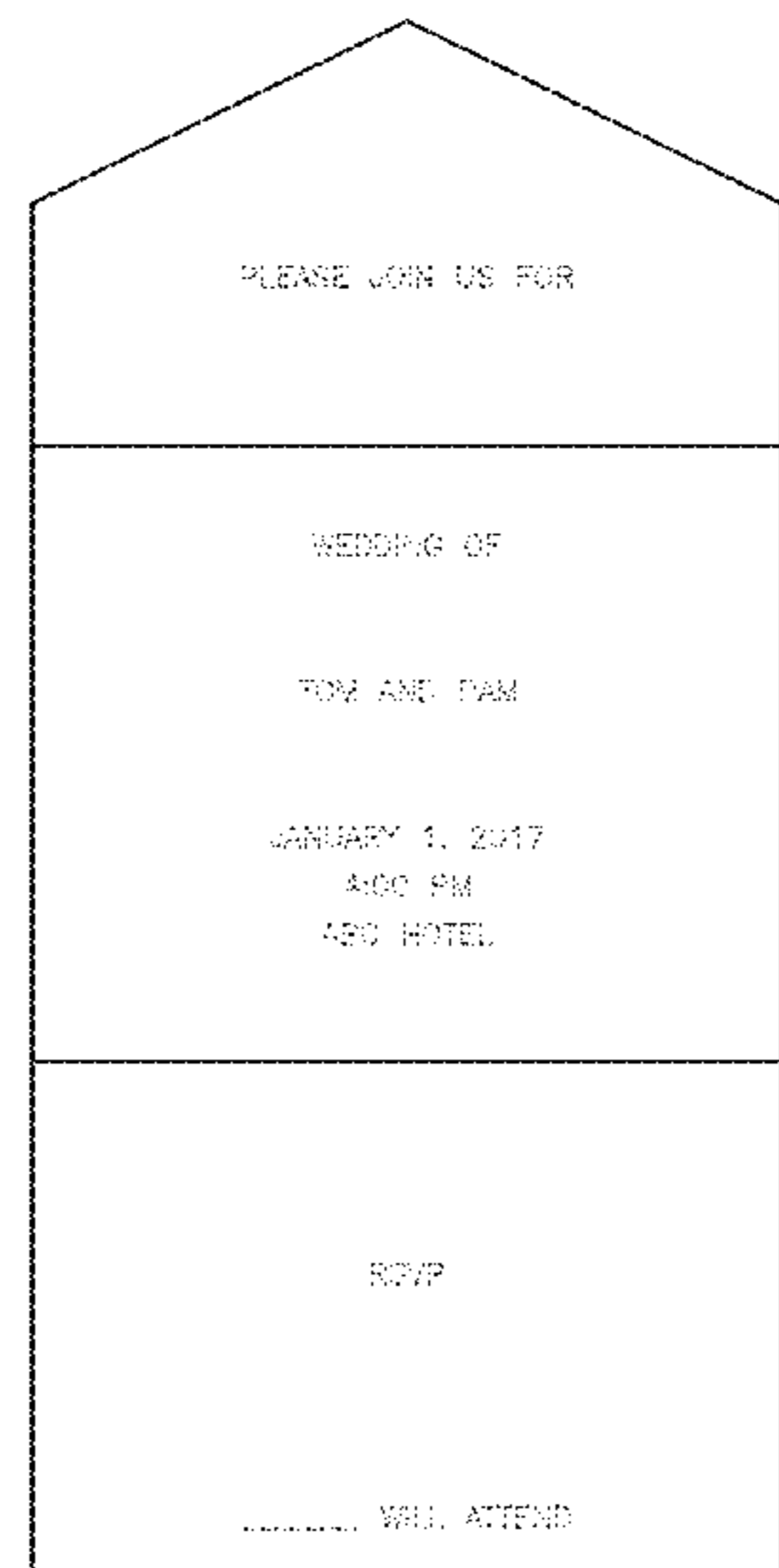
FIG. 8 is a perspective view thereof; wherein the invitation card is in a fully-folded configuration.

FIG. 9 is a front view of FIG. 8; and,

FIG. 10 is a rear view of FIG. 8.

The broken line showing of portions of the invitation card is included for the purpose of illustrating environmental structure and forms no part of the claimed design.

1 Claim, 3 Drawing Sheets



(56)

References Cited

OTHER PUBLICATIONS

Printout of webpage <http://www.pinterest.com/pin/244812929722190674>, entitled "Explore Seals, Art Deco, and more", printed on Nov. 22, 2017.

Printout of webpage <http://wedding.invitations4less.com/Seal-n-Send-Wedding-Invitations.asp>, entitled "Wedding Invitations4Less.com", printed on Nov. 22, 2017.

* cited by examiner

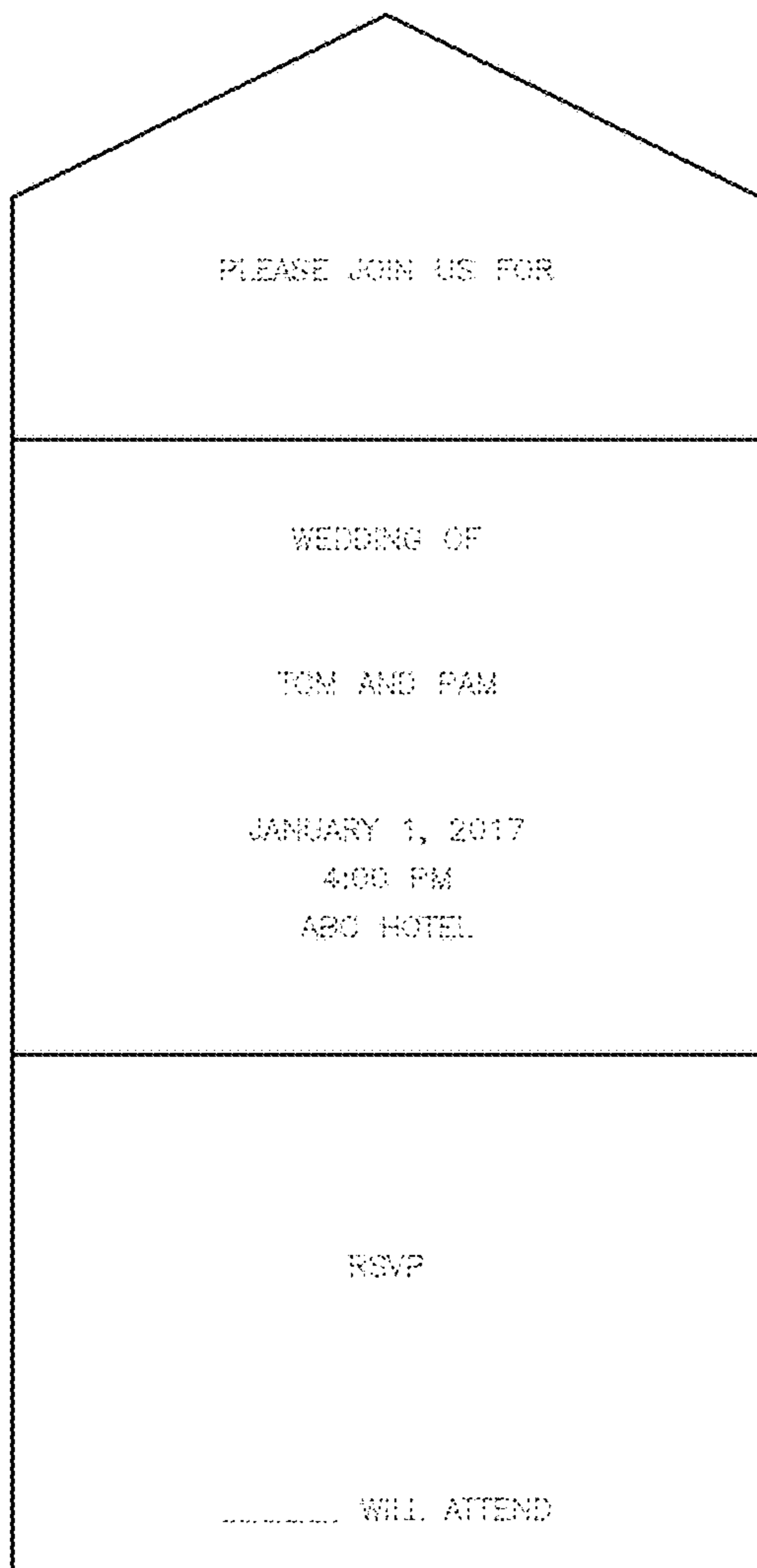


FIG. 1

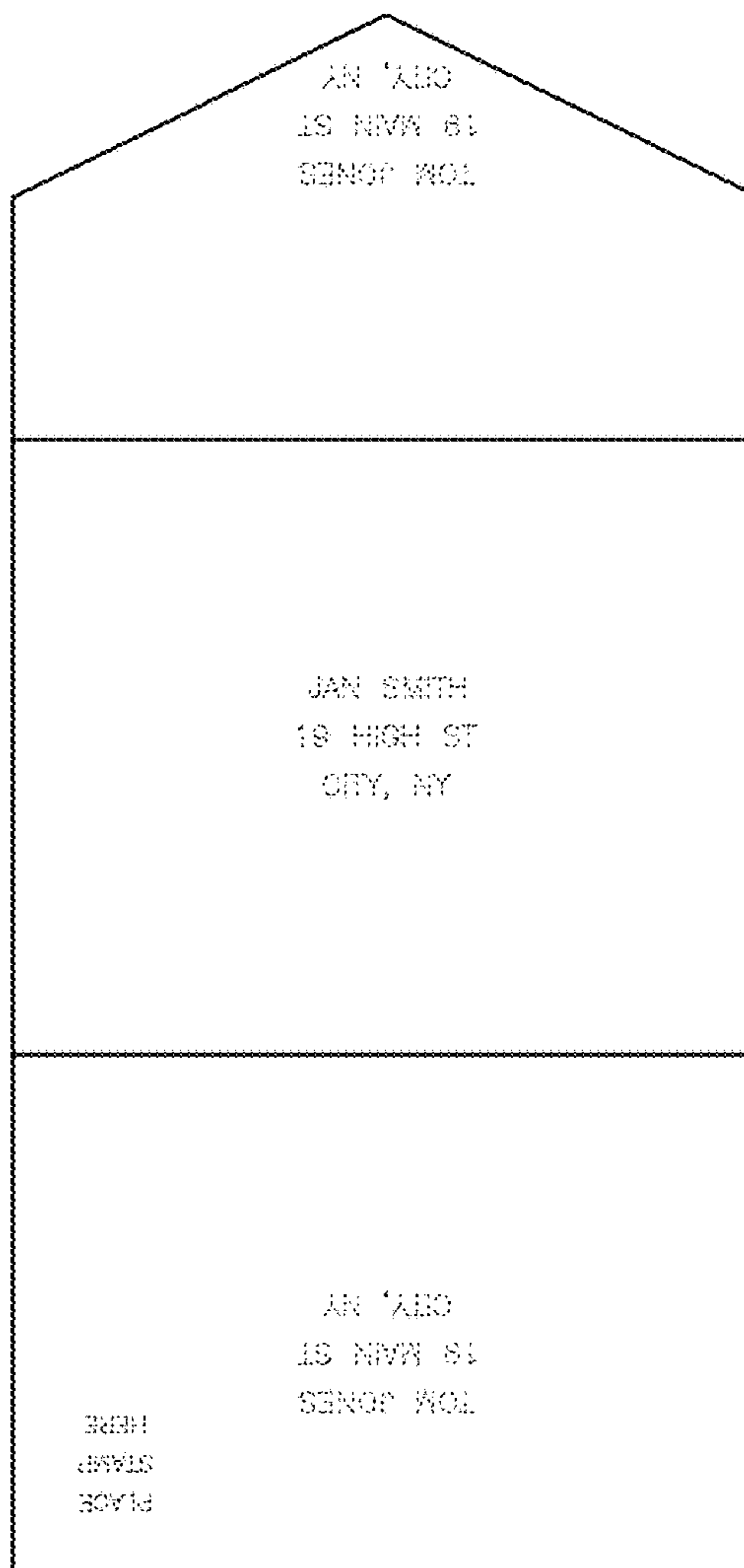


FIG. 2



FIG. 3



FIG. 4



FIG. 5

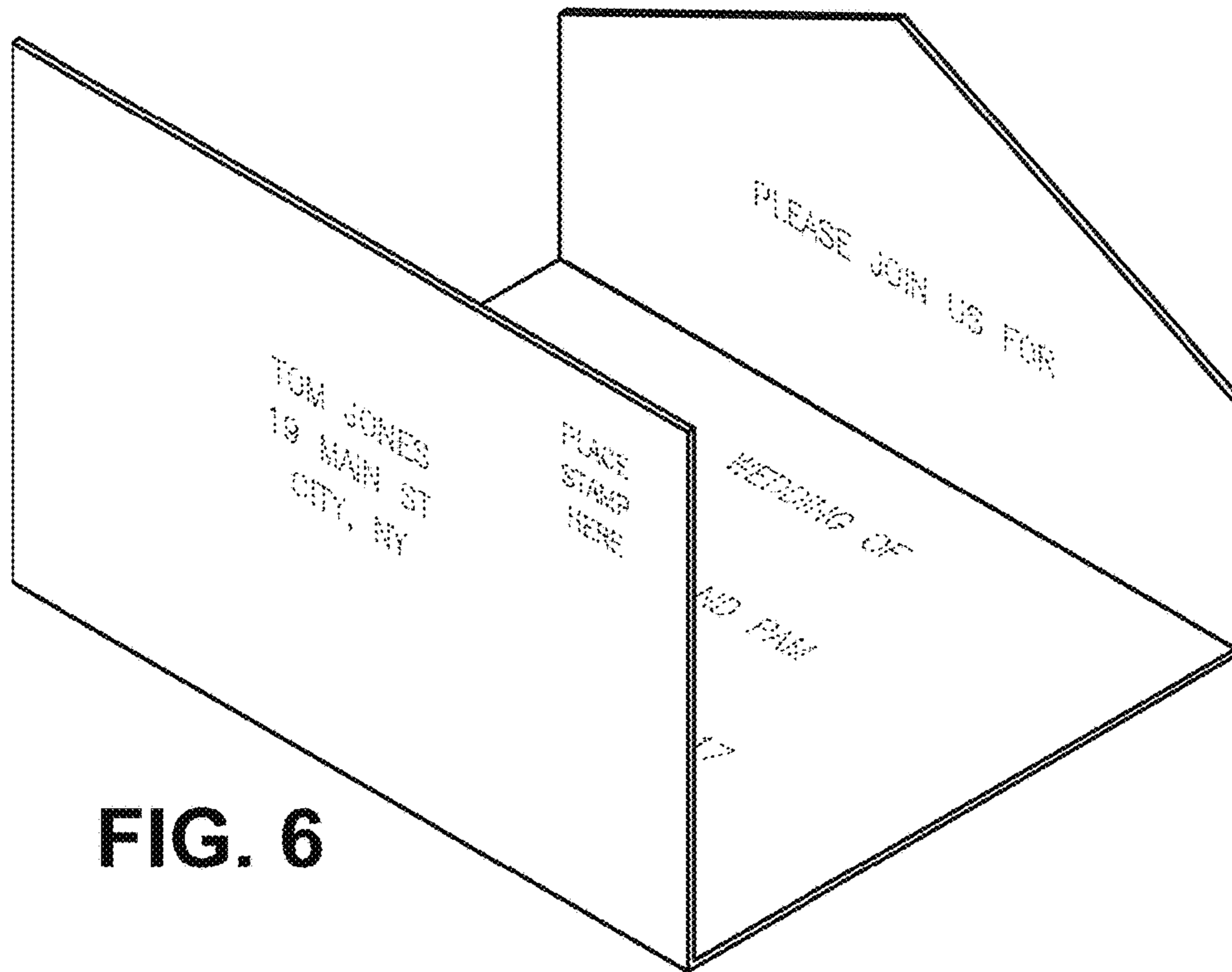


FIG. 6

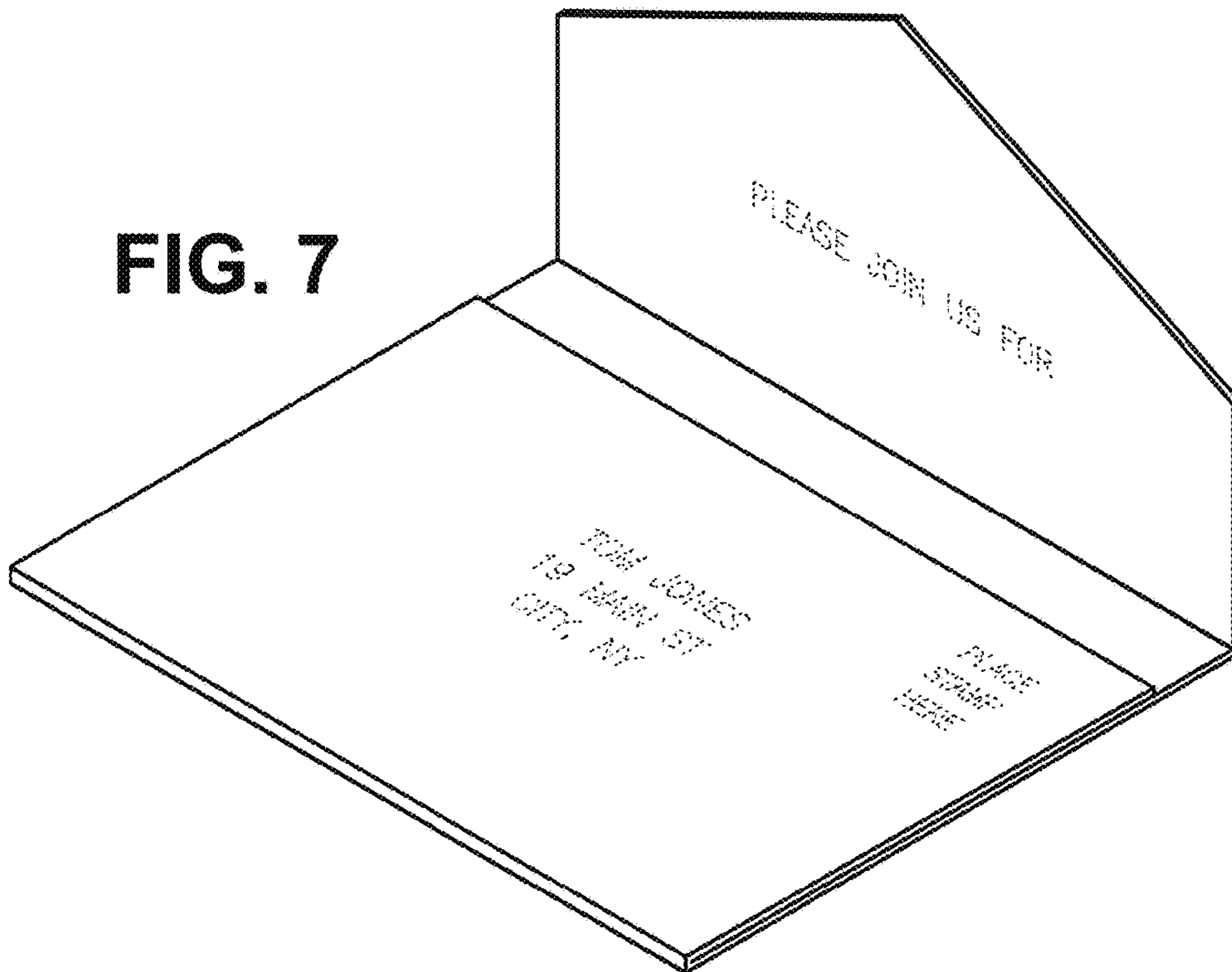


FIG. 7

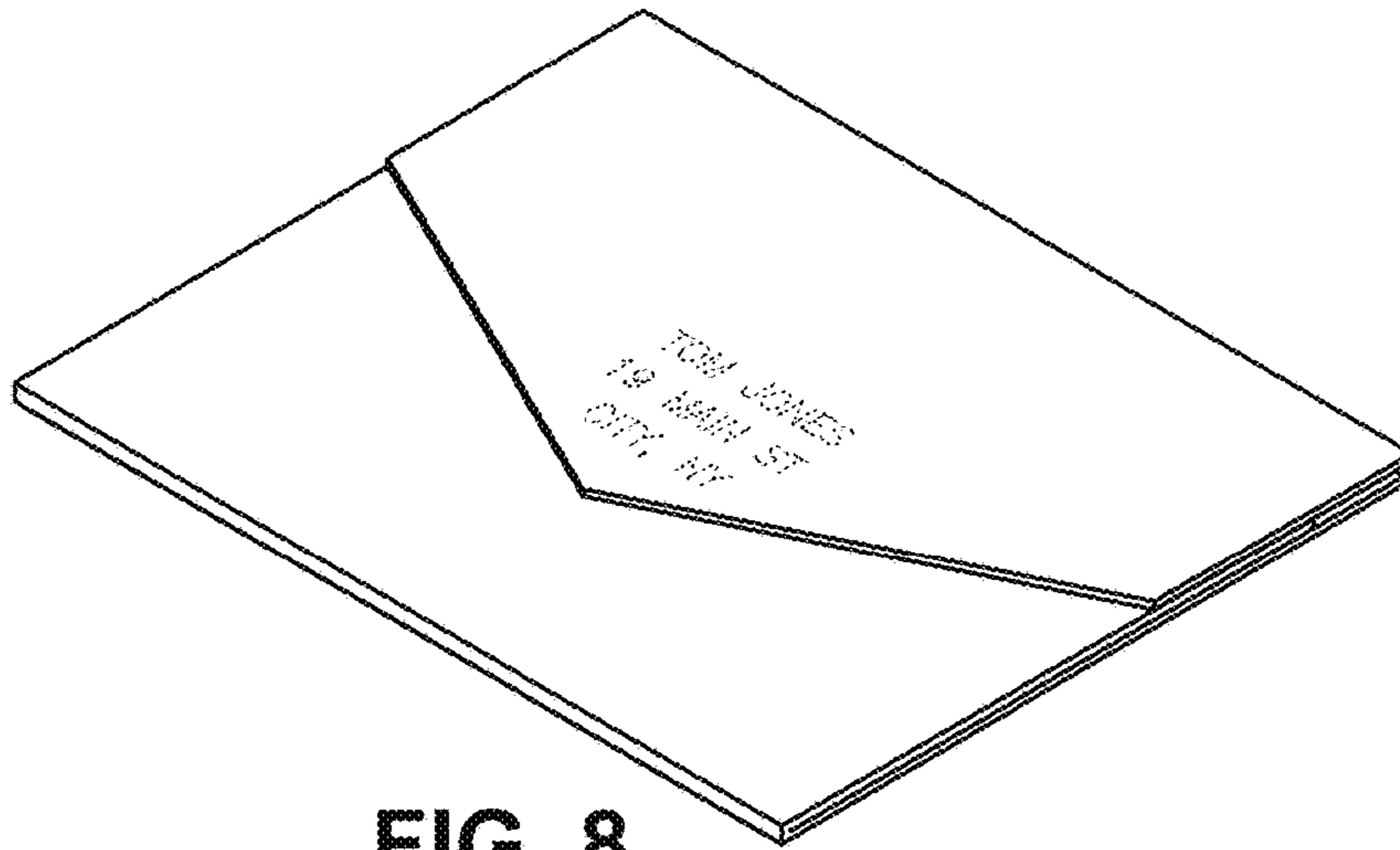


FIG. 8

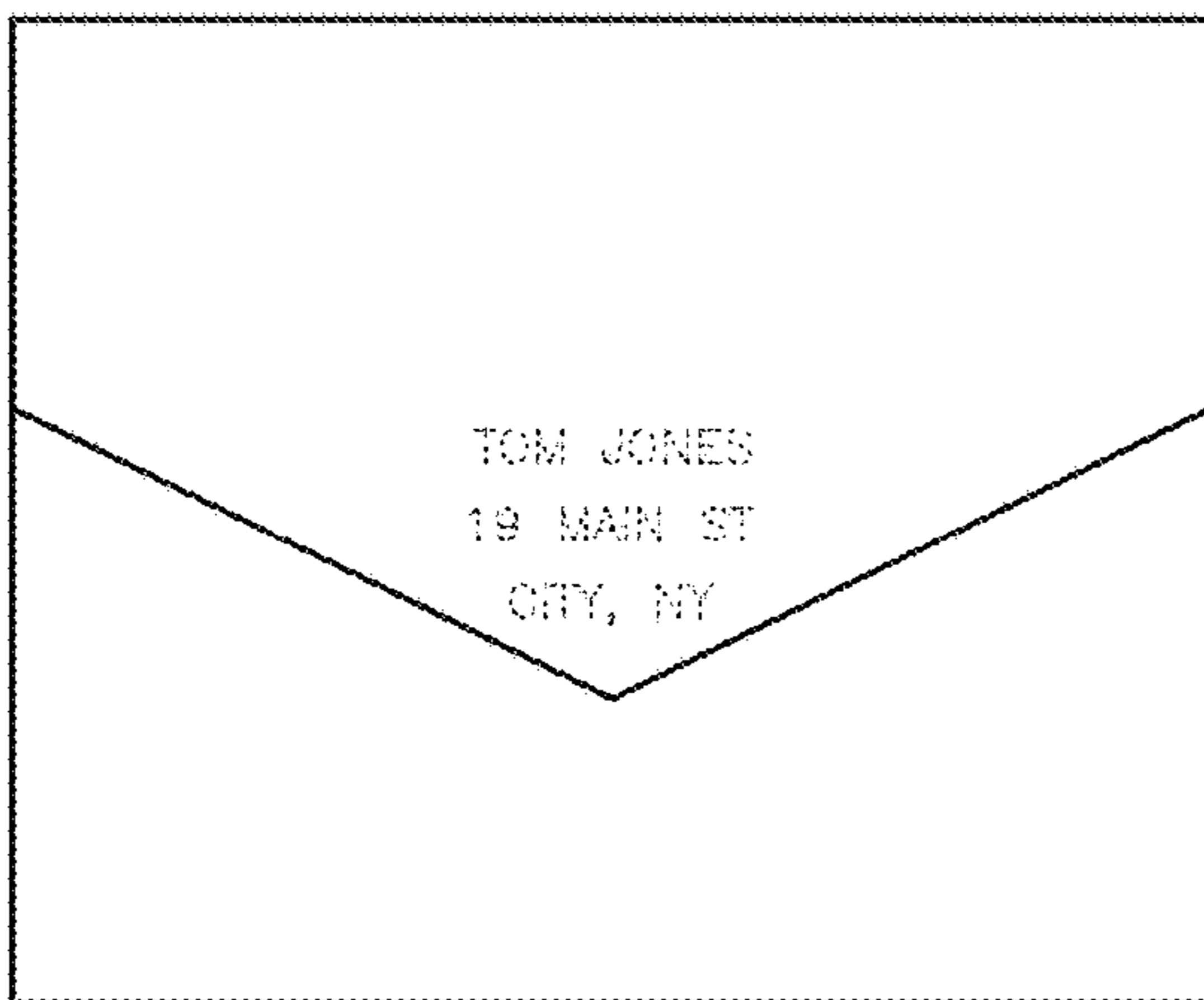


FIG. 9

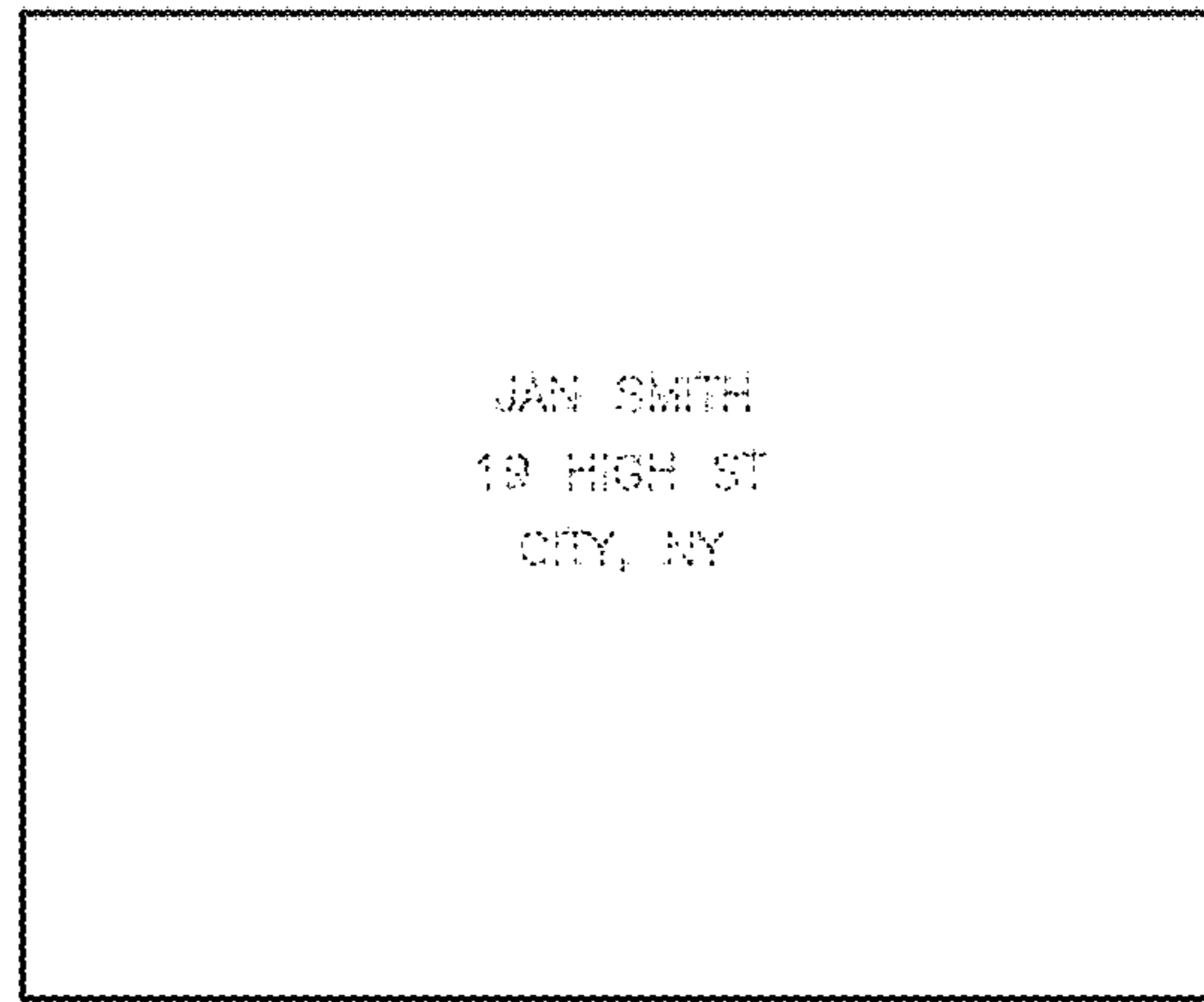


FIG. 10