



US00D863419S

(12) **United States Design Patent** (10) **Patent No.:** **US D863,419 S**
Oguma et al. (45) **Date of Patent:** **** Oct. 15, 2019**

(54) **FLANGE COUPLING FOR PROCESS CARTRIDGE FOR IMAGE FORMING APPARATUS**

(71) Applicant: **CANON KABUSHIKI KAISHA**, Tokyo (JP)

(72) Inventors: **Toru Oguma**, Shizuoka-ken (JP);
Naoya Asanuma, Shizuoka-ken (JP);
Tetsuya Numata, Shizuoka-ken (JP);
Takuya Kawakami, Shizuoka-ken (JP);
Yohei Kusano, Shizuoka-ken (JP);
Daisuke Hiramatsu, Tokyo (JP);
Takayuki Yada, Shizuoka-ken (JP);
Takatoshi Hamada, Shizuoka-ken (JP);
Go Torii, Shizuoka-ken (JP); **Hiroaki Noshō**, Shizuoka-ken (JP)

(73) Assignee: **Canon Kabushiki Kaisha**, Tokyo (JP)

(**) Term: **15 Years**

(21) Appl. No.: **29/672,794**

(22) Filed: **Dec. 10, 2018**

Related U.S. Application Data

(62) Division of application No. 35/503,867, filed on Apr. 26, 2017 (U.S. filing date under 35 U.S.C. 384), and having an international filing date of Apr. 26, 2017.

(30) **Foreign Application Priority Data**

Oct. 31, 2016 (JP) 2016-023601

(51) **LOC (12) Cl.** **16-03**

(52) **U.S. Cl.**
USPC **D18/43**

(58) **Field of Classification Search**
USPC D18/40, 43; D14/462, 471
CPC G03G 21/16; G03G 21/1814; G03G 15/0142; G03G 15/00; B41J 2/17503
See application file for complete search history.

(56) **References Cited**

U.S. PATENT DOCUMENTS

D614,691 S	4/2010	Abe et al.	
D620,522 S *	7/2010	Amano	D18/43
D632,731 S	2/2011	Abe et al.	
D636,813 S *	4/2011	Kikuchi	D18/43
D674,004 S *	1/2013	Shimomura	D18/43
D739,890 S *	9/2015	Ogawa	D18/43
D739,891 S *	9/2015	Ogawa	D18/43
9,651,916 B2	5/2017	Kawakami et al.	
D791,866 S *	7/2017	Kamoshida	D18/43
D794,117 S *	8/2017	Suzuki	D18/43
D795,339 S *	8/2017	Kuboki	D18/43
D812,680 S *	3/2018	Takiguchi	D18/43

FOREIGN PATENT DOCUMENTS

JP 2016099403 A 5/2016

* cited by examiner

Primary Examiner — Robert M. Spear

(74) *Attorney, Agent, or Firm* — Venable LLP

(57) **CLAIM**

The ornamental design for a flange coupling for process cartridge for image forming apparatus, as shown and described.

DESCRIPTION

- FIG. 1: Front
- FIG. 2: Back
- FIG. 3: Top
- FIG. 4: Bottom
- FIG. 5: Left
- FIG. 6: Right
- FIG. 7: Perspective; and,
- FIG. 8: Perspective.

1 Claim, 8 Drawing Sheets

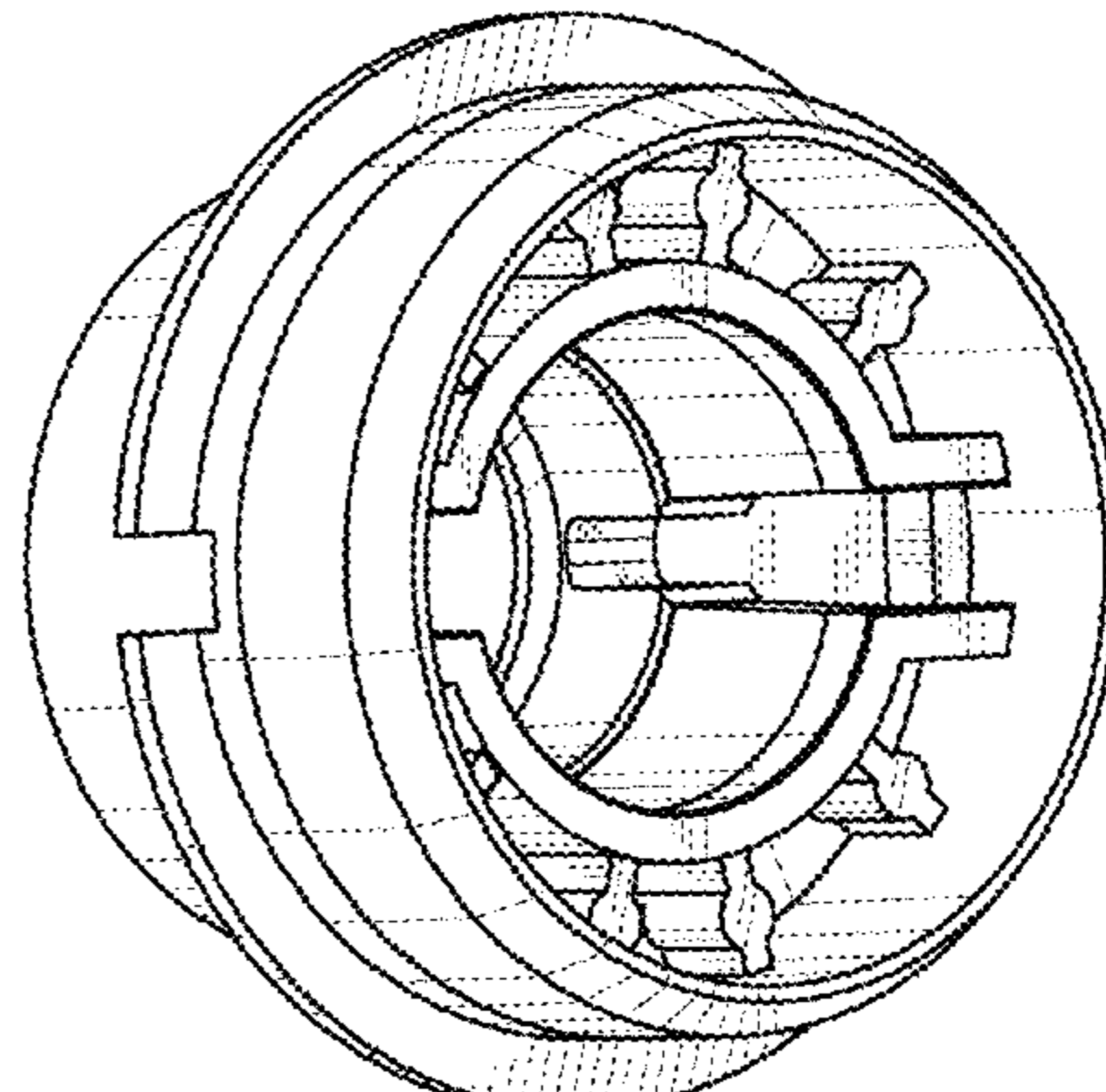
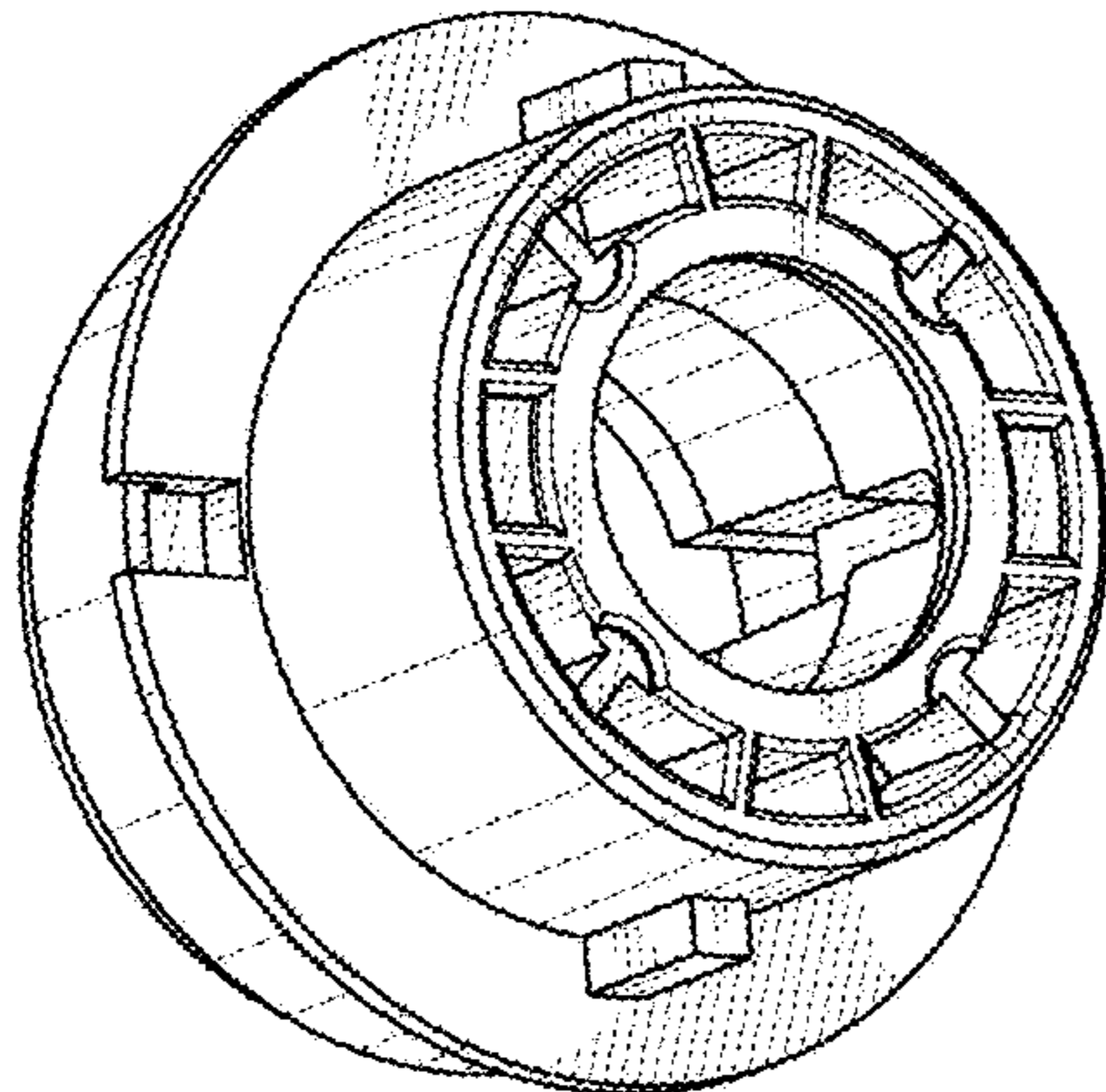


Fig. 1

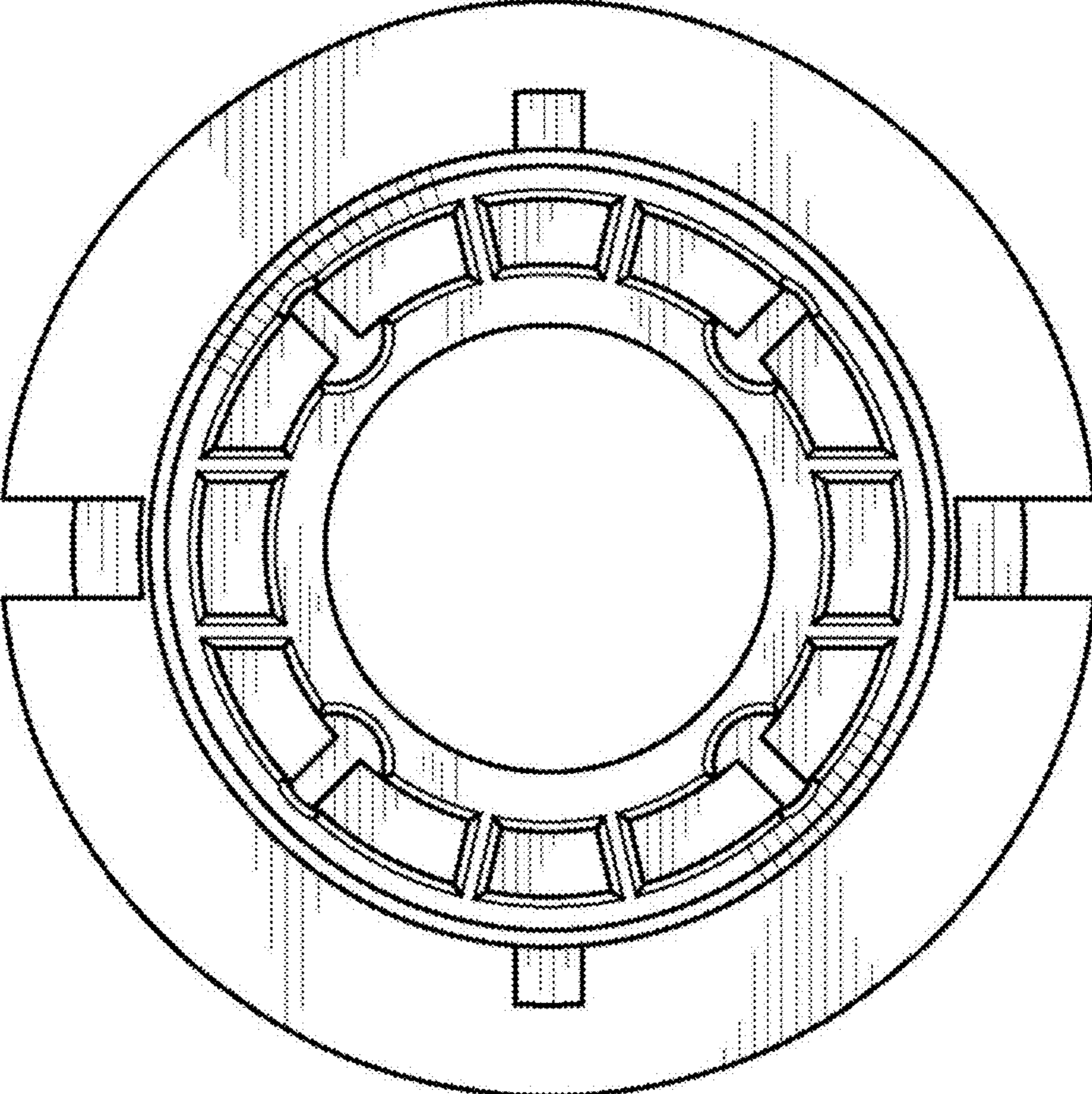


Fig. 2

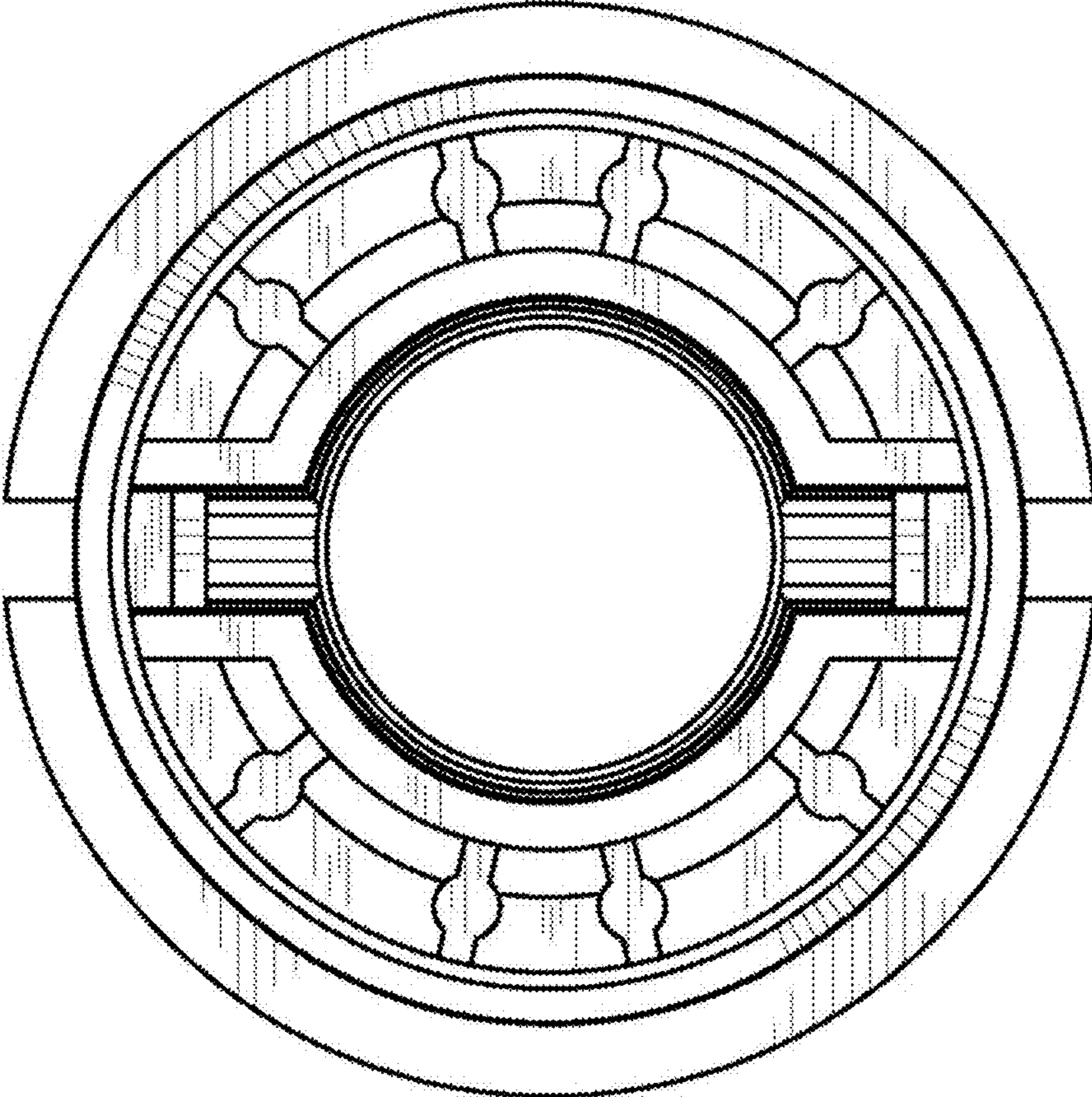


Fig. 3

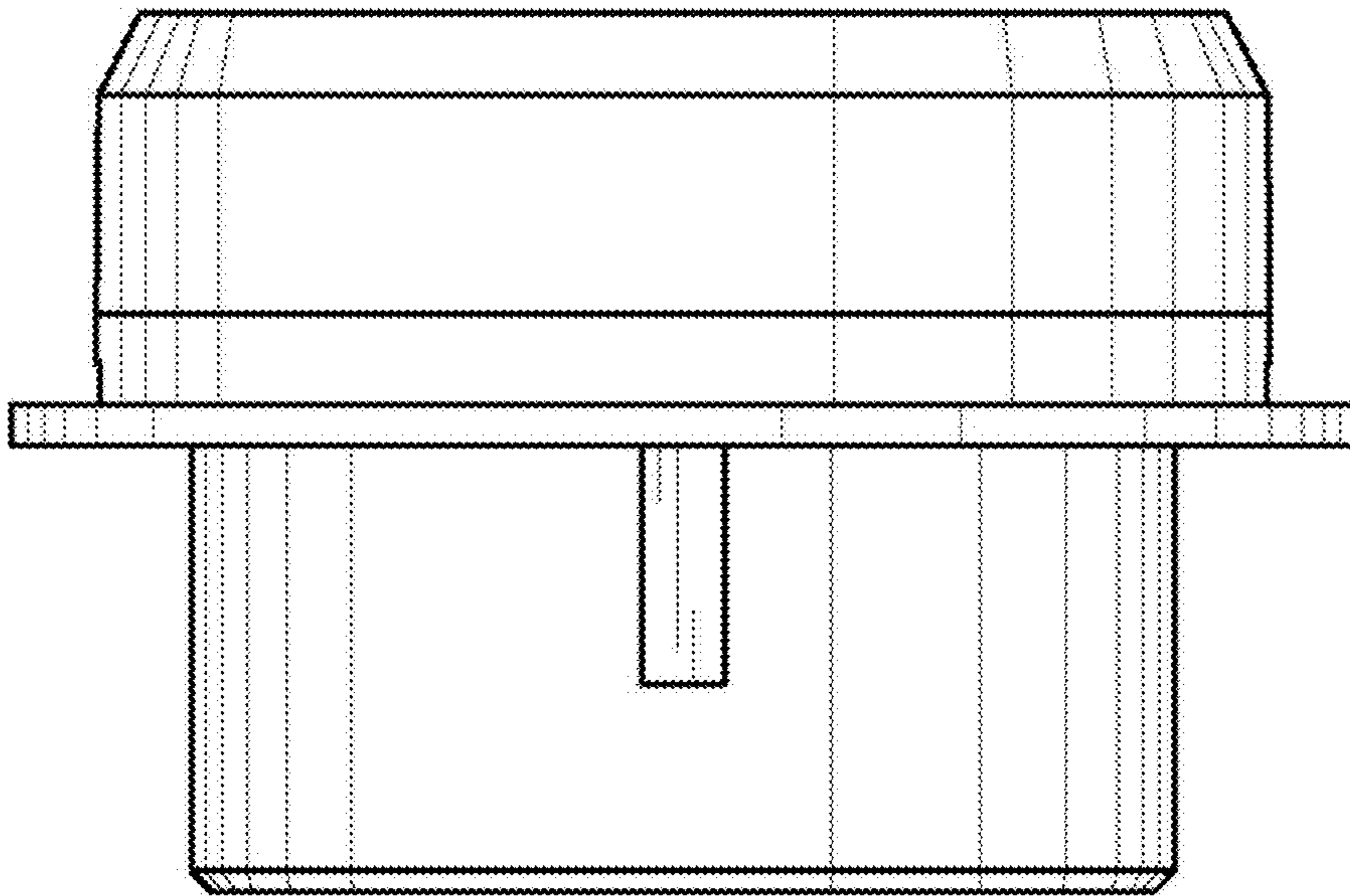


Fig. 4

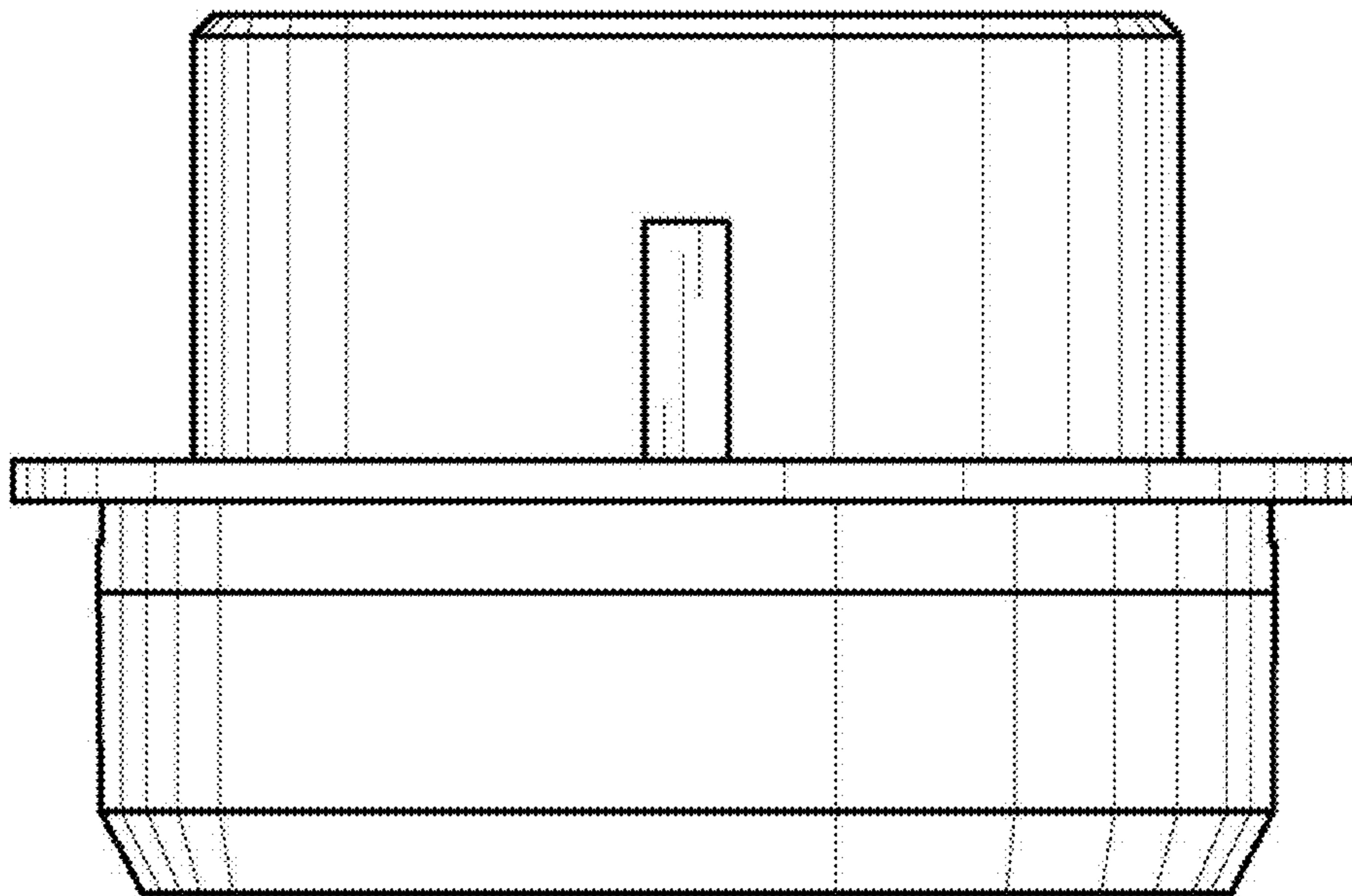


Fig. 5

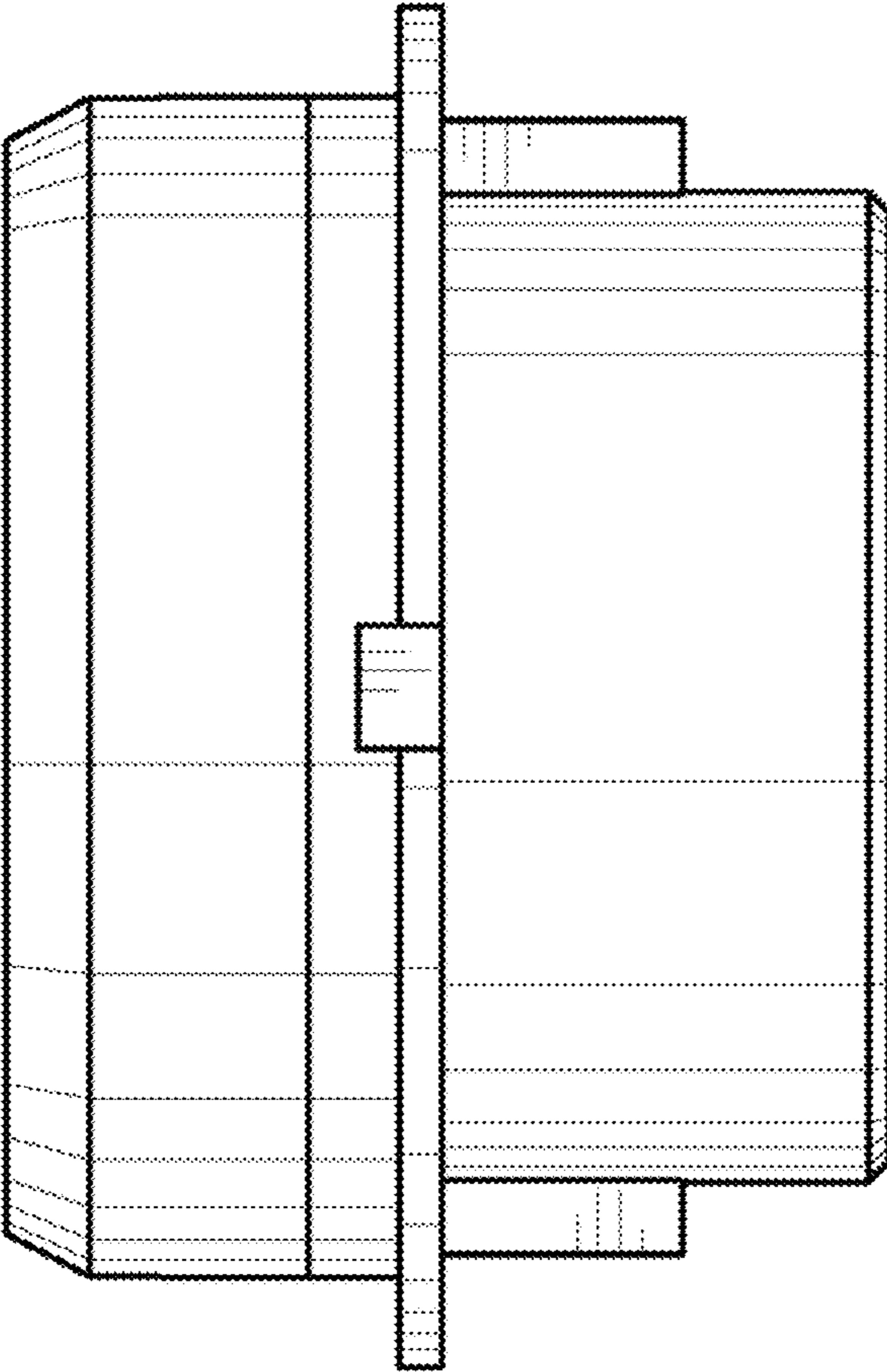


Fig. 6

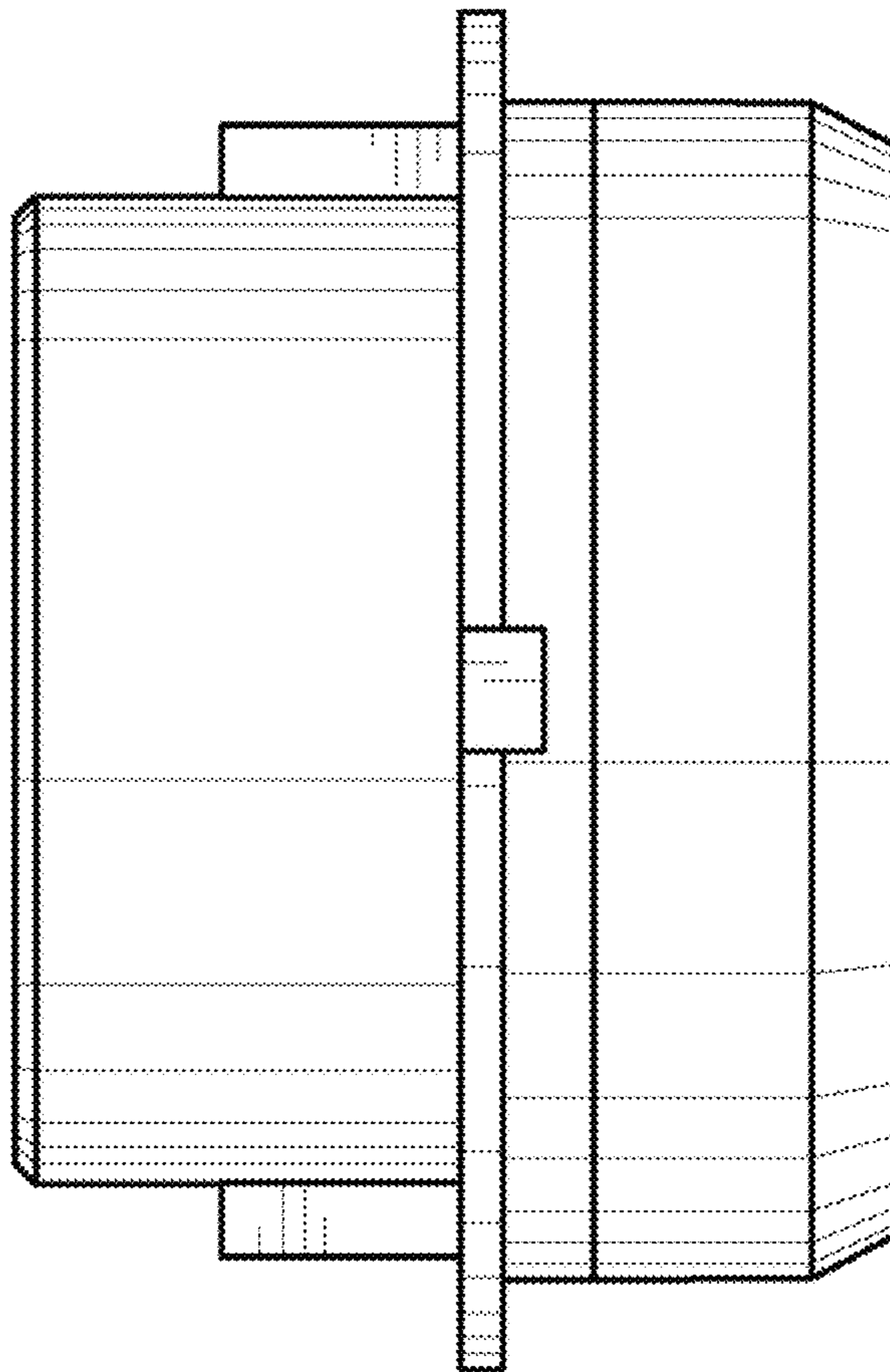


Fig. 7

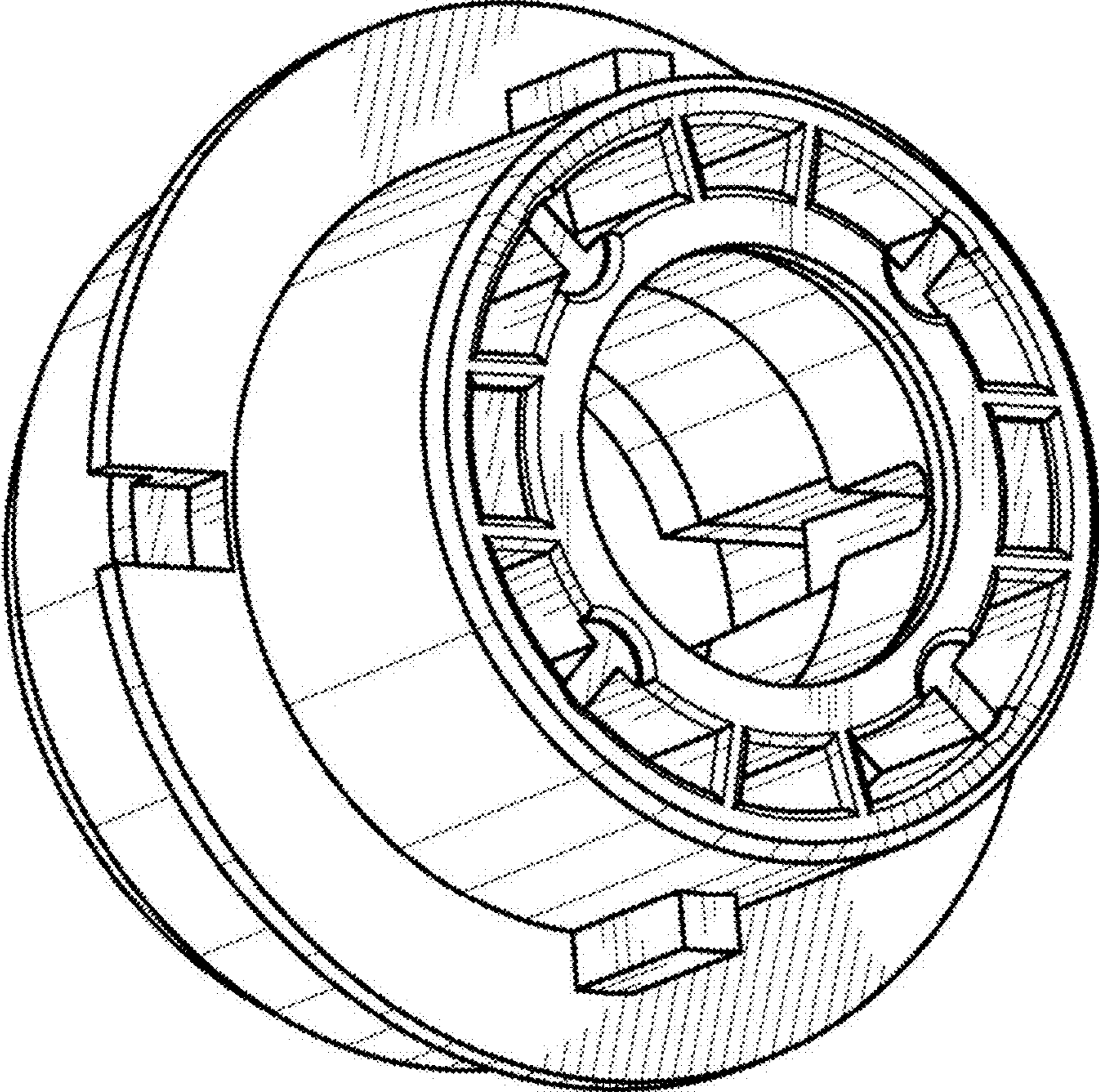


Fig. 8

