



US00D863417S

(12) **United States Design Patent** (10) **Patent No.:** **US D863,417 S**
Jia (45) **Date of Patent:** **** Oct. 15, 2019**

(54) **TUNER**

(71) Applicant: **He Jia**, Guangdong (CN)

(72) Inventor: **He Jia**, Guangdong (CN)

(73) Assignee: **Swift Technology Co., Ltd.**, Shenzhen (CN)

(**) Term: **15 Years**

(21) Appl. No.: **29/622,731**

(22) Filed: **Oct. 19, 2017**

(51) **LOC (12) Cl.** **17-03**

(52) **U.S. Cl.**
USPC **D17/20**

(58) **Field of Classification Search**
USPC D17/14, 15, 17, 18, 19, 20, 99, 21;
D21/405, 483, 406; D8/396, 395;
D26/37, 38, 49
CPC .. G10D 1/00; G10D 1/02; G10D 1/08; G10D
1/06; G10D 3/143; G10D 3/14; G10D
3/043; G10D 3/146; G10D 3/04
See application file for complete search history.

(56) **References Cited**

U.S. PATENT DOCUMENTS

D403,737 S *	1/1999	Howe	D22/134
D563,004 S *	2/2008	Biglarians	D26/38
D578,687 S *	10/2008	Hong	D26/37
D604,760 S	11/2009	Small		
D624,677 S *	9/2010	Deguglimo	D26/49
D674,946 S *	1/2013	Bertken	D26/49
D688,301 S *	8/2013	Ando	D17/20
D706,969 S *	6/2014	Casciotti	D26/49

D719,553 S *	12/2014	Noto	D14/226
D791,221 S	7/2017	Slaton		
2005/0087060 A1 *	4/2005	Taku	G10G 7/02 84/455

OTHER PUBLICATIONS

Amazon, SHCS 100 Sledgehammer Tuner, posted Jun. 7, 2016, [online], [site visited Jul. 25, 2018]. Available from Internet, <URL: https://www.amazon.com/Korg-SHCS100-Sledgehammer-Custom-Guitar/dp/B0167VYWW2/ref=sr_1_51?ie=UTF8&qid=1532540140&sr=8-51&keywords=KORG+TUNER> (Year: 2016).*
Beretta USA, Beretta USB Mini Flashlight, reviewed Jan. 22, 2015, [online], [site visited Jul. 25, 2018]. Available from Internet, <URL: <http://www.berettausa.com/en-us/beretta-mini-usb-flashlight-black/usbflash/#tab-reviews>> (Year: 2015).*

(Continued)

Primary Examiner — Sheryl Lane
Assistant Examiner — Samantha N Wood
(74) *Attorney, Agent, or Firm* — Minder Law Group;
Willy H. Wong

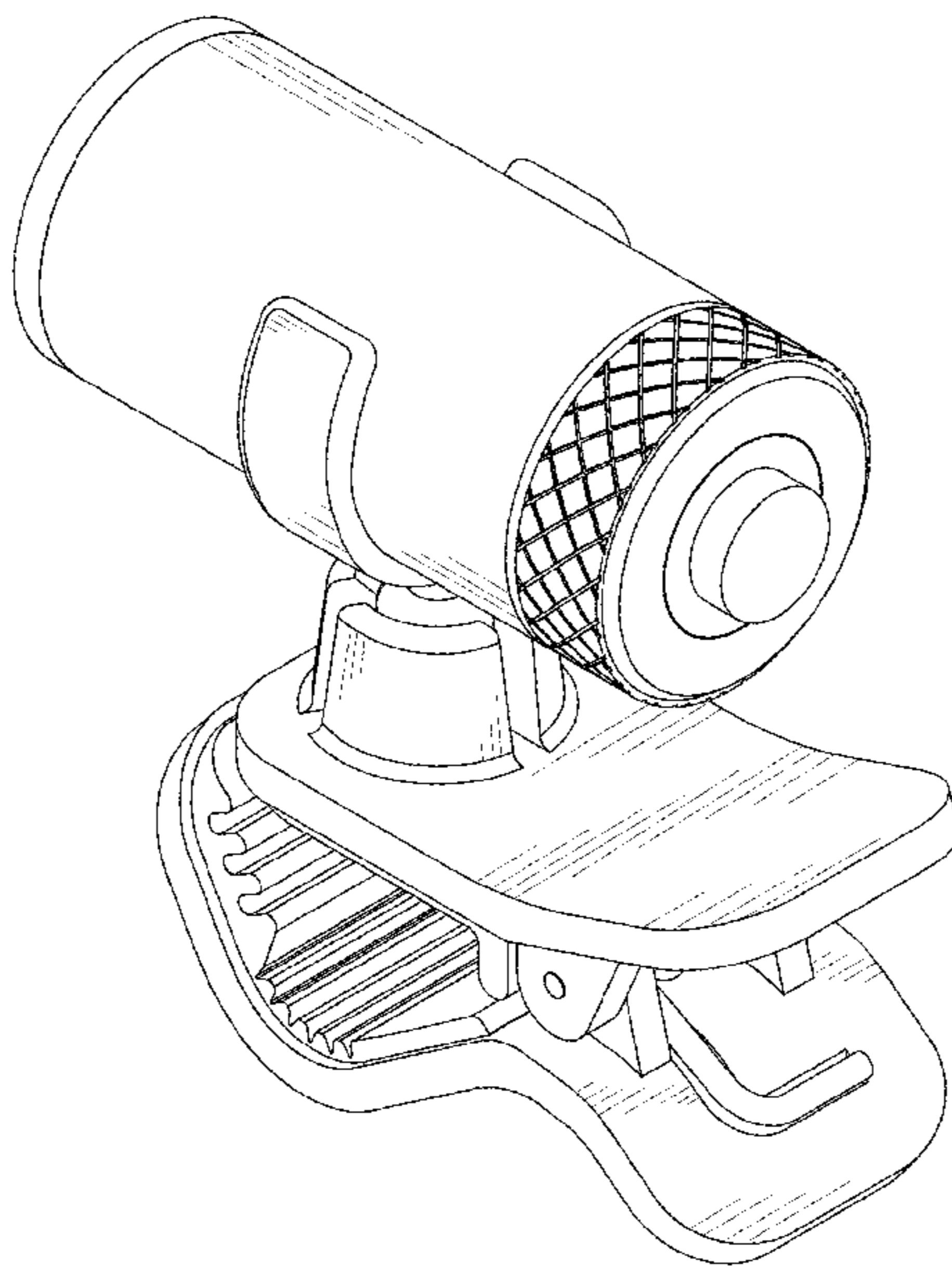
(57) **CLAIM**

The ornamental design for a tuner, as shown and described.

DESCRIPTION

FIG. 1 is a perspective view of a tuner in accordance with the present invention.
FIG. 2 is a front side view thereof.
FIG. 3 is a back side view thereof.
FIG. 4 is a left side view thereof.
FIG. 5 is a right side view thereof.
FIG. 6 is a top side view thereof; and,
FIG. 7 is a bottom side view thereof.
The broken lines are included for the purpose of illustrating portions of the tuner that form no part of the claimed design.

1 Claim, 7 Drawing Sheets



(56)

References Cited

OTHER PUBLICATIONS

Amazon, 3-1/2" 9 LED Mini Flashlight, posted Aug. 23, 2012, [online], [site visited Jul. 25, 2018]. Available from Internet, <URL: <https://www.amazon.com/HFT-69111-3-1-Mini-Flashlight/dp/B0091B9O9W>> (Year: 2012).*

Amazon, TOOGOO Outdoor Mini Pink Torch, posted Mar. 9, 2015, [online], [site visited Jul. 25, 2018]. Available from Internet, <URL: https://www.amazon.co.uk/TOOGOO-Outdoor-Rubber-Coated-Flashlight/dp/B00HV3OQAY/ref=sr_1_40?srs=3827499031&ie=UTF8&qid=1532556120&sr=8-40> (Year: 2015).*

* cited by examiner

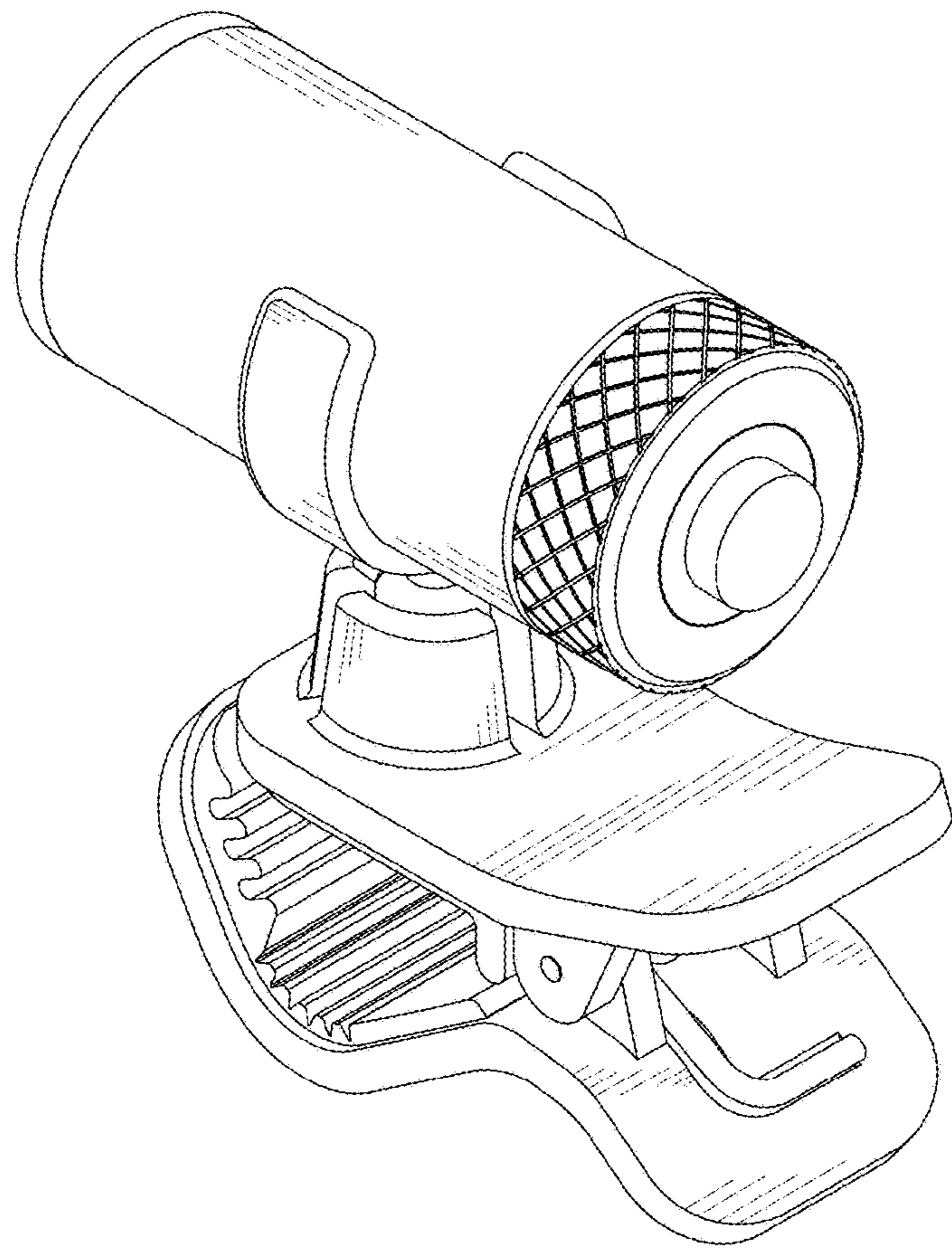


FIG. 1

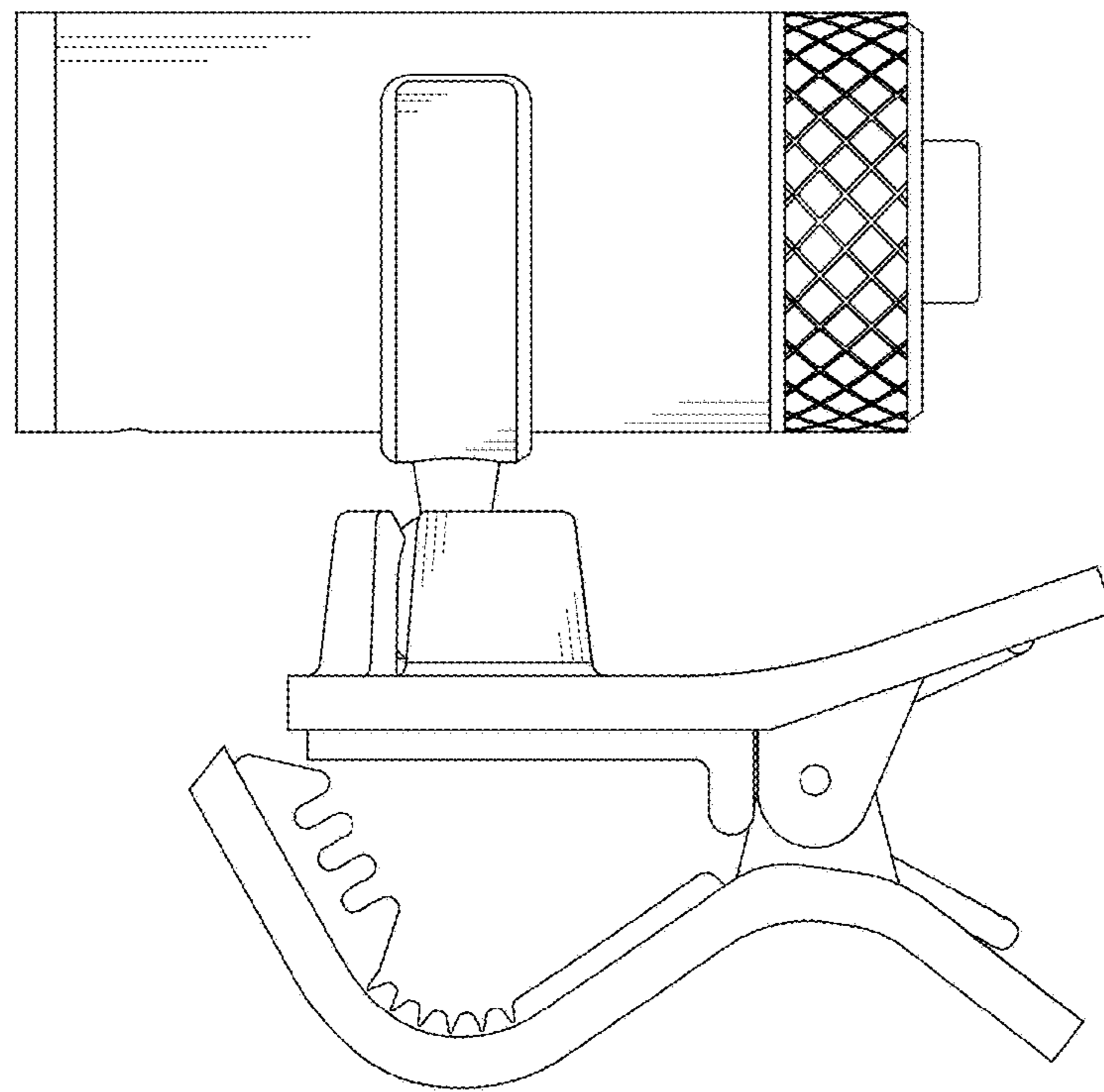


FIG. 2

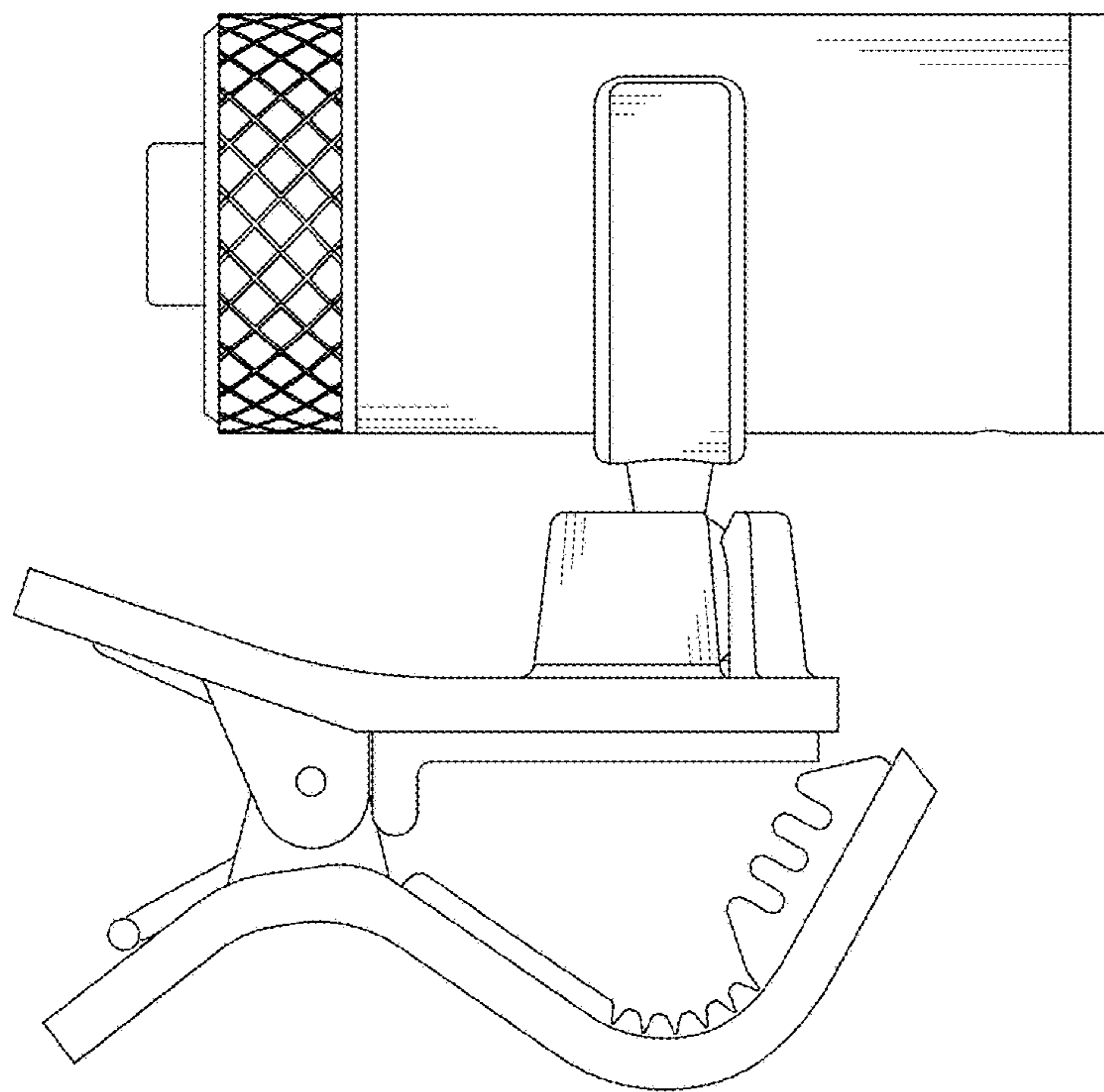


FIG. 3

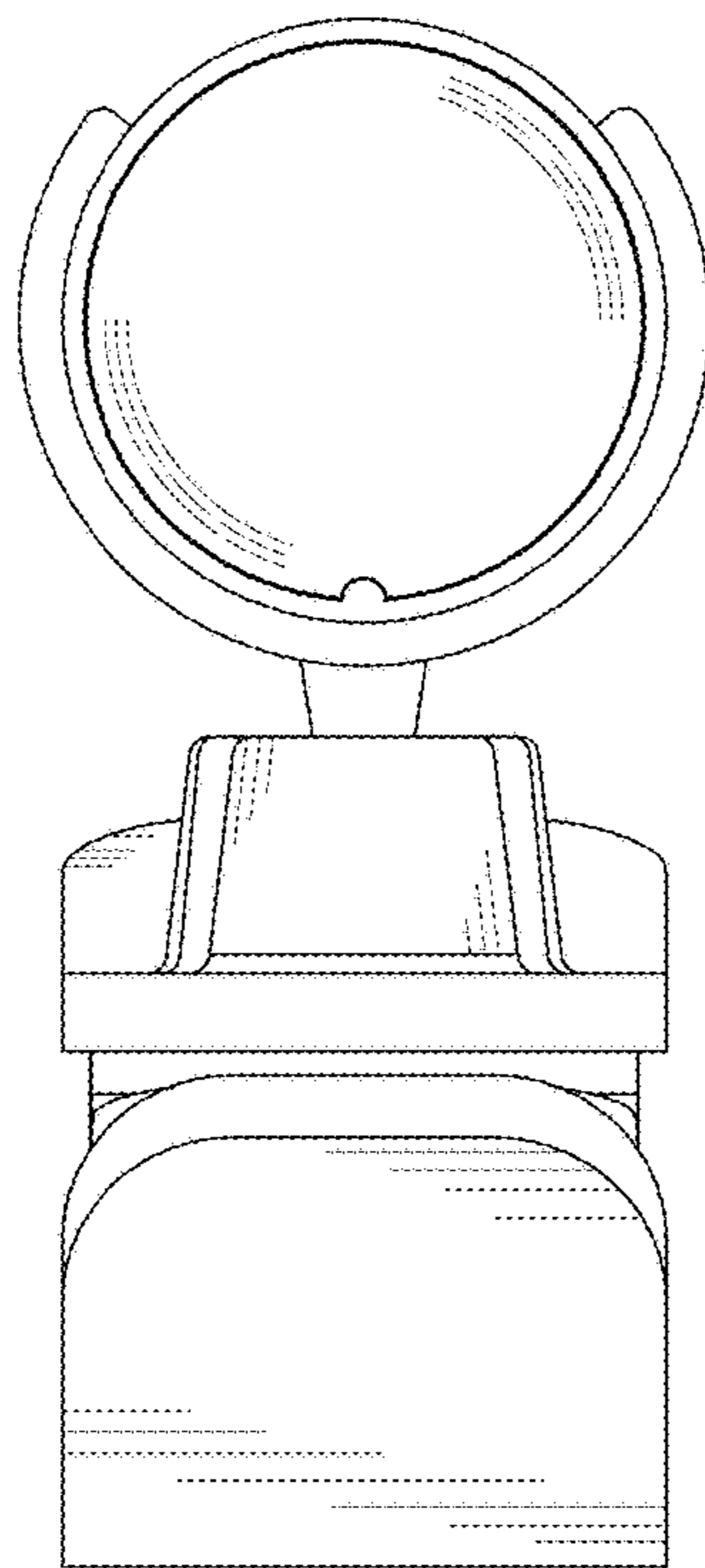


FIG. 4

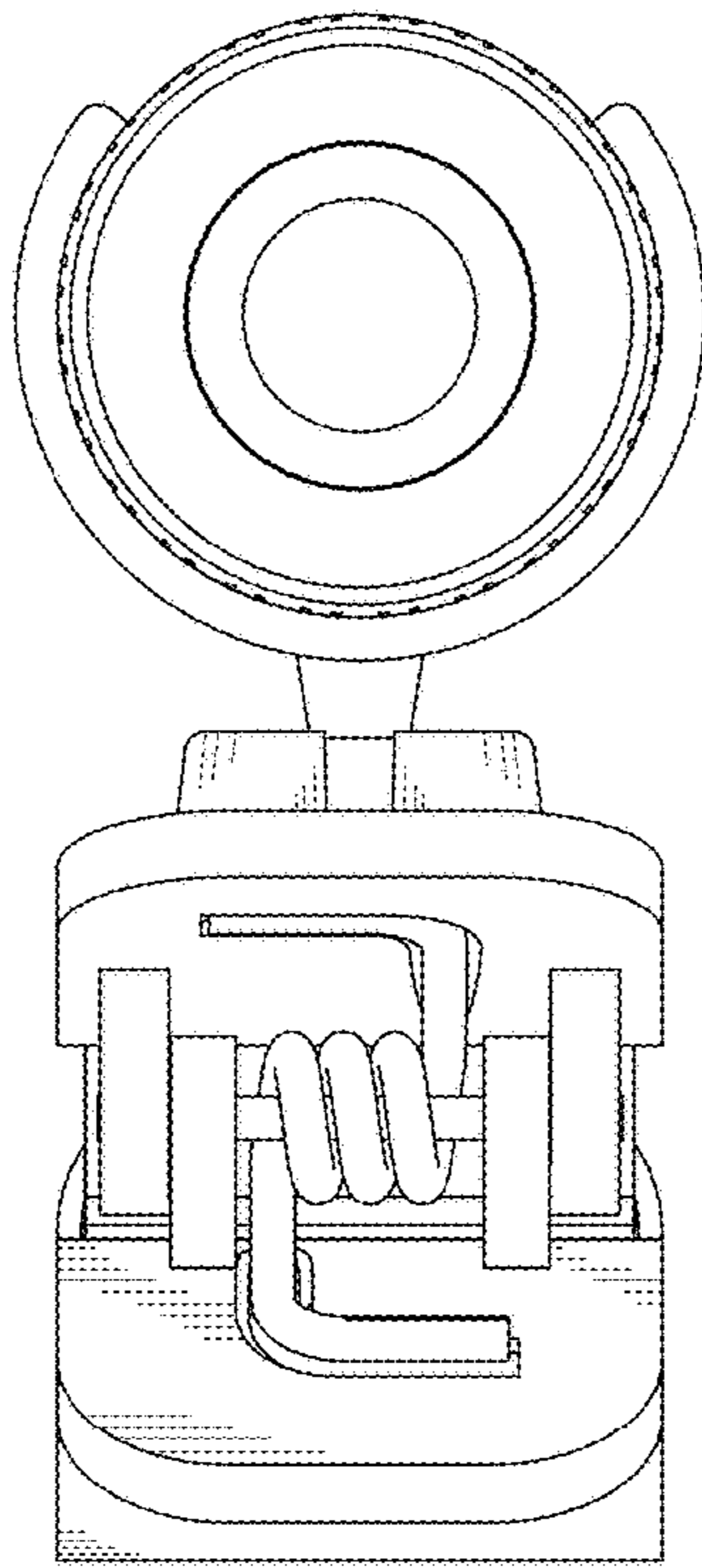


FIG. 5

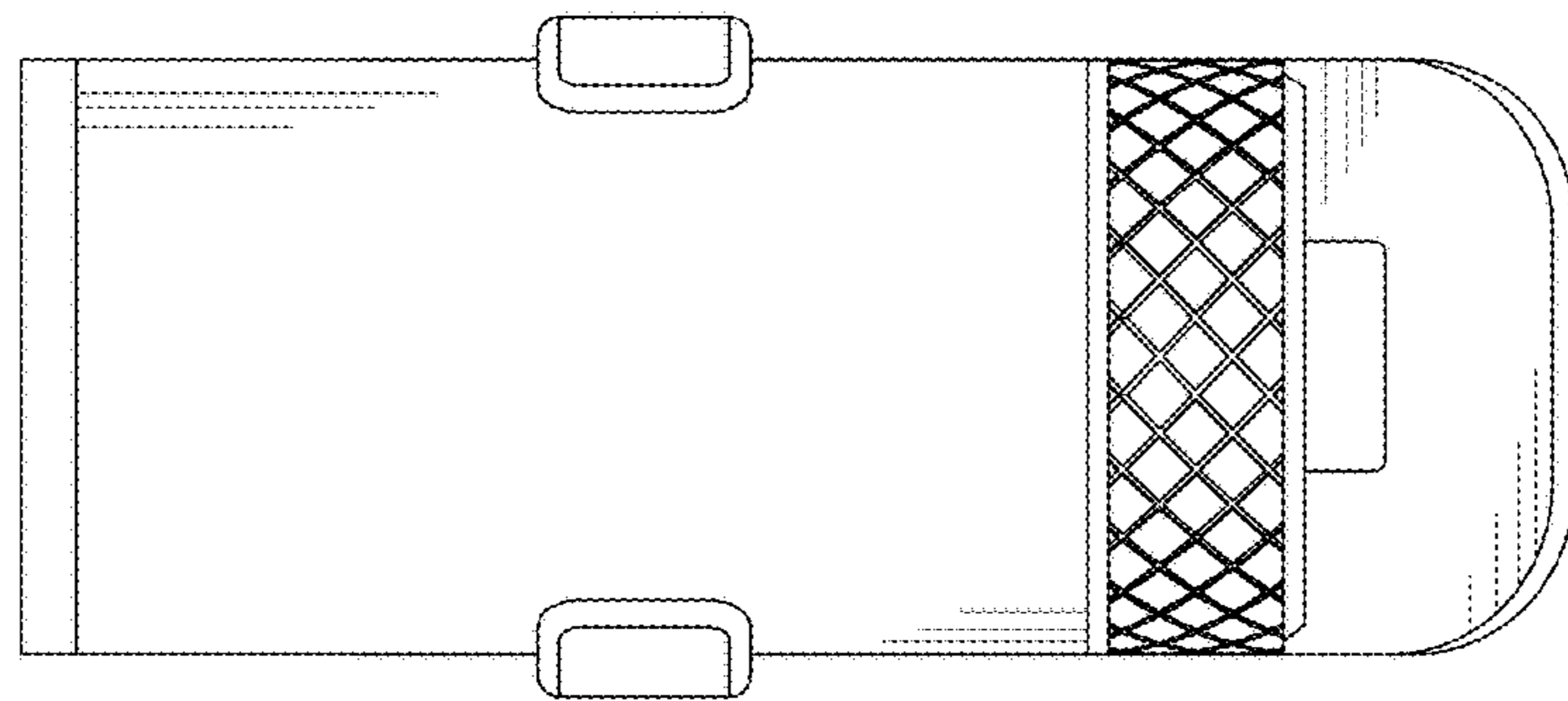


FIG. 6

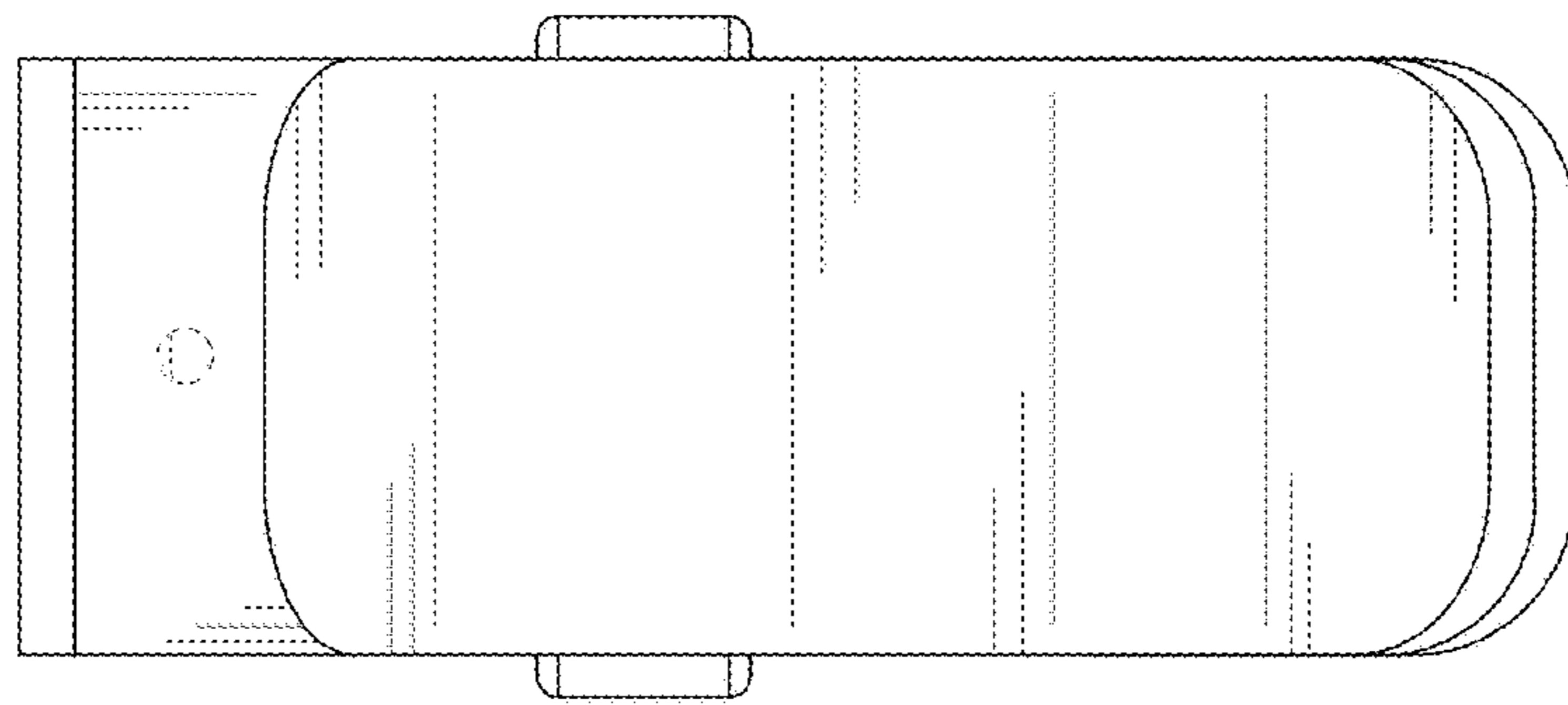


FIG. 7