



US00D863411S

(12) **United States Design Patent** (10) **Patent No.:** **US D863,411 S**  
**Liao** (45) **Date of Patent:** **\*\* Oct. 15, 2019**

(54) **STABILIZER**

(71) Applicant: **GUILIN ZHISHEN INFORMATION TECHNOLOGY CO., LTD.**, Guangxi (CN)

(72) Inventor: **Yilun Liao**, Guangxi (CN)

(73) Assignee: **GUILIN ZHISHEN INFORMATION TECHNOLOGY CO., LTD.** (CN)

(\*\*) Term: **15 Years**

(21) Appl. No.: **29/635,480**

(22) Filed: **Jan. 31, 2018**

(30) **Foreign Application Priority Data**

Dec. 26, 2017 (CN) ..... 2017 3 06707025

(51) **LOC (12) Cl.** ..... **16-05**

(52) **U.S. Cl.**  
USPC ..... **D16/243**

(58) **Field of Classification Search**  
USPC ..... D16/219, 237-250; D14/224, 229, 238, D14/251, 253, 447, 451, 457; D8/354, D8/355, 363, 373, 382-383, 394-396  
CPC ..... F16M 11/06-10; F16M 11/14; G02B 7/00-002; G03B 17/56; G03B 17/561-568; H04N 5/2253-2254; A45F 2200/0508-0533; A45F 5/00; A45F 5/10  
See application file for complete search history.

(56) **References Cited**

**U.S. PATENT DOCUMENTS**

8,267,361 B1 \* 9/2012 Dordick ..... F16M 11/14 248/178.1  
8,699,134 B2 \* 4/2014 Shen ..... G02B 23/165 359/429  
D780,825 S \* 3/2017 Kim ..... D10/103  
D784,997 S \* 4/2017 Cheng ..... D14/447  
D785,073 S \* 4/2017 Wang ..... D16/242  
D794,606 S \* 8/2017 Zheng ..... D14/217  
D795,946 S \* 8/2017 Kim ..... D16/206

D796,482 S \* 9/2017 Zheng ..... D14/217  
D799,447 S \* 10/2017 Zheng ..... D14/217  
D799,448 S \* 10/2017 Zheng ..... D14/217  
D799,465 S \* 10/2017 Sukphist ..... D14/253  
9,800,786 B1 \* 10/2017 Wei ..... G03B 17/568  
D810,171 S \* 2/2018 Kim ..... D16/206  
D810,806 S \* 2/2018 Kim ..... D16/206  
D824,882 S \* 8/2018 Zheng ..... D14/217  
D826,310 S \* 8/2018 Wang ..... D16/243  
2015/0261070 A1 \* 9/2015 Feng ..... G03B 17/561 396/421

(Continued)

**OTHER PUBLICATIONS**

FeiyuTech (Official Exclusive) G6 Plus 3-Axis Handheld Gimbal Stabilizer. [online ] Retrieved Jul. 1, 2018 from URL: [https://www.amazon.com/FeiyuTech-Stabilizer-Mirrorless-Smartphone-Splashproof/dp/B07F65DJS7/ref=sr\\_1\\_1?s=electronics&ie=UTF8&qid=1543413478&sr=1-1&keywords=FeiyuTech+%28Official+Exclusive%29+G6+Plus+3-Axi.\\*](https://www.amazon.com/FeiyuTech-Stabilizer-Mirrorless-Smartphone-Splashproof/dp/B07F65DJS7/ref=sr_1_1?s=electronics&ie=UTF8&qid=1543413478&sr=1-1&keywords=FeiyuTech+%28Official+Exclusive%29+G6+Plus+3-Axi.*)

*Primary Examiner* — Vy N Koenig  
(74) *Attorney, Agent, or Firm* — Drinker Biddle & Reath LLP

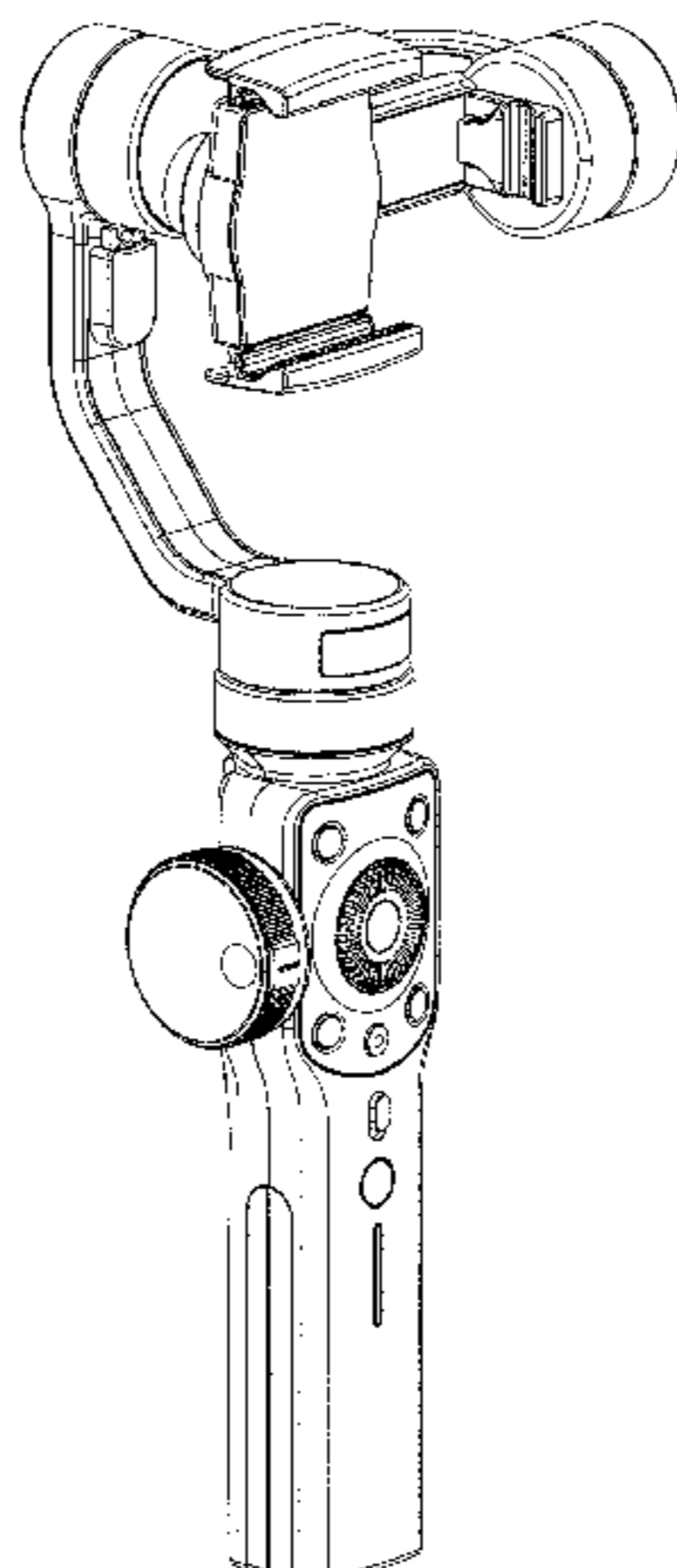
(57) **CLAIM**

The ornamental design for a stabilizer, as shown and described.

**DESCRIPTION**

FIG. 1 is a front side perspective view of a stabilizer showing my new design;  
FIG. 2 is a rear side perspective view thereof;  
FIG. 3 is a front side elevation view of FIG. 1;  
FIG. 4 is a rear side elevation view of FIG. 1;  
FIG. 5 is a left side view of FIG. 1;  
FIG. 6 is a right side view of FIG. 1;  
FIG. 7 is a top plan view of FIG. 1; and,  
FIG. 8 is a bottom plan view of FIG. 1.  
The broken lines in the drawings depict portions of a stabilizer that form no part of the claimed design.

**1 Claim, 7 Drawing Sheets**



(56)

**References Cited**

U.S. PATENT DOCUMENTS

2016/0290556 A1\* 10/2016 Choi ..... F16M 13/022  
2016/0381271 A1\* 12/2016 Cheng ..... F16M 11/041  
348/208.2  
2017/0037995 A1\* 2/2017 Pan ..... F16M 11/18  
2017/0064176 A1\* 3/2017 Kim ..... F16M 11/18  
2017/0146892 A1\* 5/2017 Wei ..... F16M 11/045  
2017/0191613 A1\* 7/2017 Liu ..... B64D 47/08  
2017/0241589 A1\* 8/2017 Wang ..... F16M 11/18  
2017/0307136 A1\* 10/2017 Wei ..... F16M 11/12  
2018/0031951 A1\* 2/2018 Wang ..... G03B 17/561  
2018/0066792 A1\* 3/2018 Chen ..... F16M 11/04

\* cited by examiner

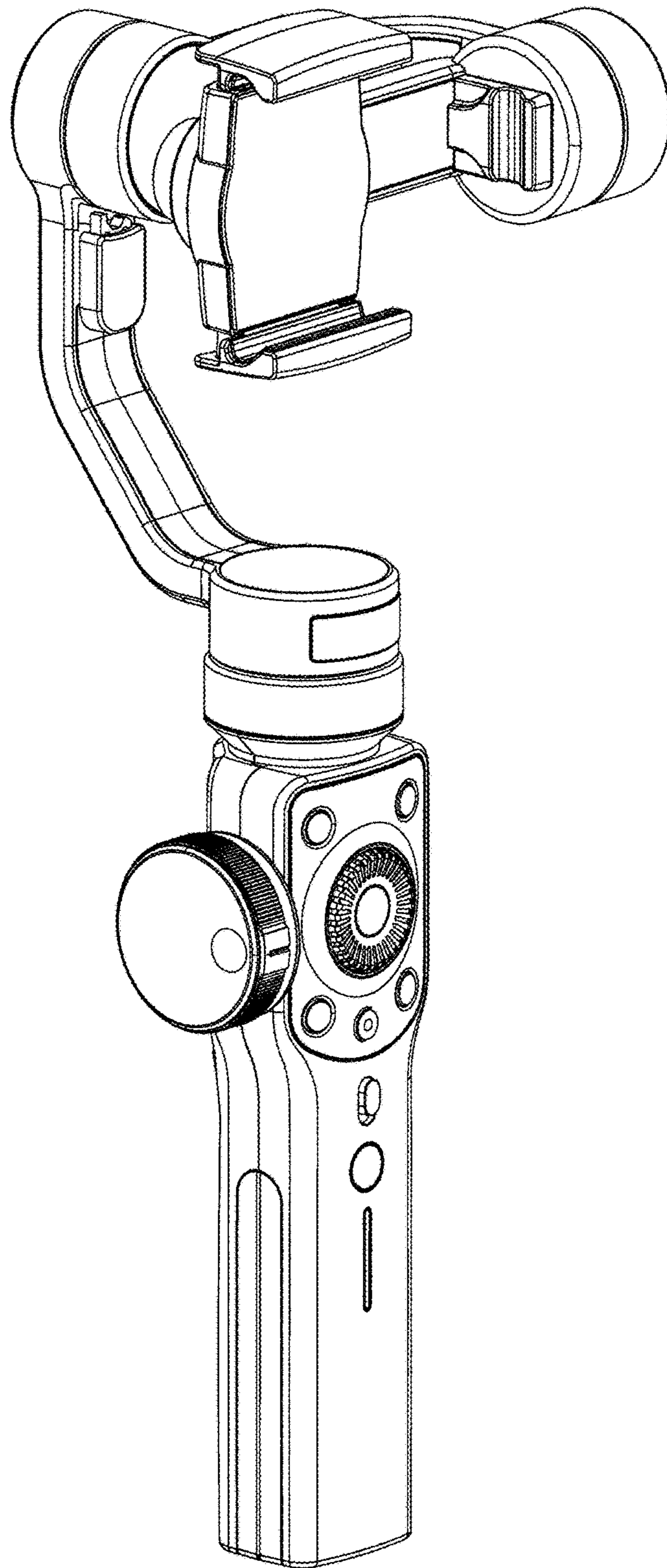


FIG. 1

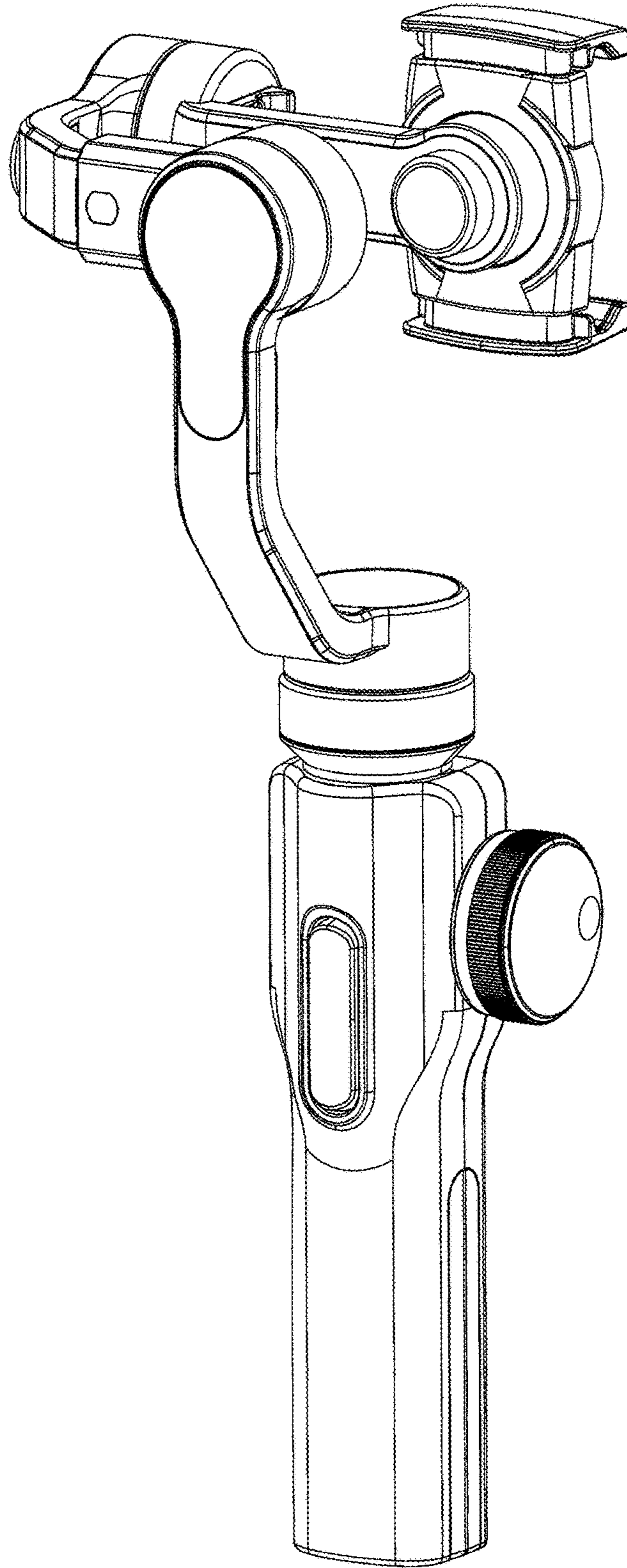


FIG. 2

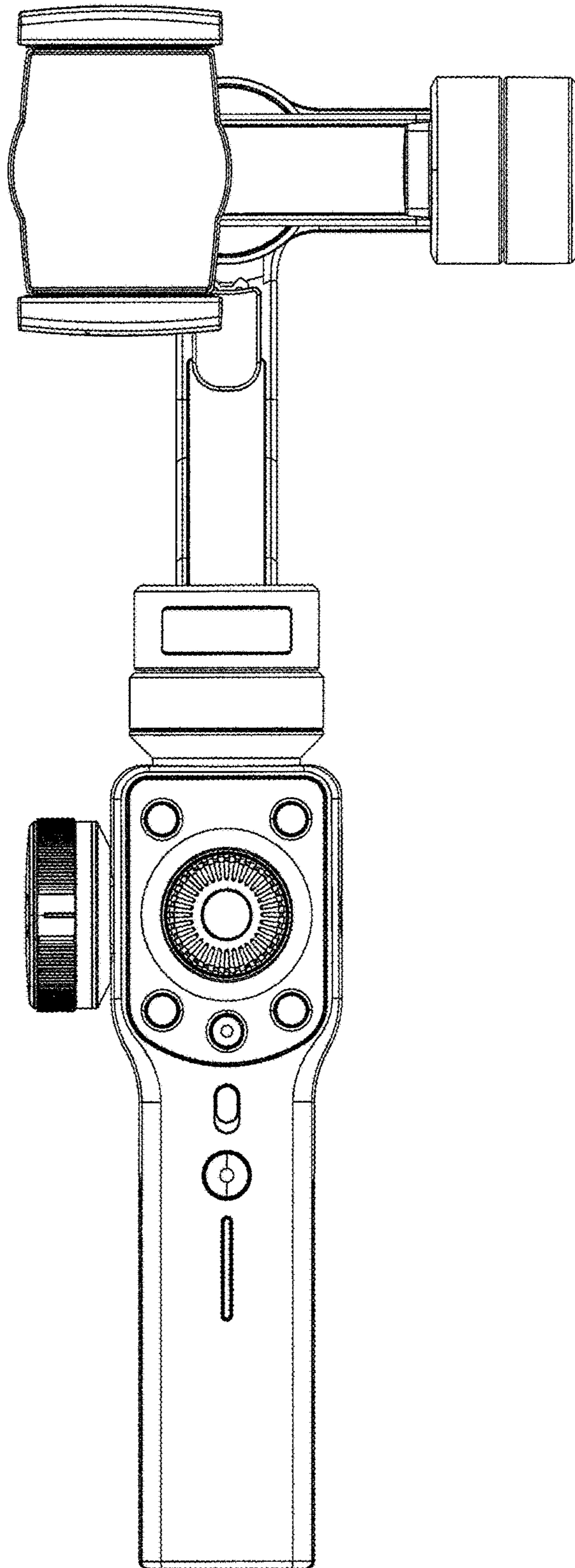


FIG.3

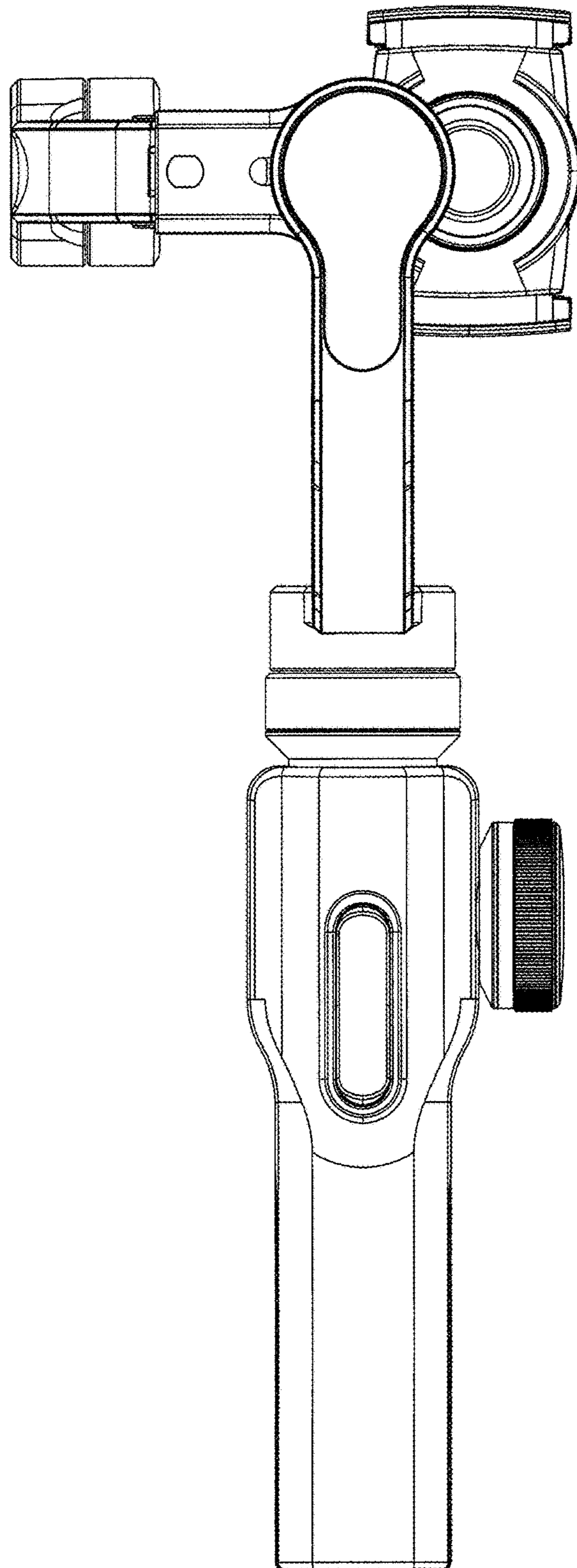


FIG.4

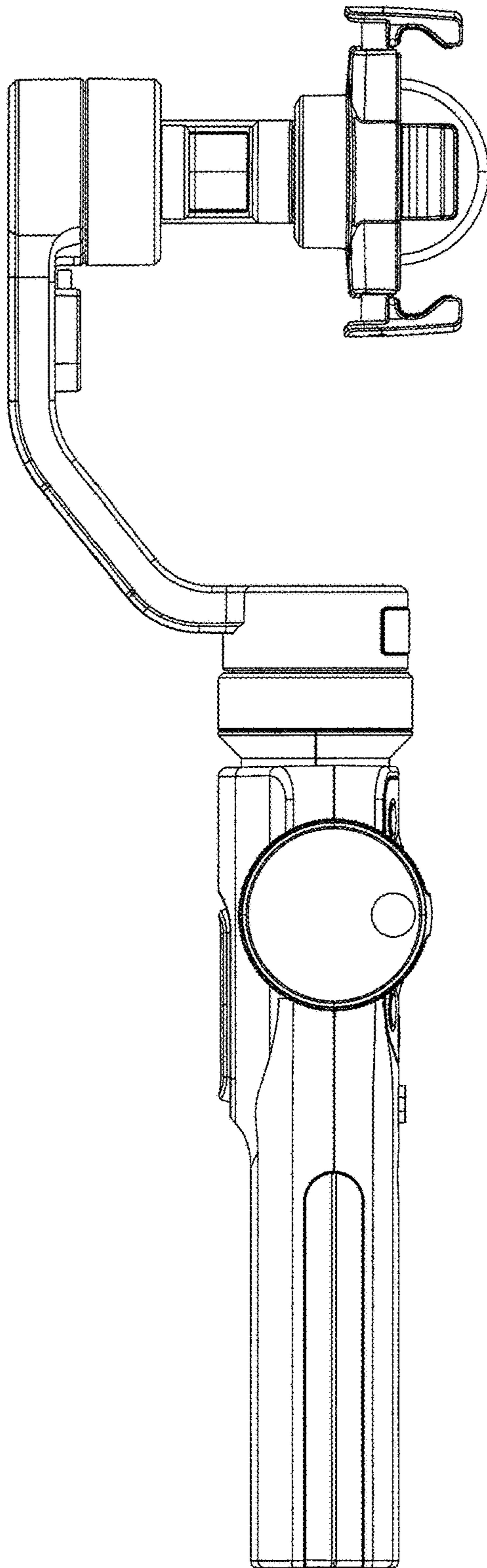


FIG.5

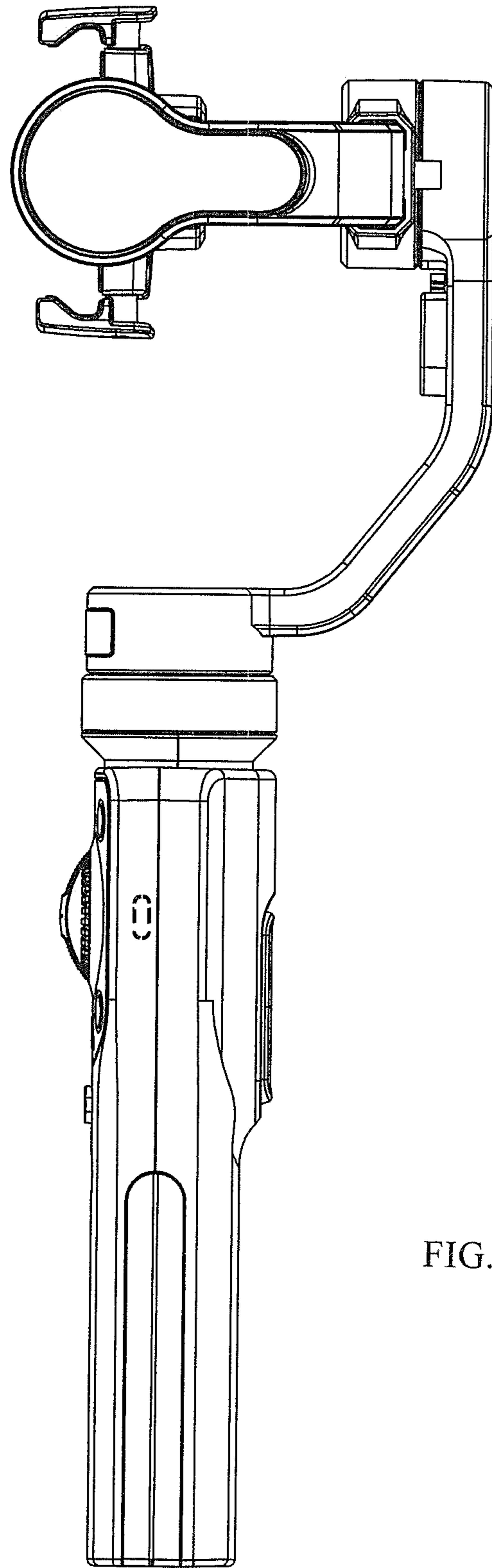


FIG.6



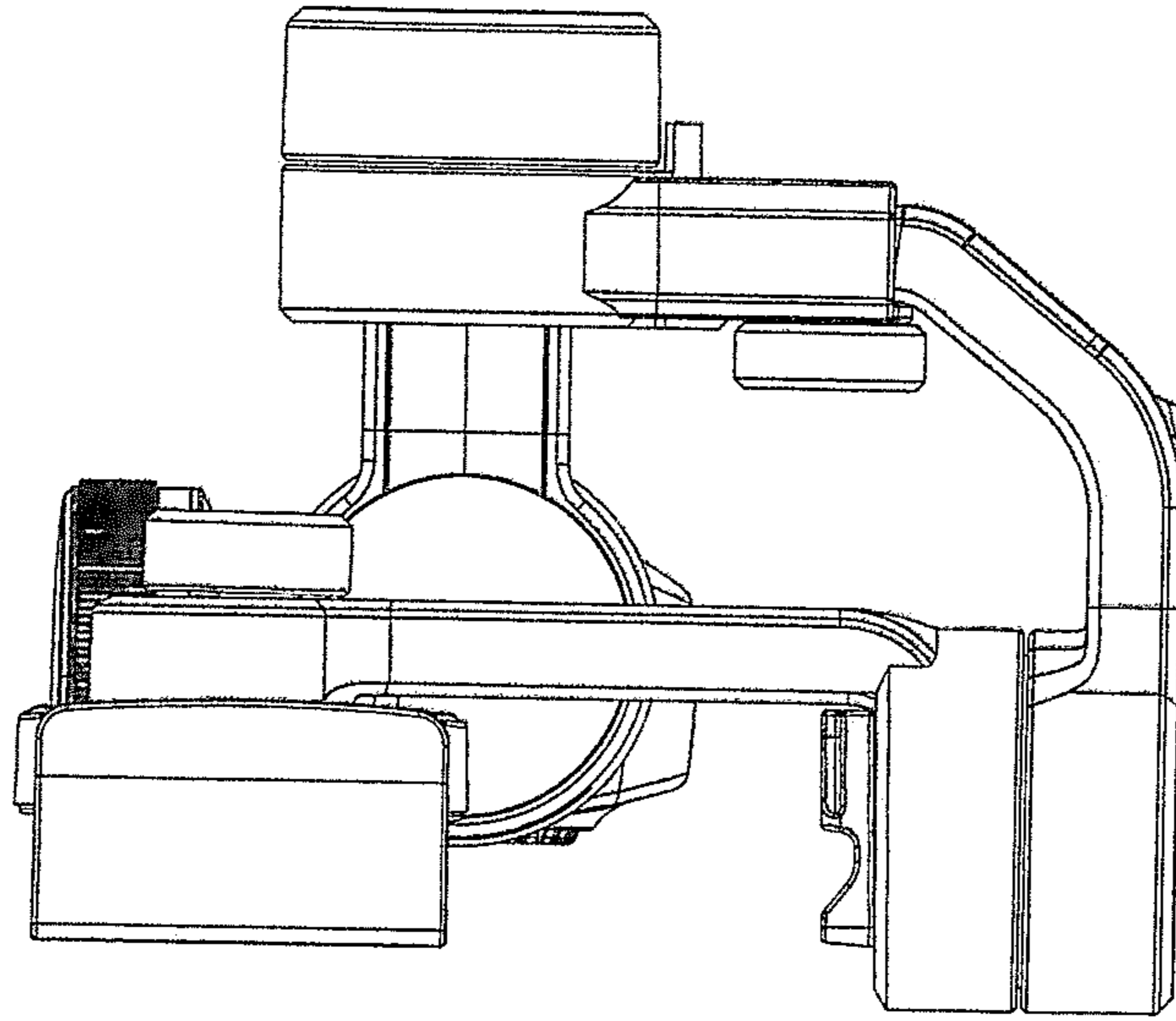


FIG. 7

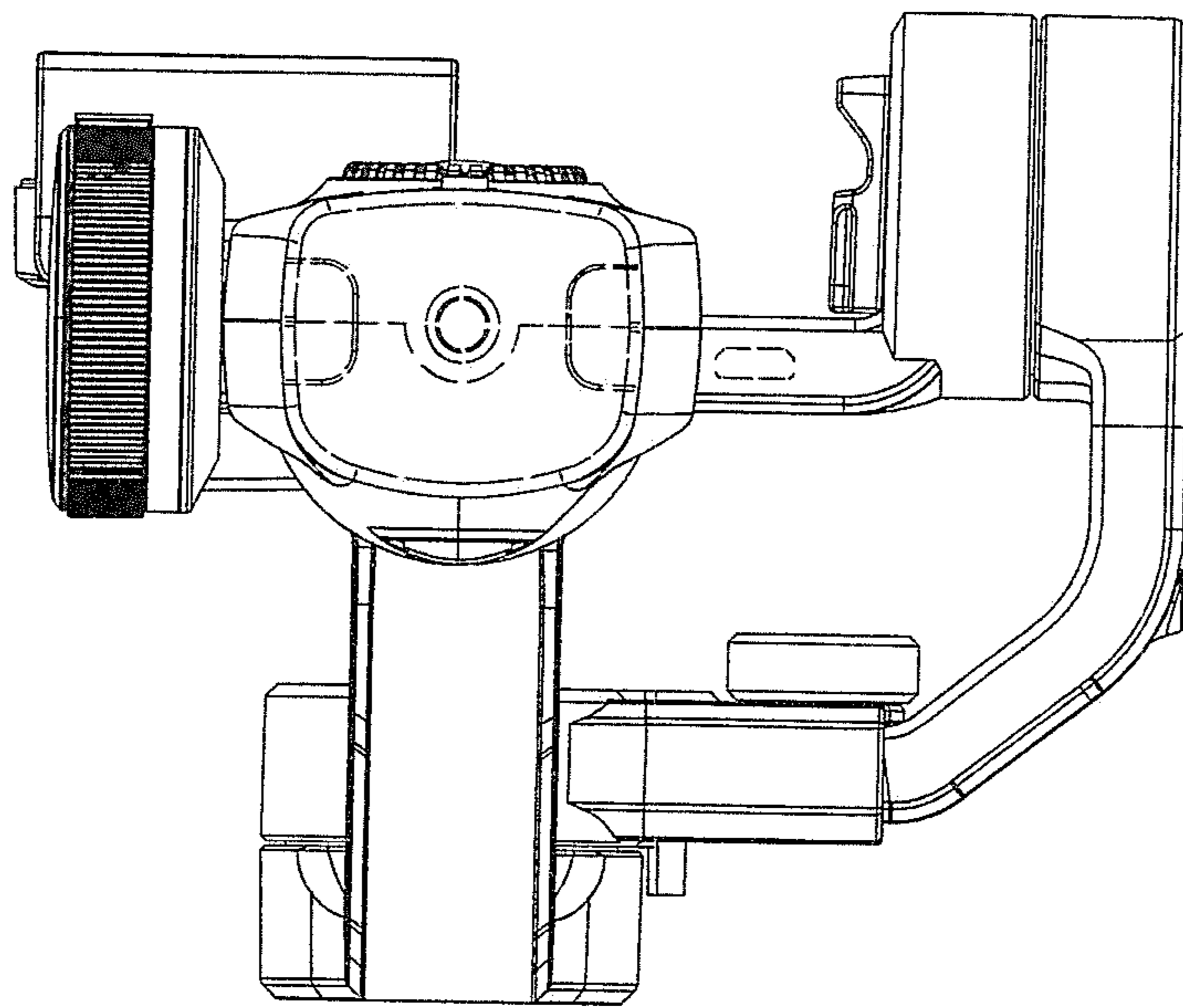


FIG. 8