



US00D863406S

(12) **United States Design Patent**
Laffon de Mazieres et al.

(10) **Patent No.:** **US D863,406 S**
(45) **Date of Patent:** **** Oct. 15, 2019**

(54) **CAMERA STAND**

- (71) Applicant: **Amazon Technologies, Inc.**, Seattle, WA (US)
- (72) Inventors: **Emmanuel J M Laffon de Mazieres**, Burlingame, CA (US); **Christopher Green**, San Francisco, CA (US); **Giles David Matthew McWilliam**, San Francisco, CA (US)
- (73) Assignee: **Amazon Technologies, Inc.**, Seattle, WA (US)
- (**) Term: **15 Years**
- (21) Appl. No.: **29/659,870**
- (22) Filed: **Aug. 13, 2018**

Related U.S. Application Data

- (62) Division of application No. 29/636,695, filed on Feb. 9, 2018, now Pat. No. Des. 831,089, which is a division of application No. 29/584,546, filed on Nov. 15, 2016, now Pat. No. Des. 813,289.
- (51) **LOC (12) Cl.** **16-05**
- (52) **U.S. Cl.**
USPC **D16/219**; D16/242
- (58) **Field of Classification Search**
USPC D16/200, 202–205, 208, 211, 214, 218, D16/219, 221, 242; D14/447; 348/14.01–14.06, 143, 148, 373–376; 396/419, 427, 535, 539–541
CPC G03B 17/02; G03B 19/04; G03B 17/56; G03B 17/04; G03B 15/03; H04N 5/2251; H04N 5/2252; H04N 5/2253; H04N 5/2254; H04N 2007/145; H04N 7/141; H04N 7/142; H04N 7/147; H04N 7/148; H04N 7/15; H04N 7/152
See application file for complete search history.

(56) **References Cited**

U.S. PATENT DOCUMENTS

D405,815 S *	2/1999	Takizawa	D16/242
D557,320 S *	12/2007	Fisher	D16/219
D593,566 S *	6/2009	Richter	D14/253
D618,269 S *	6/2010	Williams	D16/242
D721,754 S	1/2015	Chen	

(Continued)

Primary Examiner — Ramzi S Almatrahi

(74) *Attorney, Agent, or Firm* — Lee & Hayes, P.C.

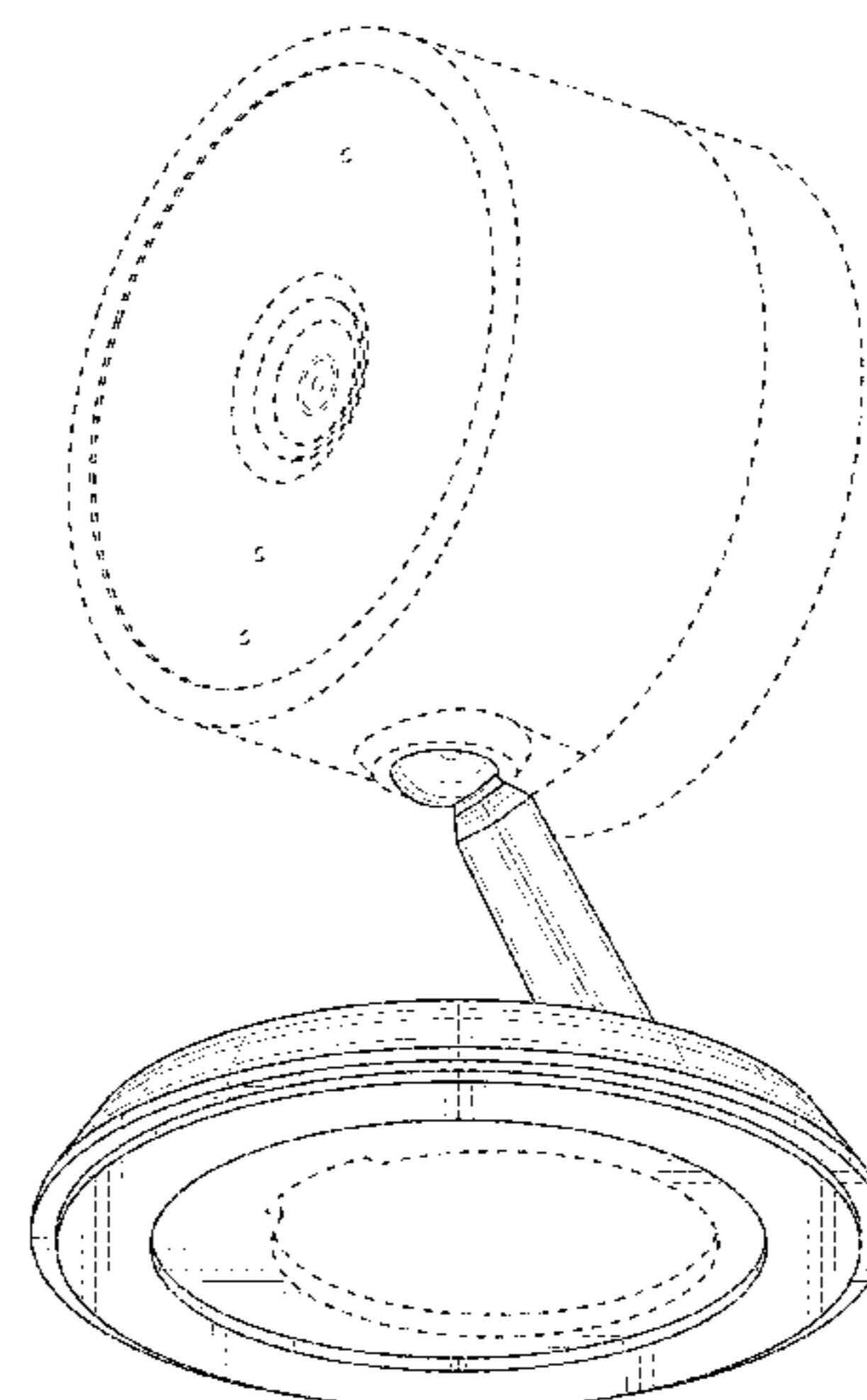
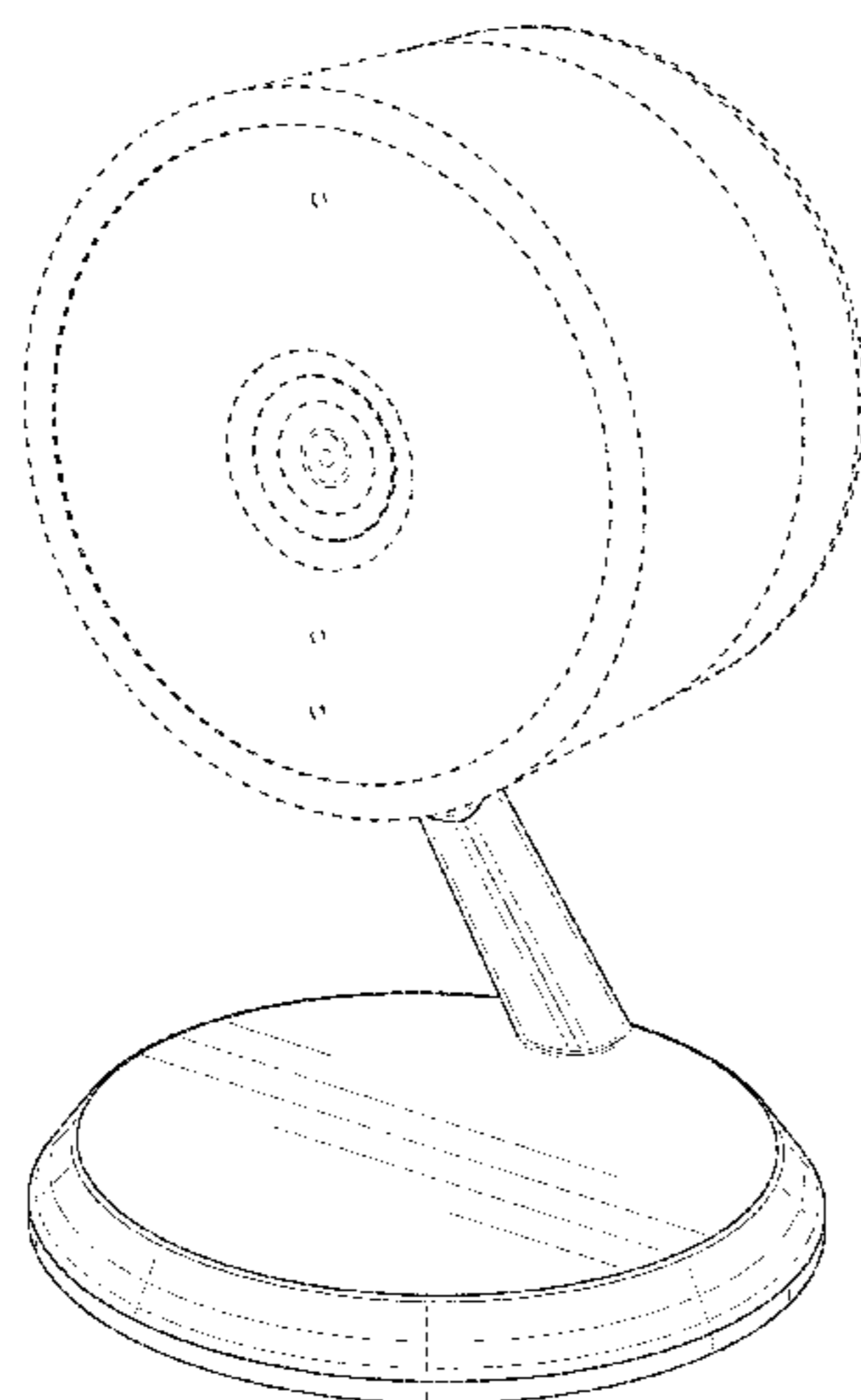
(57) **CLAIM**

The ornamental design for a camera stand, as shown and described.

DESCRIPTION

FIG. 1 is a top perspective view of a camera stand showing our new design;
 FIG. 2 is a bottom perspective view thereof;
 FIG. 3 is a front view thereof;
 FIG. 4 is a back view thereof;
 FIG. 5 is a right-side view thereof;
 FIG. 6 is a left-side view thereof;
 FIG. 7 is a top view thereof;
 FIG. 8 is a bottom view thereof;
 FIG. 9 is a top perspective view of the camera stand of FIG. 1, shown in condition of use with an attached cable and a wall mount disclosed in broken lines to illustrate an environment; and,
 FIG. 10 is a top perspective view of the camera stand of FIG. 1, shown in condition of use with an attached cable and a wall mount disclosed in broken lines to illustrate an environment.
 The broken lines depict portions of the camera stand in which the design is embodied that form no part of the claimed design. The broken lines showing an attached cable and a wall mount in FIGS. 9 and 10 represent environmental structure and form no part of the claimed design.

1 Claim, 10 Drawing Sheets



(56)

References Cited

U.S. PATENT DOCUMENTS

D729,296 S	5/2015	Shelton	
D733,781 S	7/2015	Chen	
D734,801 S	7/2015	Yang	
D740,871 S	10/2015	Moon et al.	
D742,954 S	11/2015	Simonelli et al.	
D743,467 S *	11/2015	Bhattacharya	D16/203
D743,475 S	11/2015	Cover	
D748,709 S	2/2016	Jeong	
D754,233 S	4/2016	Du et al.	
D755,880 S *	5/2016	Luo	D16/214
D760,310 S	6/2016	Pacurariu et al.	
D761,340 S	7/2016	Pacurariu et al.	
D772,971 S *	11/2016	Hojo	D16/242
D775,684 S *	1/2017	Jacob	H04N 5/2251 D16/242
D776,182 S	1/2017	Lagerstedt et al.	
D784,434 S	4/2017	Benedetti	
9,625,792 B2	4/2017	Kilgore et al.	
9,631,767 B2	4/2017	Kilgore et al.	
D785,693 S	5/2017	Kim	
D795,938 S	8/2017	Ravat et al.	
D796,569 S	9/2017	Chang et al.	
D798,360 S	9/2017	Jeong	
D798,365 S *	9/2017	Glazer	D16/242
D802,647 S	11/2017	Duffy et al.	
D803,922 S	11/2017	Chang et al.	
D814,544 S	4/2018	Moon et al.	
D815,177 S	4/2018	Jeong	
9,942,525 B2	4/2018	Duffy et al.	
D818,028 S *	5/2018	Ramones	D16/214
D825,643 S *	8/2018	Wengreen	D16/242
D828,425 S *	9/2018	Piekarski	D16/202
D828,426 S *	9/2018	Li	D16/202

* cited by examiner

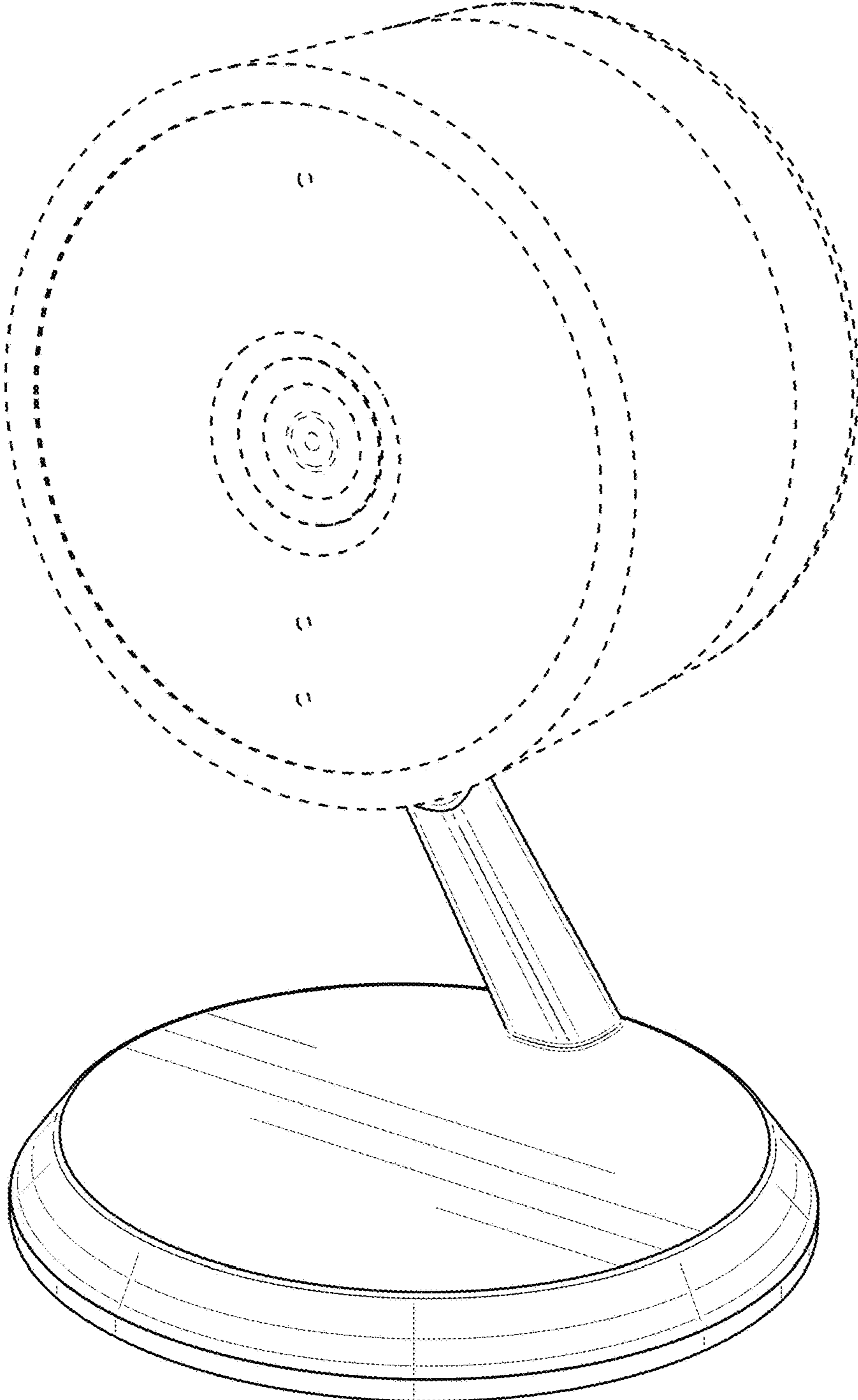


FIG. 1

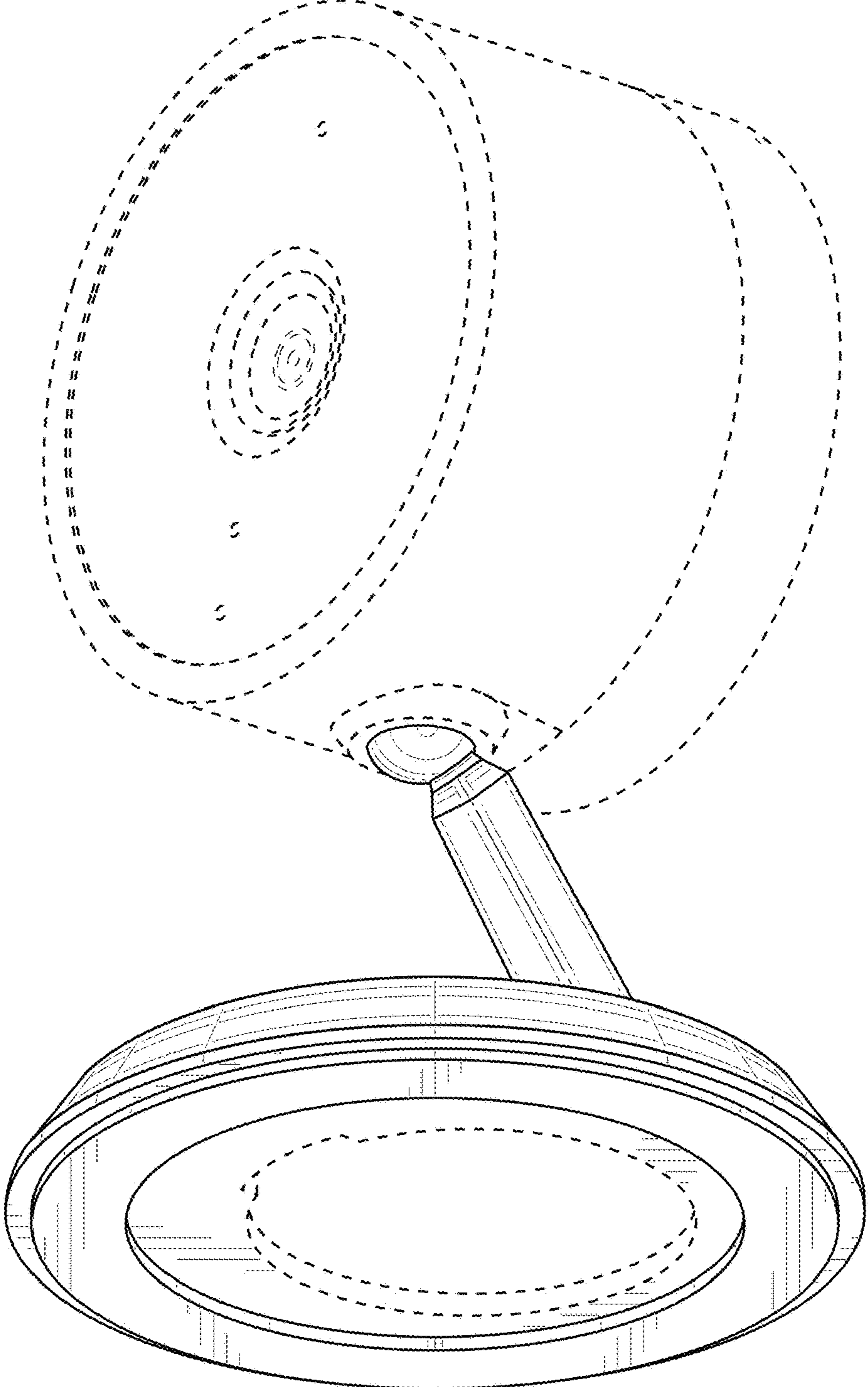


FIG. 2

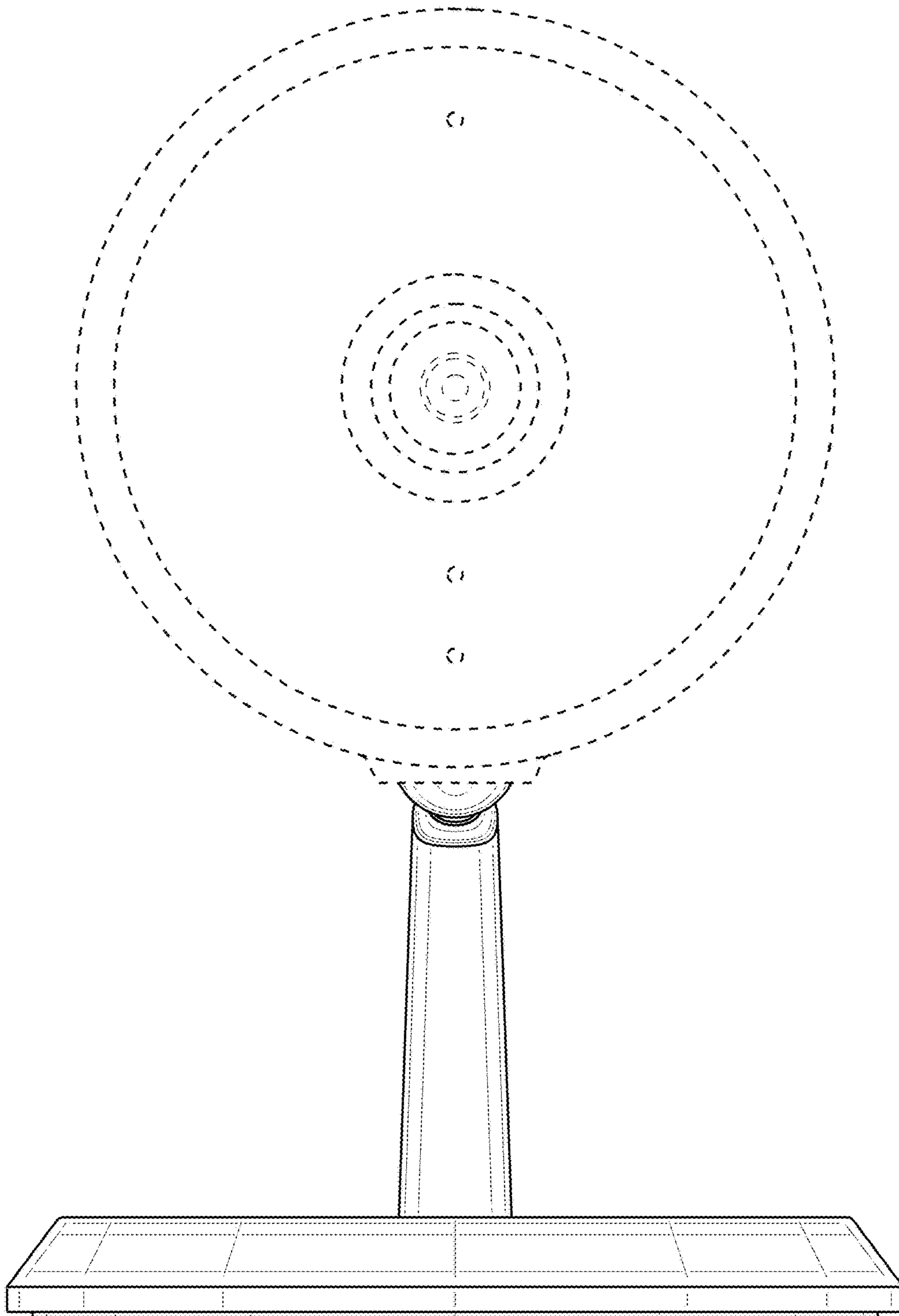


FIG. 3

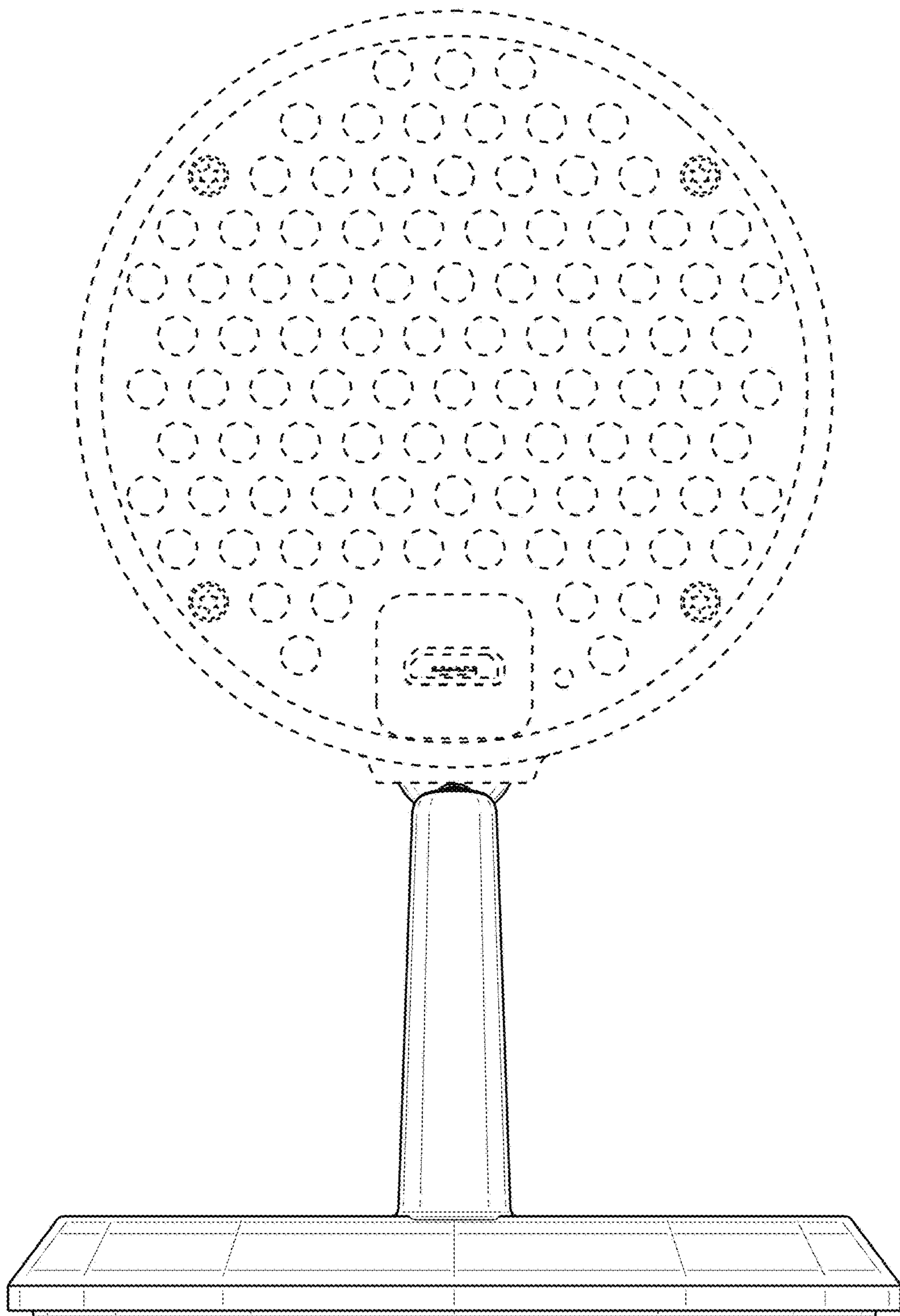


FIG. 4

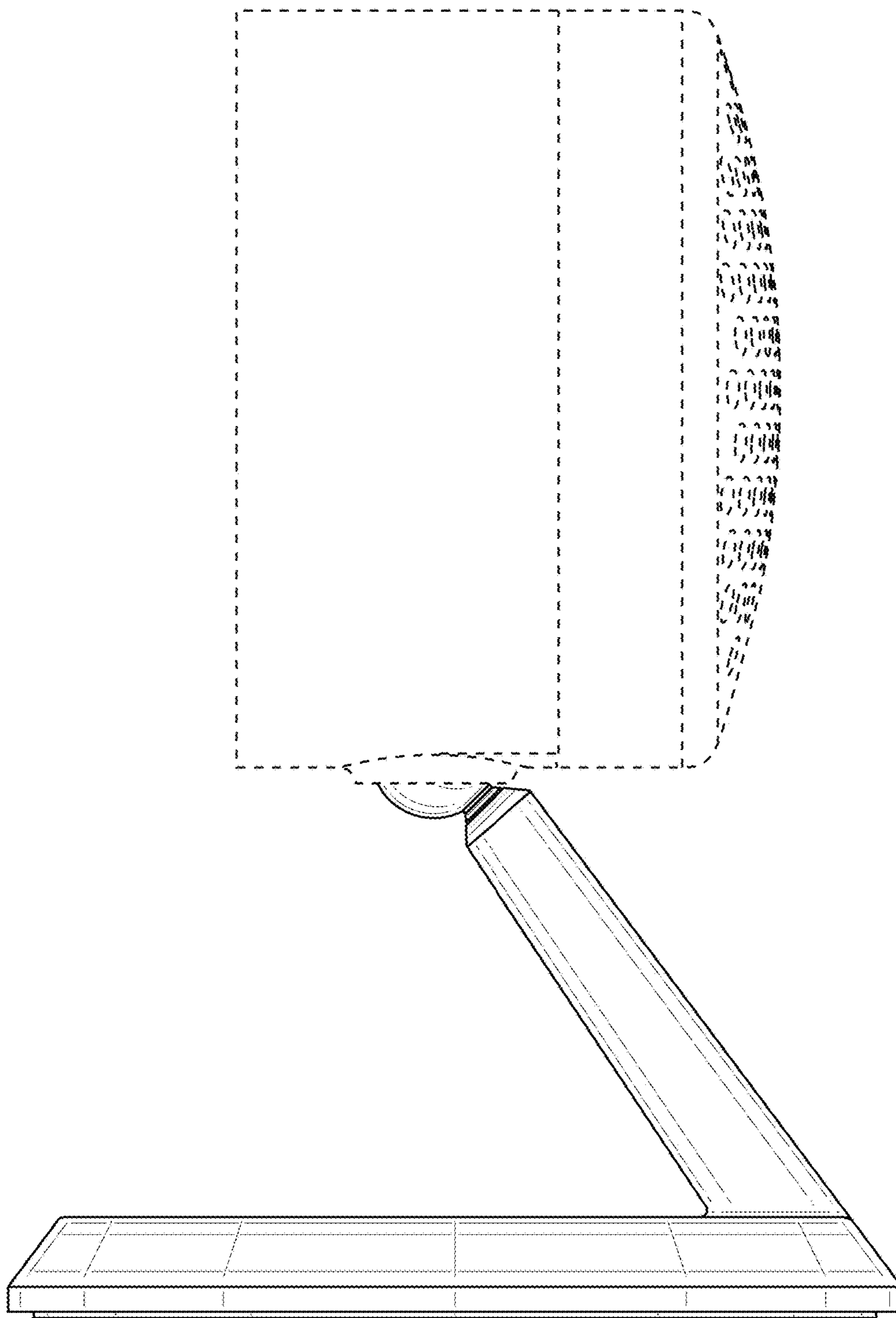


FIG. 5

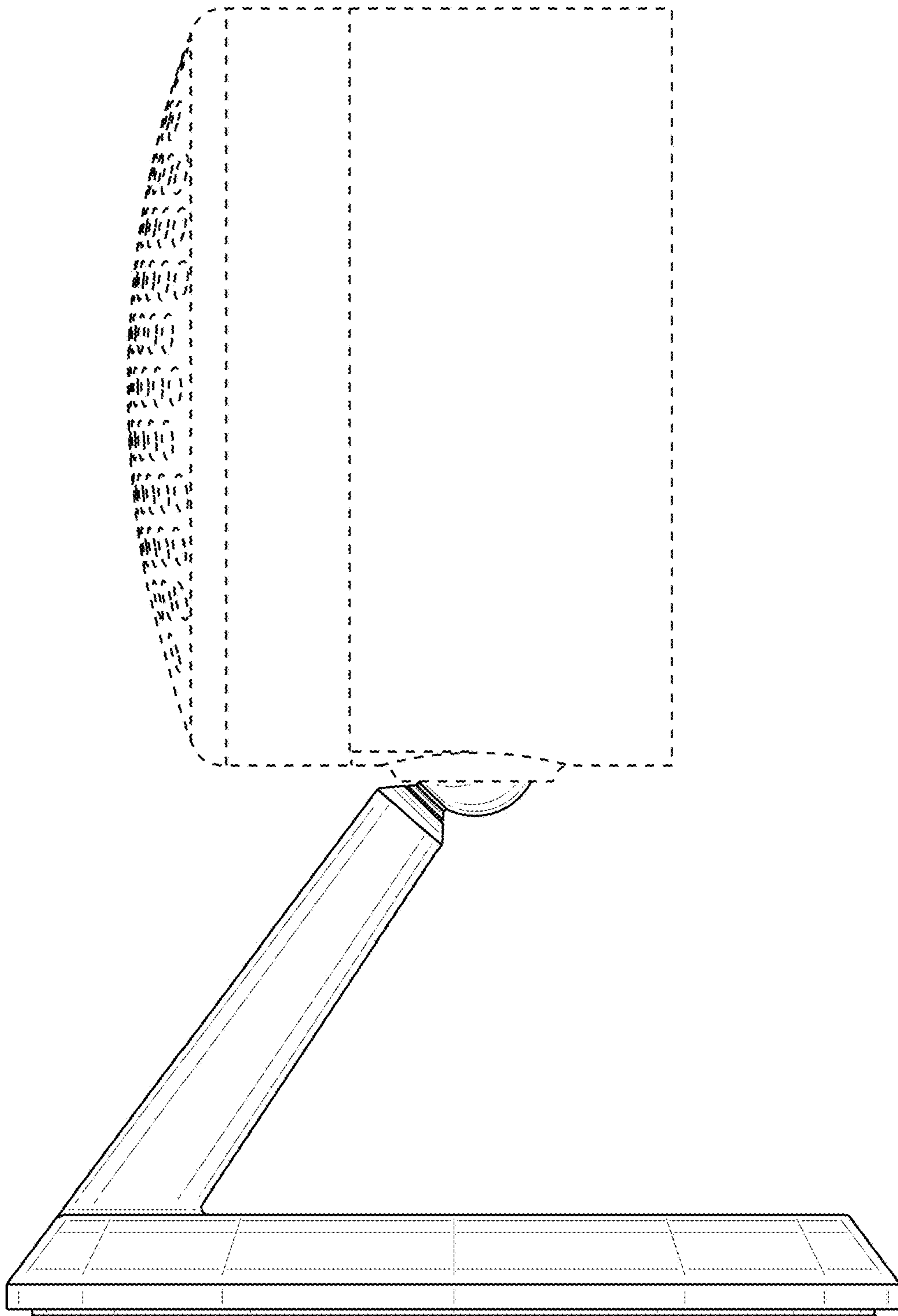


FIG. 6

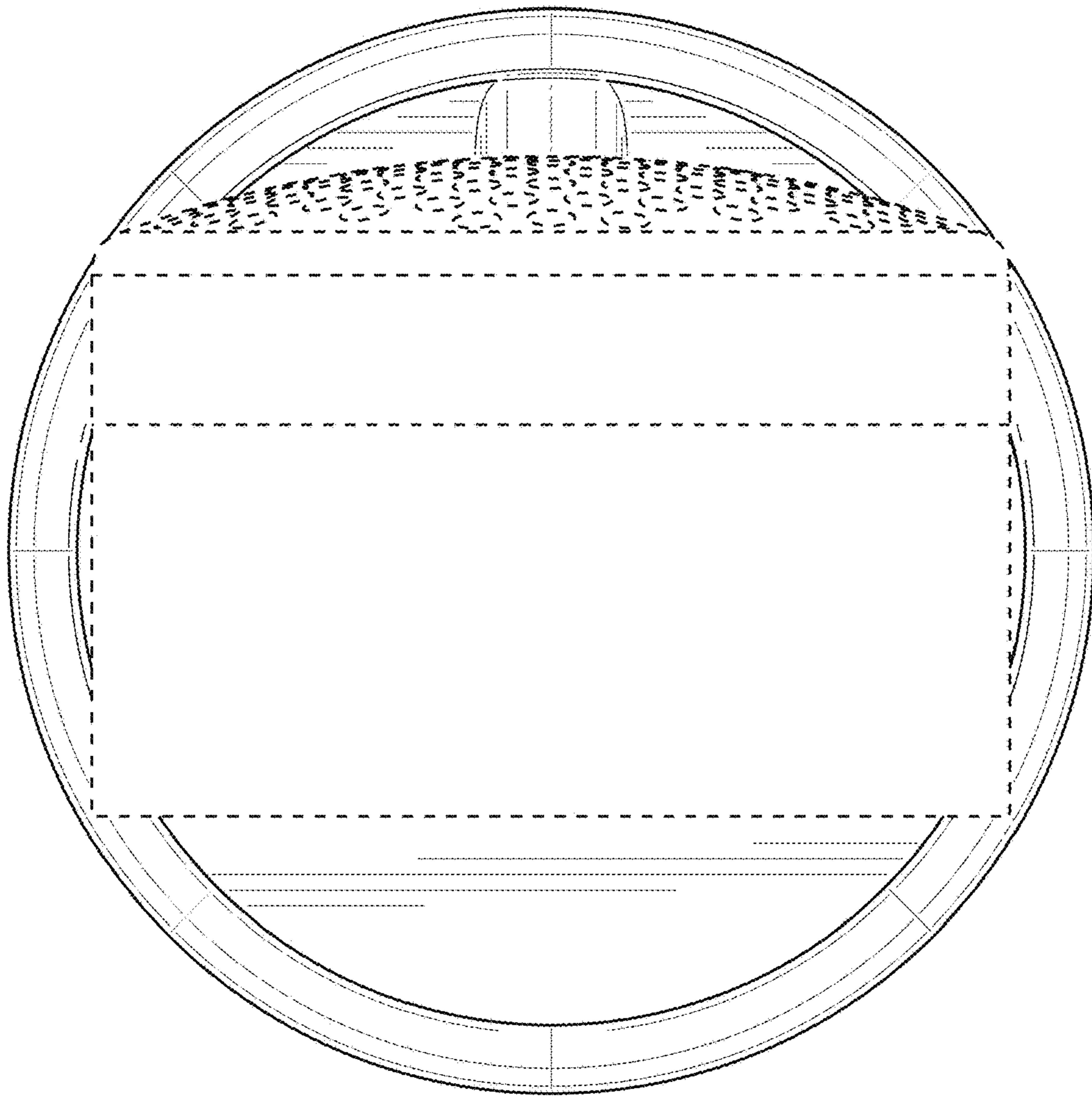


FIG. 7

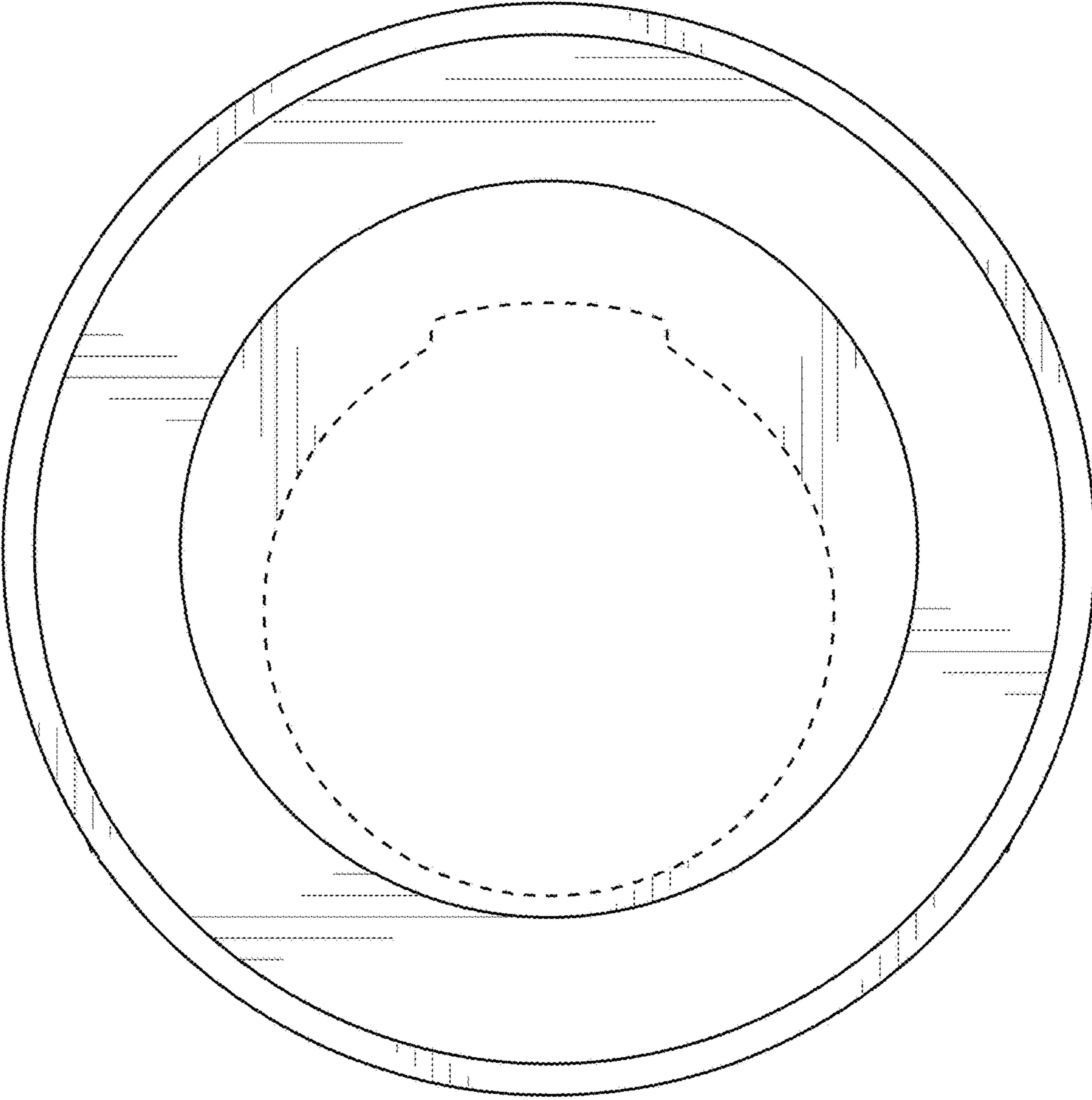


FIG. 8

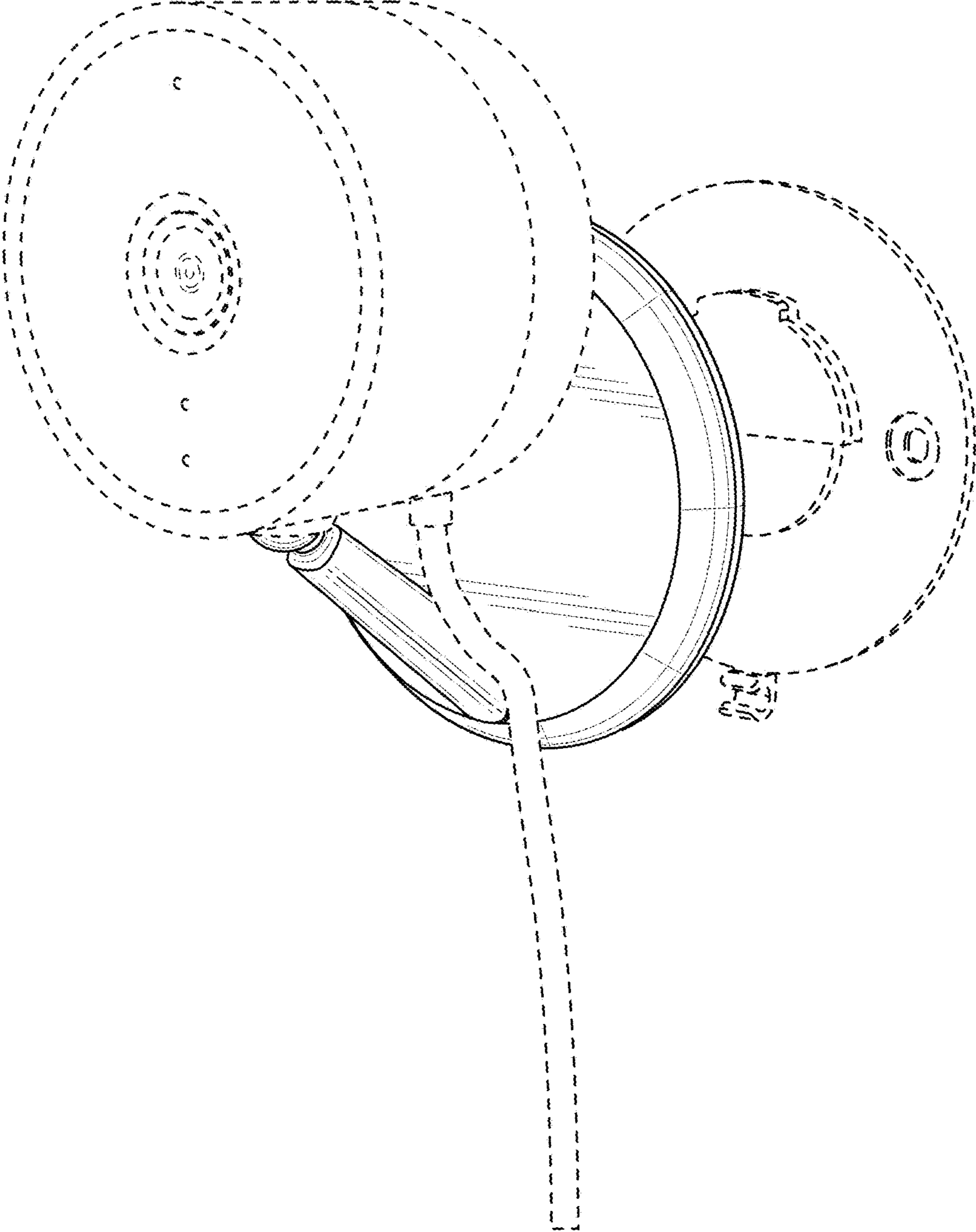


FIG. 9

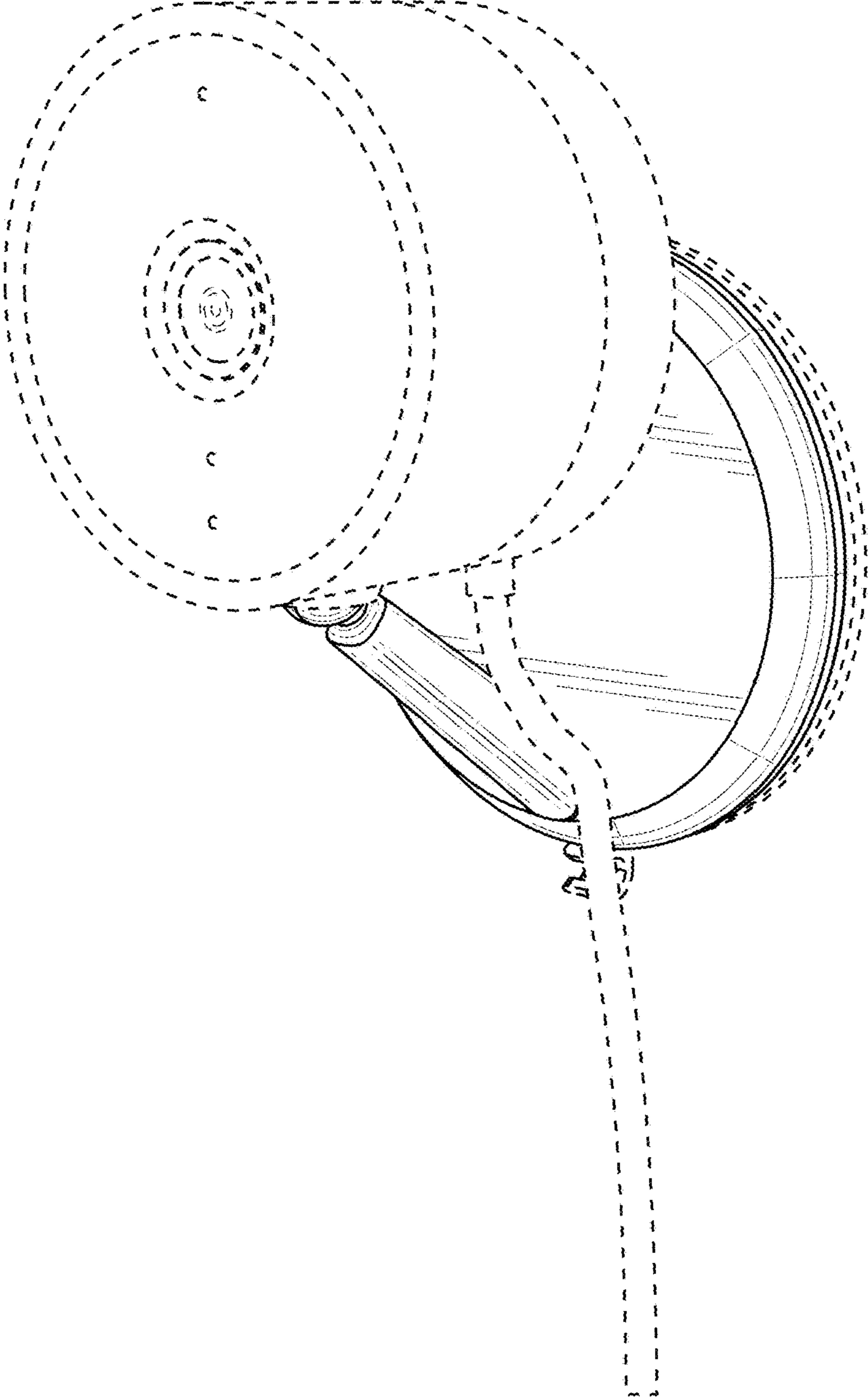


FIG. 10