



US00D863405S

(12) **United States Design Patent**  
**Tajima**

(10) **Patent No.:** **US D863,405 S**

(45) **Date of Patent:** **\*\* Oct. 15, 2019**

(54) **DIGITAL CAMERA**

(71) Applicant: **OLYMPUS CORPORATION**,  
Hachioji-shi, Tokyo (JP)

(72) Inventor: **Kenji Tajima**, Hachioji (JP)

(73) Assignee: **OLYMPUS CORPORATION**, Tokyo  
(JP)

(\*\*) Term: **15 Years**

(21) Appl. No.: **29/609,495**

(22) Filed: **Jun. 30, 2017**

(30) **Foreign Application Priority Data**

Mar. 16, 2017 (JP) ..... 2017-005353

(51) **LOC (12) Cl.** ..... **16-01**

(52) **U.S. Cl.**  
USPC ..... **D16/219**

(58) **Field of Classification Search**  
USPC ..... D16/200, 202–205, 208, 214, 218, 219;  
348/14.01–14.06, 143, 148, 151,  
348/373–376; 396/419, 427, 535,  
396/539–541  
CPC ..... G03B 17/02; G03B 19/04; G03B 17/56;  
G03B 17/04; G03B 15/03; H04N 5/2251;  
H04N 5/2252; H04N 5/2253; H04N  
5/2254; H04N 2007/145; H04N 7/141;  
H04N 7/142; H04N 7/147; H04N 7/148;  
H04N 7/15; H04N 7/152

See application file for complete search history.

(56) **References Cited**

**U.S. PATENT DOCUMENTS**

D547,343 S \* 7/2007 Sato ..... D16/202  
D582,956 S \* 12/2008 Imai ..... D16/202

D605,677 S \* 12/2009 Shimobayashi ..... D16/202  
D631,078 S \* 1/2011 Nohara ..... D16/202  
D646,314 S \* 10/2011 Nohara ..... D16/202  
D657,408 S \* 4/2012 Tainaka ..... D16/202  
D662,961 S \* 7/2012 Muraki ..... D16/219  
D689,111 S \* 9/2013 Kobayashi ..... D16/202  
8,537,275 B2 \* 9/2013 Odagaki ..... G03B 17/17  
348/373  
D695,811 S \* 12/2013 Nohara ..... D16/219  
D710,924 S \* 8/2014 Nohara ..... D16/219  
D779,574 S \* 2/2017 Nakajima ..... D16/202  
2011/0109790 A1 \* 5/2011 Shinohara ..... G03B 17/14  
348/373

\* cited by examiner

*Primary Examiner* — Ramzi S Almatrahi

(74) *Attorney, Agent, or Firm* — Holtz, Holtz & Volek PC

(57) **CLAIM**

The ornamental design for a digital camera, as shown and described.

**DESCRIPTION**

FIG. 1 is a front, top and right side perspective view of a digital camera showing my new design; FIG. 2 is a front elevational view thereof; FIG. 3 is a rear elevational view thereof; FIG. 4 is a top plan view thereof; FIG. 5 is a bottom plan view thereof; FIG. 6 is a right side elevational view thereof; and, FIG. 7 is a left side elevational view thereof. The broken lines depict portions of the digital camera in which the design is embodied that form no part of the claimed design.

**1 Claim, 6 Drawing Sheets**

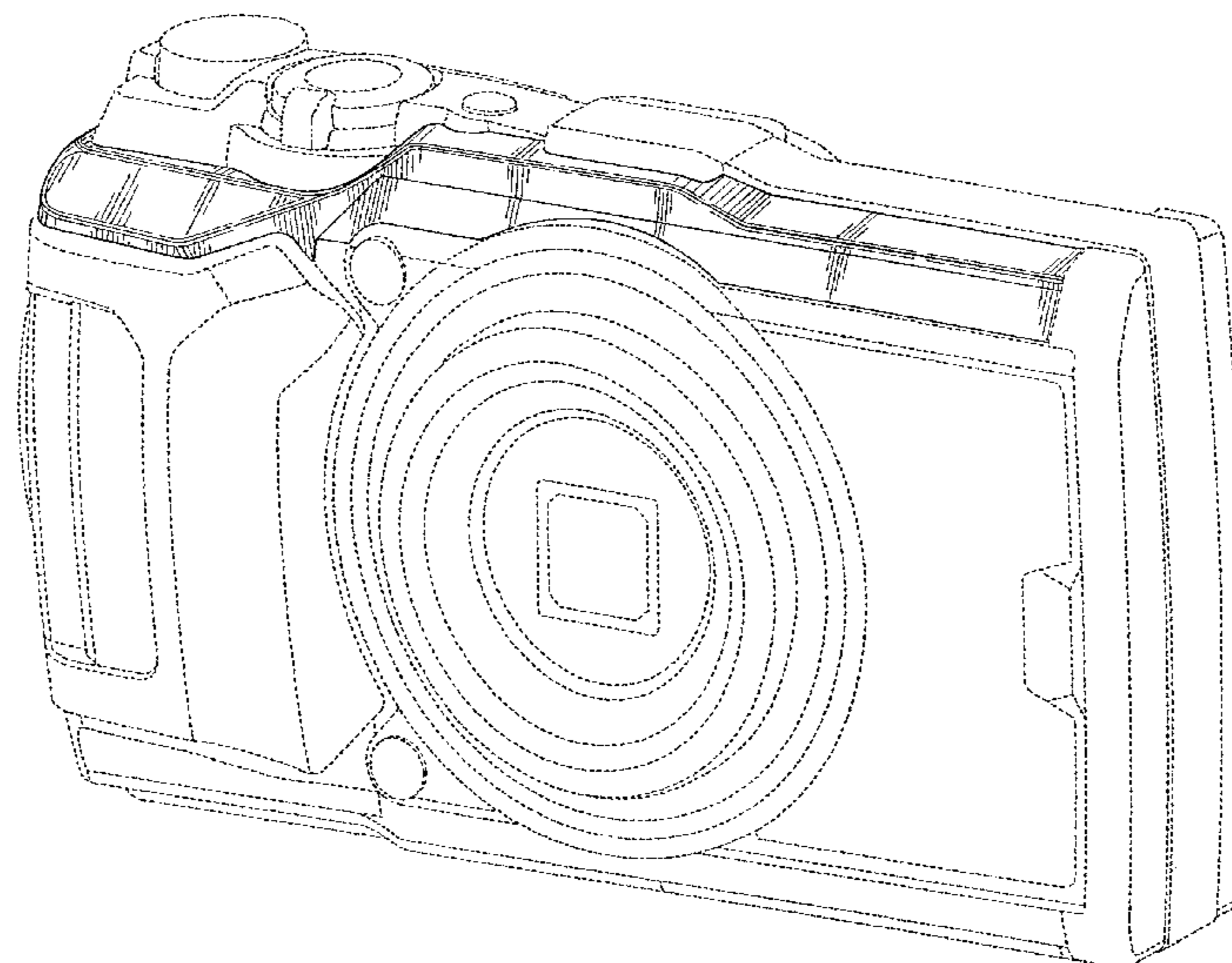
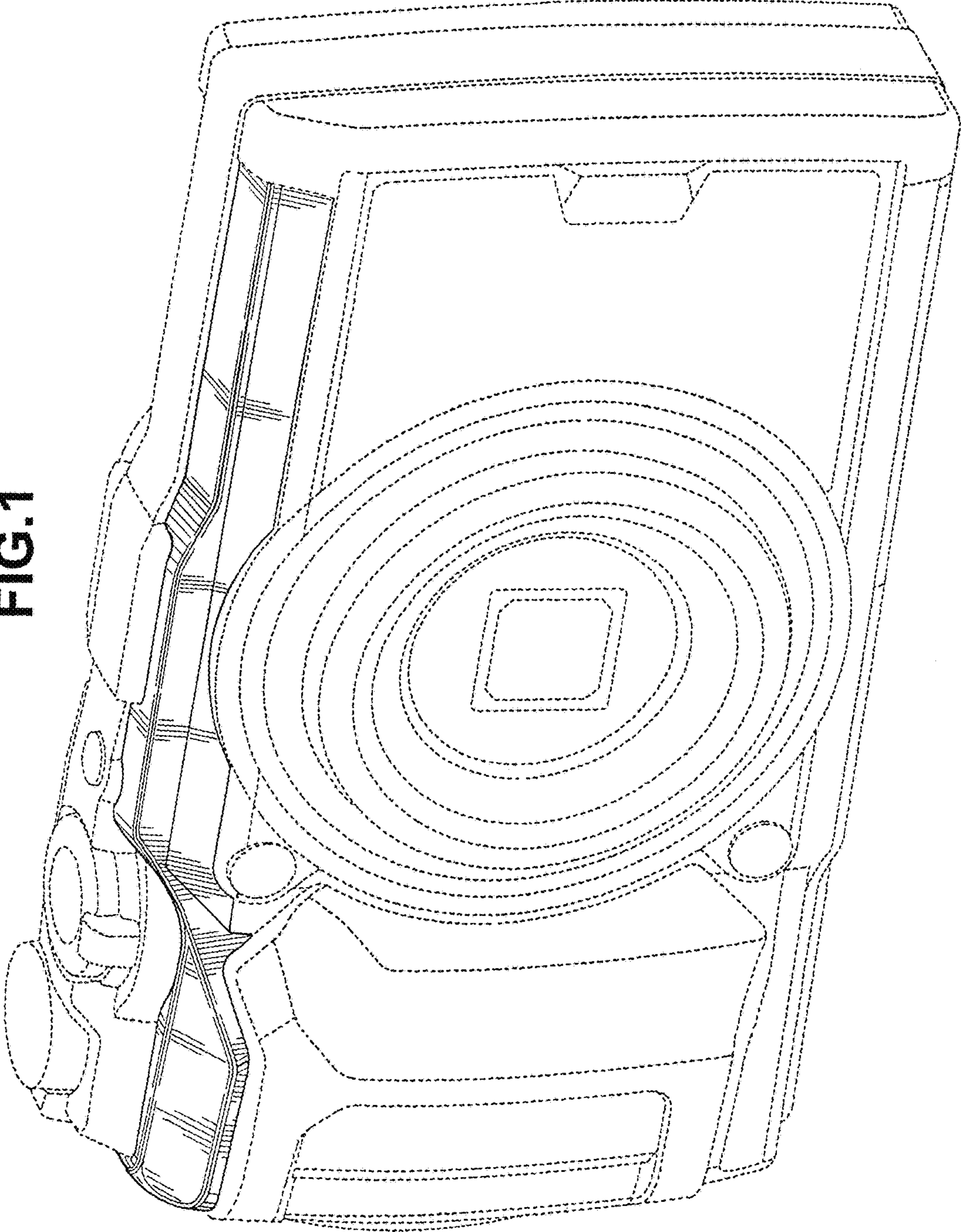
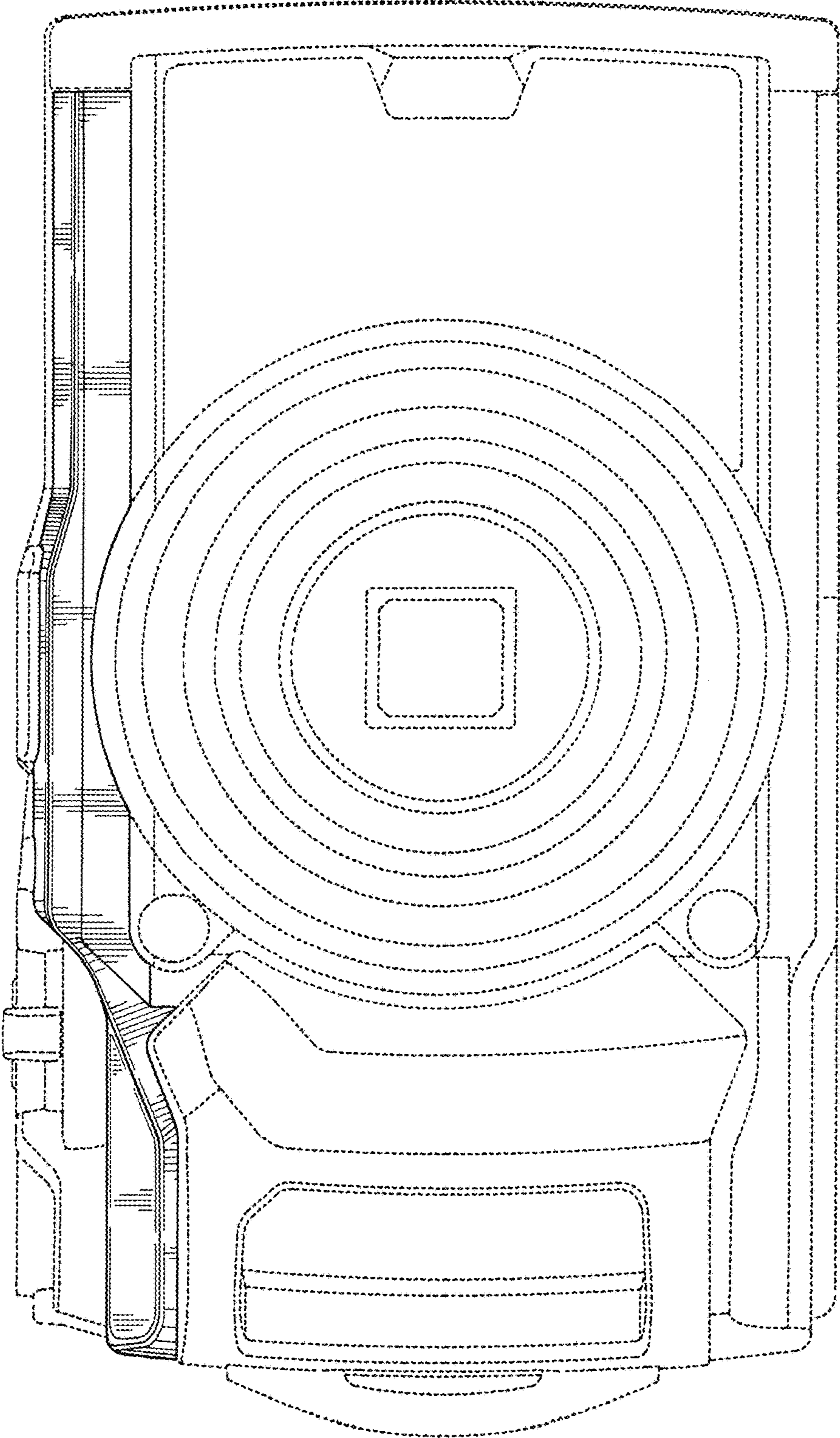


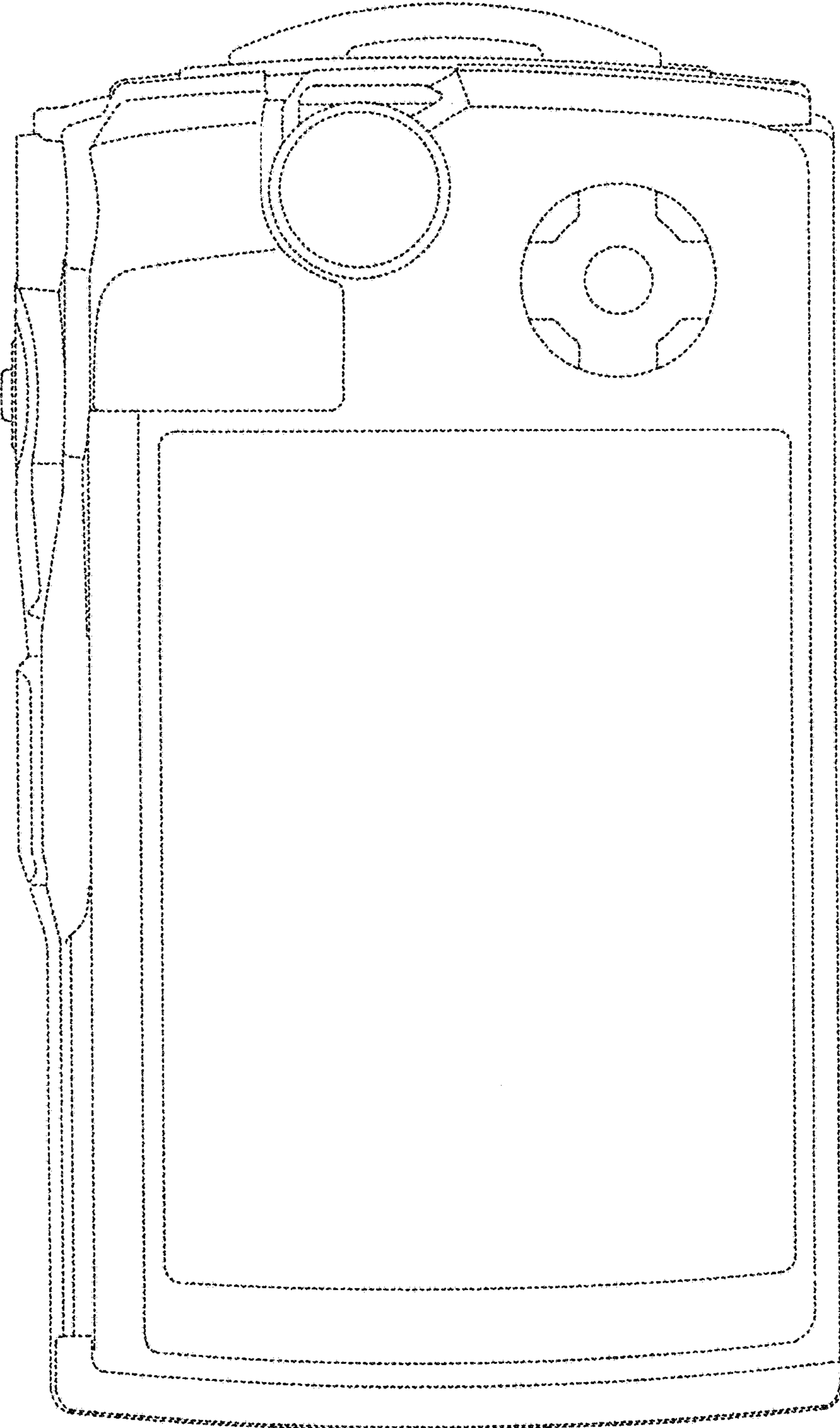
FIG.1



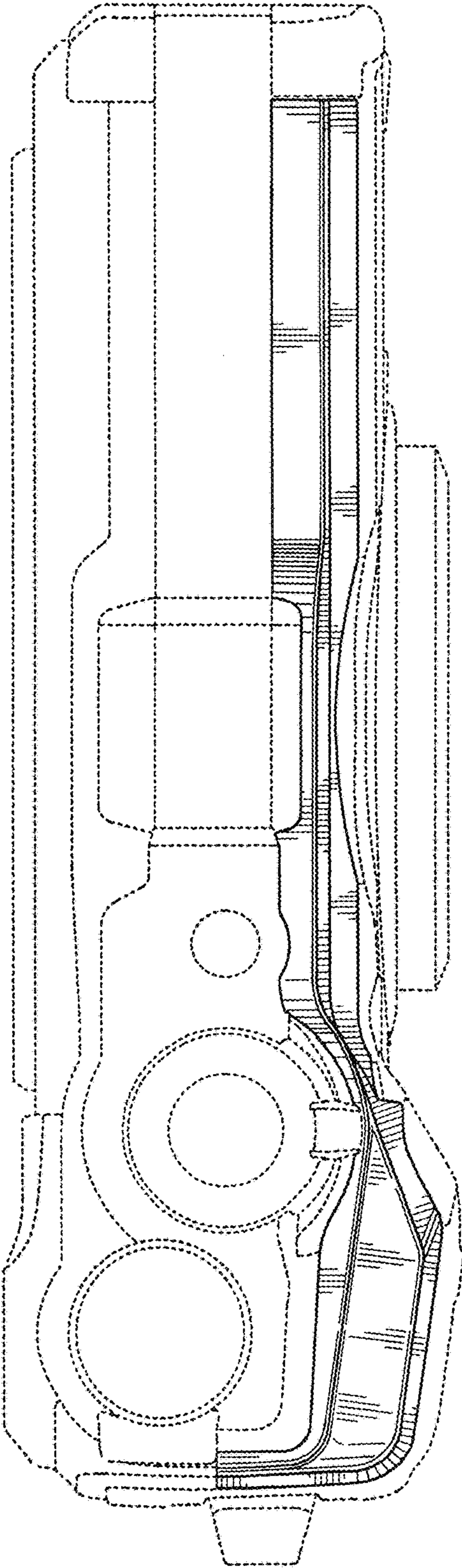
**FIG.2**



**FIG.3**



**FIG.4**



**FIG.5**

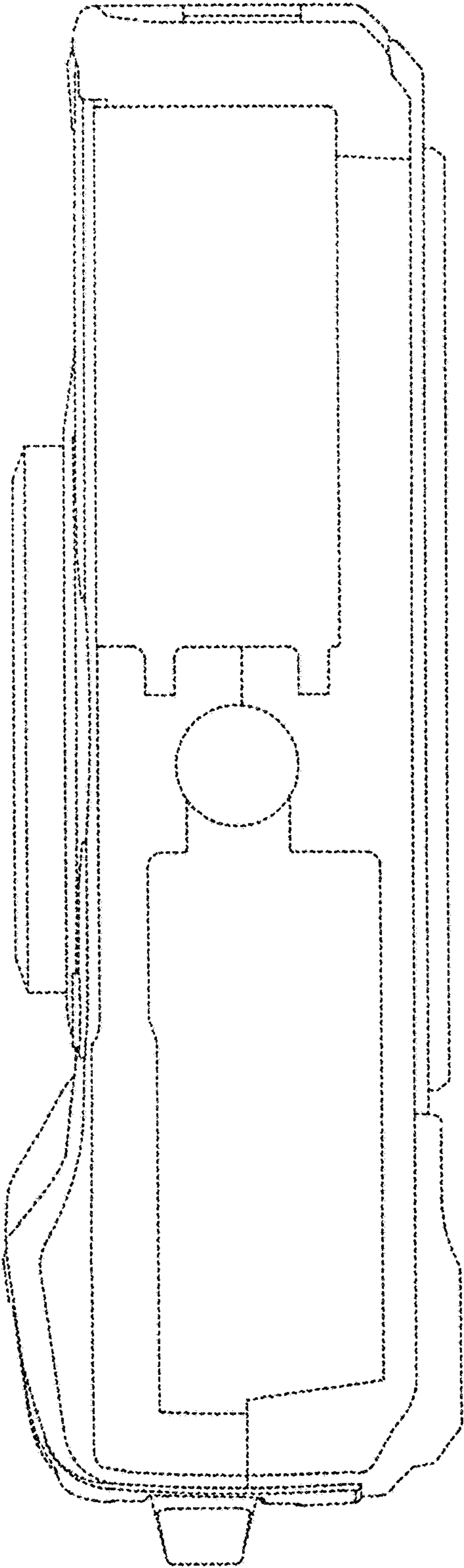


FIG.6

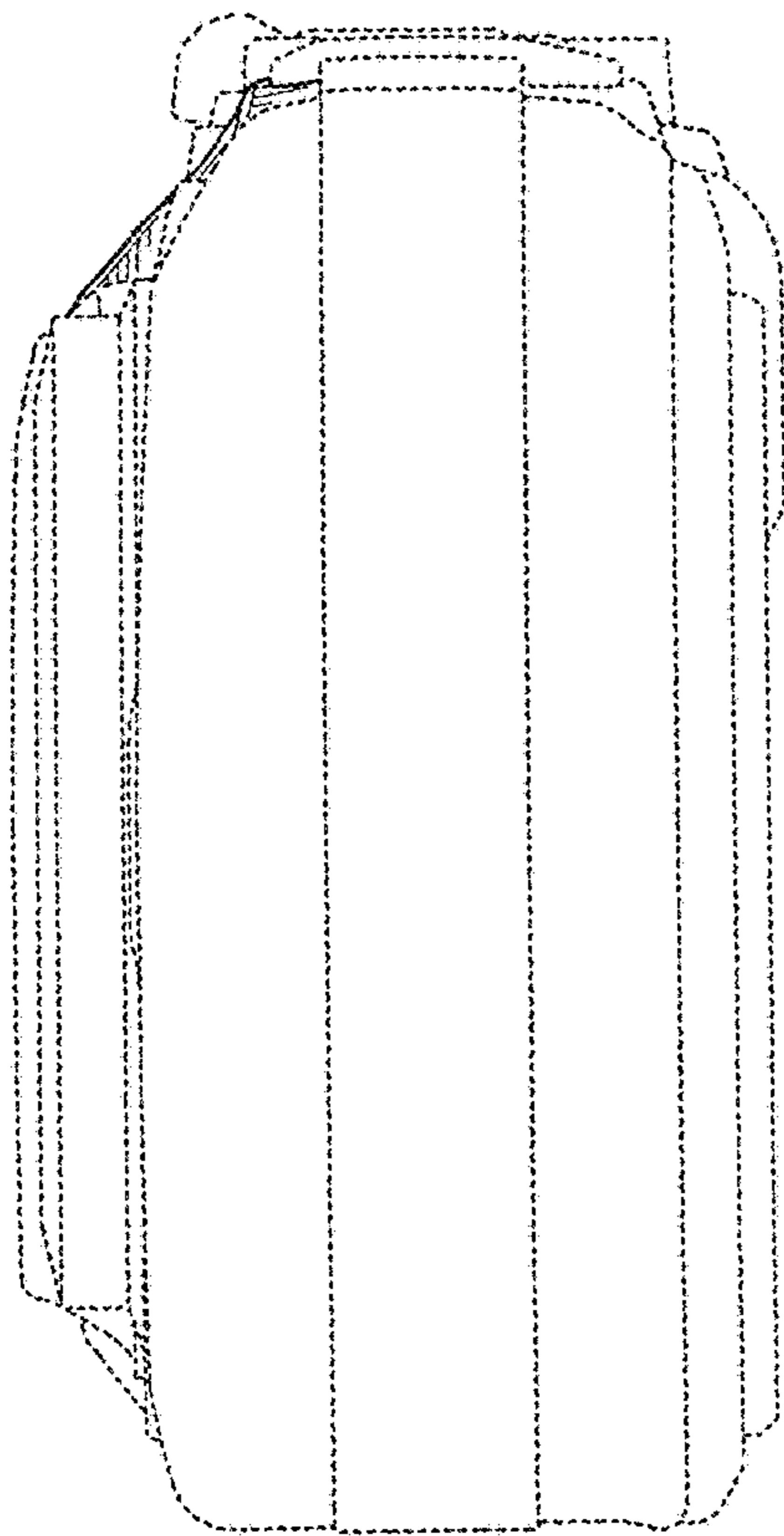


FIG.7

