



US00D863404S

(12) **United States Design Patent**
Karpenko et al.

(10) **Patent No.:** **US D863,404 S**
(45) **Date of Patent:** **** Oct. 15, 2019**

(54) **CAMERA**

(71) Applicant: **RYLO, INC.**, San Francisco, CA (US)

(72) Inventors: **Alexandre Karpenko**, San Francisco, CA (US); **Christopher Cunningham**, Redwood City, CA (US); **Jonathan Denby**, San Francisco, CA (US); **Christopher Connolly**, San Francisco, CA (US); **Lukas Skoog**, San Francisco, CA (US); **Fred Bould**, Menlo Park, CA (US); **Kwan Hon Anson Cheung**, San Francisco, CA (US); **Byron Lee**, San Mateo, CA (US)

(73) Assignee: **RYLO, INC.**, San Francisco, CA (US)

(**) Term: **15 Years**

(21) Appl. No.: **29/624,094**

(22) Filed: **Oct. 30, 2017**

(51) **LOC (12) Cl.** **16-01**

(52) **U.S. Cl.**
USPC **D16/218**

(58) **Field of Classification Search**
USPC D16/200–204, 208, 218, 219; 348/143, 348/148, 151, 360, 373–376; 396/419, 396/427–429, 433, 529, 535, 537–541
CPC G03B 15/03; G03B 17/02; G03B 17/04; G03B 17/48; G03B 17/56; G03B 19/04; G08G 1/0175; H04N 5/2251; H04N 5/2252; H04N 5/2253; H04N 5/2254
See application file for complete search history.

(56) **References Cited**

U.S. PATENT DOCUMENTS

D475,381 S * 6/2003 **Komatsu** D16/202
D590,863 S * 4/2009 **Ke** D16/202

D610,185 S * 2/2010 **Chou** D16/207
D794,695 S * 8/2017 **Zhang** D16/218
D805,570 S * 12/2017 **Shi** D16/202
D816,752 S * 5/2018 **Kim** D16/202
D818,029 S * 5/2018 **Fujita** D16/218
D819,112 S * 5/2018 **Kim** D16/218
D820,898 S * 6/2018 **Fujita** D16/218
D829,260 S * 9/2018 **Fujita** D16/218
D830,446 S * 10/2018 **Muhlenkamp, IV** D16/218
D836,147 S * 12/2018 **Rao** D16/203
D839,945 S * 2/2019 **Lenz** D16/218

* cited by examiner

Primary Examiner — **Ramzi S Almatrahi**

(74) *Attorney, Agent, or Firm* — **Schwegman Lundberg & Woessner, P.A.**

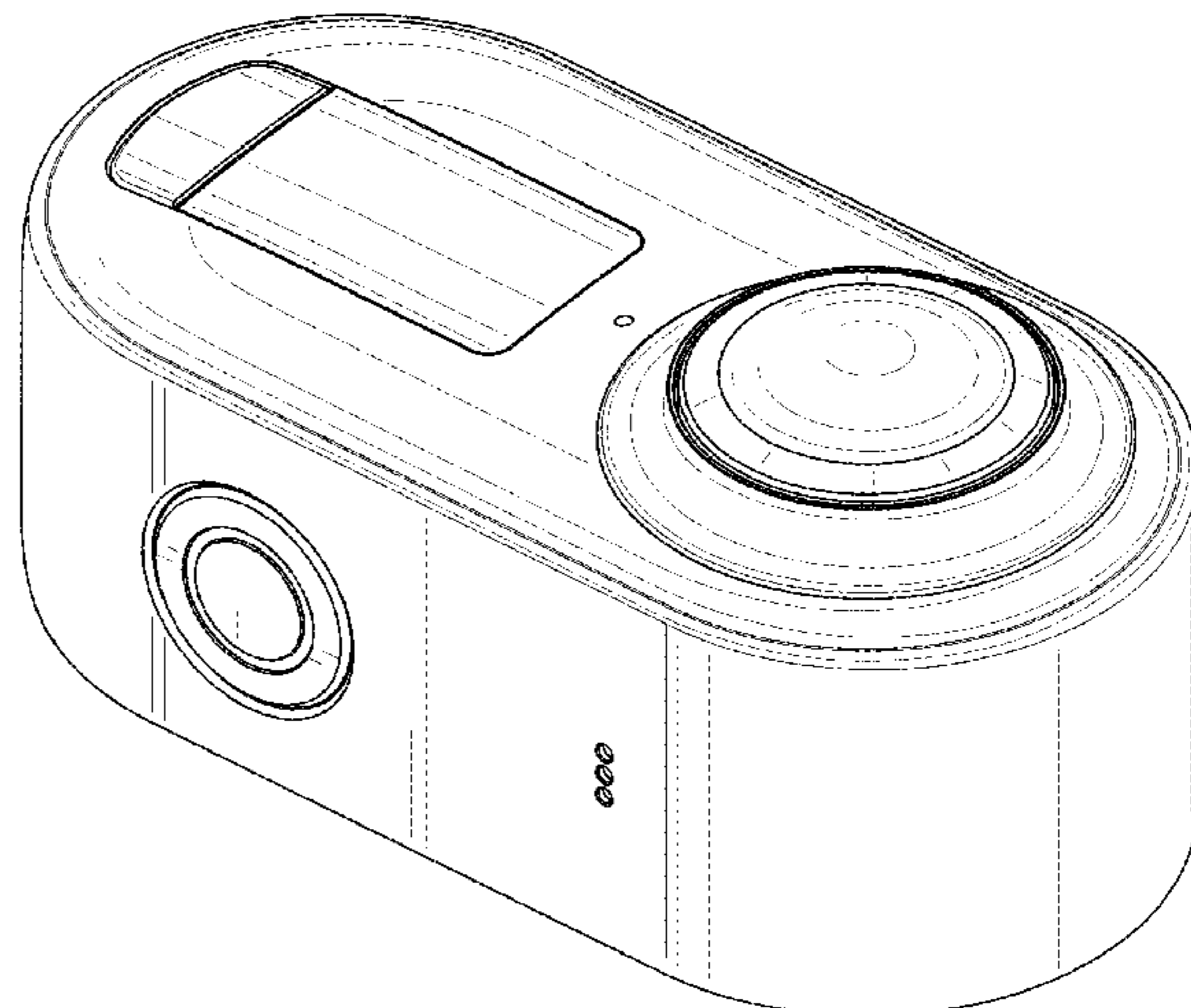
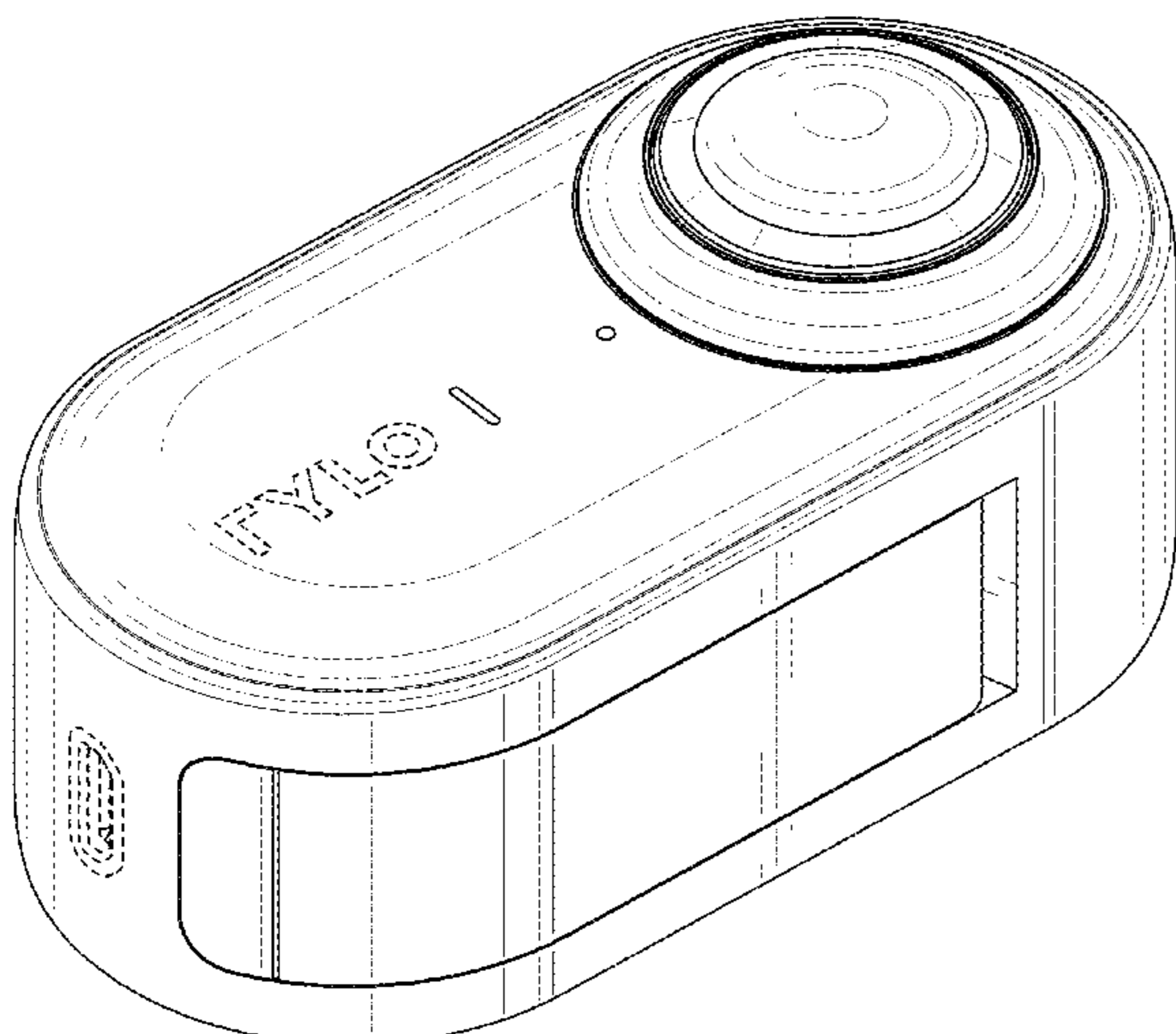
(57) **CLAIM**

The ornamental design for a camera, as shown and described.

DESCRIPTION

FIG. 1 is a front view of a camera, showing our new design. FIG. 2 is a rear view thereof. FIG. 3 is a top view thereof. FIG. 4 is a bottom view thereof. FIG. 5 is a right side view thereof. FIG. 6 is a left side view thereof. FIG. 7 is a bottom-right-front perspective view thereof. FIG. 8 is a bottom-right-rear perspective view thereof. FIG. 9 is a top-left-front perspective view thereof; and, FIG. 10 is a top-left-rear perspective view thereof. The broken lines depict portions of the camera in which the design is embodied that form no part of the claimed design.

1 Claim, 10 Drawing Sheets



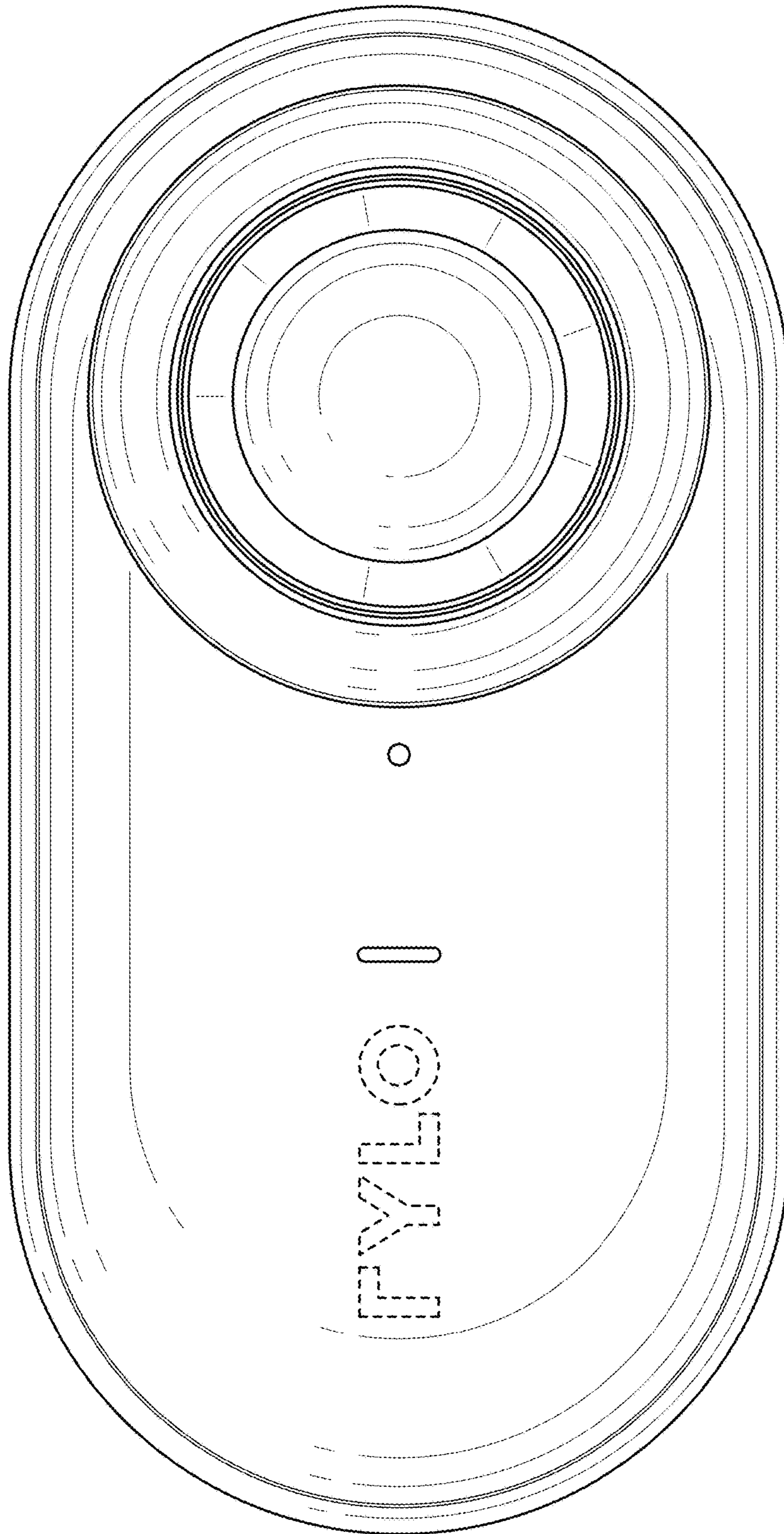


FIG. 1

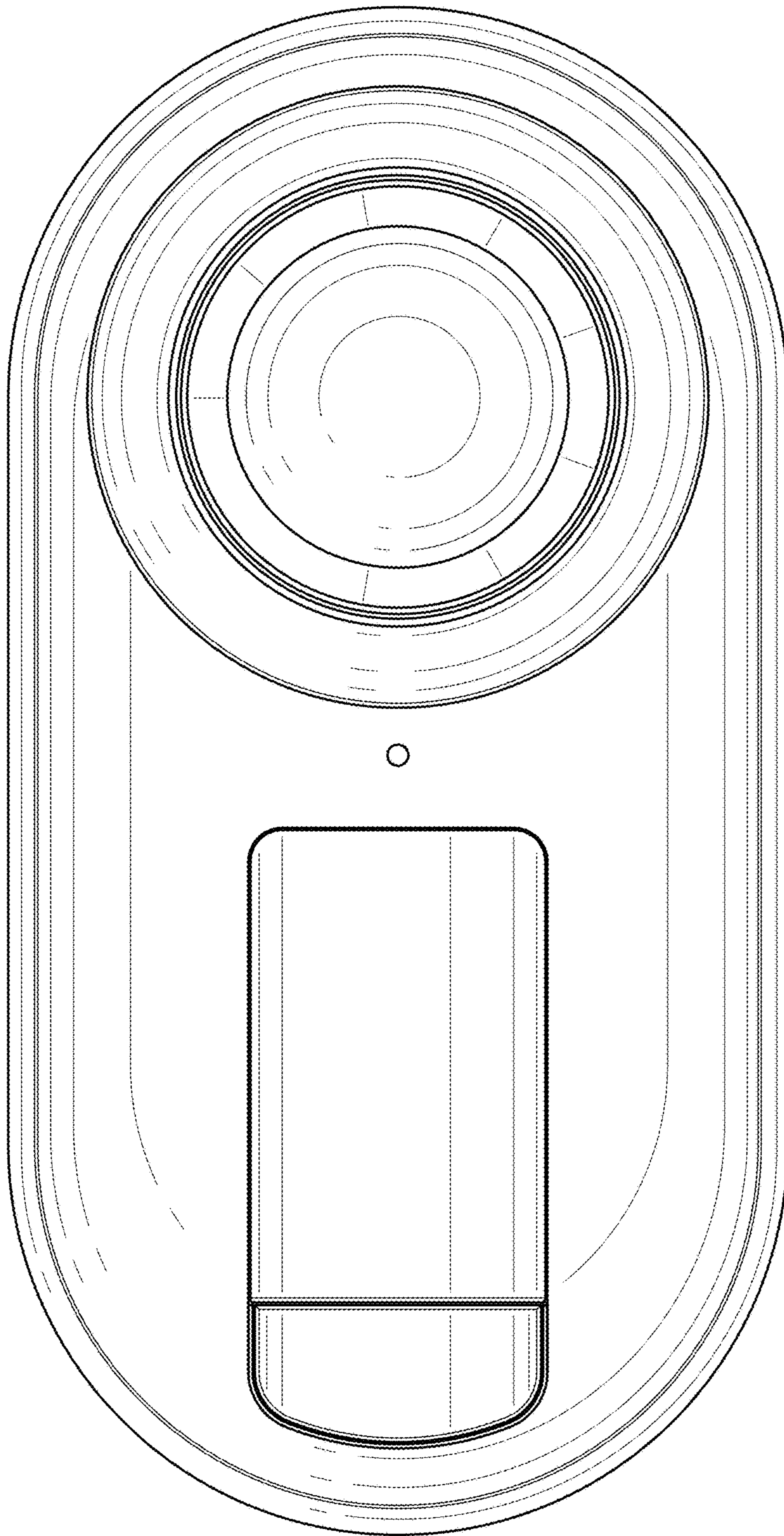


FIG. 2

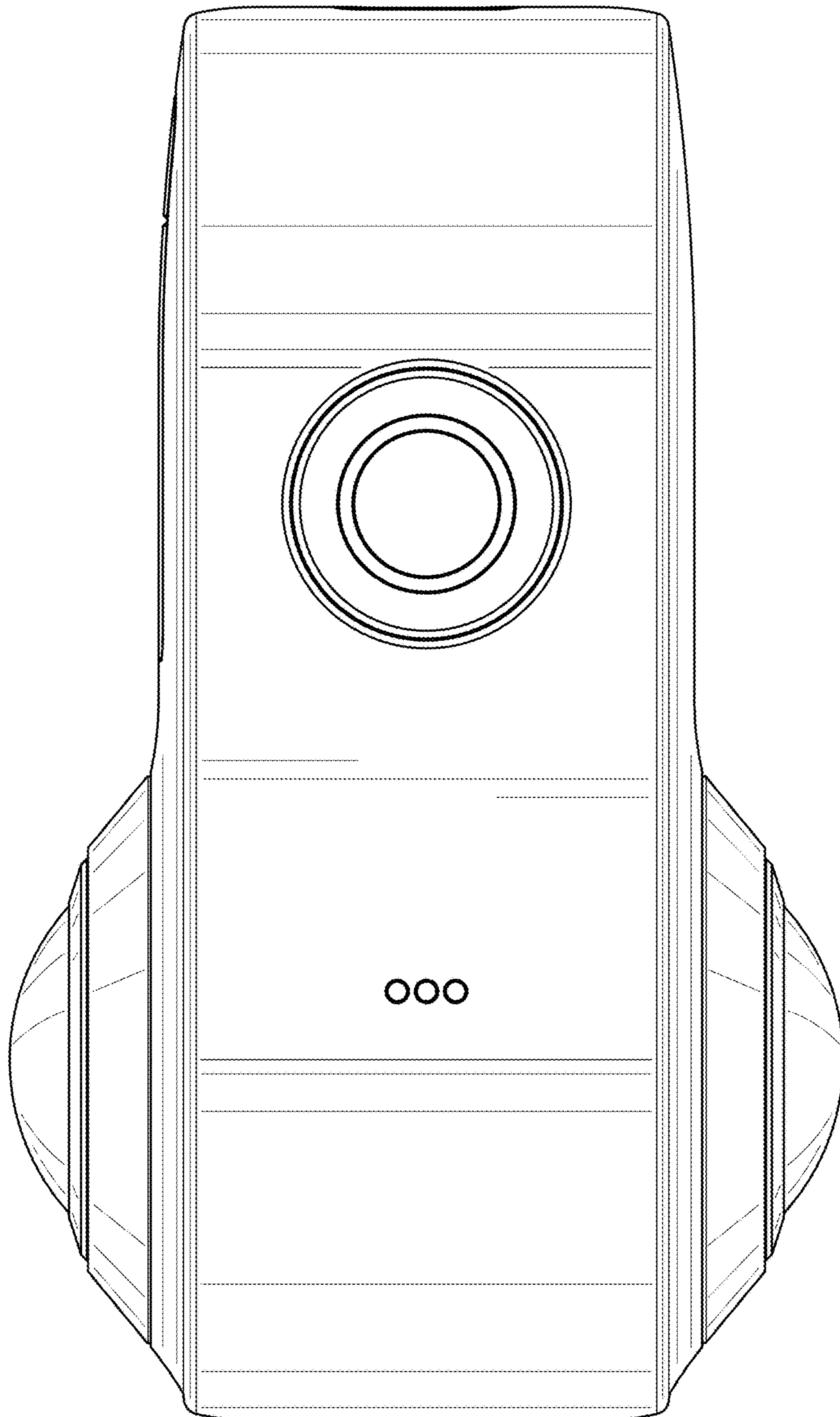


FIG. 3

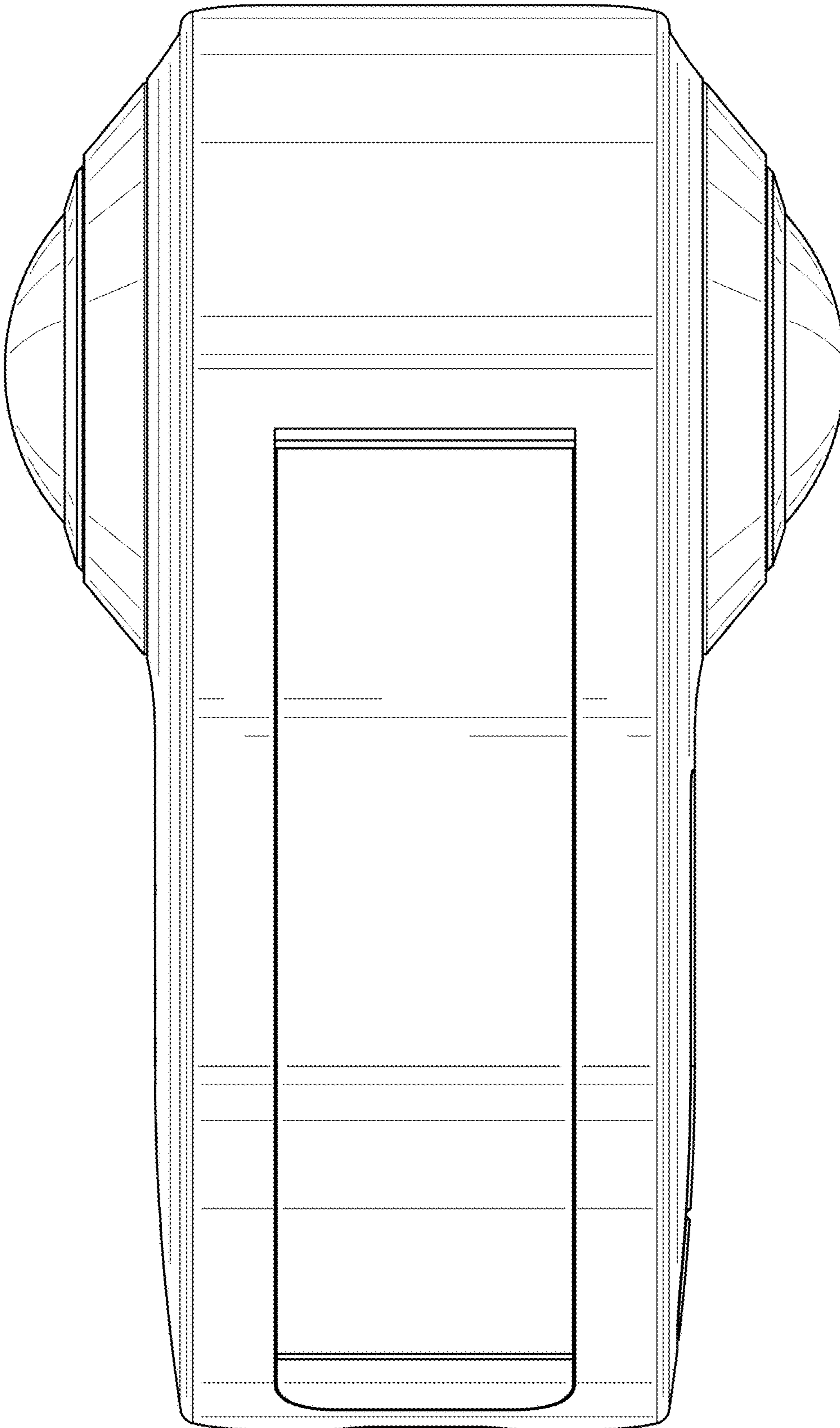


FIG. 4

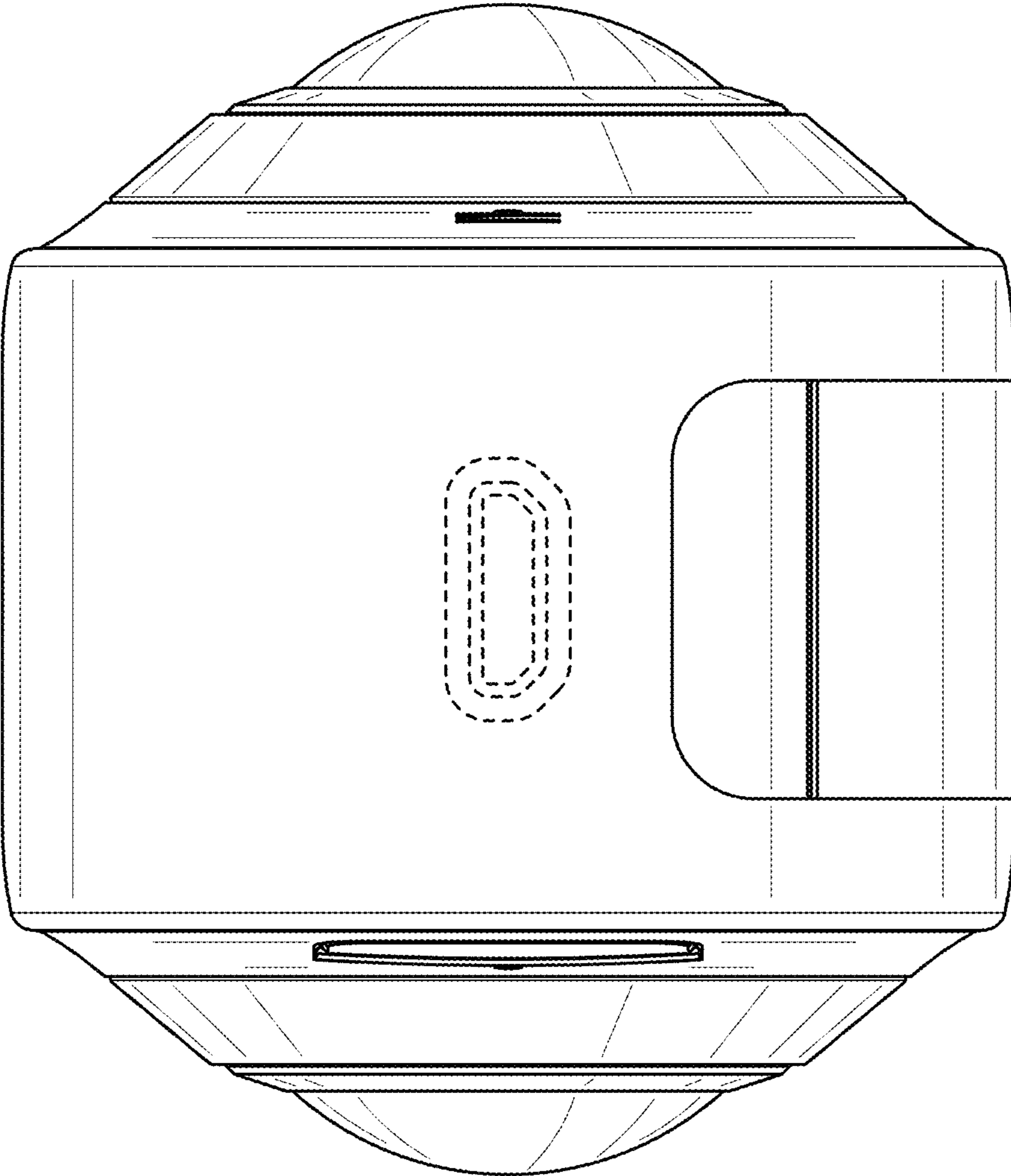


FIG. 5

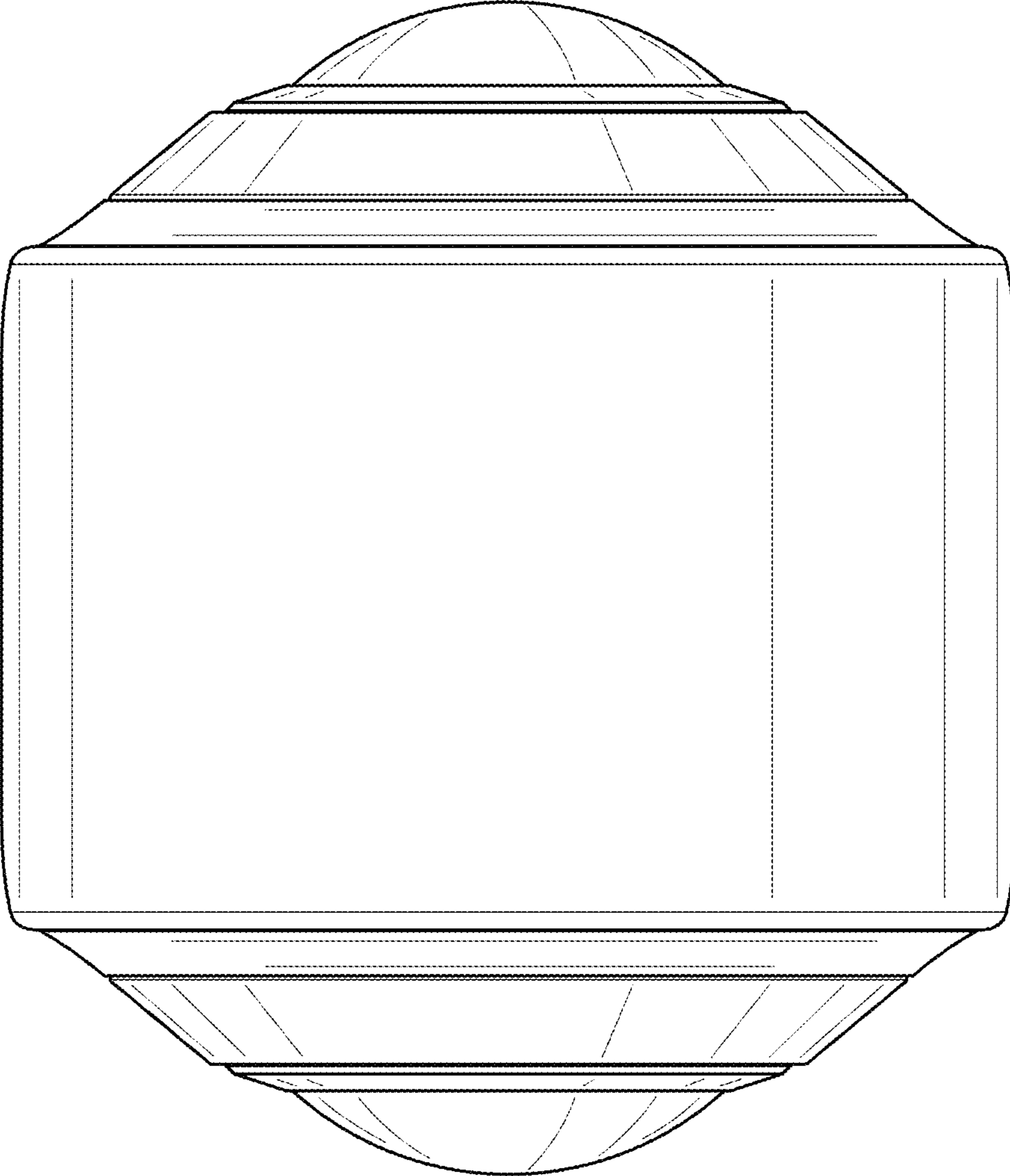


FIG. 6

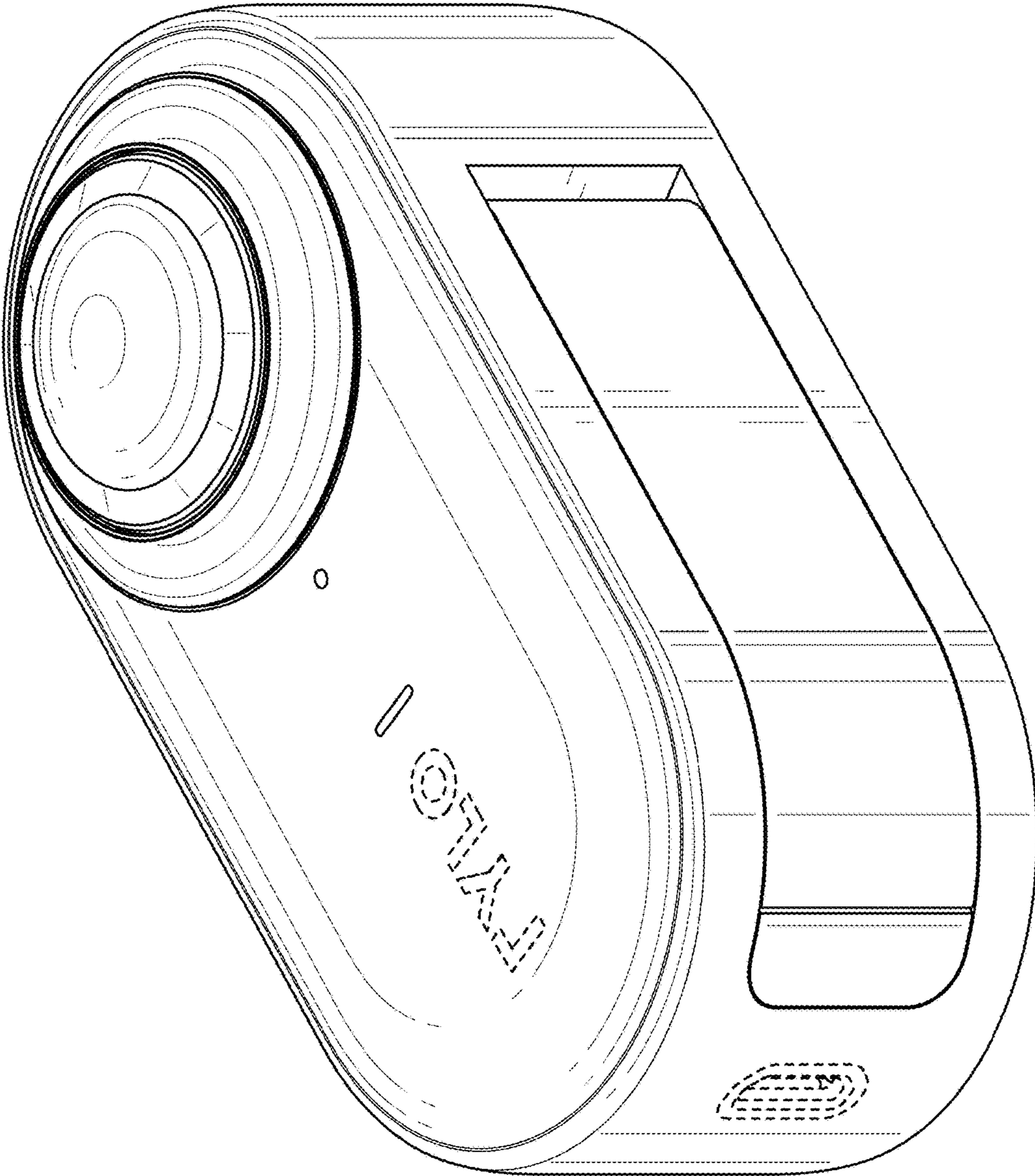


FIG. 7

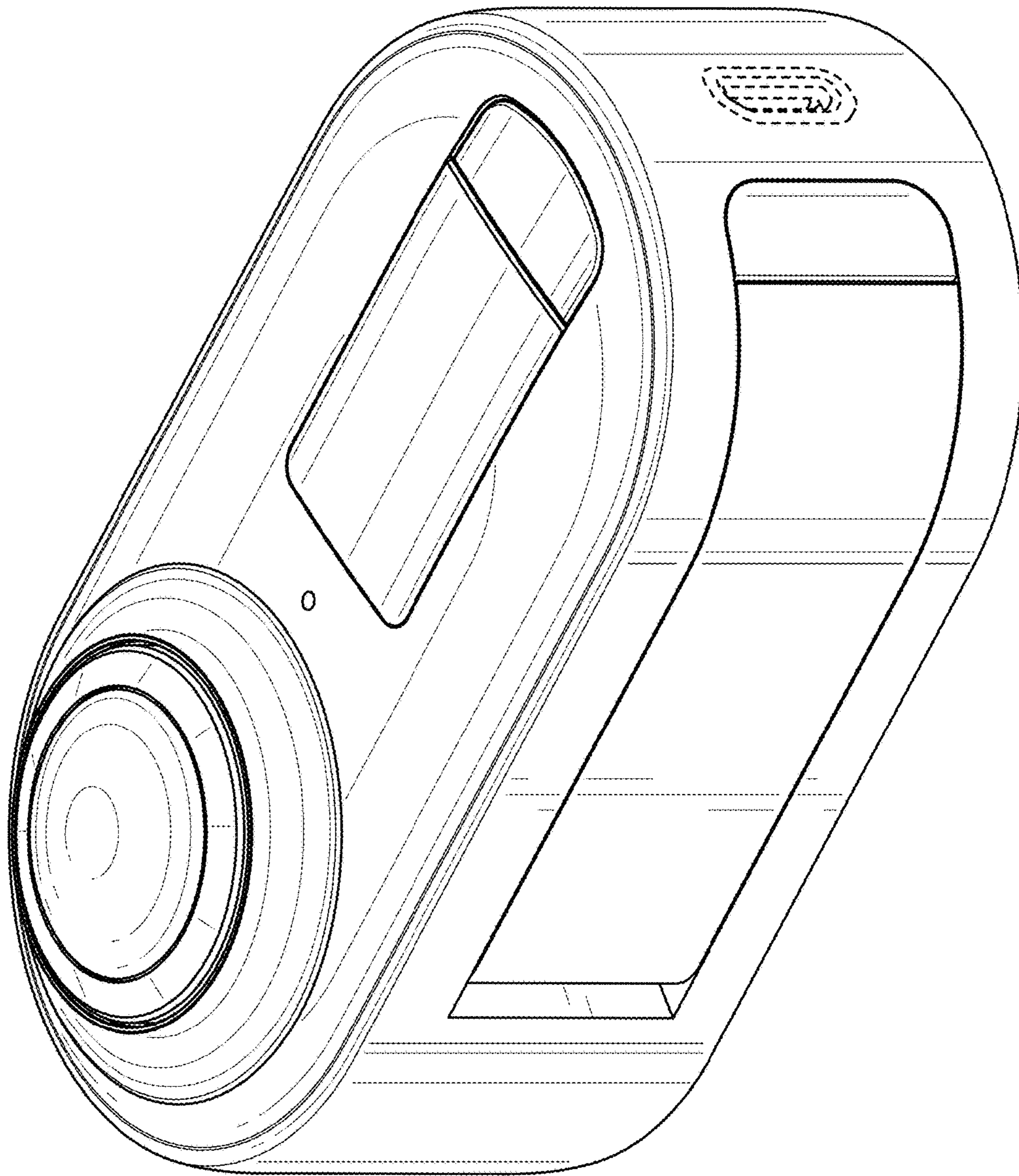


FIG. 8

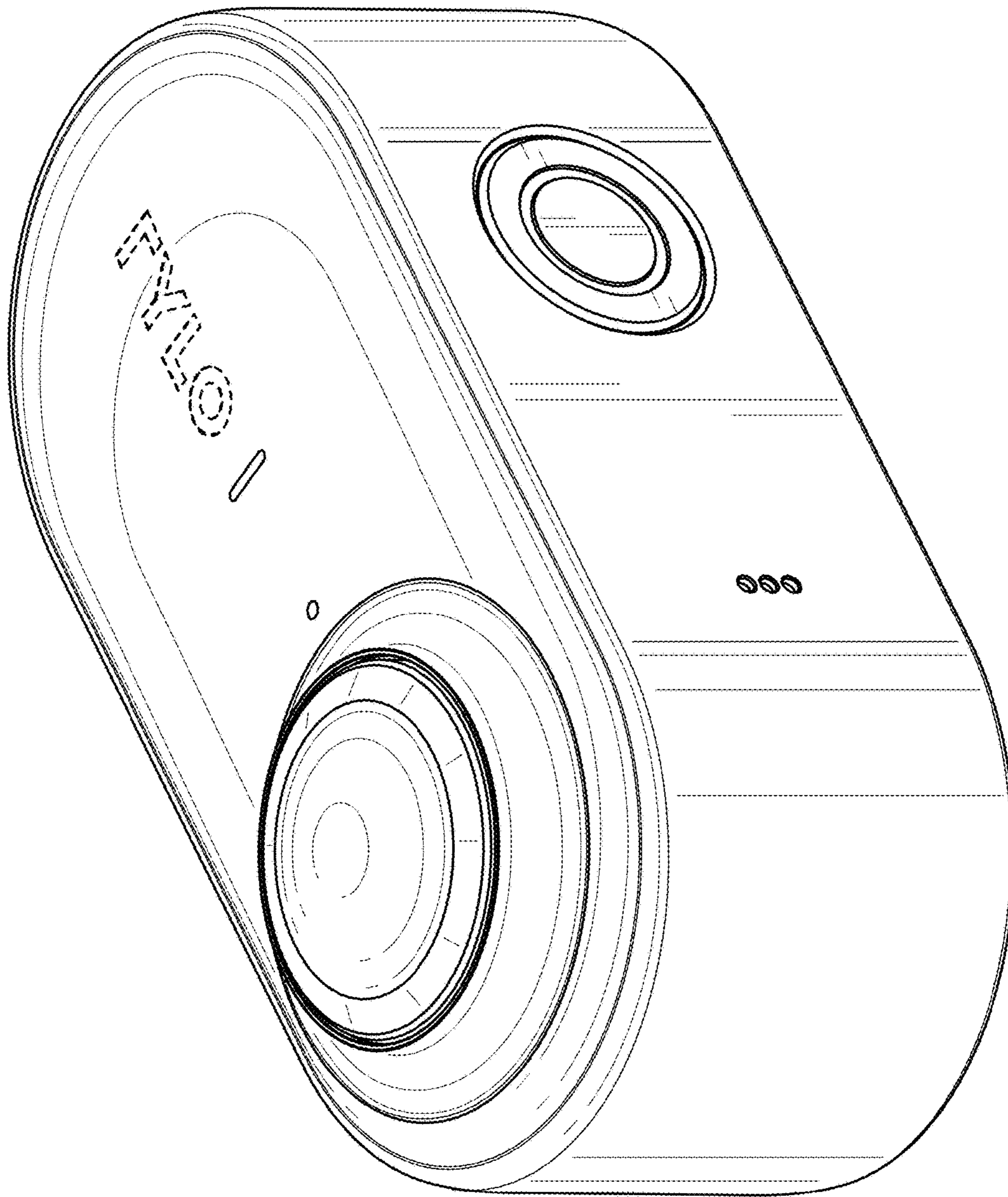


FIG. 9

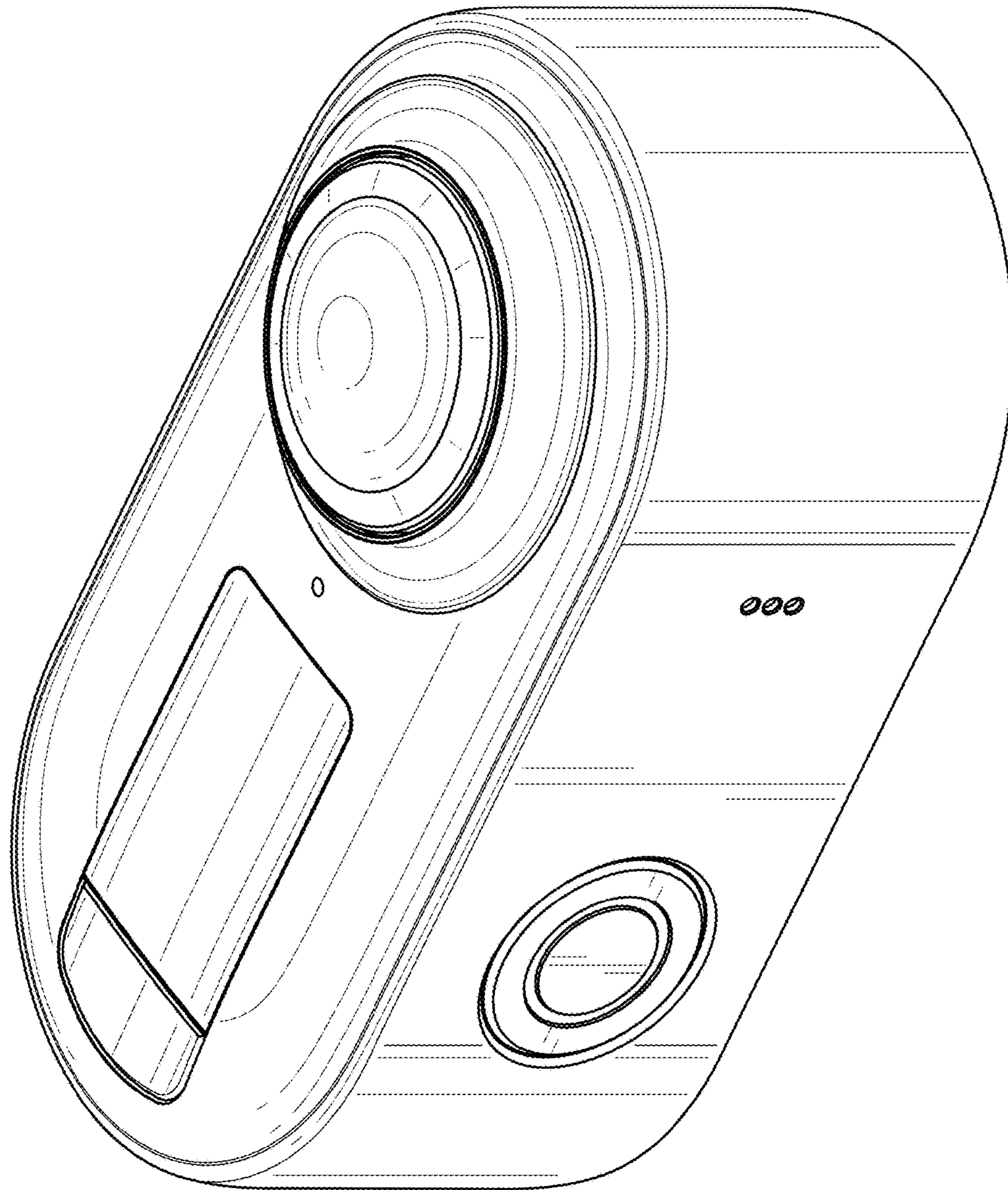


FIG. 10