



US00D863402S

(12) **United States Design Patent** (10) **Patent No.:** **US D863,402 S**
Guo (45) **Date of Patent:** **** Oct. 15, 2019**

- (54) **SECURITY CAMERA**
- (71) Applicant: **Shenzhen Cnest Electronic Technology Co., Ltd., Shenzhen (CN)**
- (72) Inventor: **Lei Guo, Shenzhen (CN)**
- (73) Assignee: **Shenzhen Cnest Electronic Technology Co., Ltd., Shenzhen (CN)**
- (**) Term: **15 Years**
- (21) Appl. No.: **29/656,015**
- (22) Filed: **Jul. 10, 2018**
- (51) **LOC (12) Cl.** **16-01**
- (52) **U.S. Cl.**
USPC **D16/203; D16/202**
- (58) **Field of Classification Search**
USPC D16/200, 202, 203, 218; D21/578, 623;
D14/420, 159; D13/168; D15/199
CPC H04N 7/18; H04N 7/183; H04N 5/2251;
H04N 5/2252; H04N 5/2258; G08B
13/19617; G08B 13/19619; G08B
13/1963; G08B 21/0247; G03B 17/561;
G03B 17/566; G03B 17/02; G03B 37/02;
H01Q 1/007; H02J 7/0063
See application file for complete search history.

(56) **References Cited**
U.S. PATENT DOCUMENTS

D500,067 S *	12/2004	Liu	D16/202
D550,738 S *	9/2007	Hsia	D16/202
D552,650 S *	10/2007	Yamakawa	D16/203
D558,249 S *	12/2007	Hsia	D16/203
D583,845 S *	12/2008	Hayashi	D14/130
D608,811 S *	1/2010	Frank	D16/203
D637,173 S *	5/2011	Elkerbout	D14/159
D685,438 S *	7/2013	Fan	D15/199
D728,654 S *	5/2015	Lee	D16/202

D747,383 S *	1/2016	Li	D16/203
D753,204 S *	4/2016	Luo	D16/202
D753,206 S *	4/2016	Ravat	D16/203
D754,662 S *	4/2016	Volta	D14/420
D786,329 S *	5/2017	Kamei	D16/202
D790,620 S *	6/2017	Lee	D16/202
D794,106 S *	8/2017	Wang	D16/203
D803,920 S *	11/2017	Shin	D16/203
D813,290 S *	3/2018	Song	D16/203
D819,112 S *	5/2018	Kim	D16/218
D820,337 S *	6/2018	Li	D16/203
D822,742 S *	7/2018	Hathway	D16/203
D822,743 S *	7/2018	Hathway	D16/203
D836,569 S *	12/2018	Kim	D13/168
D836,690 S *	12/2018	Kim	D15/199
D836,698 S *	12/2018	Hathway	D16/203
D849,094 S *	5/2019	Gan	D16/203
2008/0008467 A1 *	1/2008	Liu	G03B 17/02 396/427

(Continued)

Primary Examiner — Sandra S Snapp
Assistant Examiner — Ieisha N Price
(74) *Attorney, Agent, or Firm* — ScienBiziP, P.C.

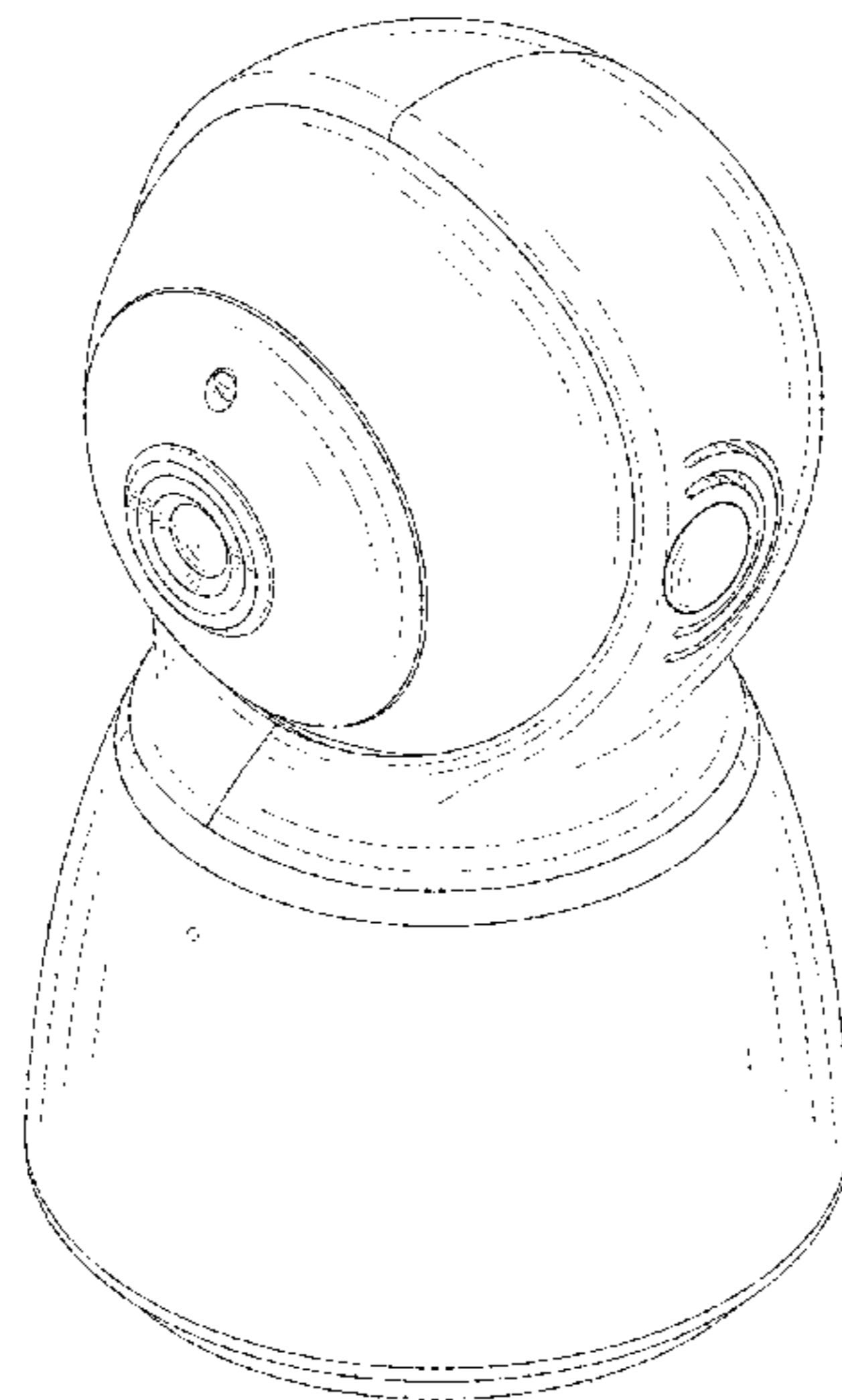
(57) **CLAIM**

The ornamental design for a security camera, as shown and described.

DESCRIPTION

FIG. 1 is a front perspective view of a security camera, showing the claimed new design;
FIG. 2 is a bottom perspective view thereof;
FIG. 3 is a front elevation view thereof;
FIG. 4 is a rear elevation view thereof;
FIG. 5 is a left side elevation view thereof;
FIG. 6 is a right side elevation view thereof;
FIG. 7 is a top plan view thereof; and,
FIG. 8 is a bottom plan view thereof.
The broken lines in the drawings illustrate portions of the security camera and form no part of the claimed design.

1 Claim, 8 Drawing Sheets



(56)

References Cited

U.S. PATENT DOCUMENTS

2008/0056709 A1* 3/2008 Huang G03B 37/02
396/427
2009/0086043 A1* 4/2009 Scheucher H02J 7/0063
348/211.4

* cited by examiner

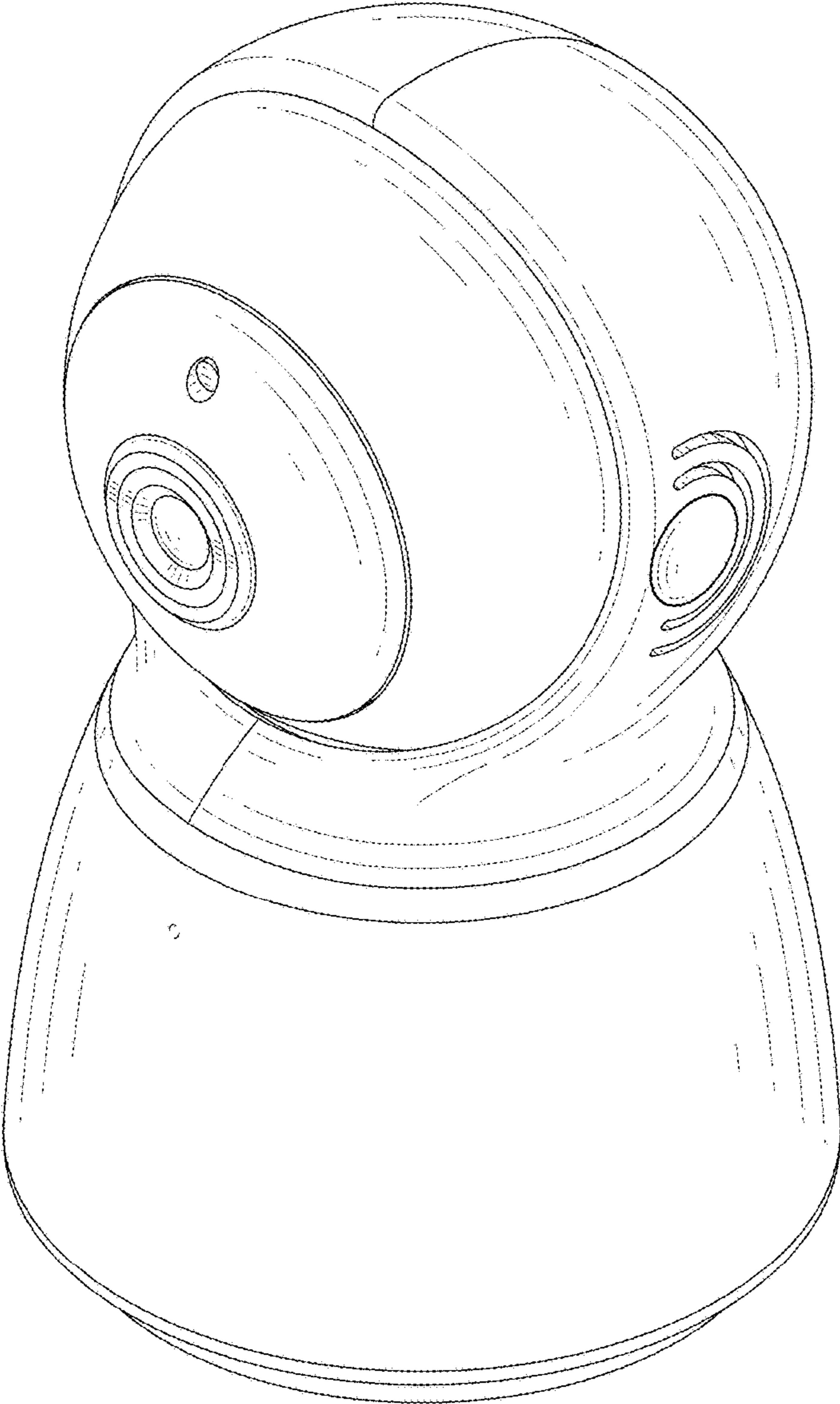


FIG. 1

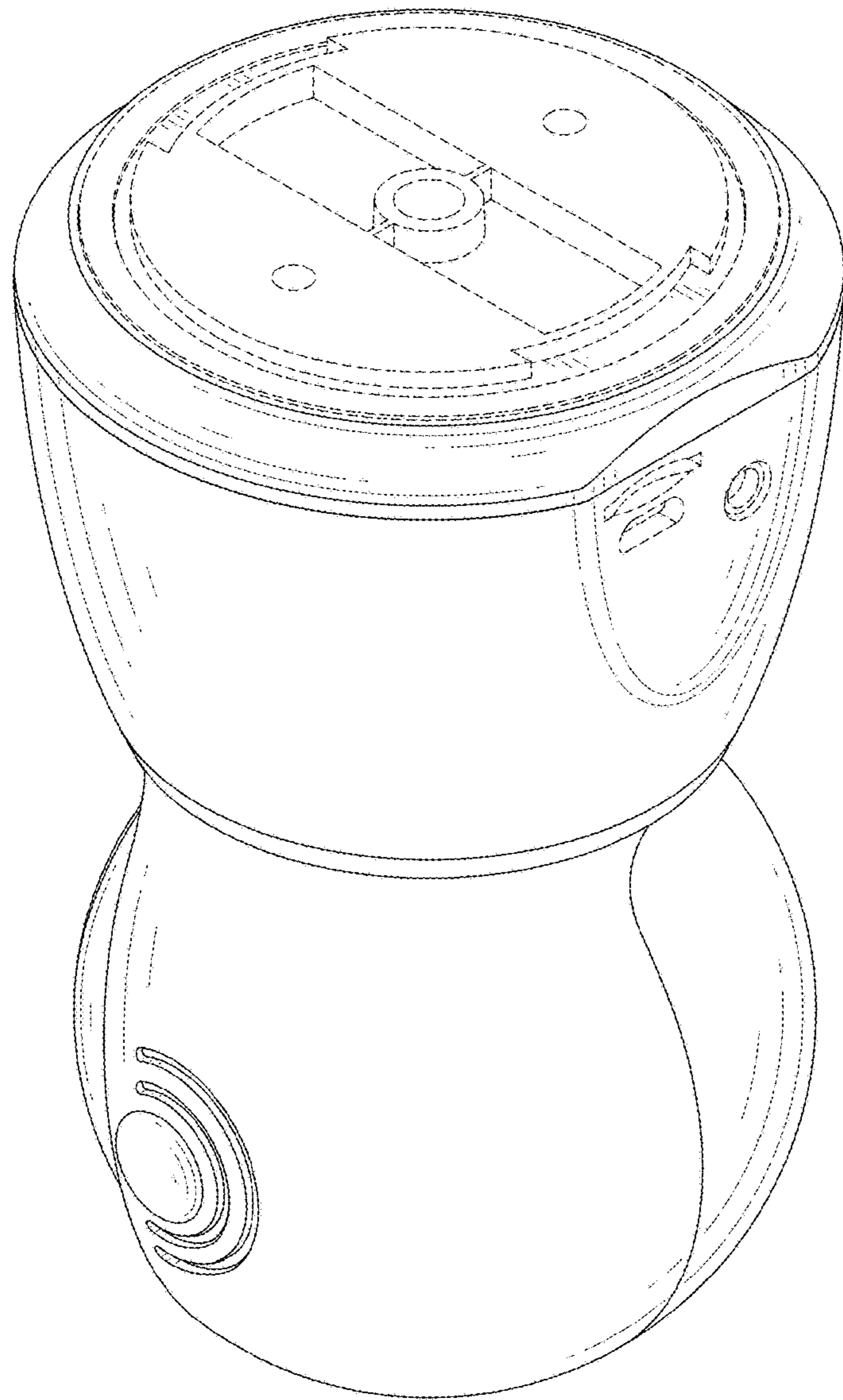


FIG. 2

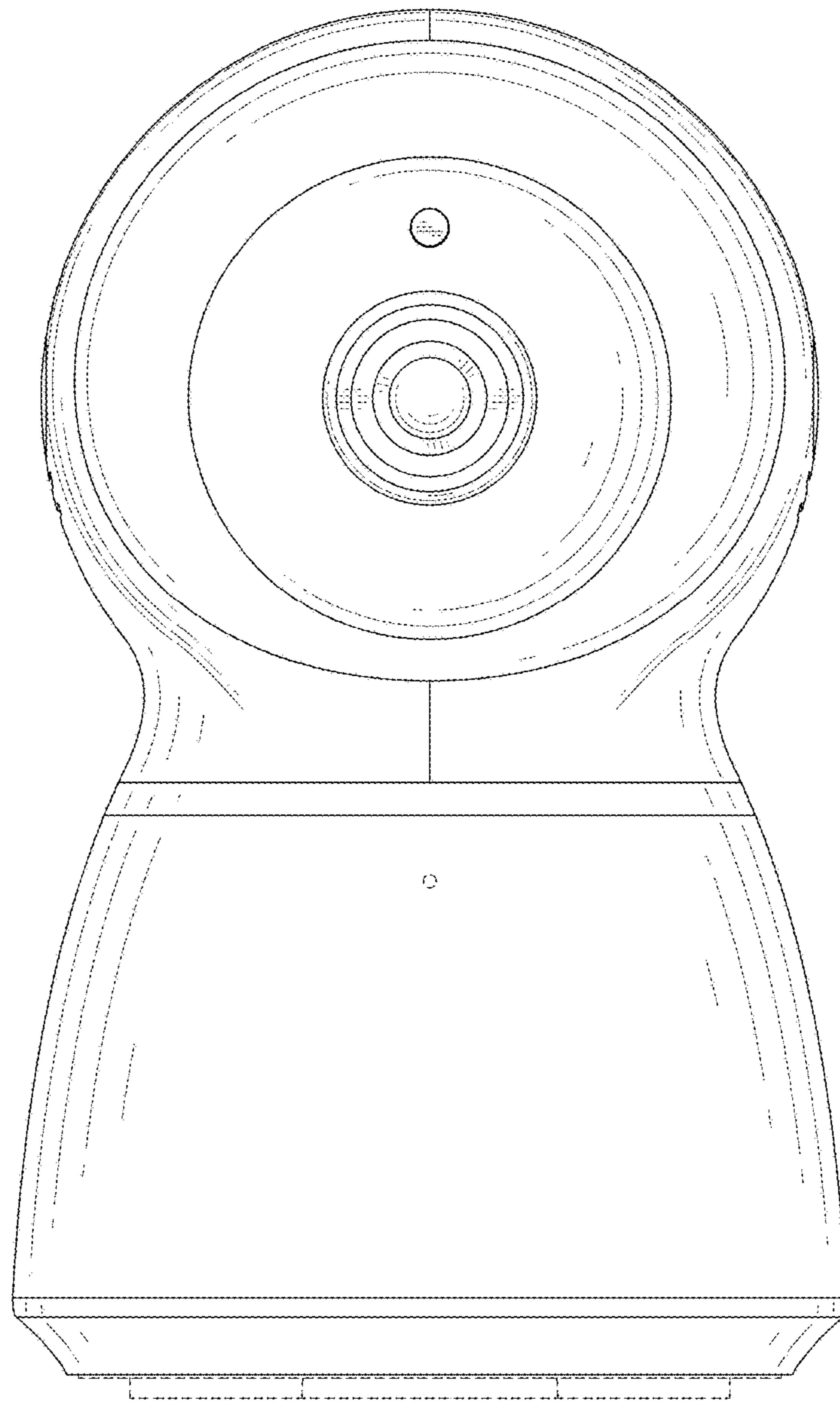


FIG. 3

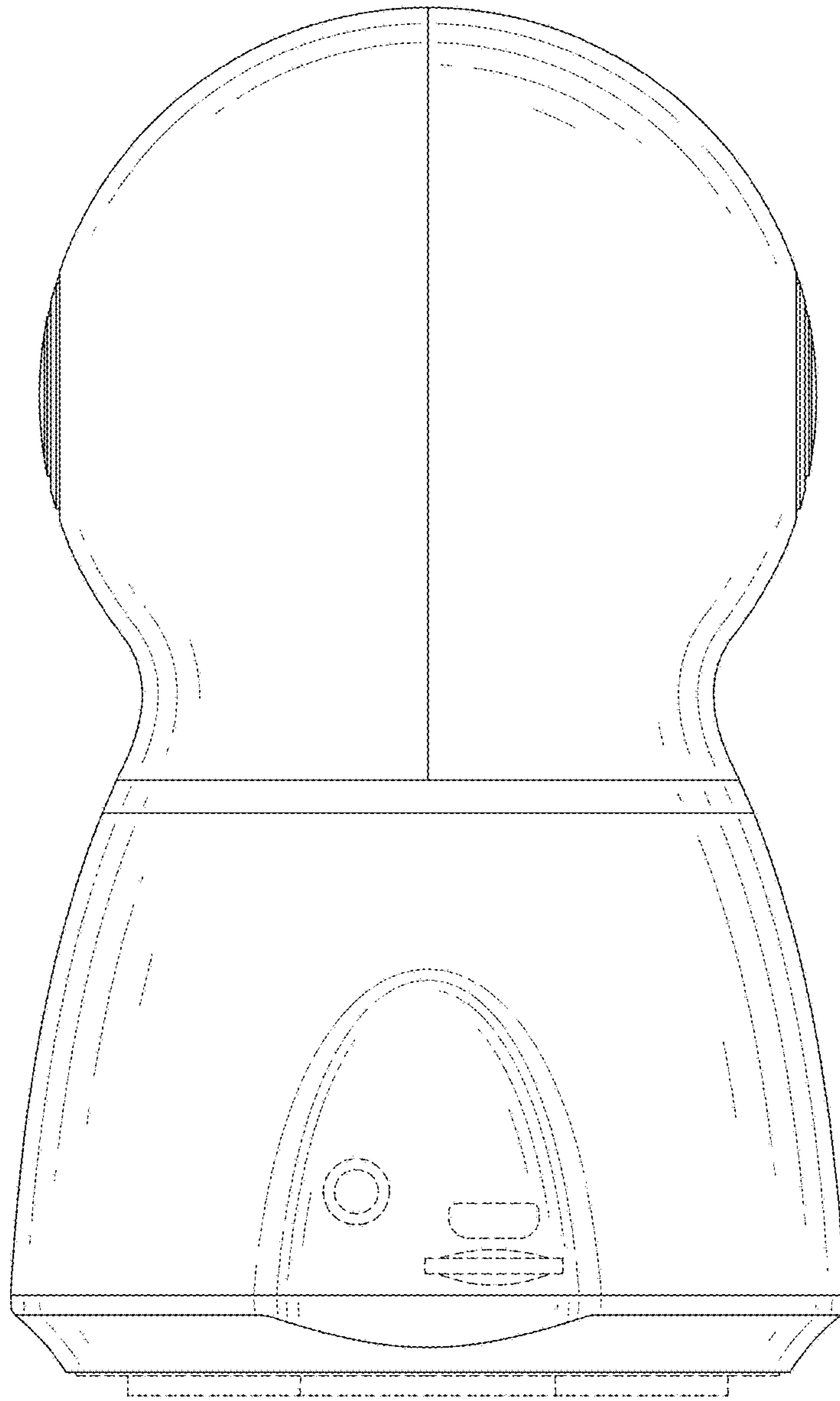


FIG. 4

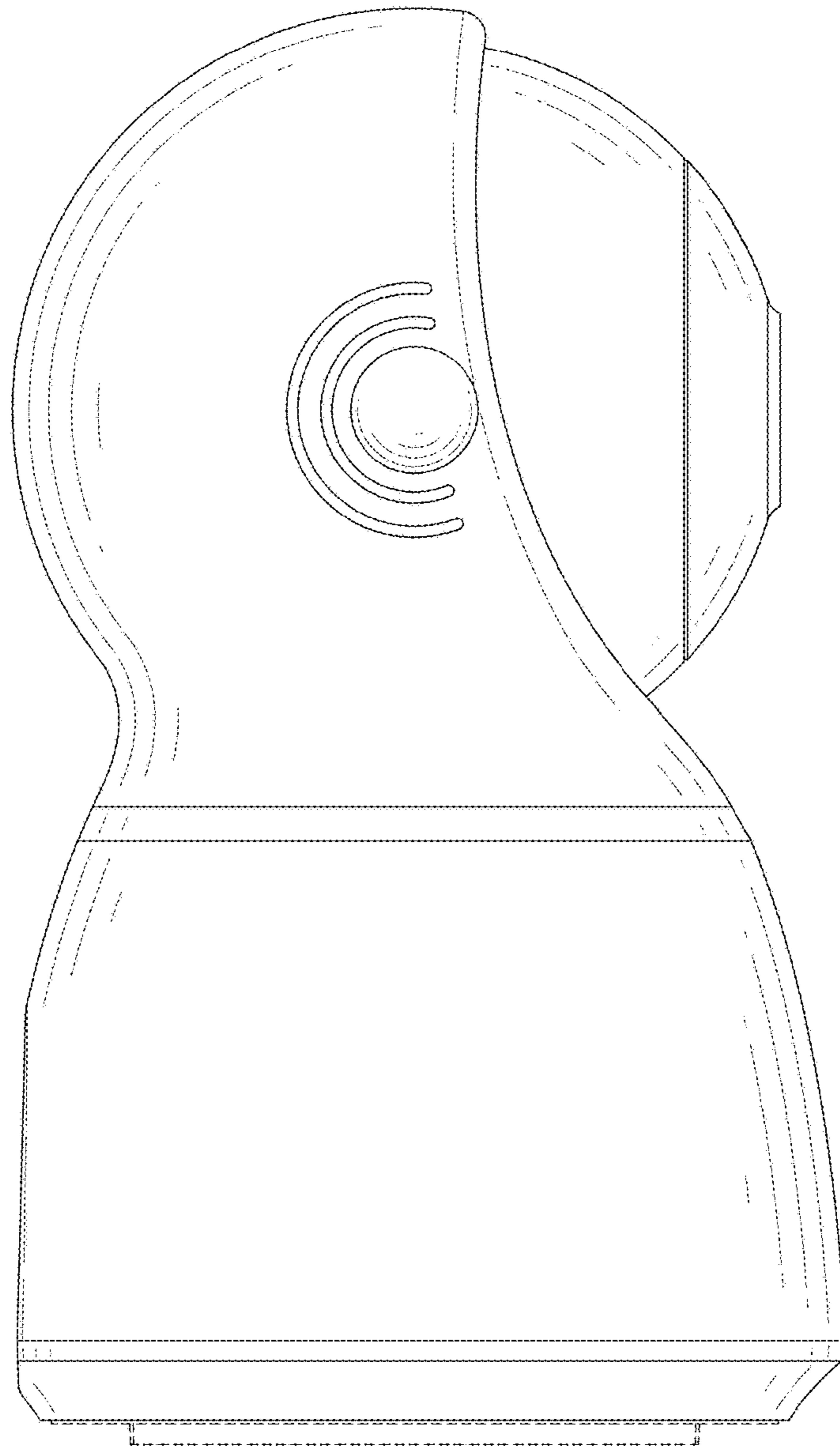


FIG. 5

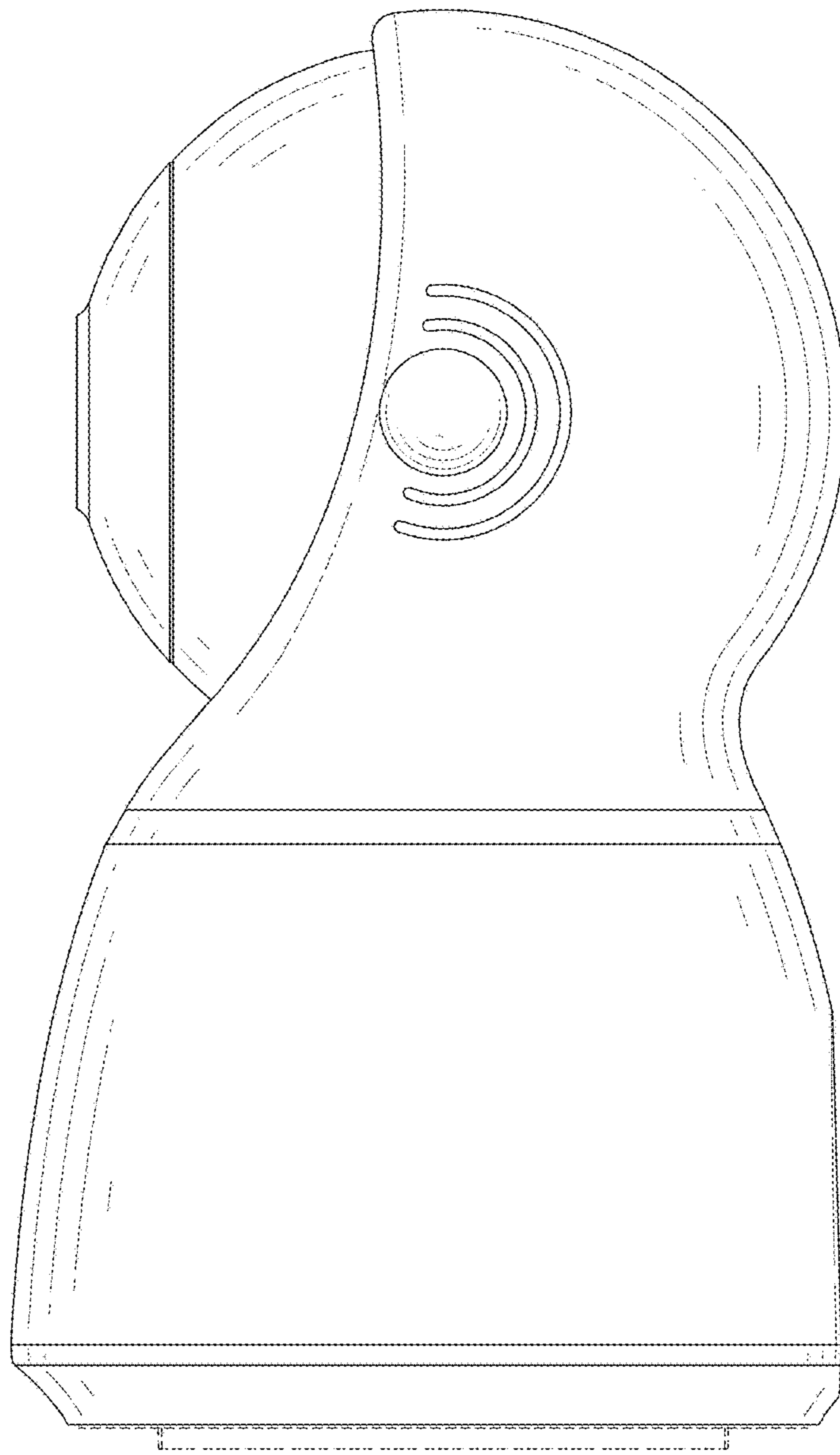


FIG. 6

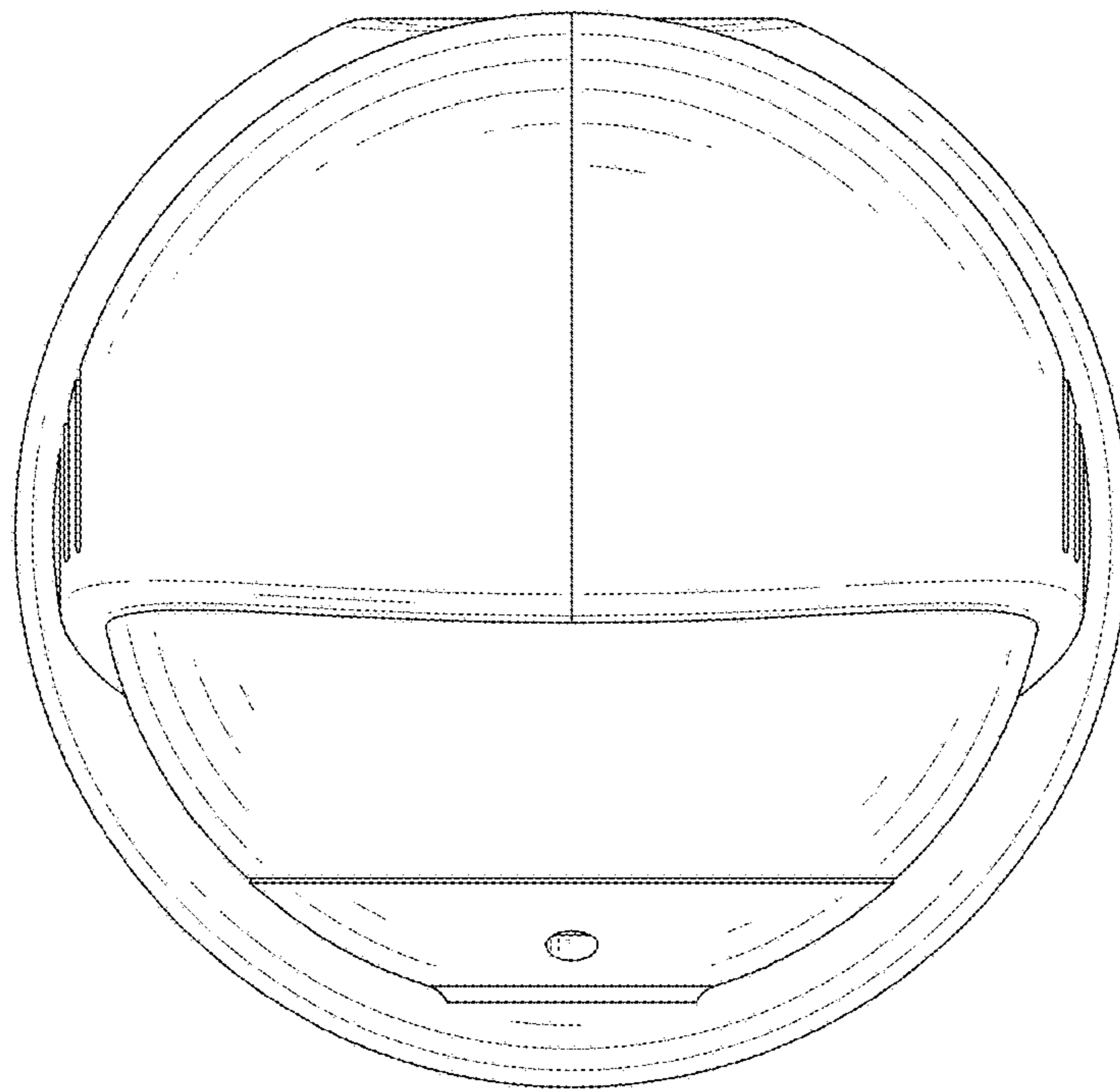


FIG. 7

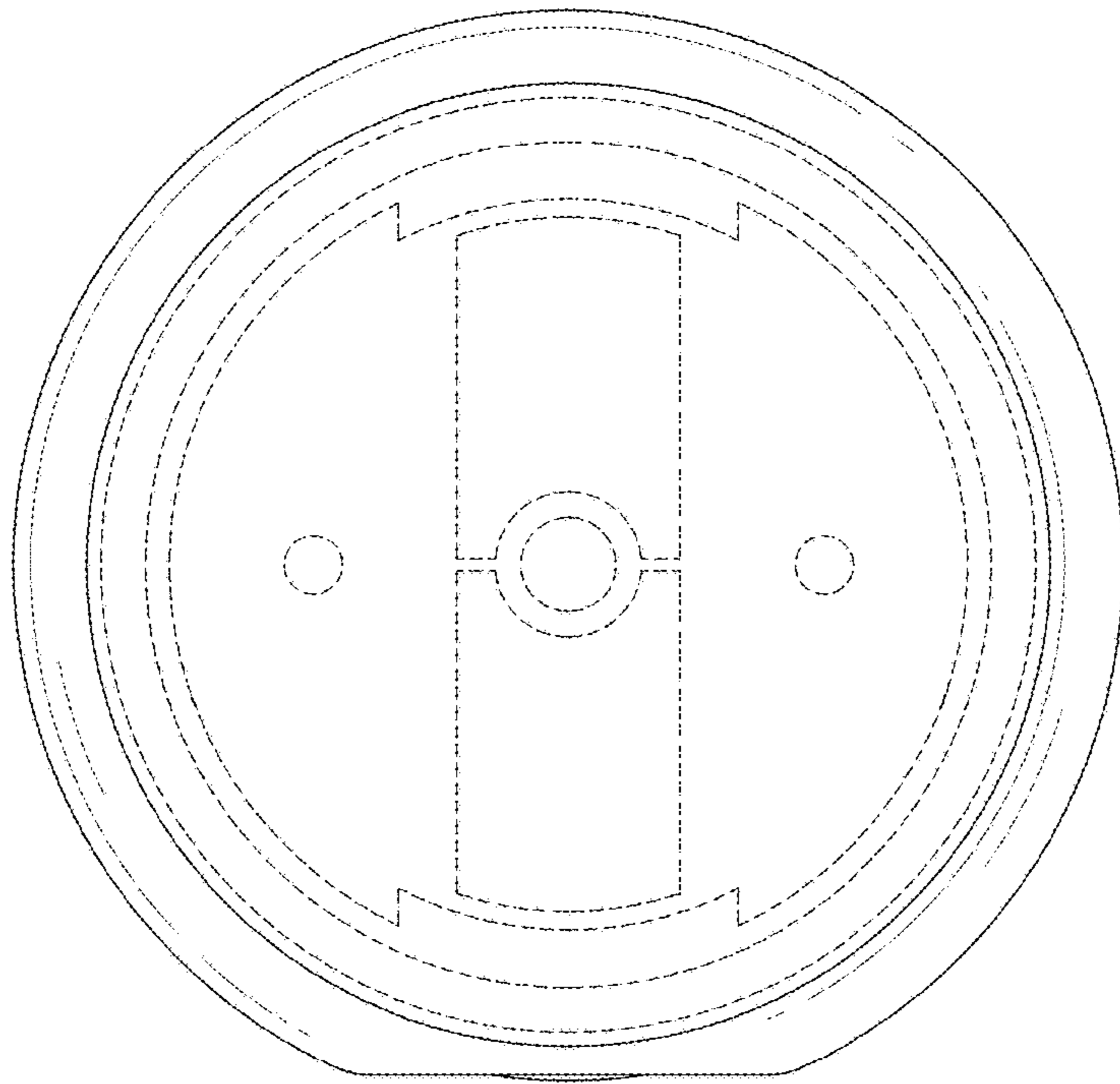


FIG. 8