

US00D863401S

(12) **United States Design Patent**
Hasani

(10) **Patent No.:** **US D863,401 S**

(45) **Date of Patent:** **** Oct. 15, 2019**

(54) **SURVEILLANCE CAMERA ENCLOSURE**

(71) Applicant: **Parabit Systems, Inc.**, Roosevelt, NY
(US)

(72) Inventor: **Mohammad Hasani**, Brooklyn, NY
(US)

(73) Assignee: **Parabit Systems, Inc.**, Roosevelt, NY
(US)

(**) Term: **15 Years**

(21) Appl. No.: **29/647,889**

(22) Filed: **May 16, 2018**

(51) **LOC (12) Cl.** **16-01**

(52) **U.S. Cl.**
USPC **D16/203**

(58) **Field of Classification Search**
USPC D16/200, 202–206, 218, 219, 242;
348/143, 148, 151, 373–376; 396/419,
396/427, 535, 539–541
CPC G03B 17/02; G03B 19/04; G03B 17/56;
G03B 17/04; G03B 15/03; H04N 5/2251;
H04N 5/2252; H04N 5/2253; H04N
5/2254; H04N 7/181; H04N 7/183; H04N
7/18; G08B 13/1963; G08B 13/19619;
G08B 13/19632; F16M 11/04; F16M
13/00

See application file for complete search history.

(56) **References Cited**

U.S. PATENT DOCUMENTS

D339,517 S	9/1993	Jobit	
D425,534 S	5/2000	Mutoh et al.	
D446,531 S *	8/2001	Beck	D16/202
D455,164 S	4/2002	Tsang	
D456,432 S	4/2002	Kim	
6,375,370 B1	4/2002	Wesselink	
D459,378 S	6/2002	Masamitsu	
6,411,332 B1	6/2002	Whitby	

D468,333 S	1/2003	Fenton
D477,345 S	7/2003	Hildreth
D486,847 S	2/2004	Uehara
D487,764 S	3/2004	Adachi et al.
D501,494 S	2/2005	Ogura
D517,585 S	3/2006	Iino et al.
D520,548 S	5/2006	Tsai
D532,809 S	11/2006	Shih
D535,204 S	1/2007	Bender et al.
D542,319 S	5/2007	Ishida et al.
D543,567 S	5/2007	Kato et al.

(Continued)

OTHER PUBLICATIONS

Covert Color Camera, Tower Camera CTV36PB; Specification Sheet; Advanced Technology Video; pp. 1-2; Copyright 2011.

(Continued)

Primary Examiner — Ramzi S Almatrahi

(74) *Attorney, Agent, or Firm* — Gerald Hespos; Michael Porco; Matthew Hespos

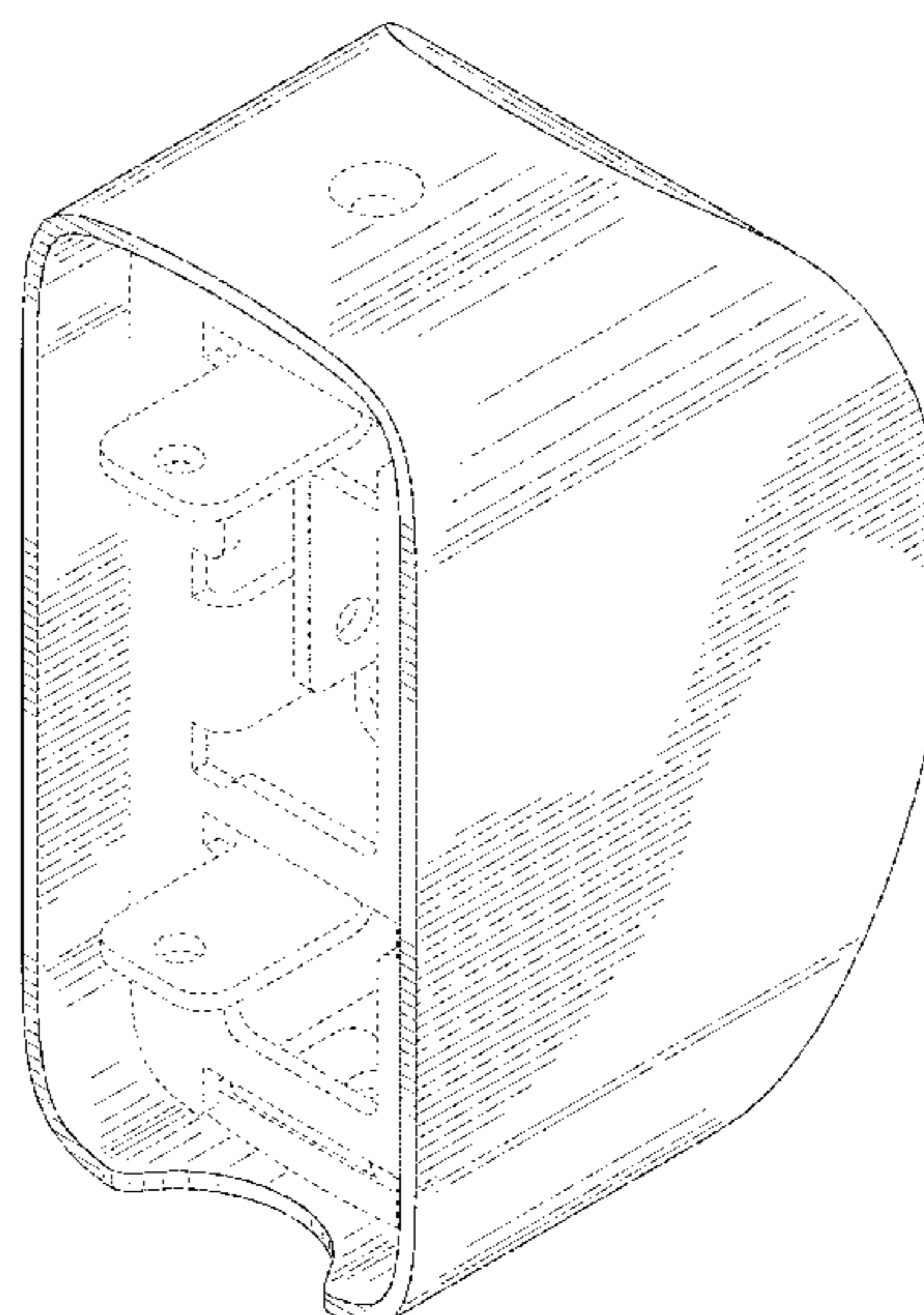
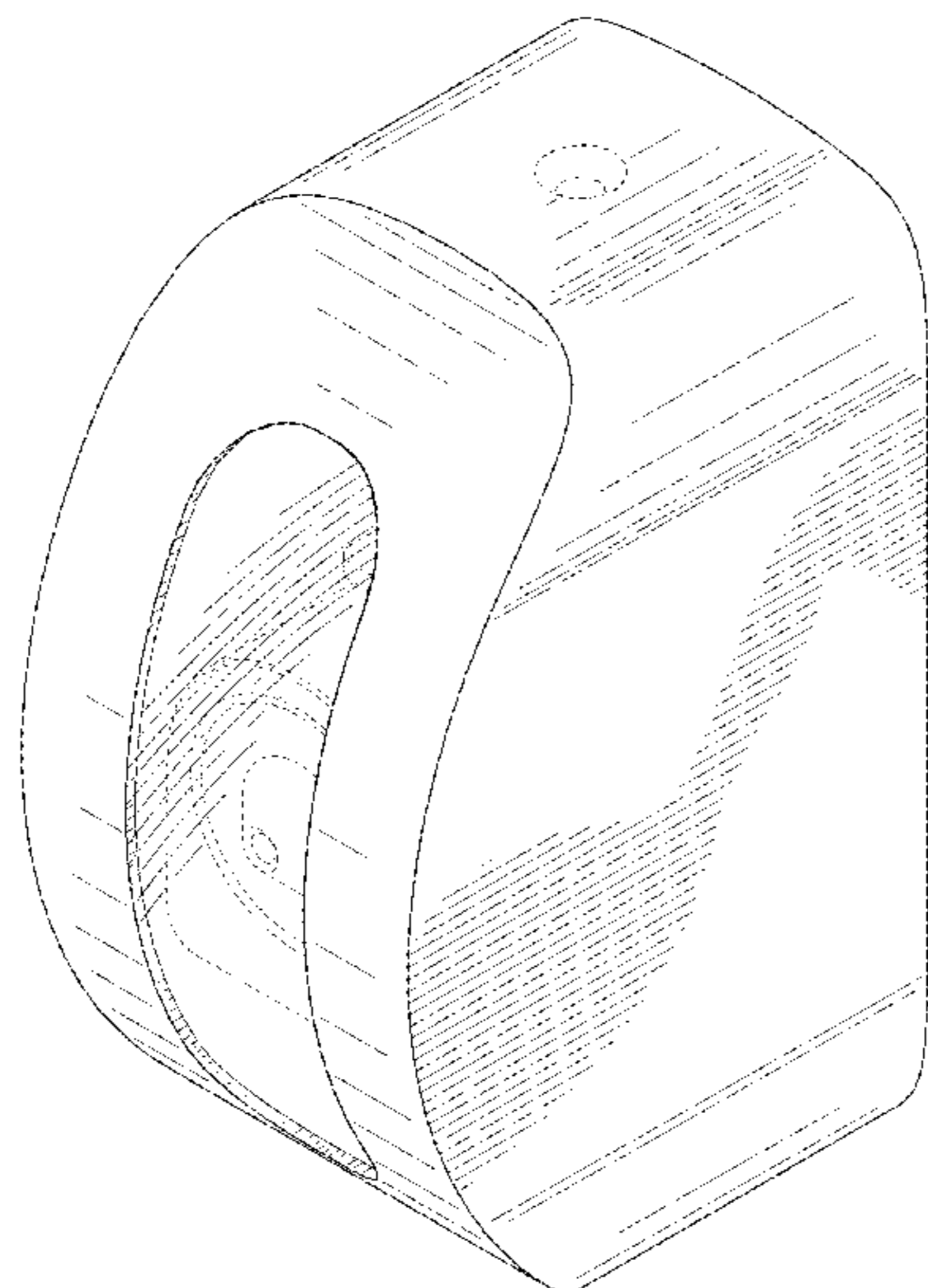
(57) **CLAIM**

The ornamental design for a surveillance camera enclosure, as shown and described.

DESCRIPTION

FIG. 1 is a top, front and right side perspective view of a surveillance camera enclosure showing my new design; FIG. 2 is a front elevational view thereof; FIG. 3 is a rear elevational view thereof; FIG. 4 is a right side elevational view thereof; FIG. 5 is a left side elevational view thereof; FIG. 6 is a top plan view thereof; FIG. 7 is a bottom plan view thereof; and, FIG. 8 is a top, rear and left side perspective view thereof. The broken lines shown in the Figures depict portions of the surveillance camera enclosure in which the design is embodied that form no part of the claimed design.

1 Claim, 8 Drawing Sheets



(56)

References Cited

U.S. PATENT DOCUMENTS

7,217,044 B1 5/2007 Marks, Jr.
 D548,763 S 8/2007 Boris
 D550,266 S 9/2007 Lau
 D550,267 S 9/2007 Oh
 D552,650 S 10/2007 Yamakawa et al.
 D554,168 S 10/2007 Shi
 D556,233 S * 11/2007 Webb D16/202
 7,346,196 B2 3/2008 Gin
 D579,474 S 10/2008 Yoo et al.
 D597,117 S 7/2009 Yamane et al.
 D602,970 S 10/2009 Lee
 7,710,452 B1 5/2010 Linberg
 D624,106 S 9/2010 Cho et al.
 D633,930 S 3/2011 Dinger
 D641,771 S 7/2011 Sasaki
 D651,229 S 12/2011 Tan
 8,593,567 B2 11/2013 Xiao
 D698,841 S 2/2014 Lee
 D708,654 S 7/2014 Tani
 D718,360 S 11/2014 Matoba et al.
 D723,395 S 3/2015 Dispenza et al.
 D736,845 S 8/2015 Yilin
 D743,467 S 11/2015 Bhattacharya
 D750,681 S 3/2016 Takami
 D751,129 S 3/2016 Lellky

D751,622 S * 3/2016 Mao D16/218
 D755,876 S 5/2016 Moss
 D757,146 S 5/2016 Walter
 D759,621 S * 6/2016 Maxwell D14/130
 D769,956 S * 10/2016 Hinkel D16/203
 D771,174 S 11/2016 Hinkel
 D783,075 S * 4/2017 Maxwell D16/202
 D788,834 S 6/2017 Bhattacharya
 D800,201 S * 10/2017 Song D16/202
 9,826,128 B1 11/2017 Ballard
 D809,045 S * 1/2018 Jou D16/202
 D820,894 S * 6/2018 Tang D16/202
 D822,745 S * 7/2018 Shang D16/208
 D833,504 S 11/2018 Leiponis
 D840,851 S * 2/2019 Ammar D10/104.1
 D841,073 S * 2/2019 Leiponis D16/203
 2004/0139812 A1 7/2004 Erel
 2006/0250260 A1 11/2006 Albert
 2013/0107110 A1 5/2013 Park
 2013/0215322 A1 8/2013 Haler
 2017/0192343 A1 7/2017 Leiponis et al.

OTHER PUBLICATIONS

Tower Camera Quick Installation Guide; Advanced Technology Video; pp. 1-12.

* cited by examiner

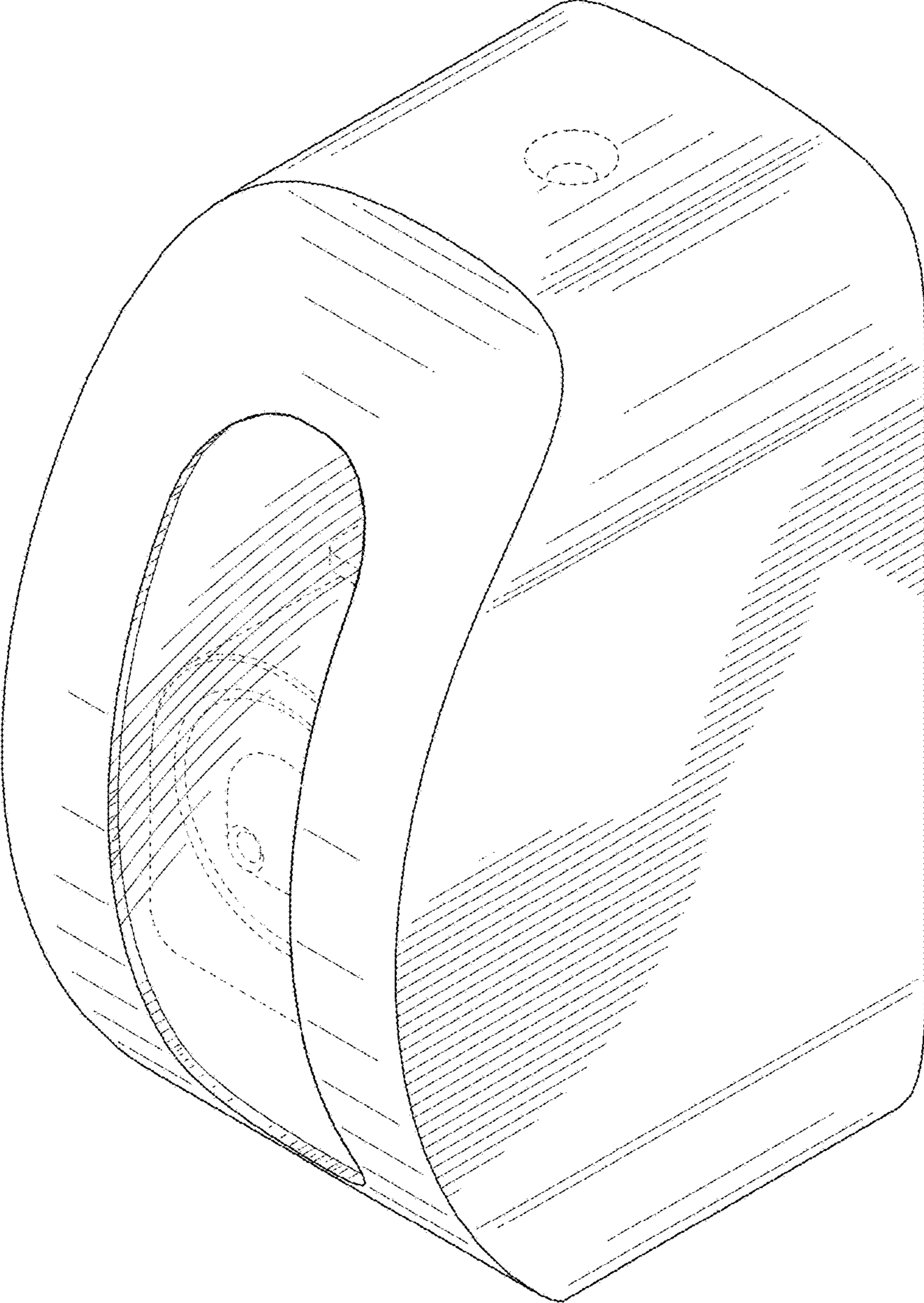


FIG. 1

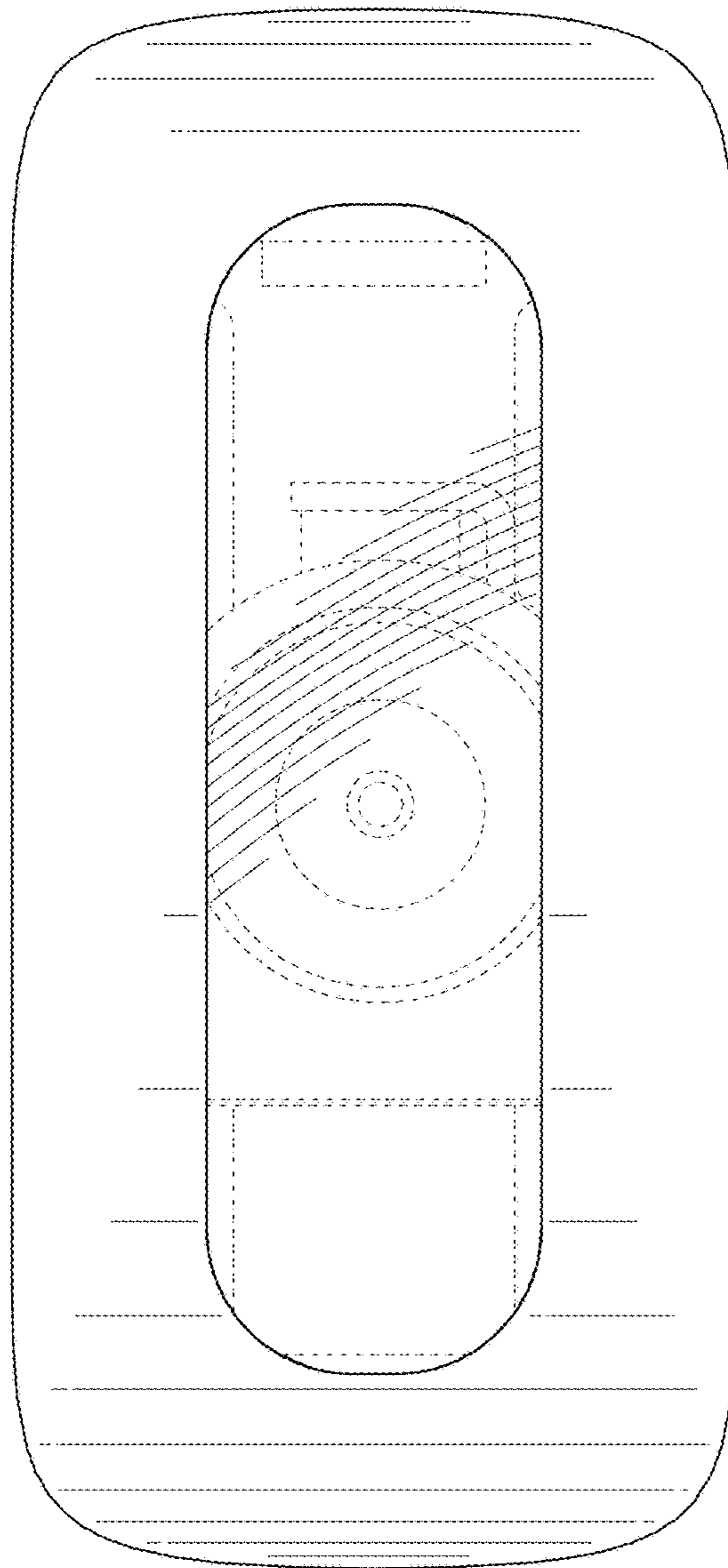


FIG. 2

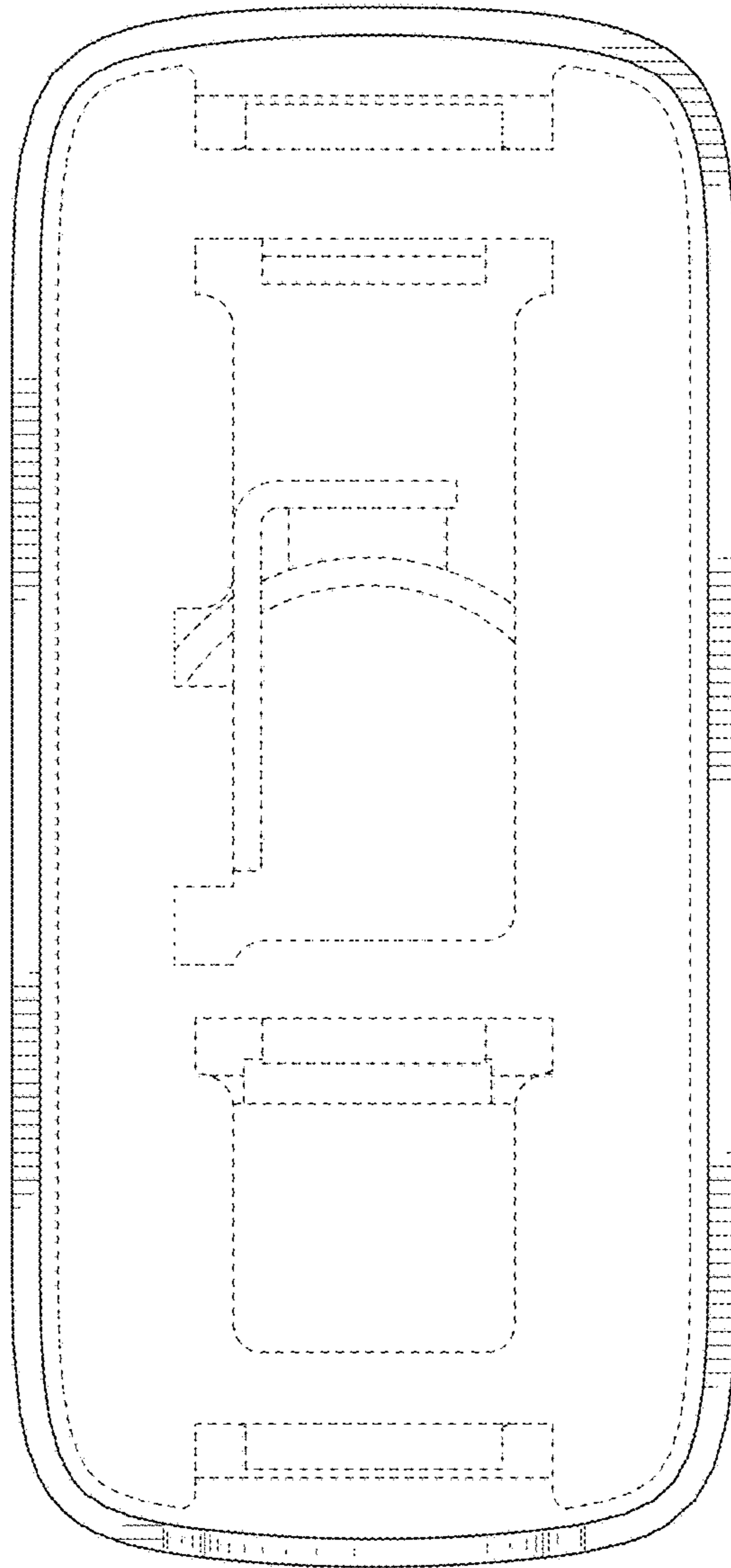


FIG. 3

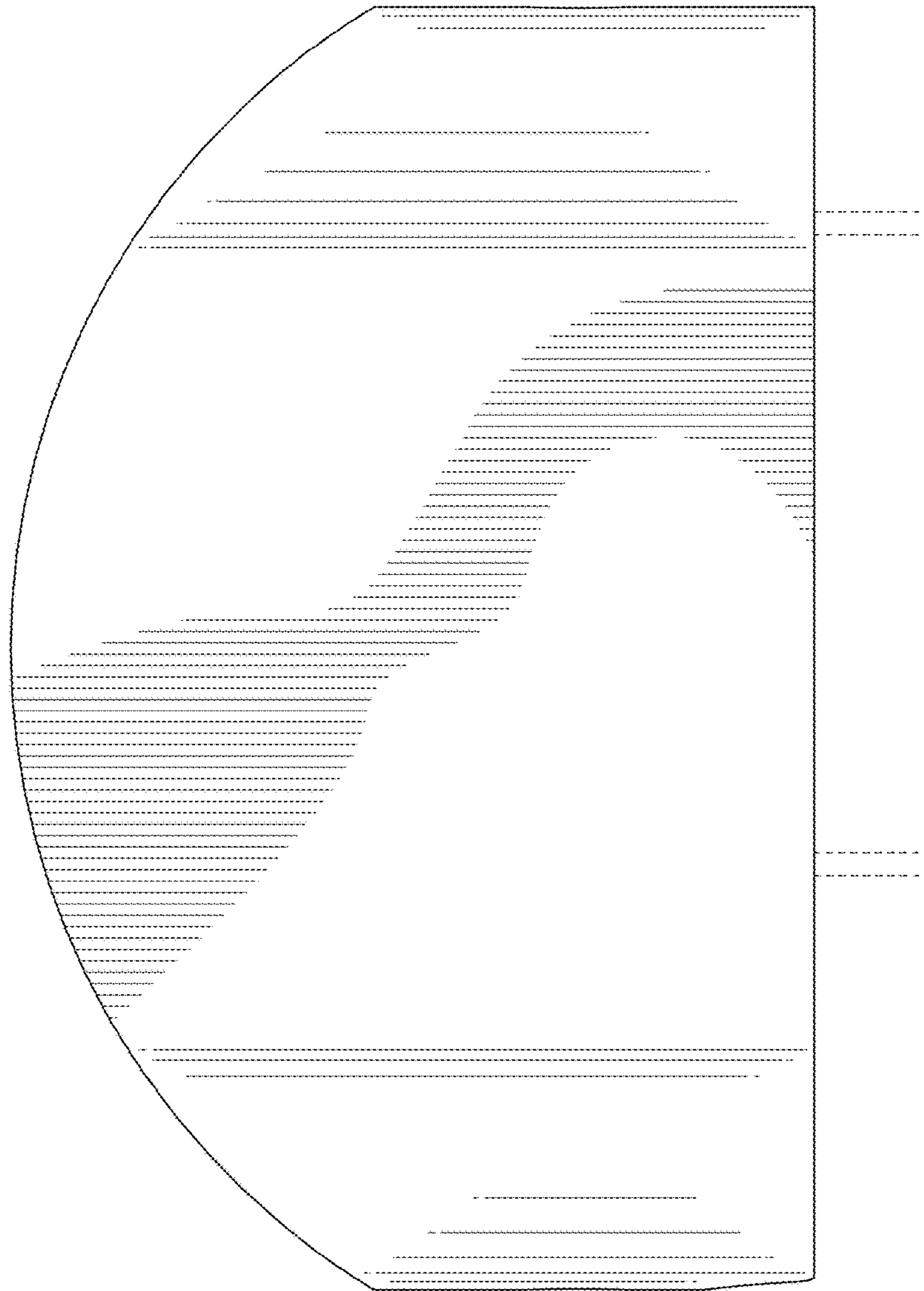


FIG. 4

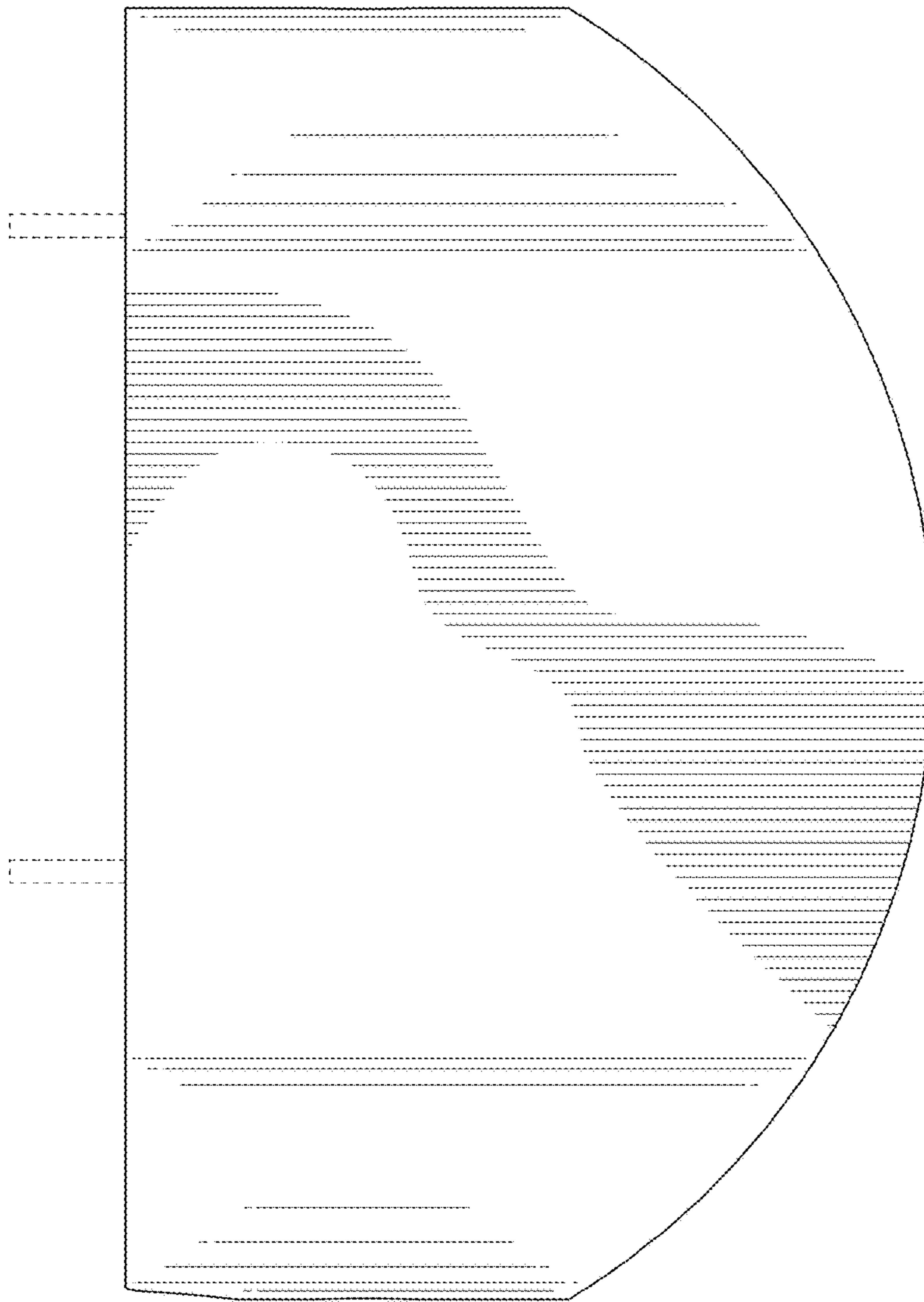


FIG. 5

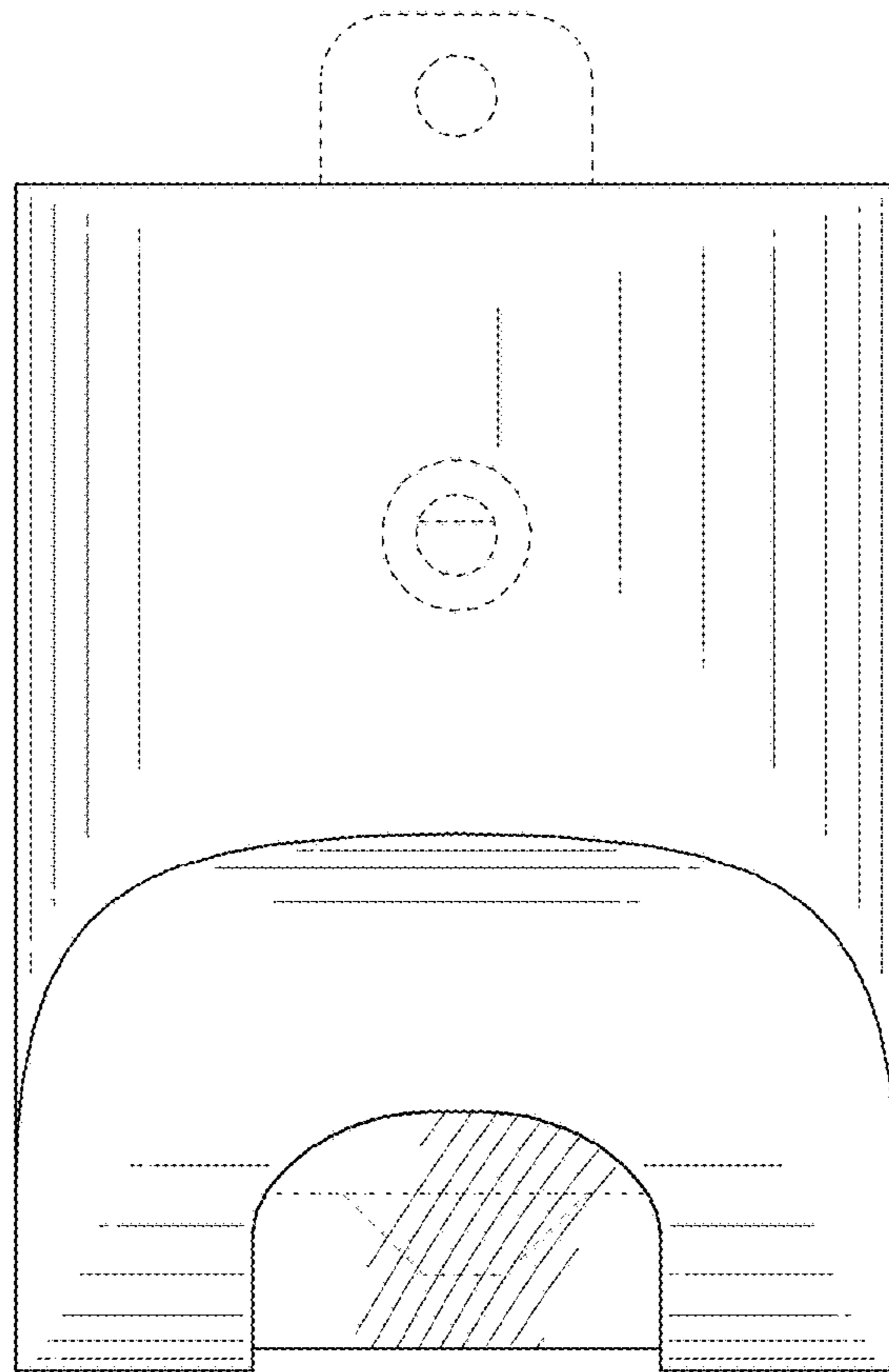


FIG. 6

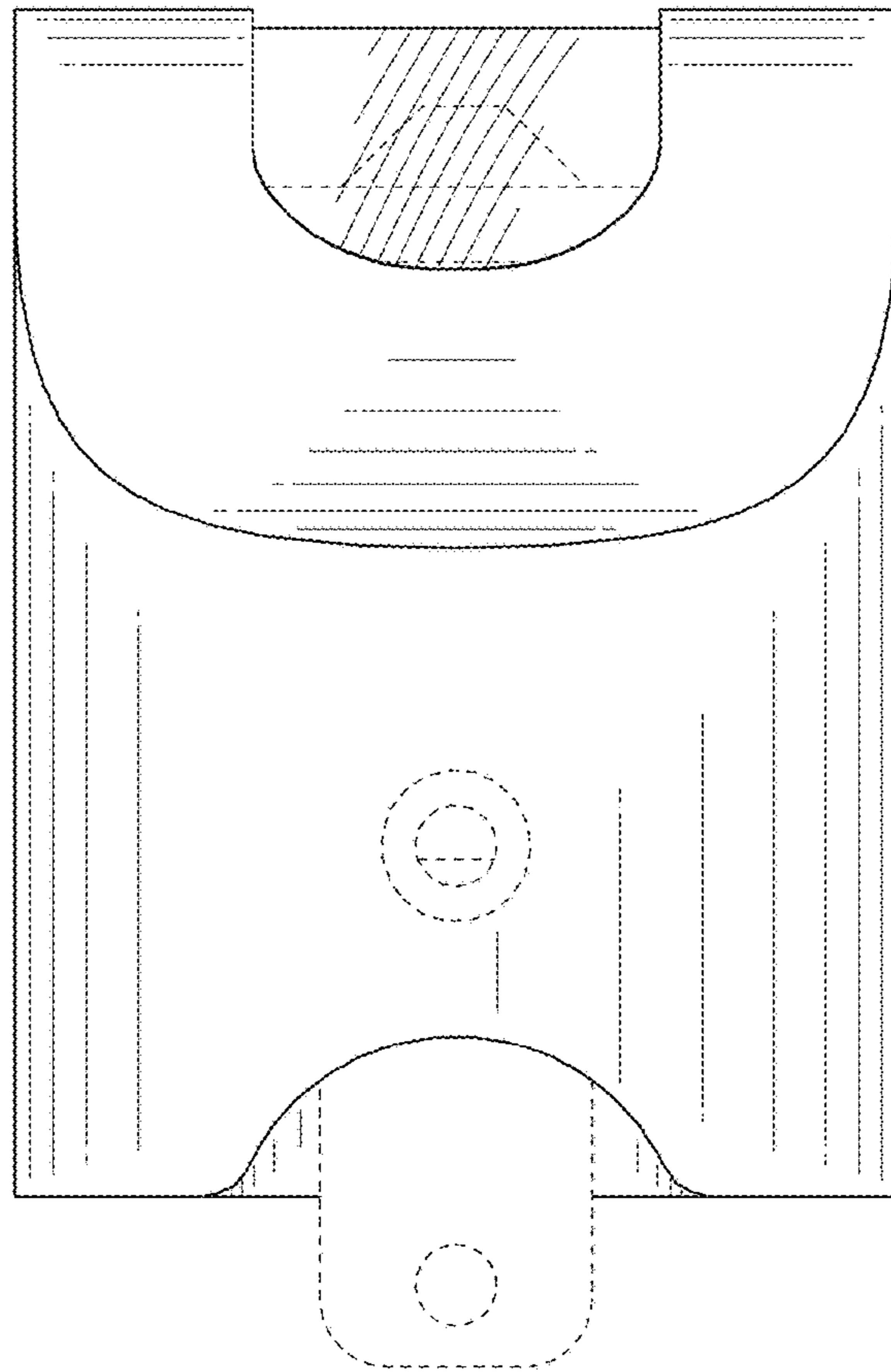


FIG. 7

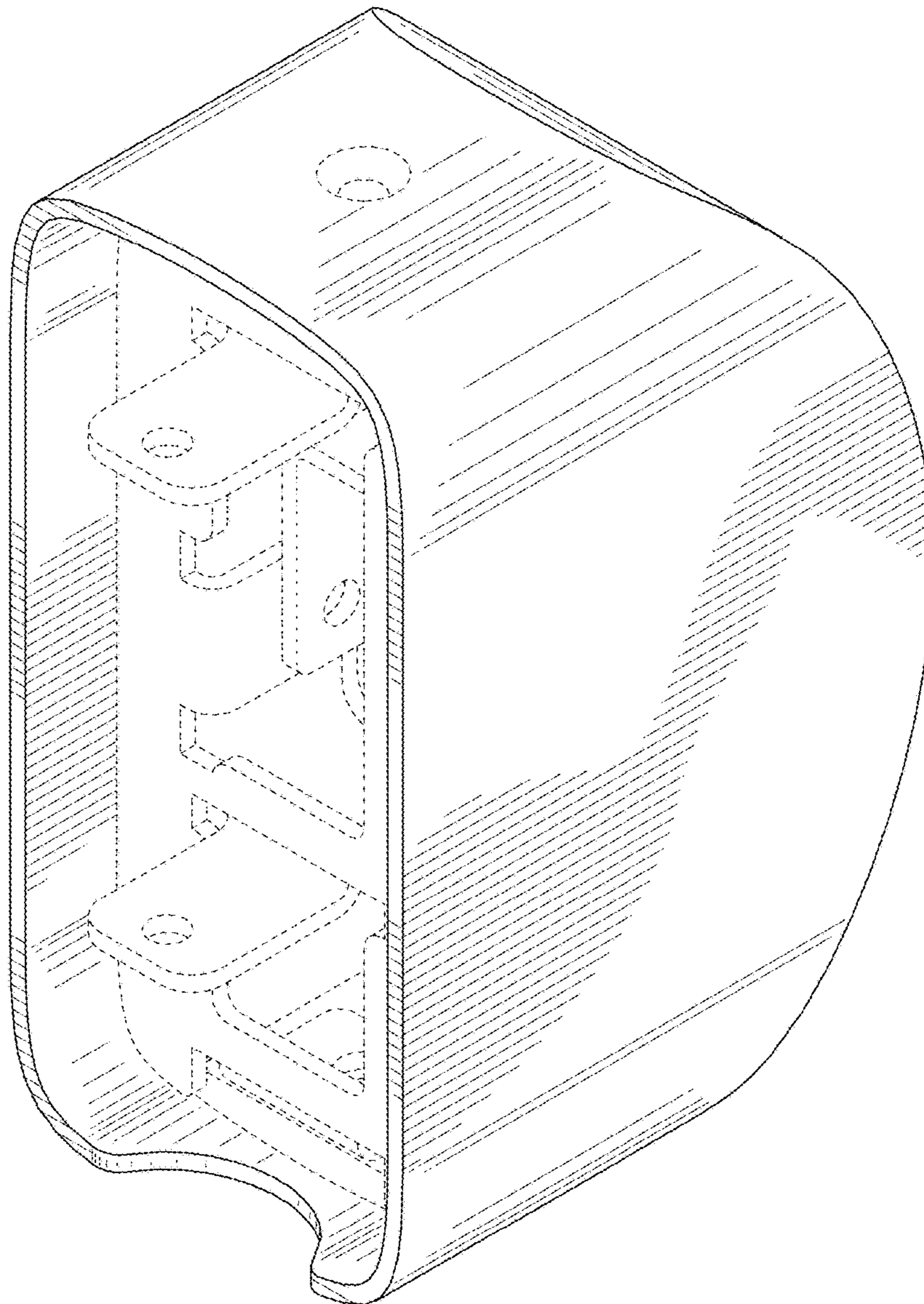


FIG. 8