



US00D863400S

(12) **United States Design Patent**  
**Li et al.**

(10) **Patent No.:** **US D863,400 S**

(45) **Date of Patent:** **\*\* Oct. 15, 2019**

(54) **SURVEILLANCE CAMERA**

(71) Applicant: **Honeywell International Inc.**,  
Morristown, NJ (US)

(72) Inventors: **Yun Li**, Shanghai (CN); **Junwei Geng**,  
Shanghai (CN); **Michael Xu**, Shanghai  
(CN)

(73) Assignee: **Honeywell International Inc.**, Morris  
Plains, NJ (US)

(\*\*) Term: **15 Years**

(21) Appl. No.: **29/643,459**

(22) Filed: **Apr. 9, 2018**

(51) **LOC (12) Cl.** ..... **16-01**

(52) **U.S. Cl.**  
USPC ..... **D16/203**

(58) **Field of Classification Search**  
USPC ..... D16/200, 202–208, 218, 219, 242;  
348/143, 148, 151, 373–376; 396/419,  
396/427, 535, 539–541  
CPC ..... G03B 17/02; G03B 19/04; G03B 17/56;  
G03B 17/04; G03B 15/03; H04N 5/2251;  
H04N 5/2252; H04N 5/2253; H04N  
5/2254; H04N 7/181; H04N 7/183; H04N  
7/18; G08B 13/1963; G08B 13/19619;  
G08B 13/19632; F16M 11/04; F16M  
13/00

See application file for complete search history.

(56) **References Cited**

U.S. PATENT DOCUMENTS

D452,696 S \* 1/2002 Fenton ..... D16/203  
D552,501 S \* 10/2007 Lin ..... D10/104.1

D639,842 S \* 6/2011 Zeinoun ..... D16/203  
D688,720 S \* 8/2013 Yilin ..... D16/203  
D752,674 S \* 3/2016 Katori ..... D16/203  
D781,169 S \* 3/2017 Wang ..... D10/106.5  
D796,567 S \* 9/2017 Bingleman ..... D16/203  
D796,568 S \* 9/2017 Bingleman ..... D16/203  
D816,755 S \* 5/2018 Barnekow ..... D16/203  
D822,088 S \* 7/2018 Park ..... D16/203  
D827,011 S \* 8/2018 Kip ..... D16/202

\* cited by examiner

*Primary Examiner* — Ramzi S Almatrahi

(74) *Attorney, Agent, or Firm* — Seager, Tufte &  
Wickhem LLP

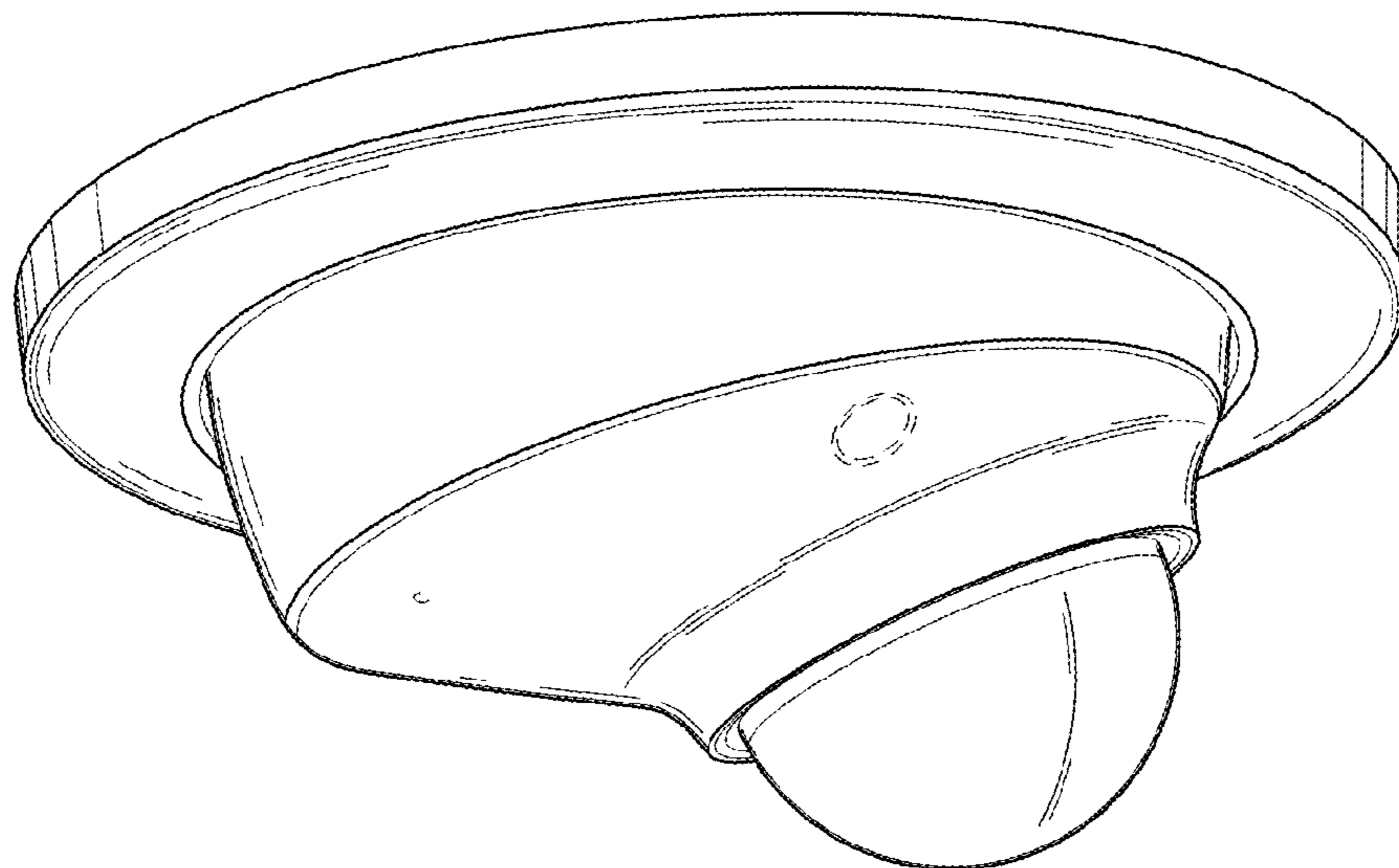
(57) **CLAIM**

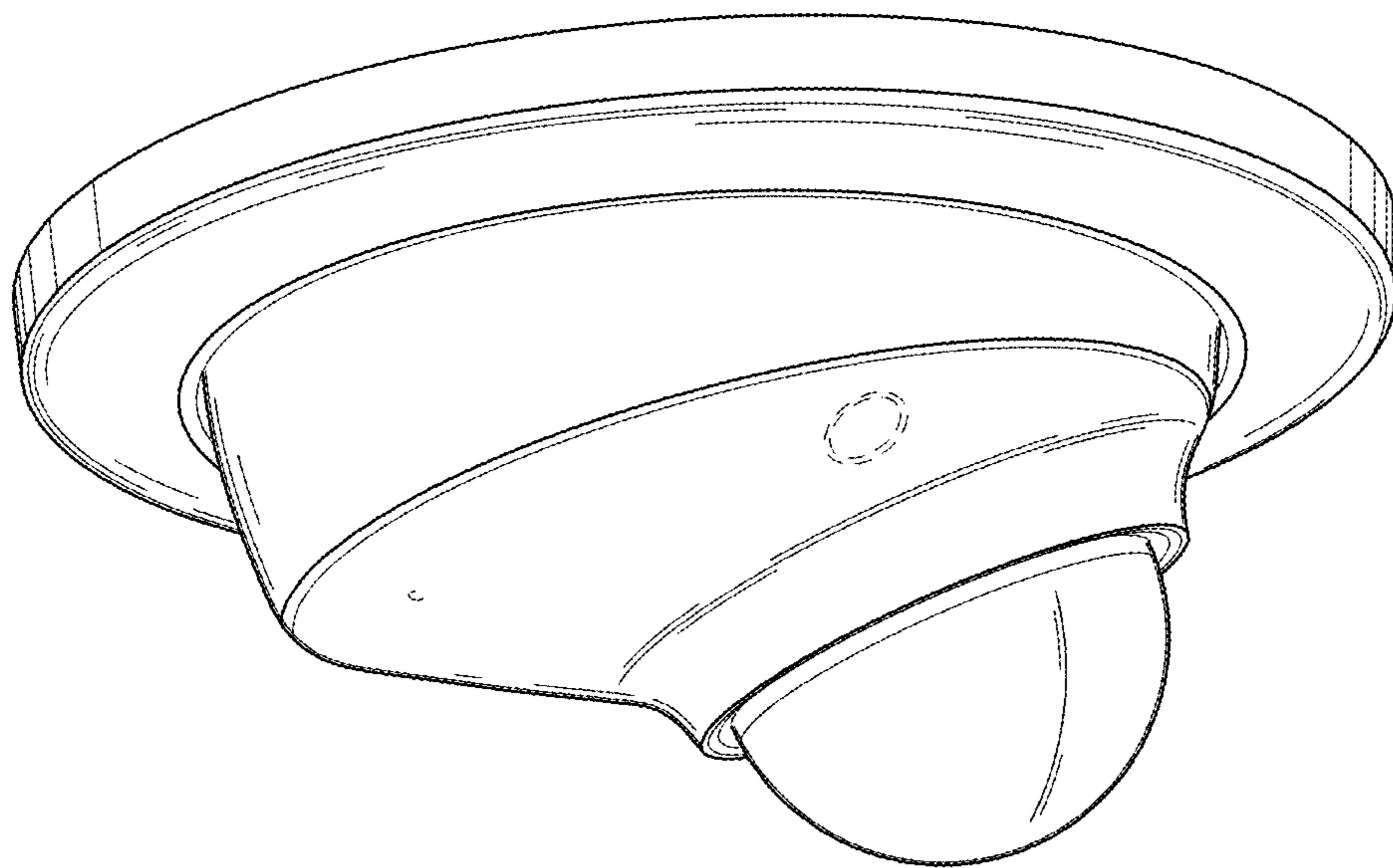
The ornamental design for a surveillance camera, as shown  
and described.

**DESCRIPTION**

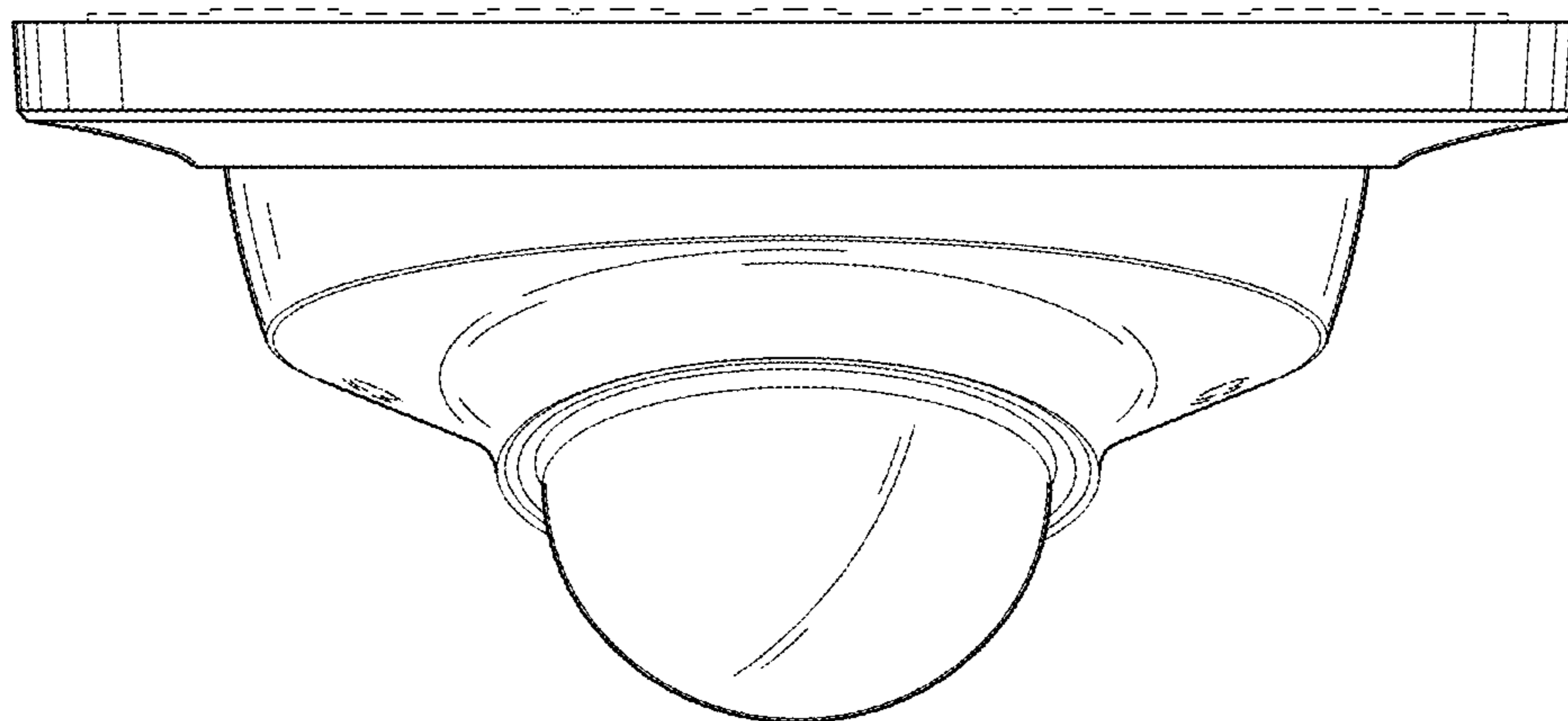
FIG. 1 is a perspective view of a surveillance camera.  
FIG. 2 is a front elevation view thereof.  
FIG. 3 is a rear elevation view thereof.  
FIG. 4 is a right side elevation view thereof, the left side  
elevation view being a mirror image thereof; and,  
FIG. 5 is a bottom plan view thereof.  
The broken lines in the drawings depict subject matter of the  
surveillance camera that forms no part of the claimed design.  
The top view of the surveillance camera forms no part of the  
claimed design.

**1 Claim, 3 Drawing Sheets**

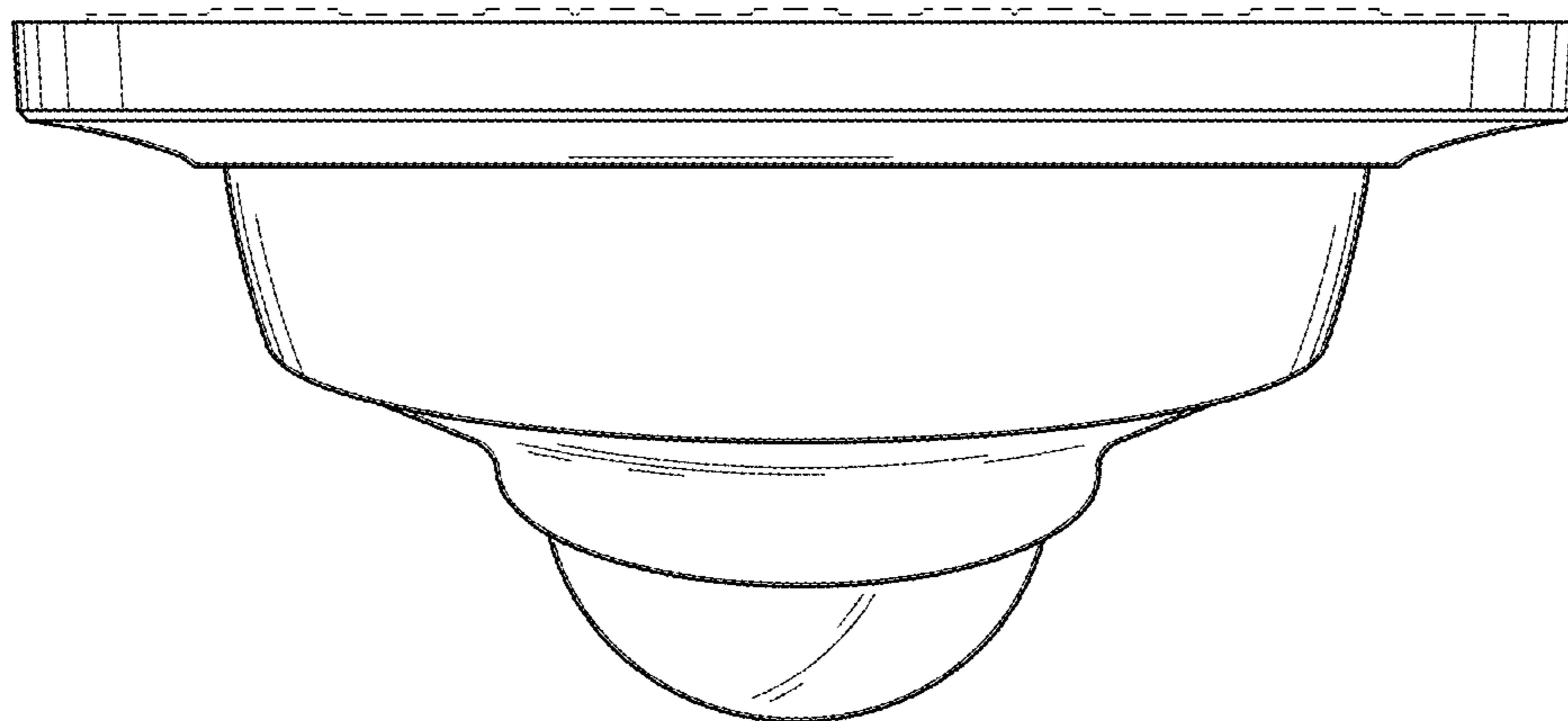




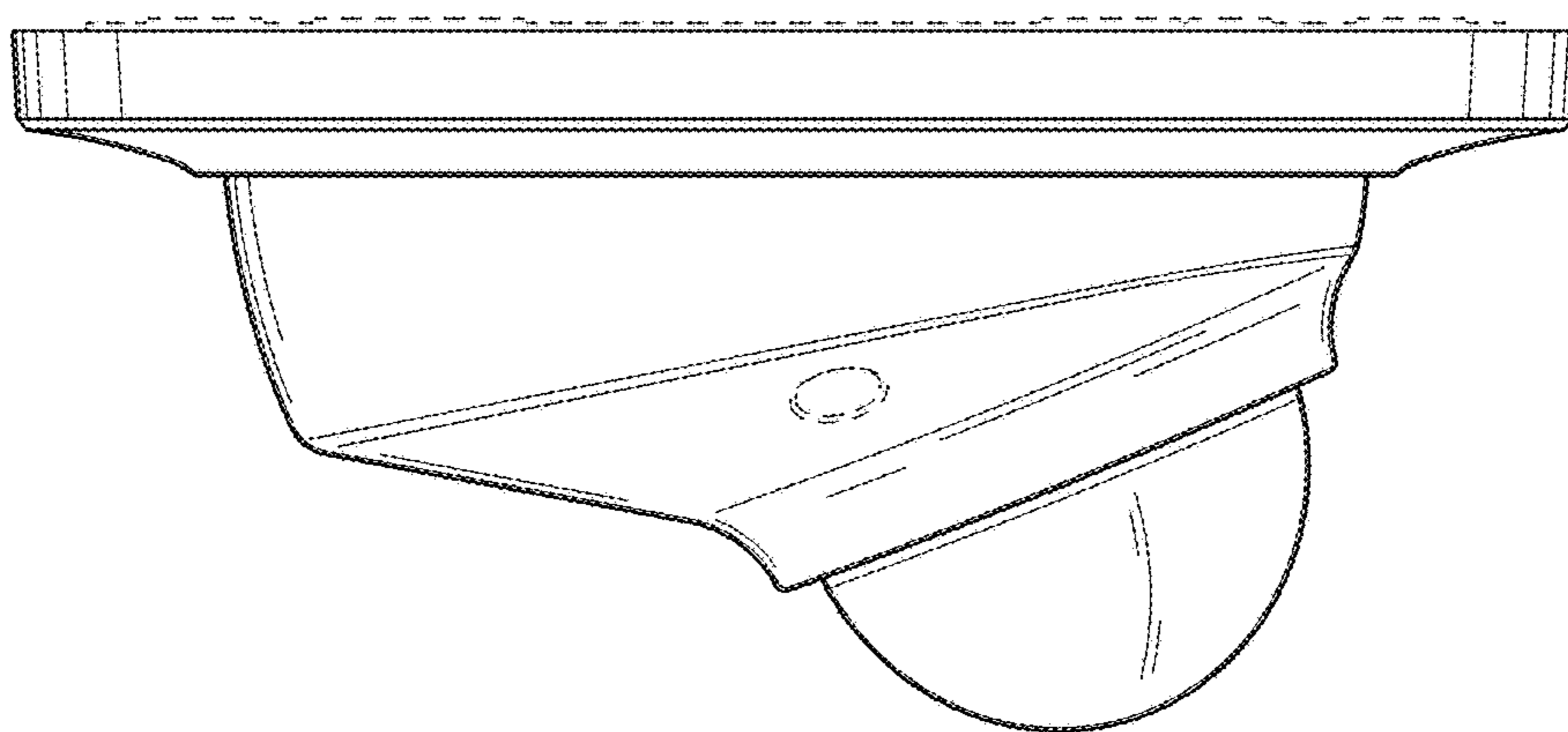
*FIG. 1*



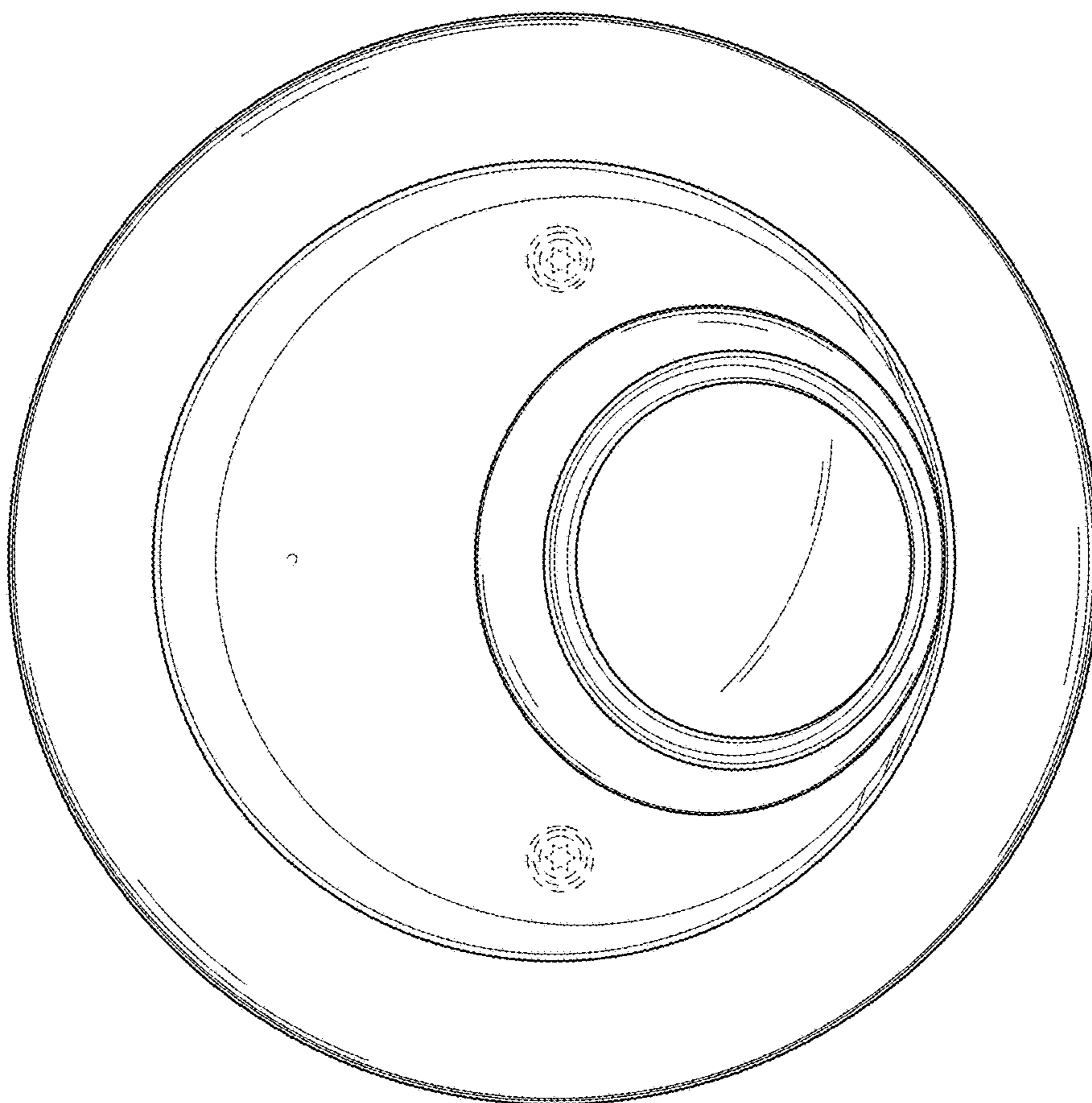
*FIG. 2*



*FIG. 3*



*FIG. 4*



*FIG. 5*