



US00D863399S

(12) **United States Design Patent**
Li

(10) **Patent No.:** **US D863,399 S**

(45) **Date of Patent:** **** Oct. 15, 2019**

(54) **SOLAR CELL CAMERA**

(71) Applicant: **Zheng Li**, Shenzhen (CN)

(72) Inventor: **Zheng Li**, Shenzhen (CN)

(**) Term: **15 Years**

(21) Appl. No.: **29/641,260**

(22) Filed: **Mar. 20, 2018**

(51) **LOC (12) Cl.** **16-01**

(52) **U.S. Cl.**
USPC **D16/203**

(58) **Field of Classification Search**
USPC D16/200, 202–206, 218, 219, 242;
348/143, 148, 151, 373–376; 396/419,
396/427, 535, 539–541
CPC G03B 17/02; G03B 19/04; G03B 17/56;
G03B 17/04; G03B 15/03; H04N 5/2251;
H04N 5/2252; H04N 5/2253; H04N
5/2254; H04N 7/181; H04N 7/183; H04N
7/18; G08B 13/1963; G08B 13/19619;
G08B 13/19632; F16M 11/04; F16M
13/00

See application file for complete search history.

(56) **References Cited**

U.S. PATENT DOCUMENTS

D553,660 S *	10/2007	Yoneji	D16/202
D558,811 S *	1/2008	Higgins	D16/203
D606,105 S *	12/2009	Hinkel	D16/203
D703,370 S *	4/2014	Helms	D26/118
D748,709 S *	2/2016	Jeong	D16/202
D750,684 S *	3/2016	Katori	D16/203

D801,406 S *	10/2017	Jeong	D16/203
D816,142 S *	4/2018	Song	D16/203
D832,906 S *	11/2018	Hasegawa	D16/203
D832,907 S *	11/2018	Jeong	D16/203
D837,274 S *	1/2019	Ainetoft	D16/203
D842,914 S *	3/2019	Ainetoft	D16/203
2016/0144798 A1 *	5/2016	Yoshikuni	B60R 11/04 348/148

* cited by examiner

Primary Examiner — Ramzi S Almatrahi

(74) *Attorney, Agent, or Firm* — Law Offices of Steven W. Weinrieb

(57) **CLAIM**

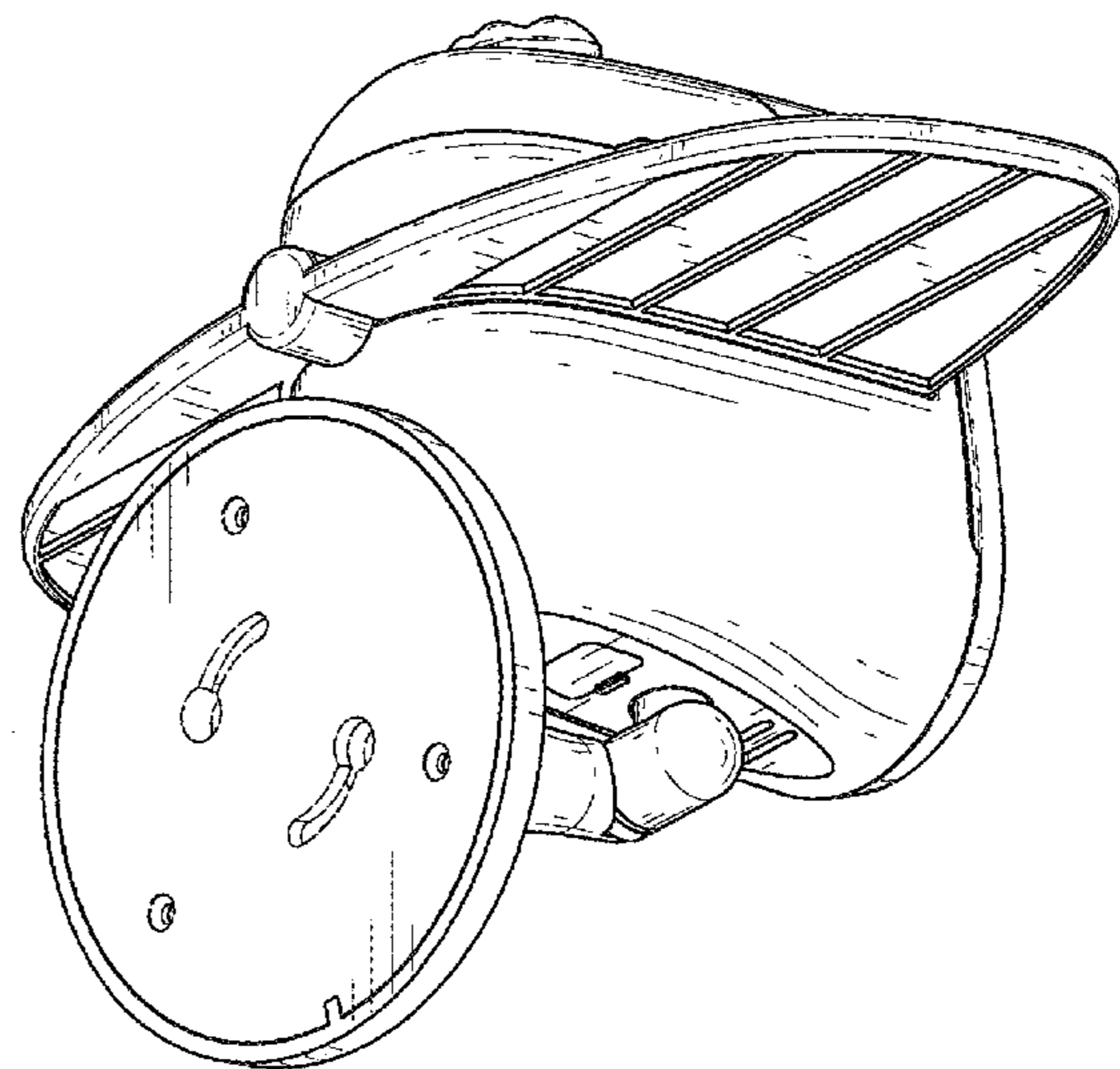
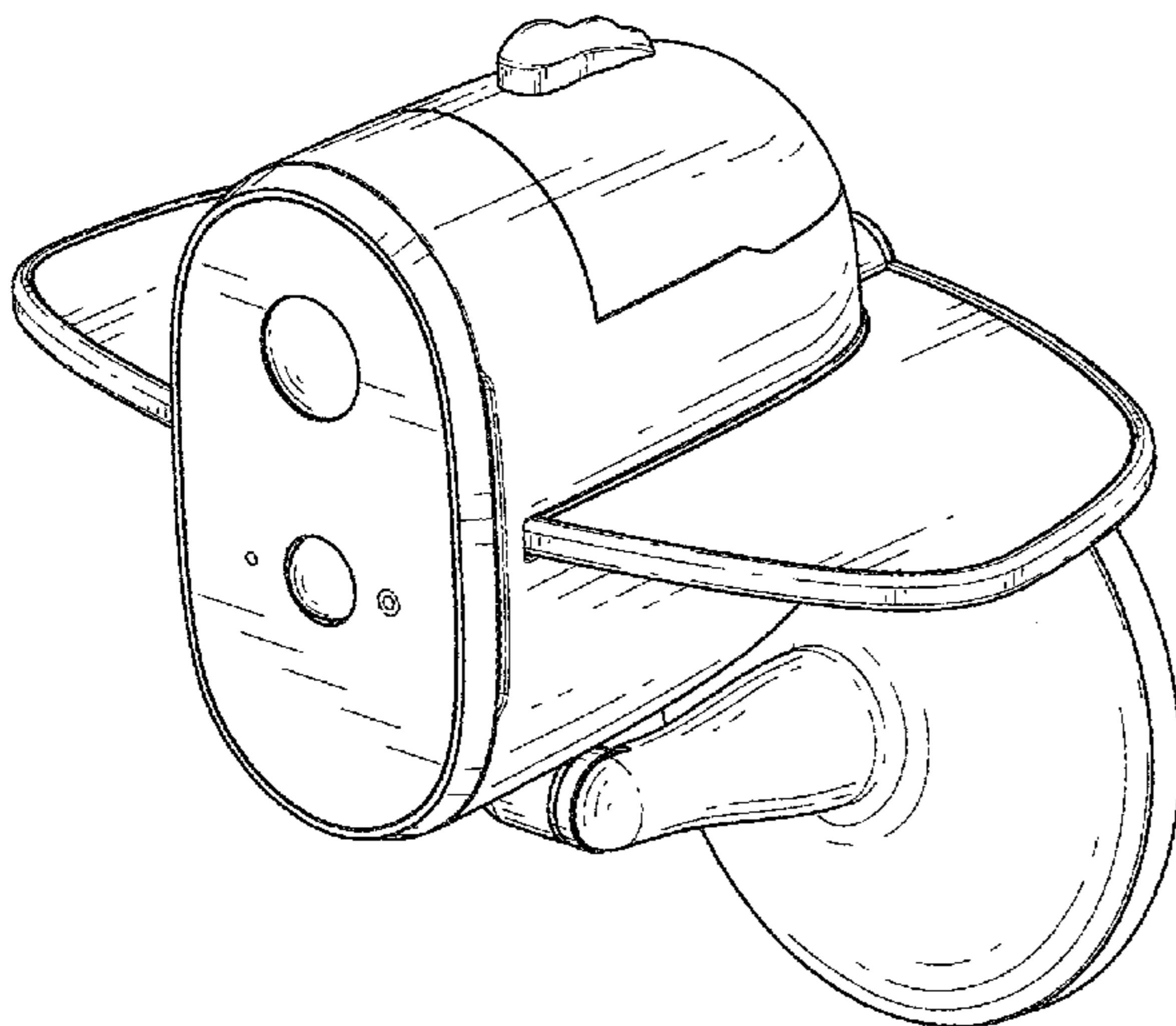
The ornamental design for a solar cell camera, as shown and described.

DESCRIPTION

FIG. 1 is a top, front and right side perspective view of a solar cell camera showing my new design;
FIG. 2 is a bottom, rear and left side perspective view thereof;
FIG. 3 is a front elevational view thereof;
FIG. 4 is a rear elevational view thereof;
FIG. 5 is a left side elevational view thereof;
FIG. 6 is a right side elevational view thereof;
FIG. 7 is a top plan view thereof; and,
FIG. 8 is a bottom plan view thereof.

The broken lines depict portions of the solar cell camera in which the design is embodied that form no part of the claimed design.

1 Claim, 8 Drawing Sheets



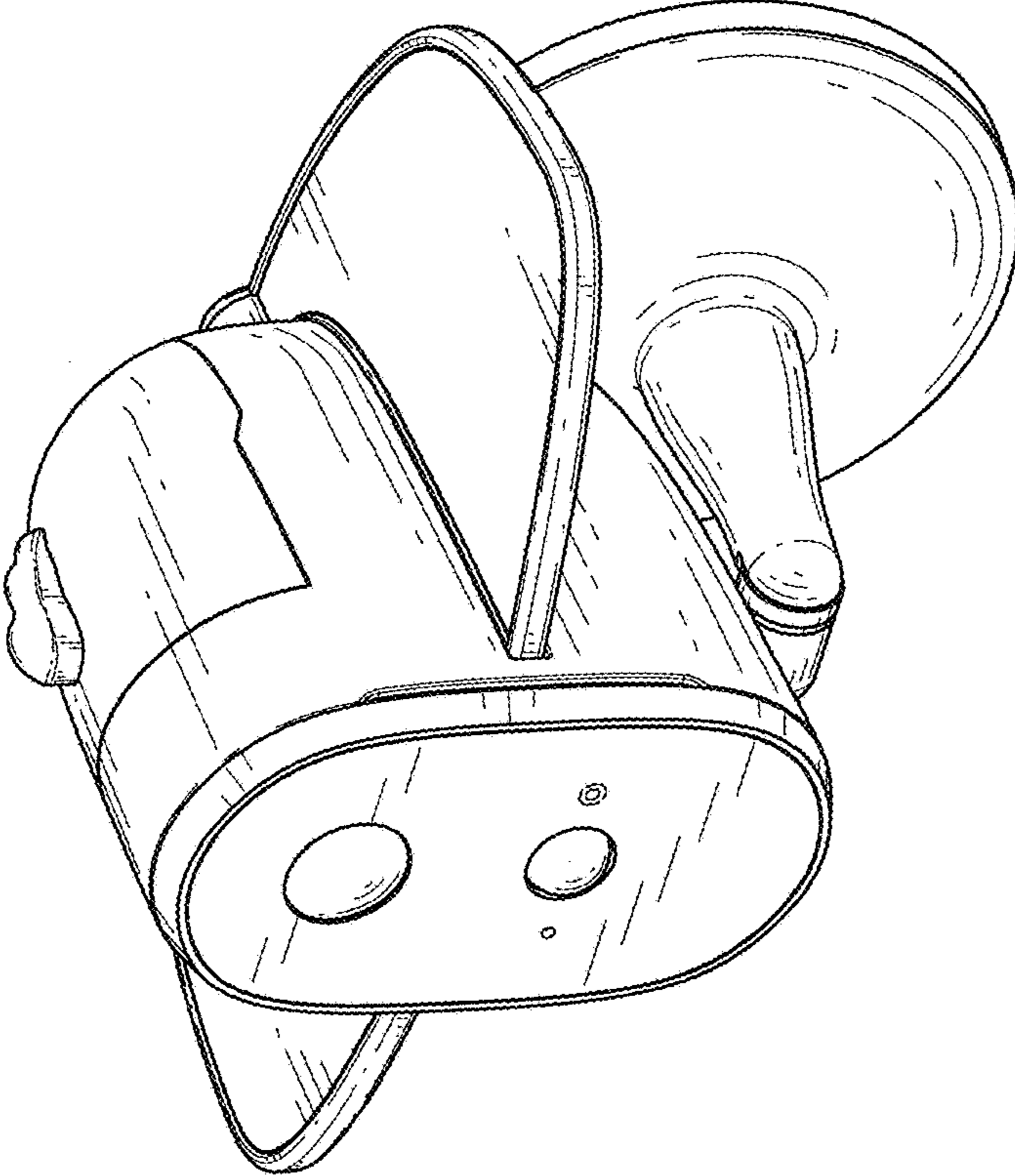


FIG. 1

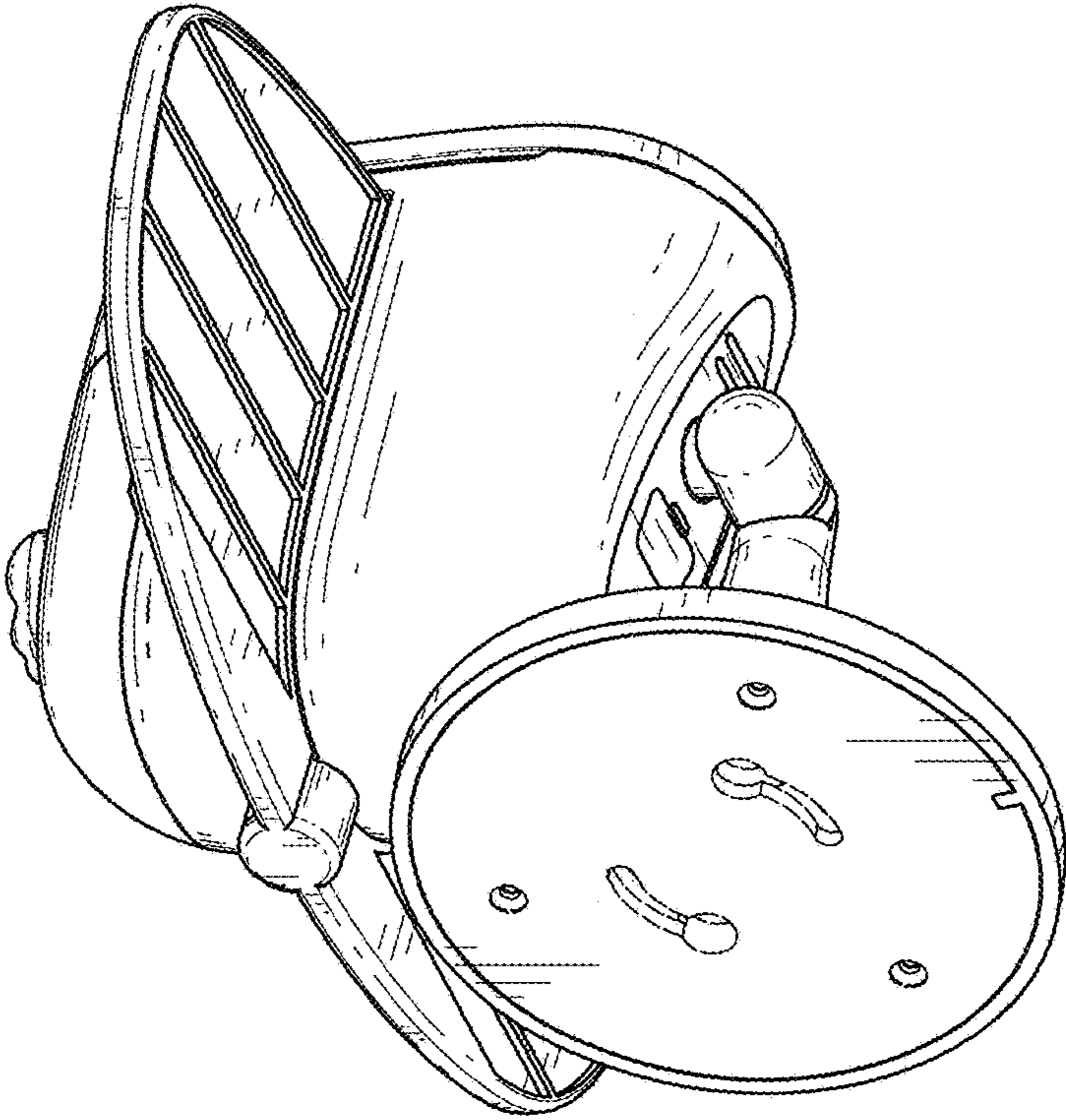


FIG. 2

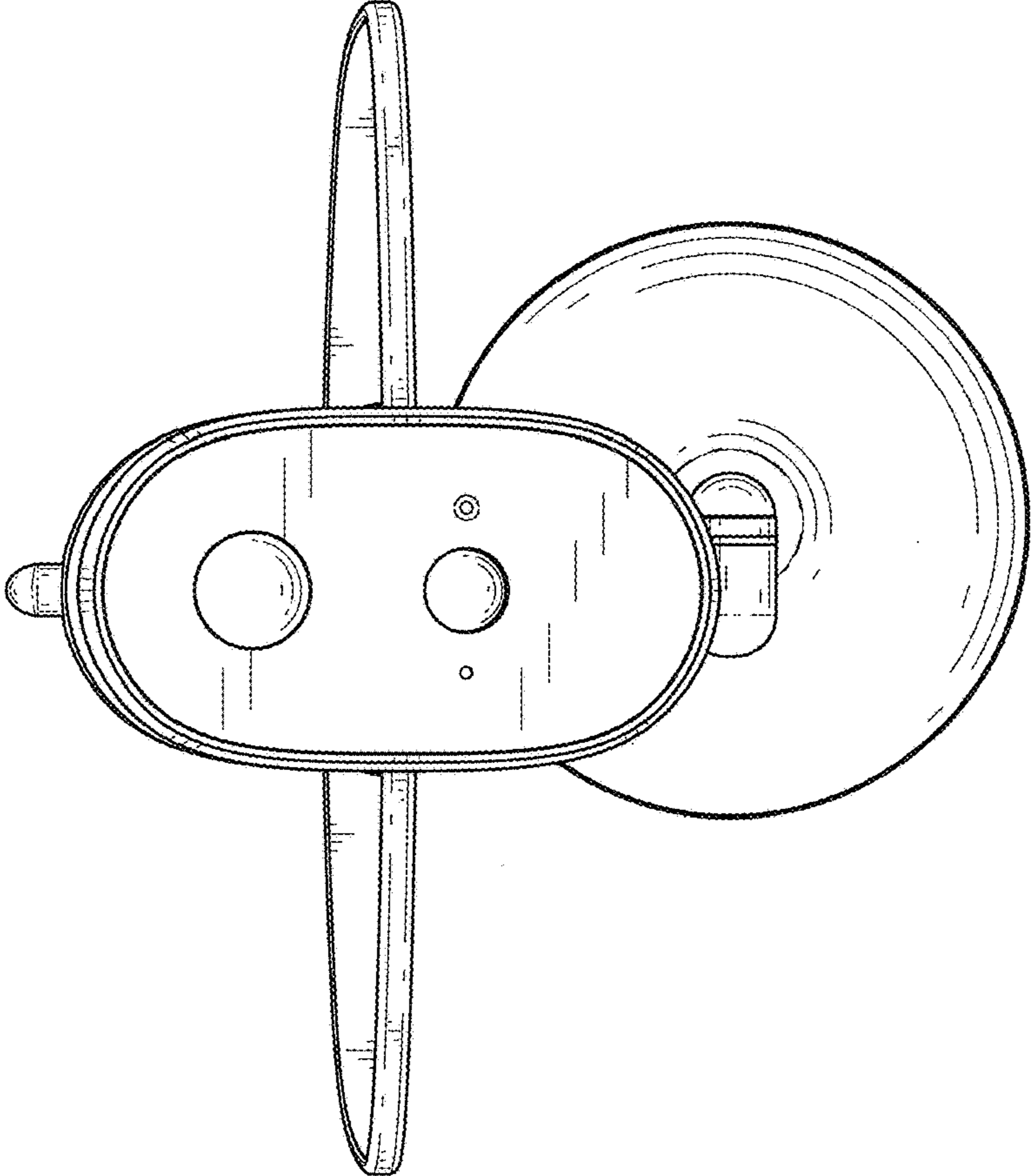


FIG. 3

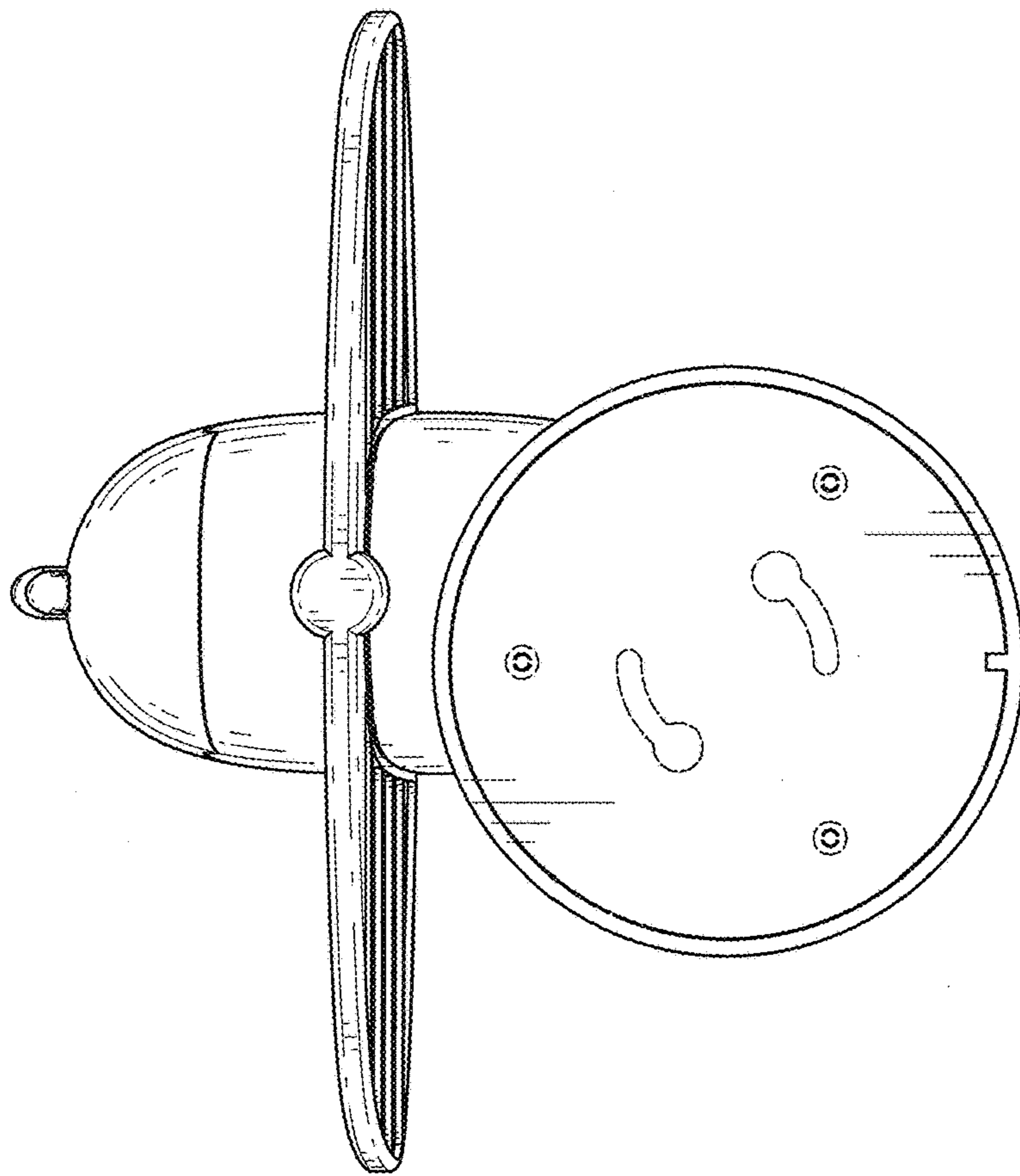


FIG. 4

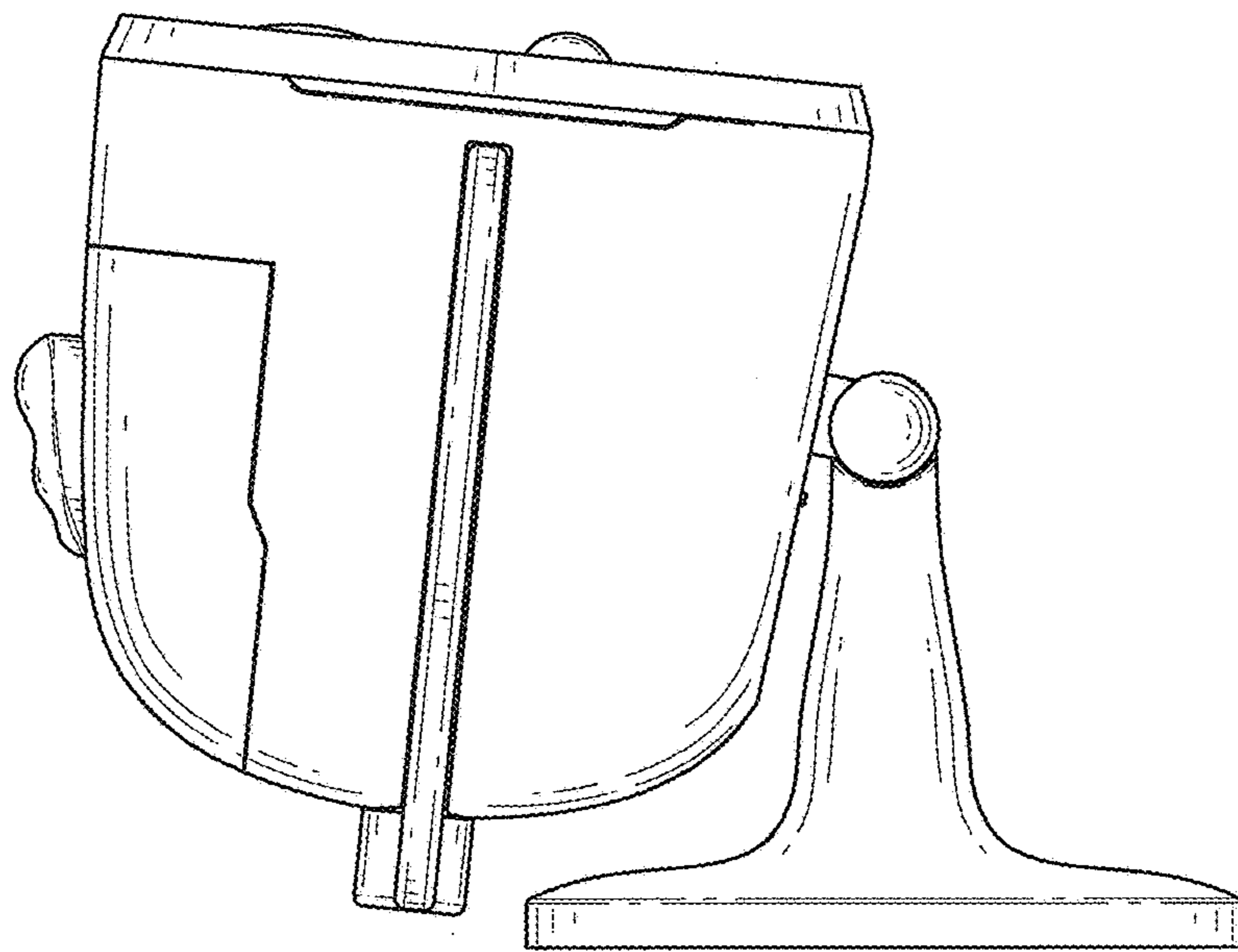


FIG. 5

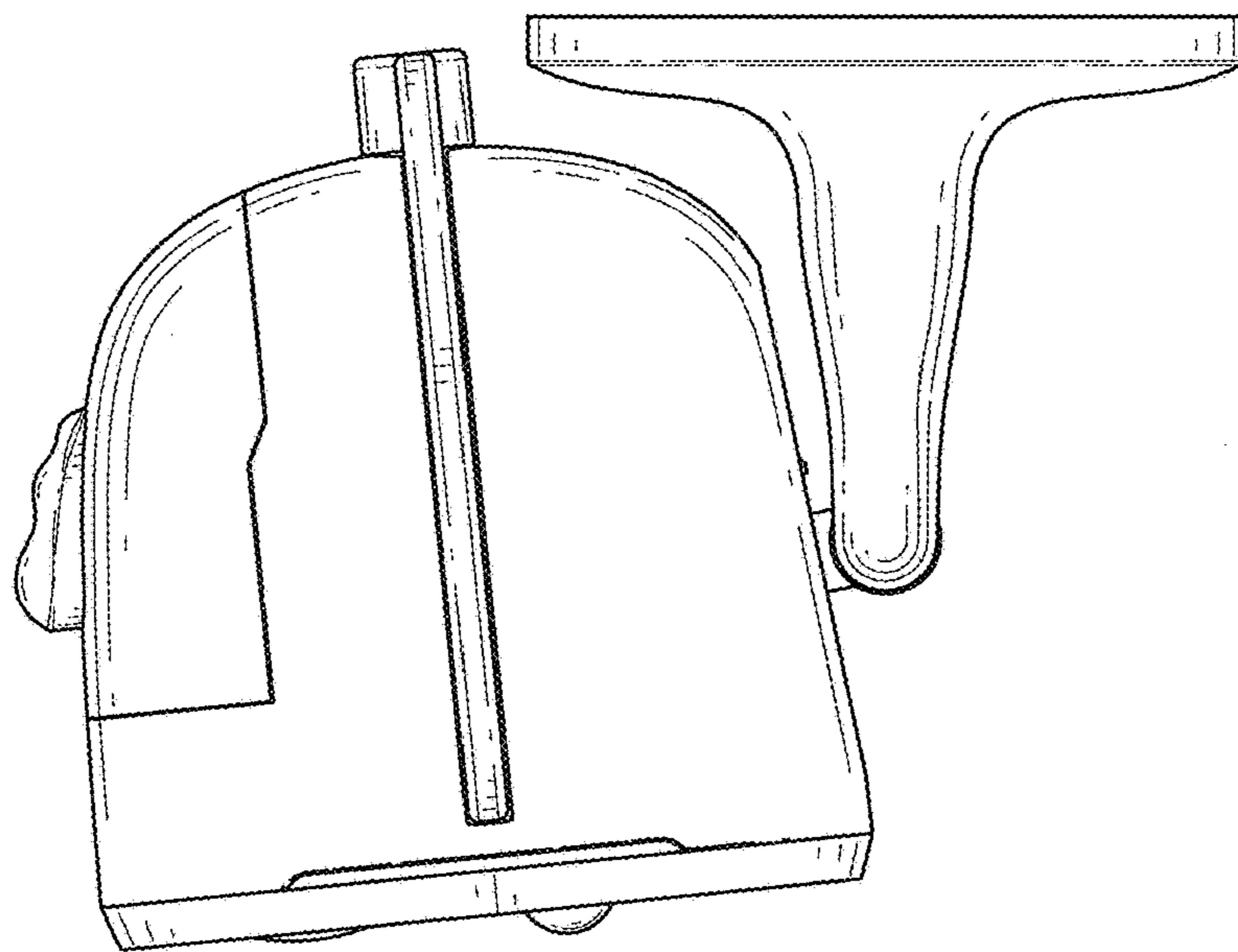


FIG. 6

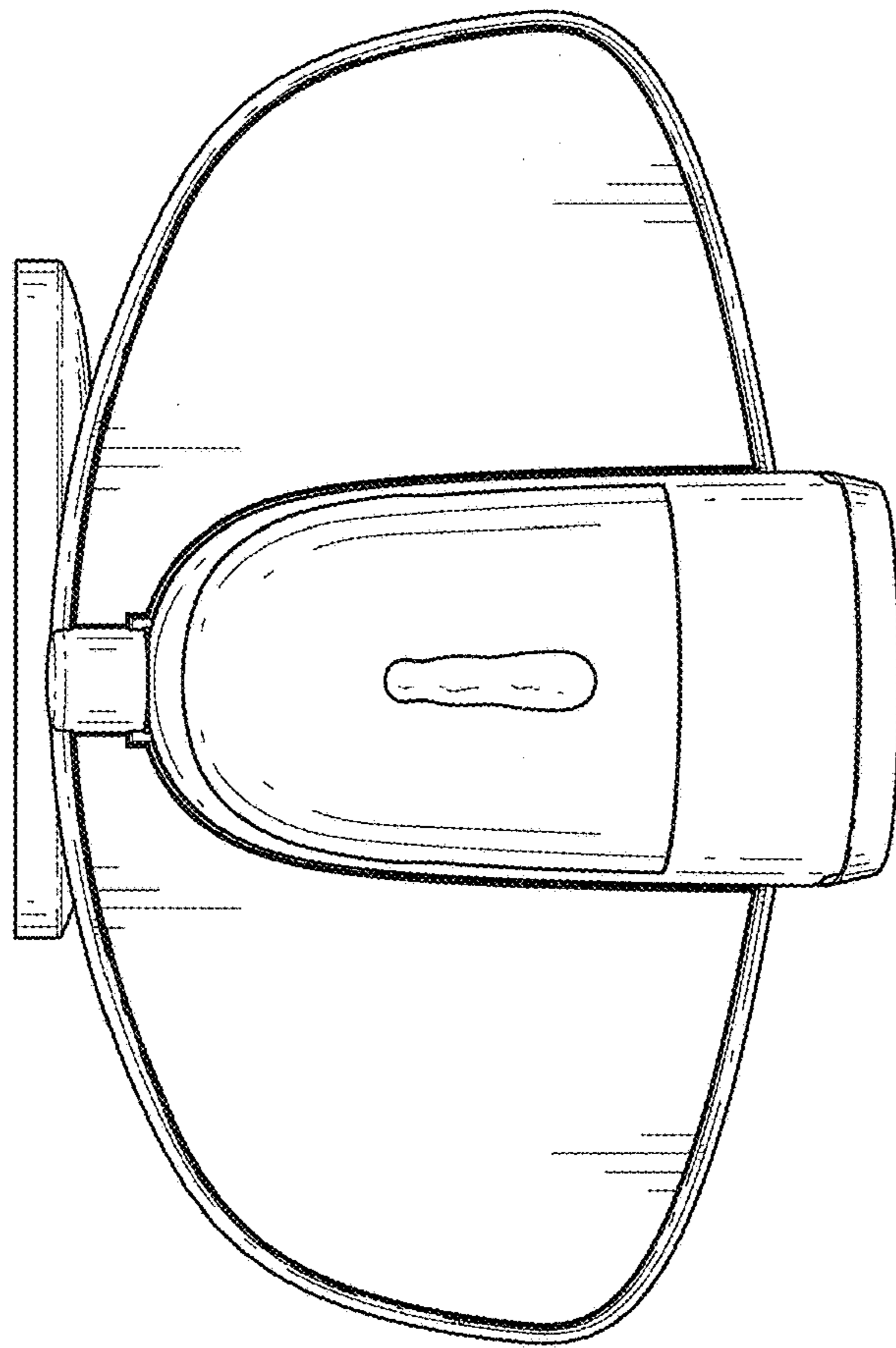


FIG. 7

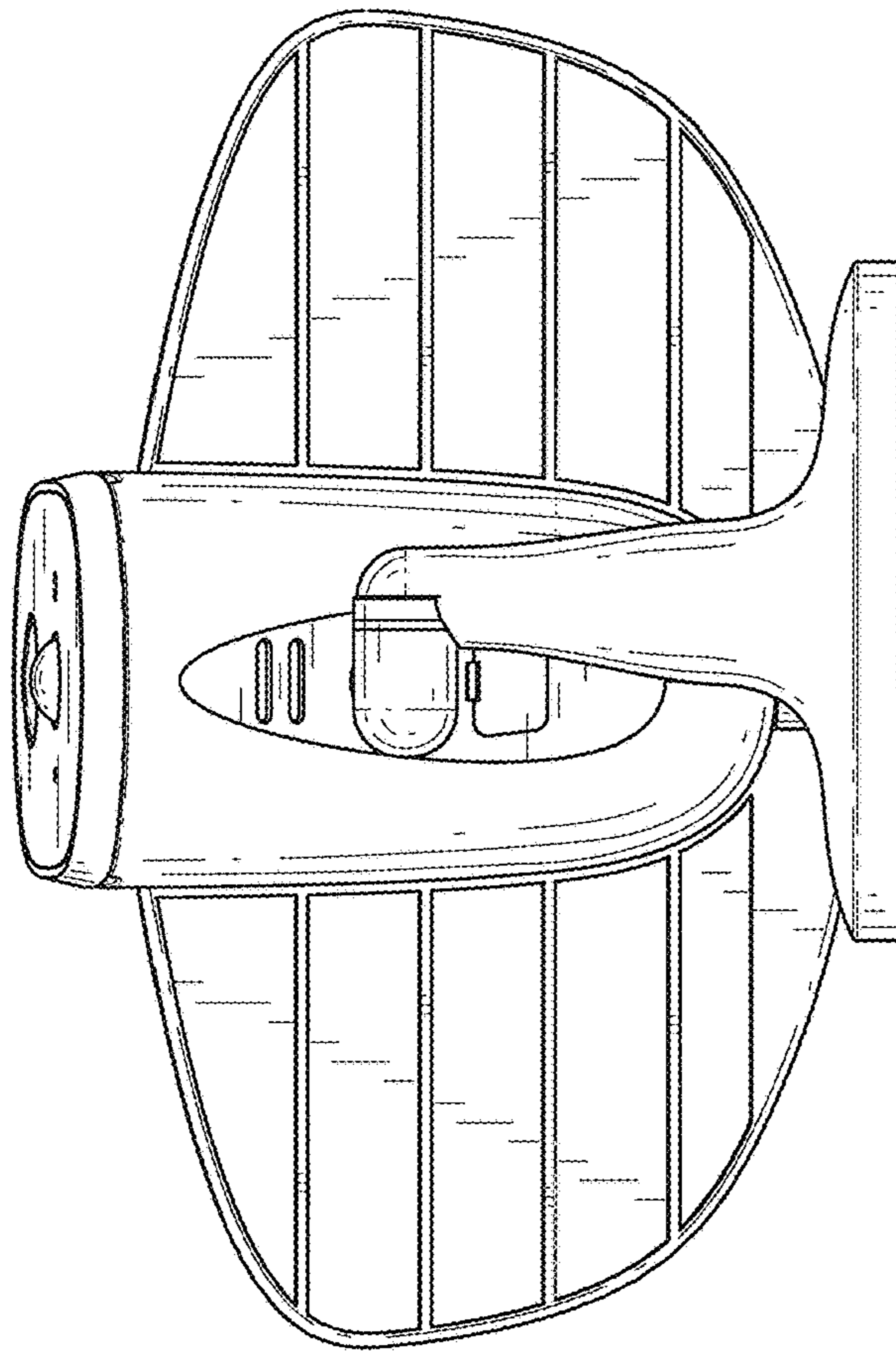


FIG. 8