



US00D863397S

(12) **United States Design Patent** (10) **Patent No.:** **US D863,397 S**
Shain (45) **Date of Patent:** **** Oct. 15, 2019**

(54) **CAMERA**

(71) Applicant: **FLIR Systems, Inc.**, Wilsonville, OR (US)

(72) Inventor: **Chaim Shain**, Parkland, FL (US)

(73) Assignee: **FLIR SYSTEMS, INC.**, Wilsonville, OR (US)

(**) Term: **15 Years**

(21) Appl. No.: **29/653,588**

(22) Filed: **Jun. 15, 2018**

Related U.S. Application Data

(63) Continuation of application No. 29/598,594, filed on Mar. 27, 2017.

(51) **LOC (12) Cl.** **16-01**

(52) **U.S. Cl.**
USPC **D16/202**

(58) **Field of Classification Search**
USPC D16/200, 202–205, 208, 218, 219, 242;
348/14.01–14.06, 143, 148, 373–376;
396/419, 427, 535, 539–541
CPC G03B 17/02; G03B 19/04; G03B 17/56;
G03B 17/04; G03B 15/03; H04N 5/2251;
H04N 5/2252; H04N 5/2253; H04N
5/2254; H04N 2007/145; H04N 7/141;
H04N 7/142; H04N 7/147; H04N 7/148;
H04N 7/15; H04N 7/152
See application file for complete search history.

(56) **References Cited**

U.S. PATENT DOCUMENTS

D282,068 S * 1/1986 Claggett D14/239
D354,973 S * 1/1995 Hisatune 348/143
D456,432 S * 4/2002 Kim D16/202
D480,099 S * 9/2003 Zou D16/202
6,912,007 B2 * 6/2005 Gin G08B 13/19619
348/143

D518,842 S * 4/2006 Hilborn D16/200
D558,811 S * 1/2008 Higgins D16/203
D606,105 S * 12/2009 Hinkel D16/203
D643,455 S * 8/2011 Raa D16/203
D657,809 S * 4/2012 Harden D16/202
D729,861 S * 5/2015 Huang D16/203
D822,747 S * 7/2018 Van Deusen D16/218
D834,633 S * 11/2018 Carlson D16/208

OTHER PUBLICATIONS

Vicon, Vicon Data Sheet No. 8009-7247-10-04, Roughneck “V-Cell-HD Corner-Mount Network Camera”, Nov. 2015, 2 pages, <<http://www.vicon-security.com/wp-content/uploads/2015/12/V-CELL-HD-Datasheet-EN.pdf>>.

Bosch, “EX36-IP No-Grip Corner Mount Camera”, Bosch Security Systems, Oct. 2013, 3 pages, en, V3, 04, <http://resource.boschsecurity.com/documents/Data_sheet_enUS_1663224459.pdf>.

* cited by examiner

Primary Examiner — Ramzi S Almatrahi

(74) *Attorney, Agent, or Firm* — Haynes and Boone, LLP

(57) **CLAIM**

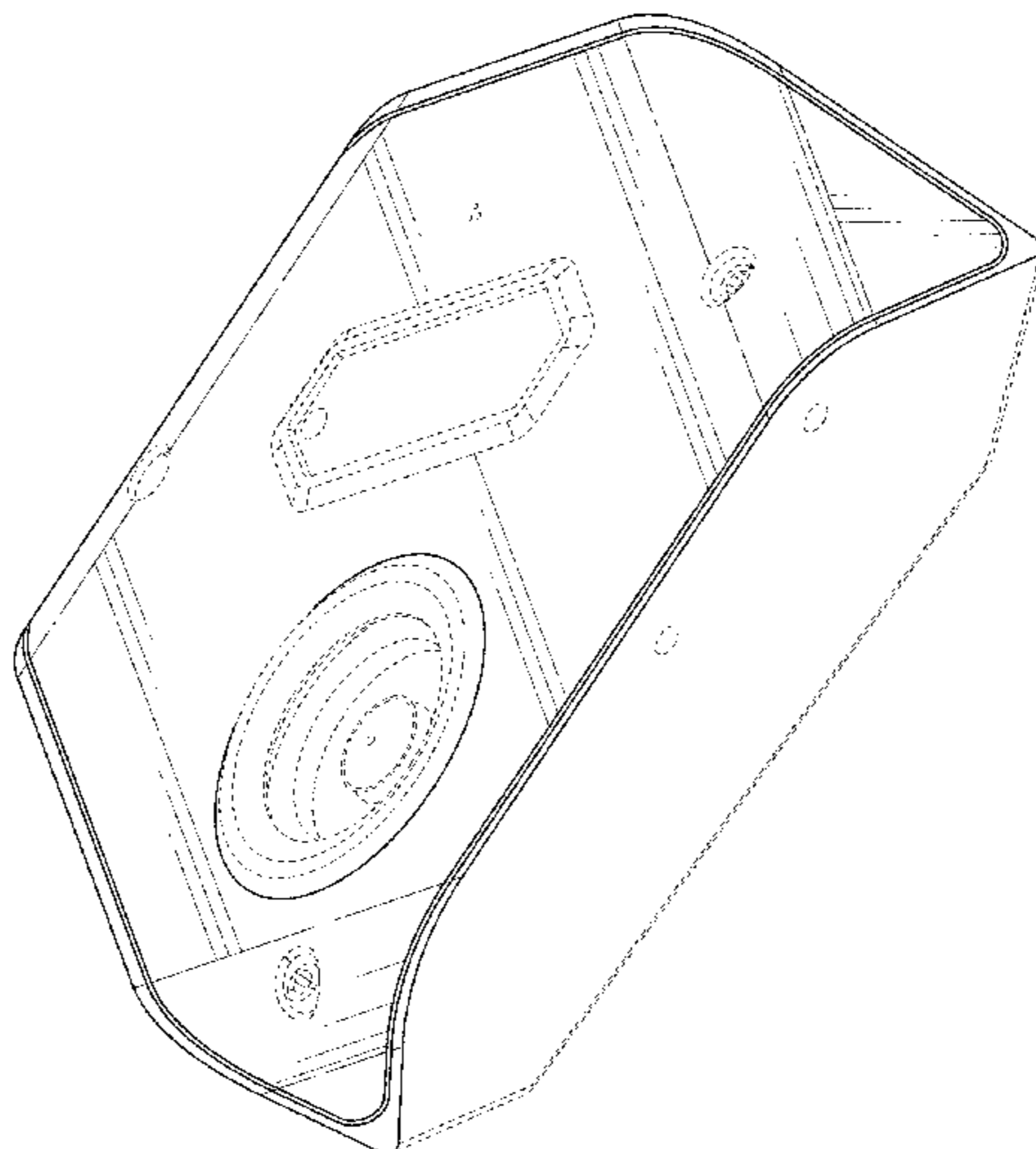
The ornamental design for a camera, as shown and described.

DESCRIPTION

FIG. 1 is a front, left, and bottom perspective view of a camera embodying the new design;
FIG. 2 is a rear, right, and top perspective view thereof;
FIG. 3 is a rear elevational view thereof;
FIG. 4 is a front elevational view thereof;
FIG. 5 is a right side elevational view thereof;
FIG. 6 is a left side elevational view thereof;
FIG. 7 is a top plan view thereof; and,
FIG. 8 is a bottom plan view thereof.

The broken lines depict portions of the camera in which the design is embodied that form no part of the claimed design.

1 Claim, 8 Drawing Sheets



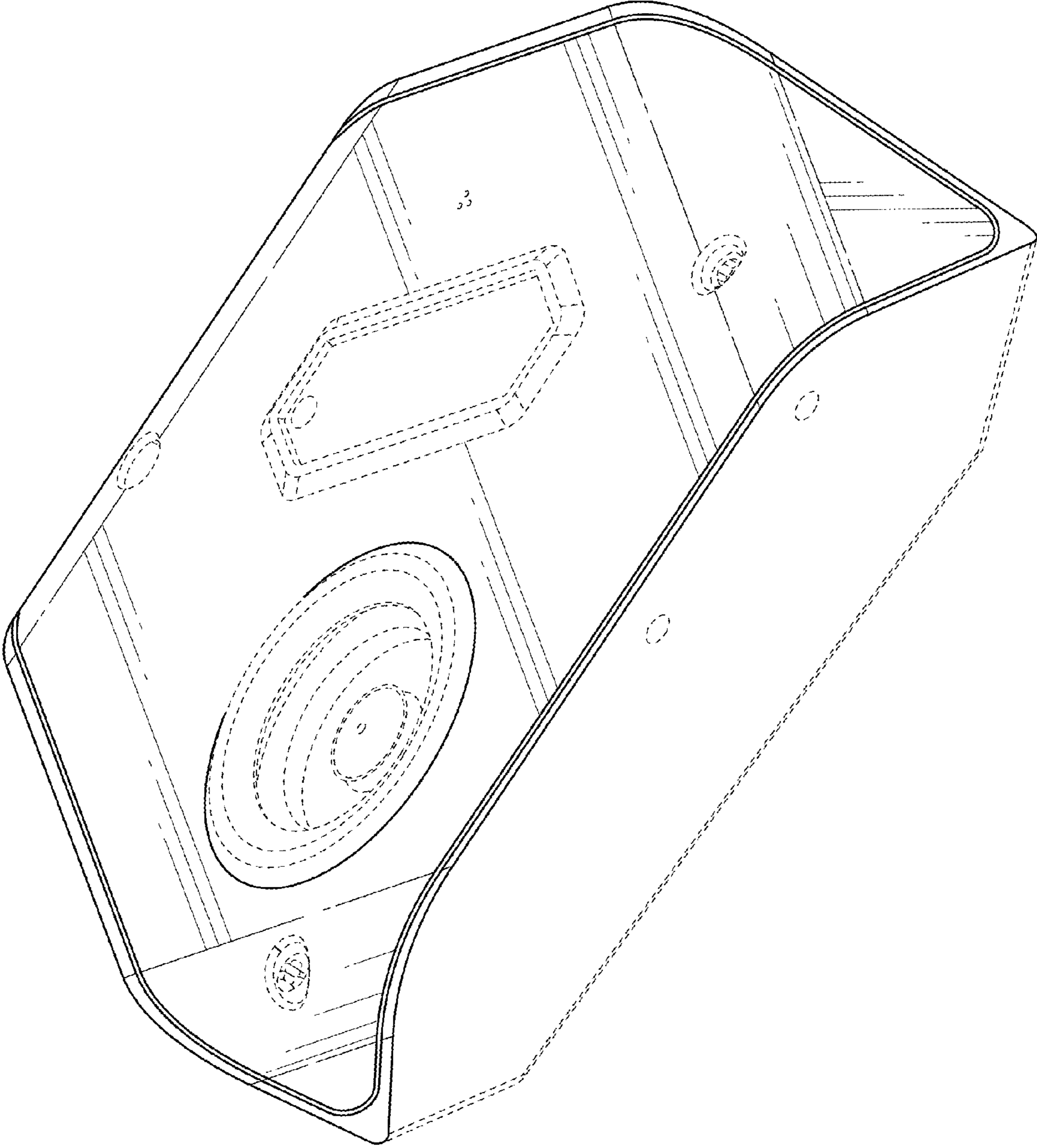


FIG. 1

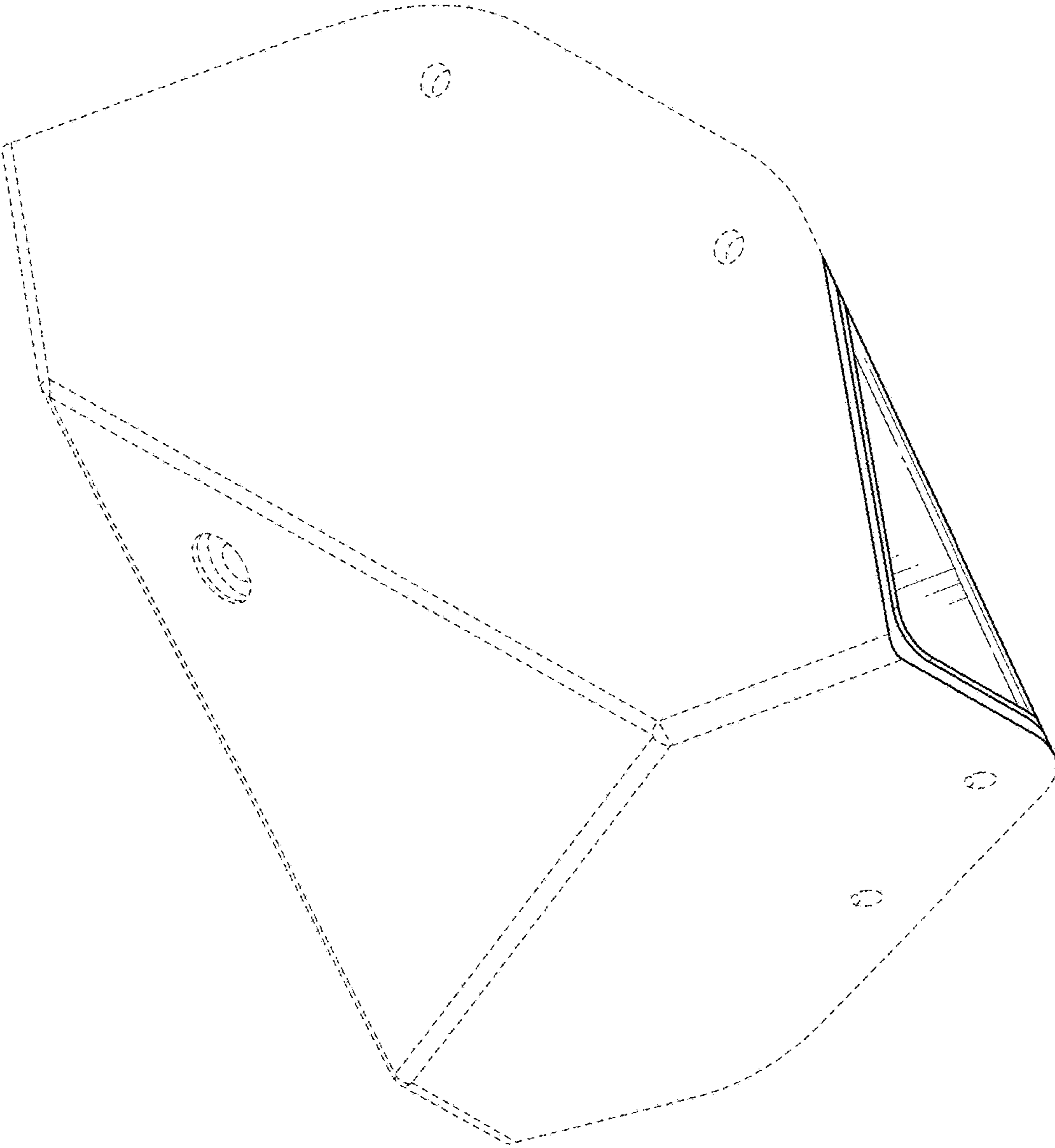


FIG. 2

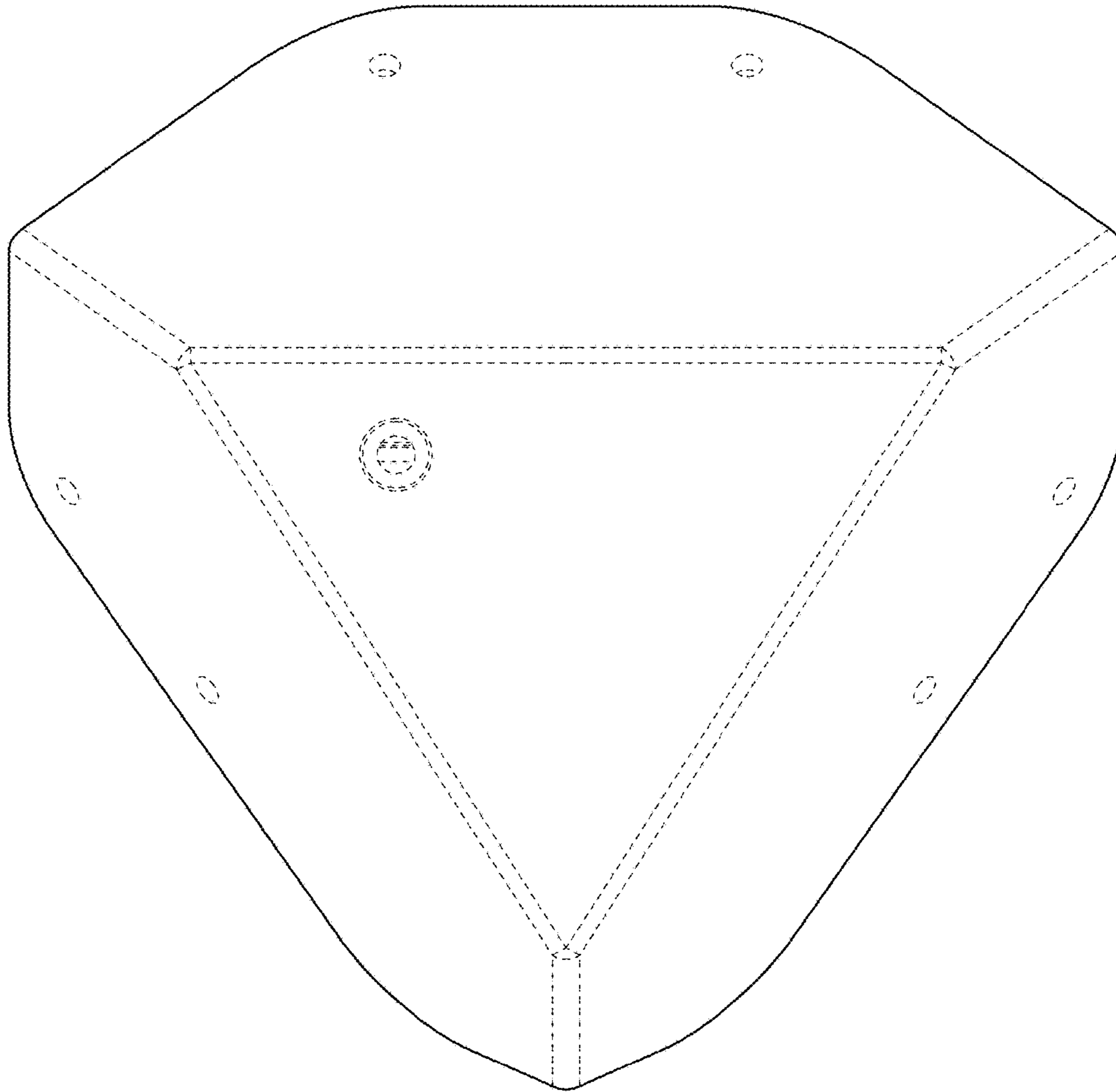


FIG. 3

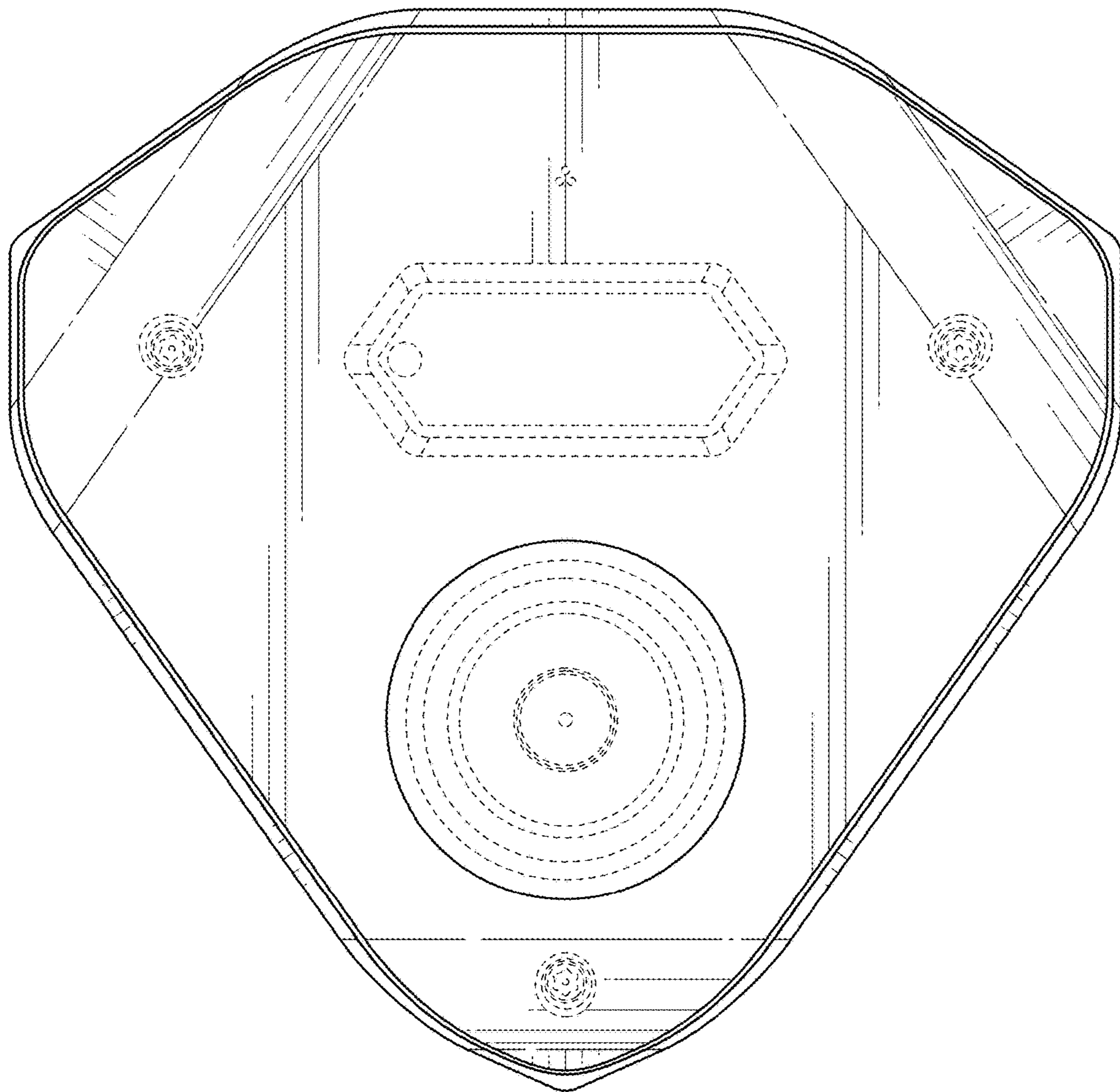


FIG. 4

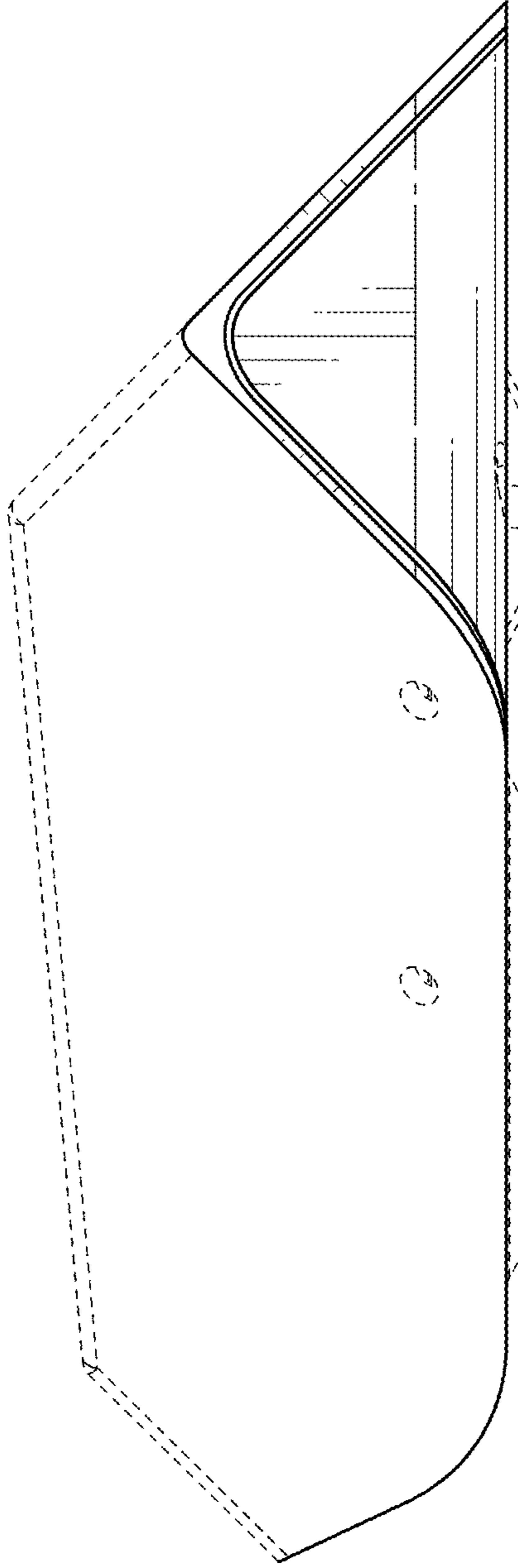


FIG. 5

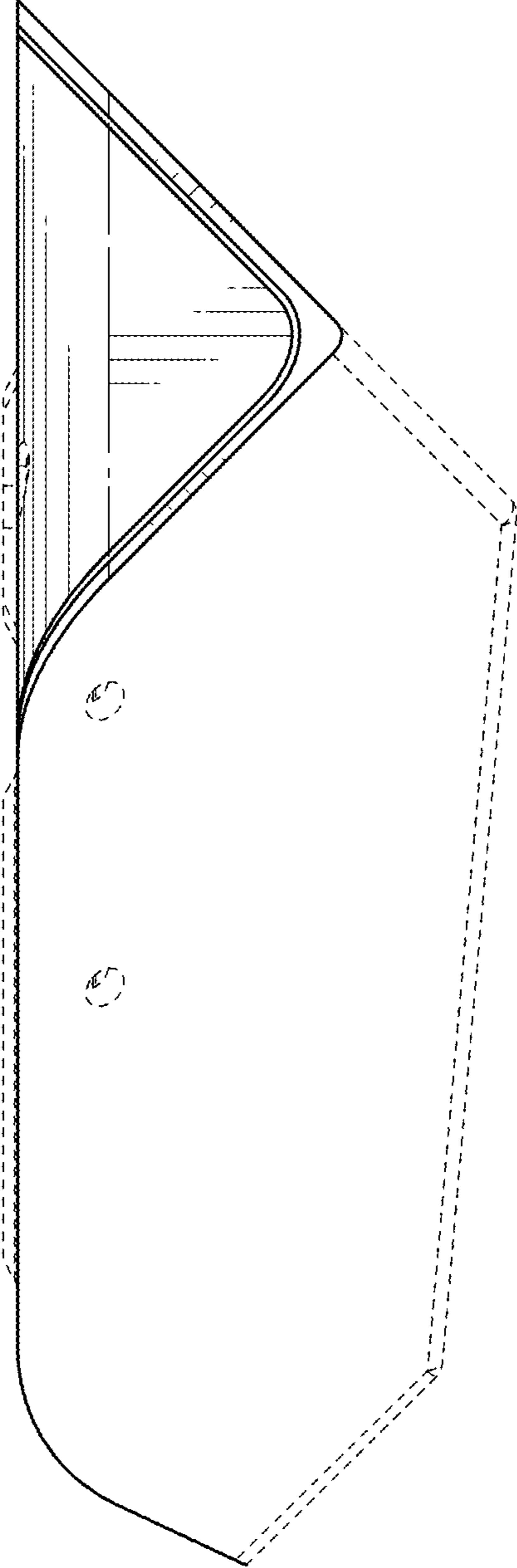


FIG. 6

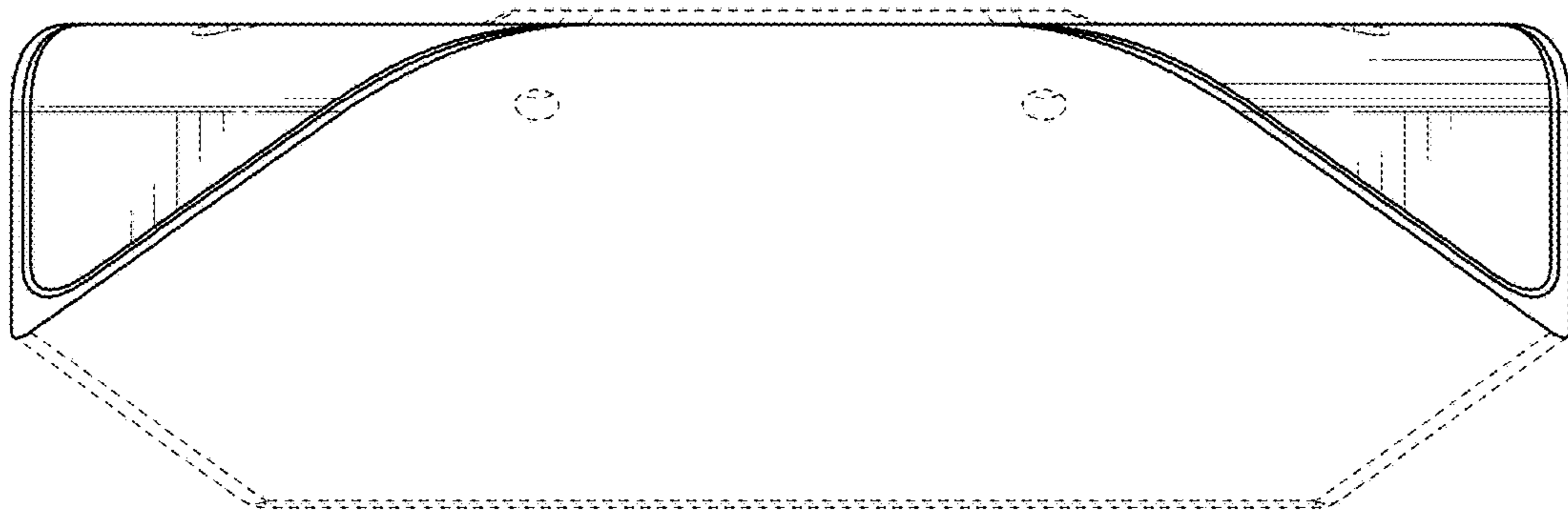


FIG. 7

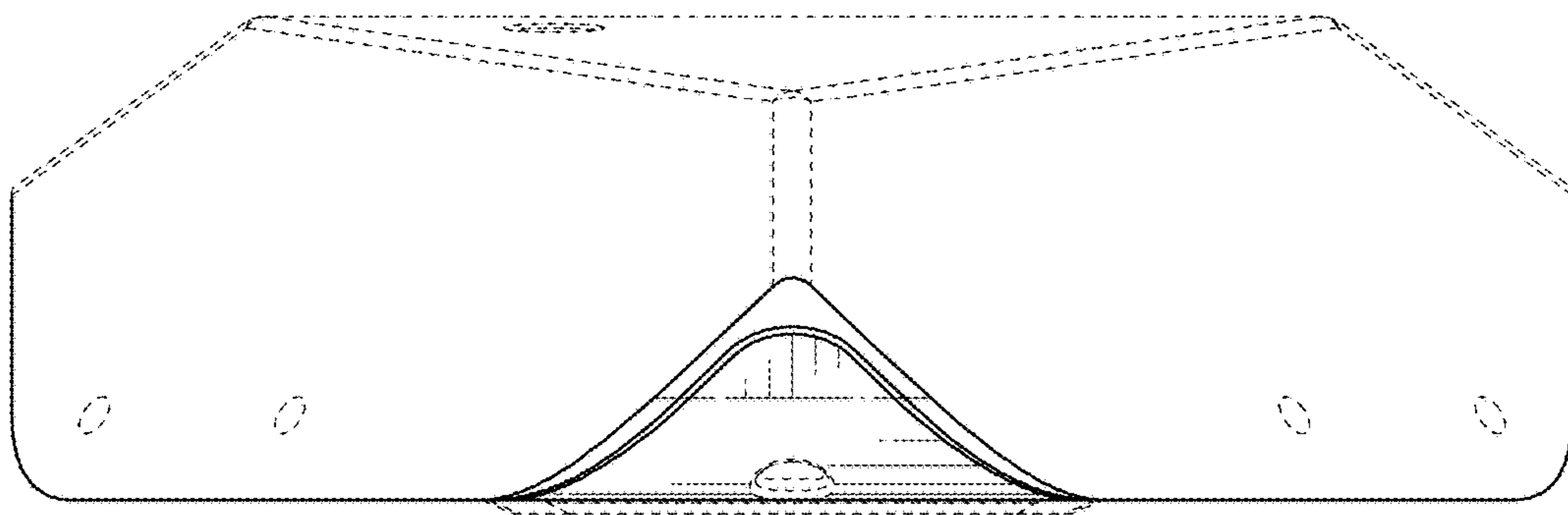


FIG. 8