



US00D863394S

(12) **United States Design Patent**  
**Shain**

(10) **Patent No.:** **US D863,394 S**

(45) **Date of Patent:** **\*\* Oct. 15, 2019**

(54) **CAMERA**

(71) Applicant: **FLIR Systems, Inc.**, Wilsonville, OR (US)

(72) Inventor: **Chaim Shain**, Ridgefield, NJ (US)

(73) Assignee: **FLIR SYSTEMS, INC.**, Wilsonville, OR (US)

(\*\*) Term: **15 Years**

(21) Appl. No.: **29/598,594**

(22) Filed: **Mar. 27, 2017**

(51) **LOC (12) Cl.** ..... **16-01**

(52) **U.S. Cl.**  
USPC ..... **D16/202**

(58) **Field of Classification Search**  
USPC ..... D16/200, 202–205, 208, 218, 219, 242;  
348/14.01–14.06, 143, 148, 373–376;  
396/419, 427, 535, 539–541

CPC ..... G03B 17/02; G03B 19/04; G03B 17/56;  
G03B 17/04; G03B 15/03; H04N 5/2251;  
H04N 5/2252; H04N 5/2253; H04N  
5/2254; H04N 2007/145; H04N 7/141;  
H04N 7/142; H04N 7/147; H04N 7/148;  
H04N 7/15; H04N 7/152

See application file for complete search history.

(56) **References Cited**

**U.S. PATENT DOCUMENTS**

D282,068 S *	1/1986	Claggett	.....	D14/239
D354,973 S *	1/1995	Hisatune	.....	348/143
D456,432 S *	4/2002	Kim	.....	D16/202
D480,099 S *	9/2003	Zou	.....	D16/202
6,912,007 B2 *	6/2005	Gin	.....	G08B 13/19619 348/143
D518,842 S *	4/2006	Hilborn	.....	D16/200
D558,811 S *	1/2008	Higgins	.....	D16/203

D606,105 S *	12/2009	Hinkel	.....	D16/203
D643,455 S *	8/2011	Raa	.....	D16/203
D657,809 S *	4/2012	Harden	.....	D16/202
D729,861 S *	5/2015	Huang	.....	D16/203
D822,747 S *	7/2018	Van Deusen	.....	D16/218
D834,633 S *	11/2018	Carlson	.....	D16/208

**OTHER PUBLICATIONS**

Vicon, Vicon Data Sheet No. 8009-7247-10-04, Roughneck “V-Cell-HD Corner-Mount Network Camera”, Nov. 2015, 2 pages, <<http://www.vicon-security.com/wp-content/uploads/2015/12/V-CELL-HD-Datasheet-EN.pdf>>.

Bosch, “EX36-IP No-Grip Corner Mount Camera”, Bosch Security Systems, Oct. 2013, 3 pages, en, V3, 04, <[http://resource.boschsecurity.com/documents/Data\\_sheet\\_enUS\\_1663224459.pdf](http://resource.boschsecurity.com/documents/Data_sheet_enUS_1663224459.pdf)>.

\* cited by examiner

*Primary Examiner* — Ramzi S Almatrahi

(74) *Attorney, Agent, or Firm* — Haynes and Boone, LLP

(57) **CLAIM**

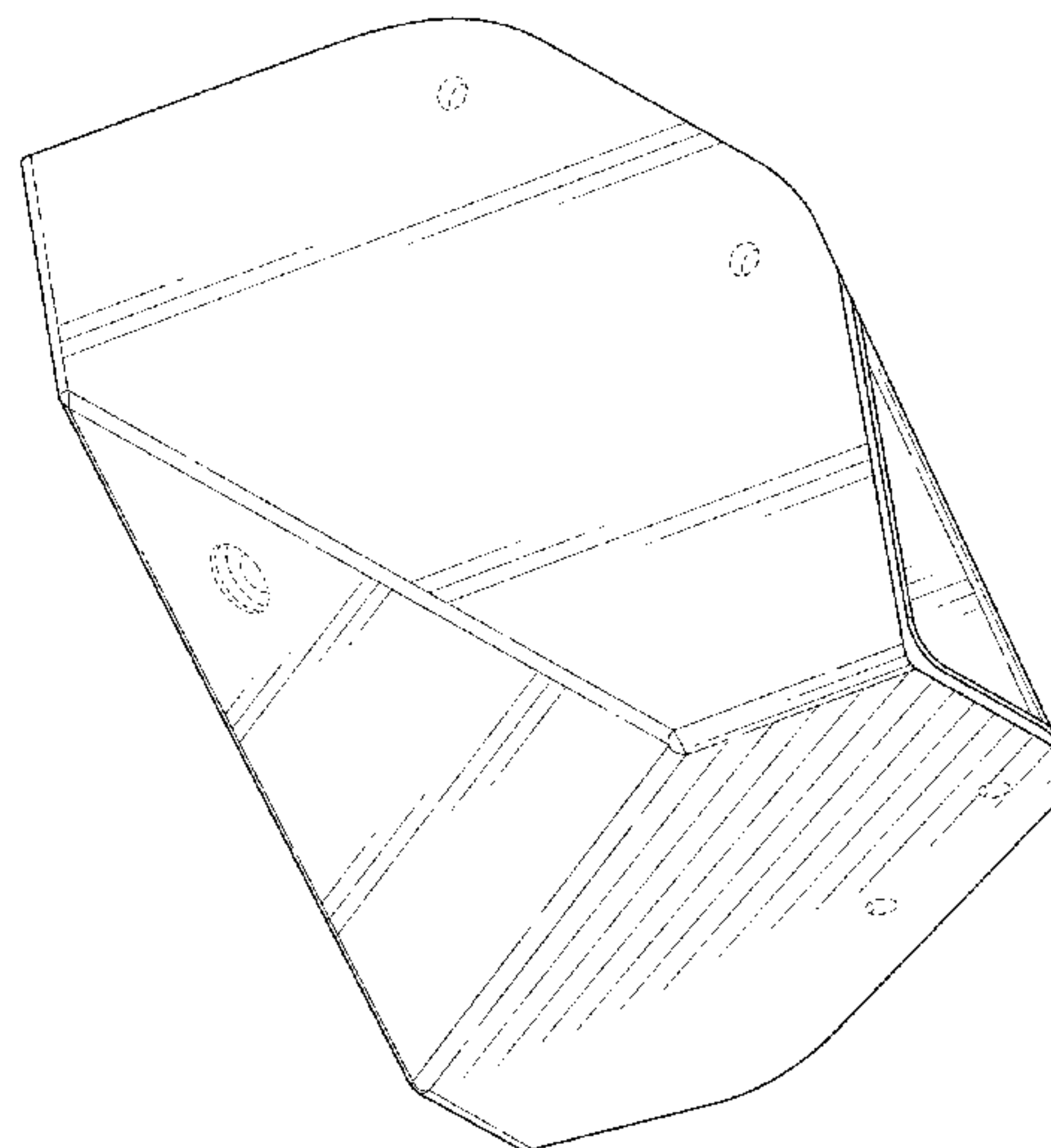
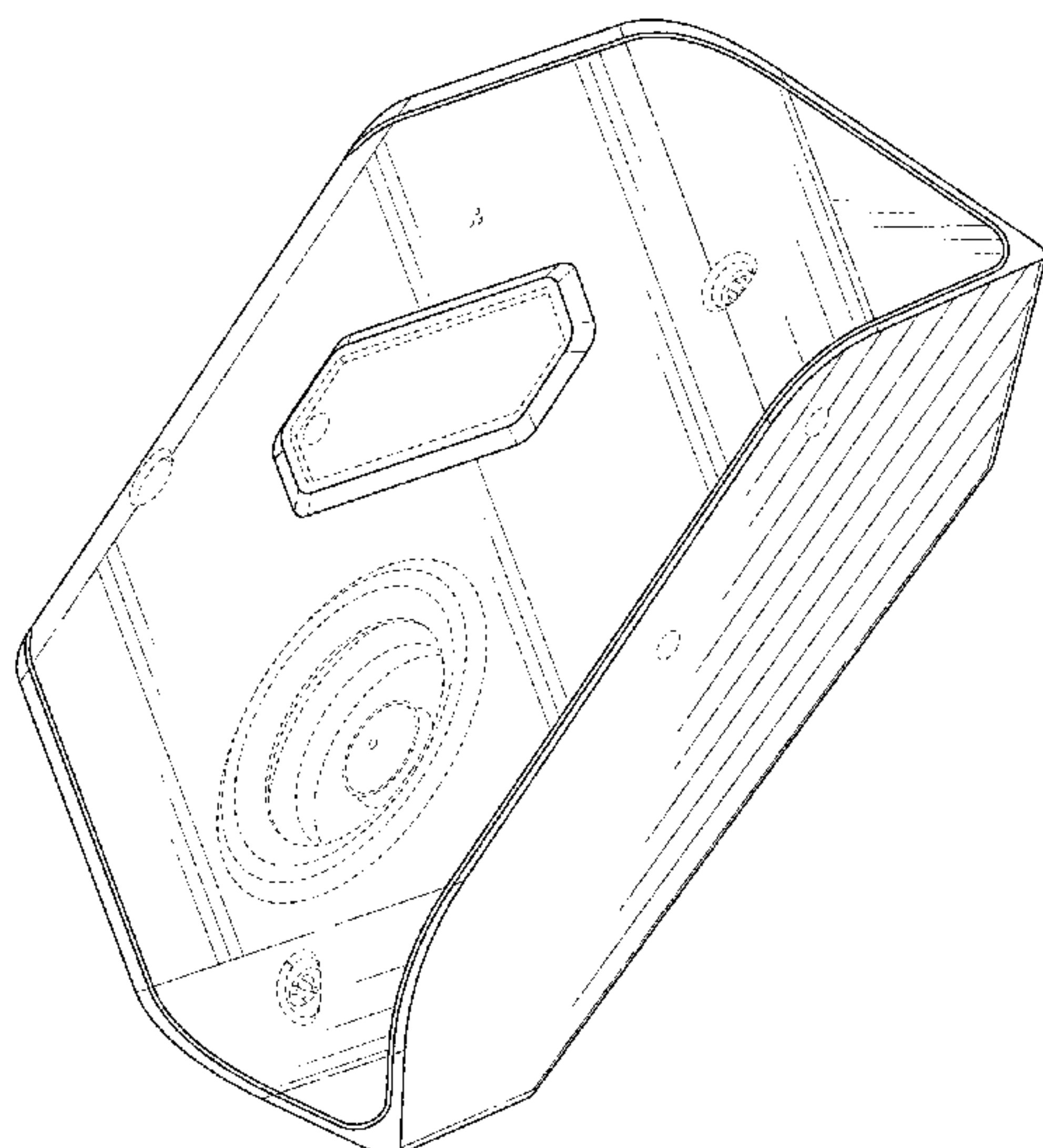
The ornamental design for a camera, as shown and described.

**DESCRIPTION**

FIG. 1 is a front, left, and bottom perspective view of a camera embodying the new design;  
FIG. 2 is a rear, right, and top perspective view thereof;  
FIG. 3 is a rear elevational view thereof;  
FIG. 4 is a front elevational view thereof;  
FIG. 5 is a right side elevational view thereof;  
FIG. 6 is a left side elevational view thereof;  
FIG. 7 is a top plan view thereof; and,  
FIG. 8 is a bottom plan view thereof.

The broken lines depict portions of the camera in which the design is embodied that form no part of the claimed design.

**1 Claim, 8 Drawing Sheets**



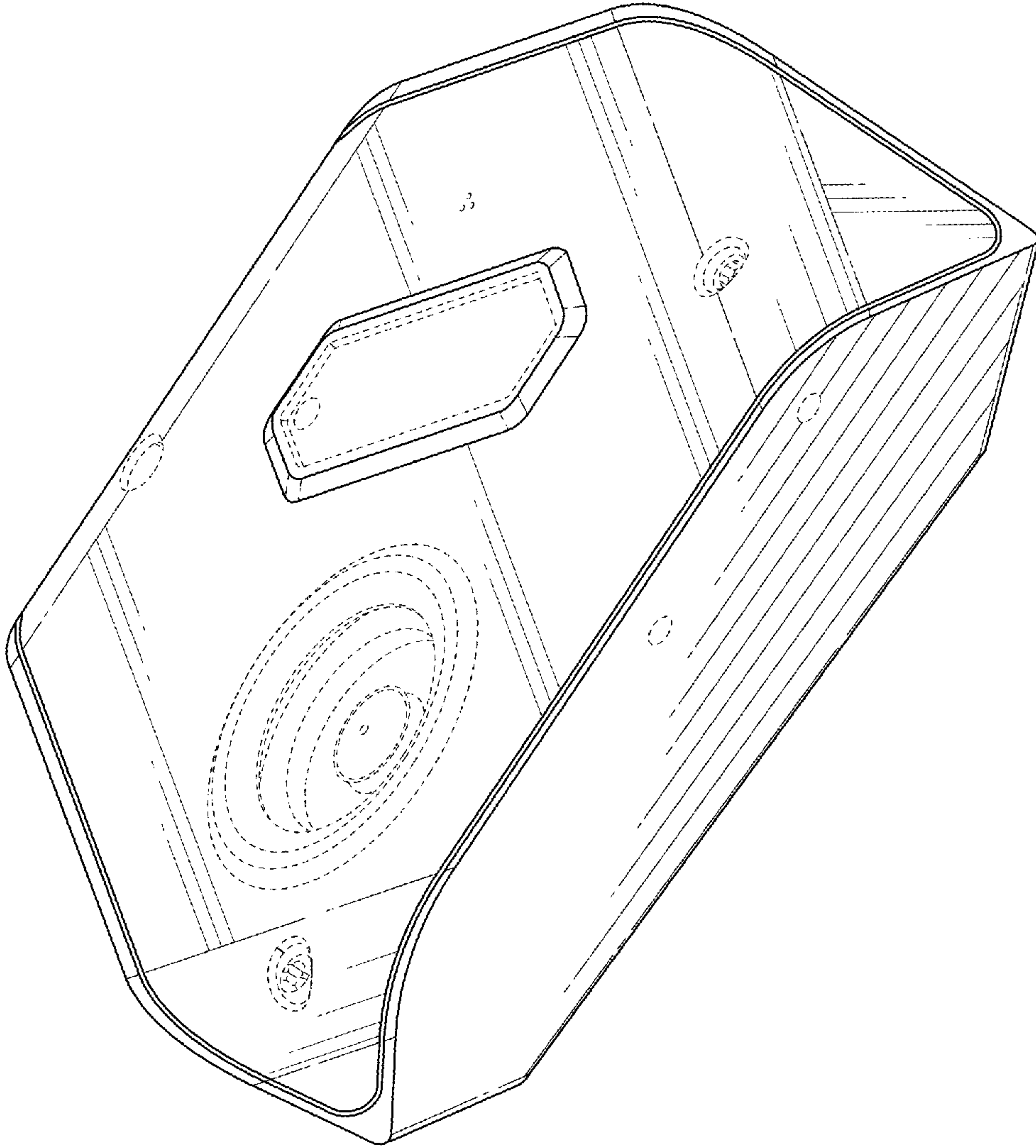


FIG. 1

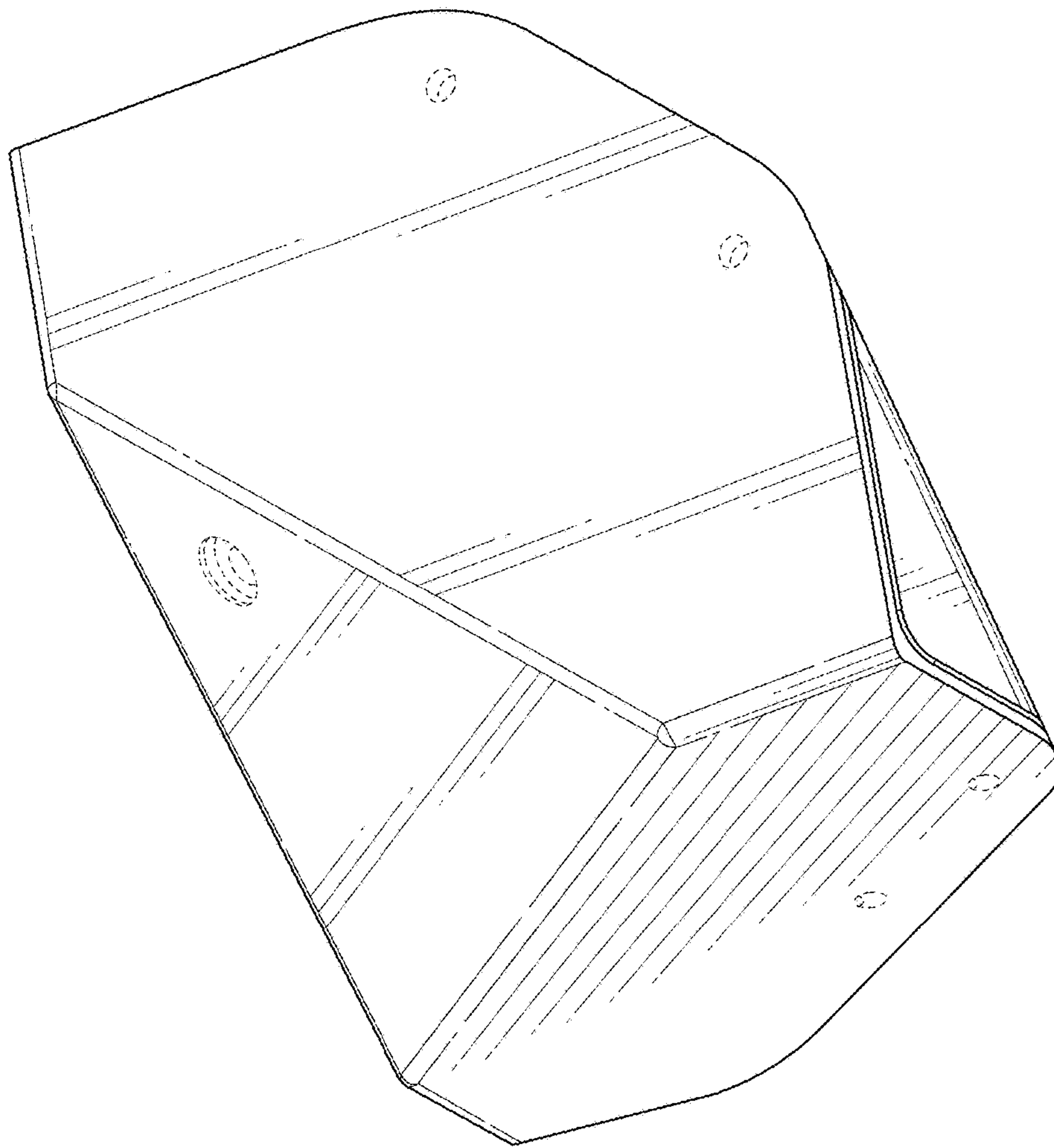


FIG. 2

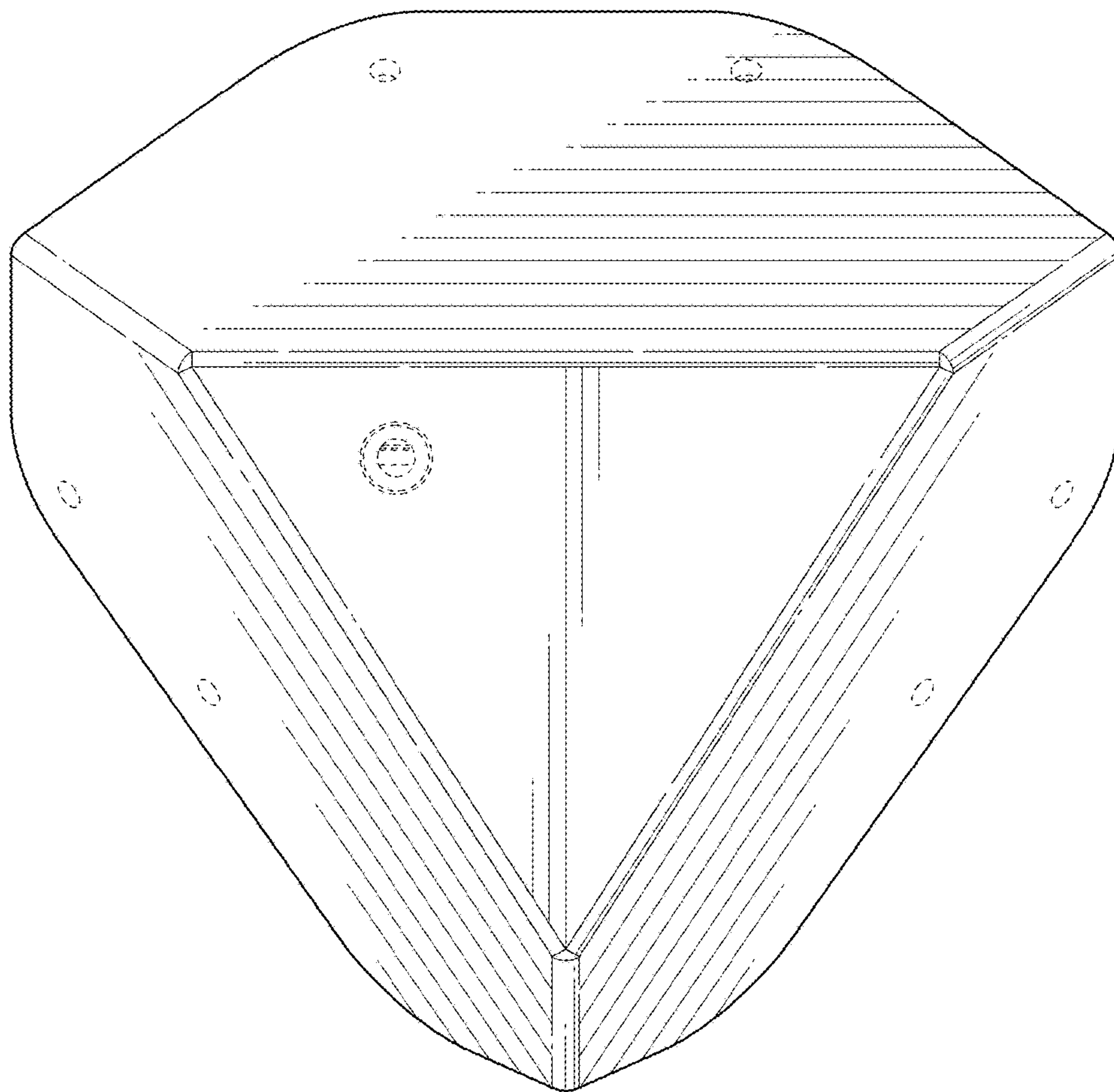


FIG. 3



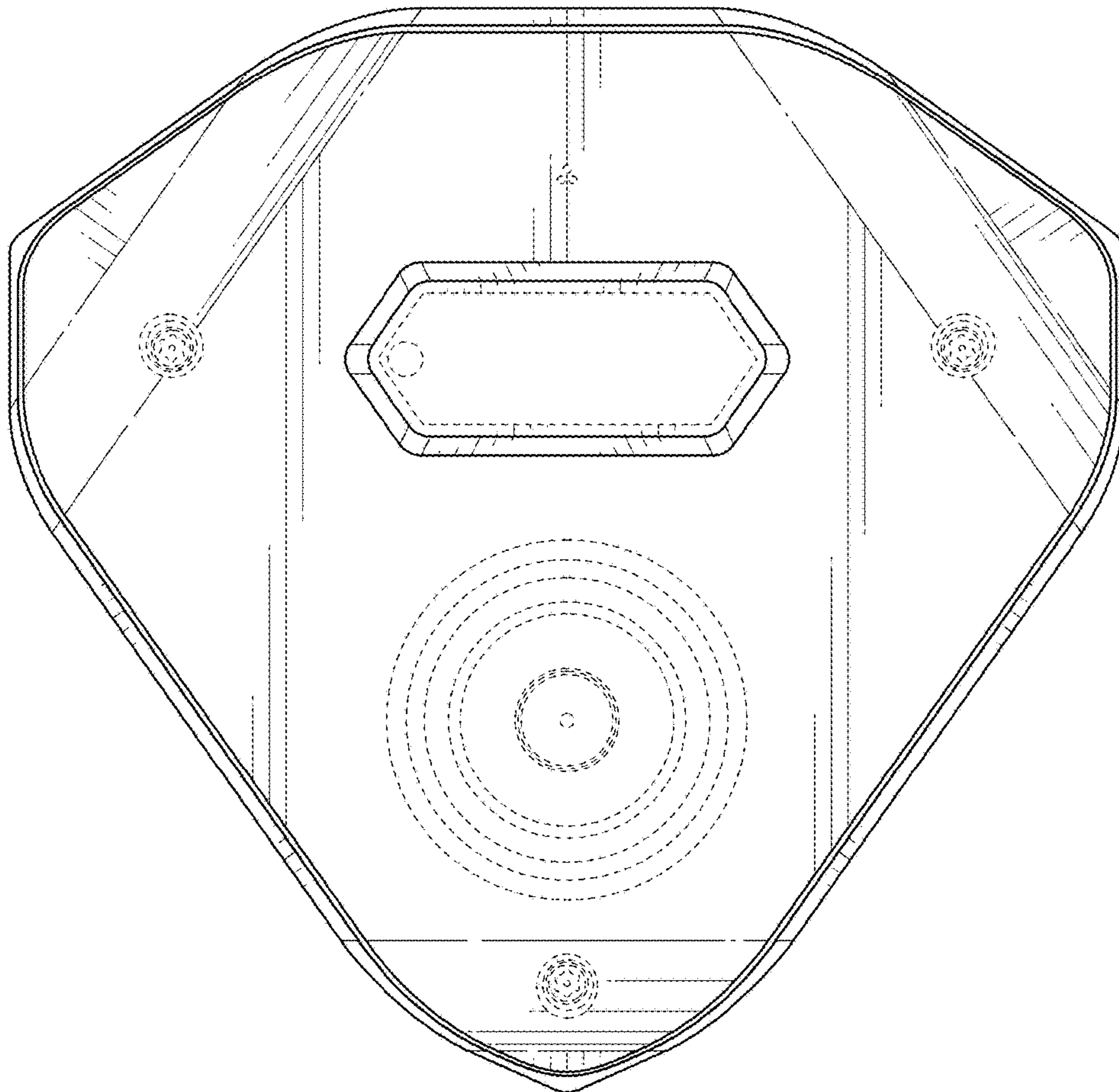


FIG. 4

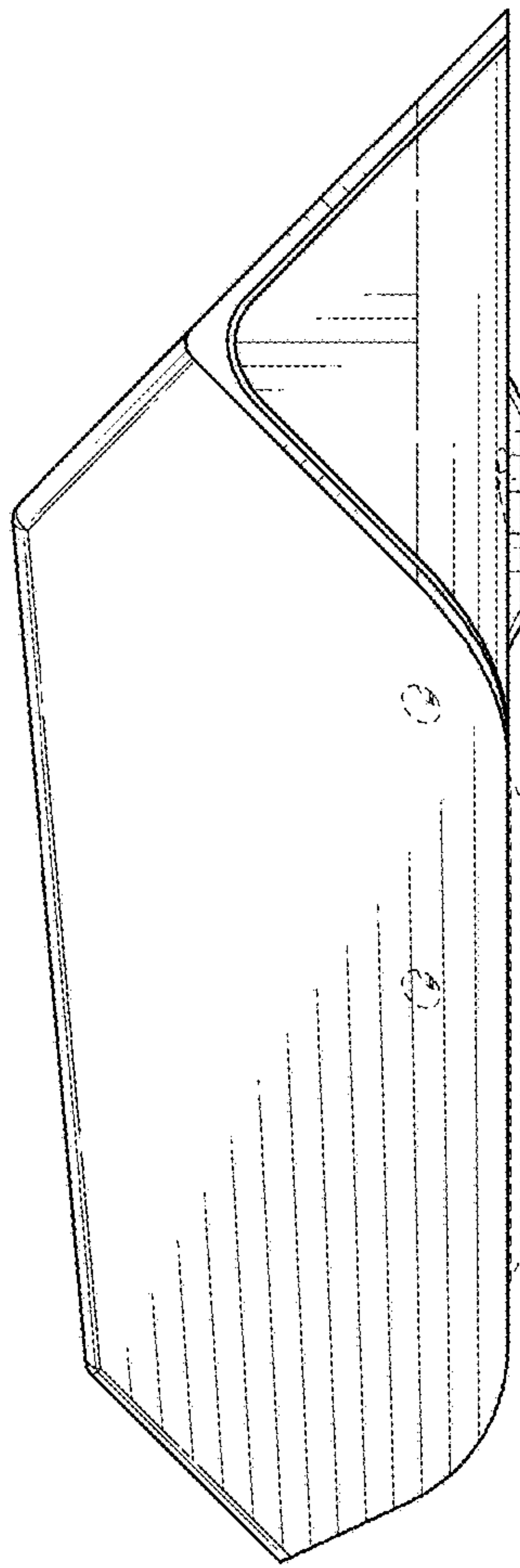


FIG. 5

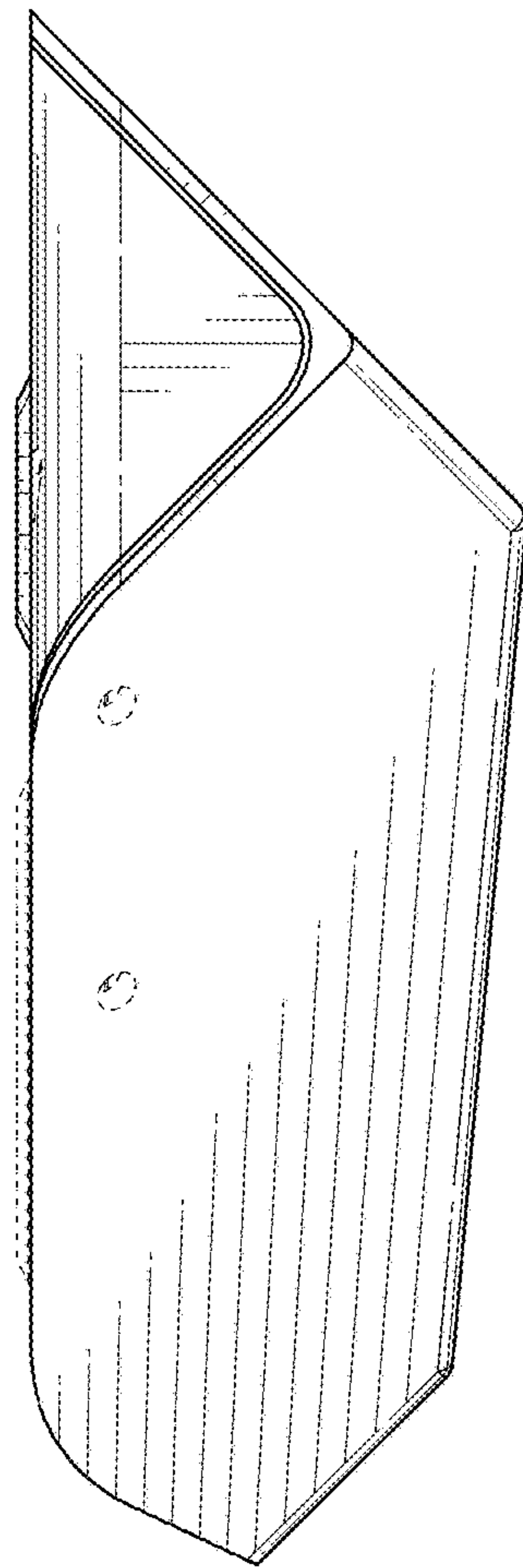


FIG. 6

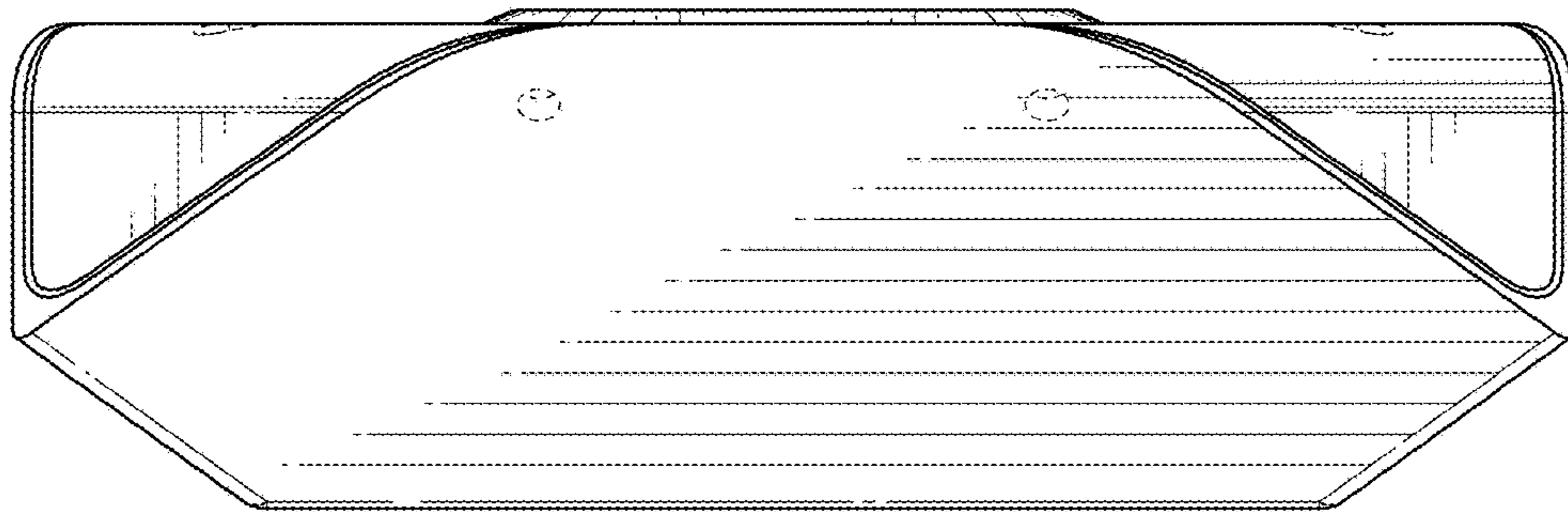


FIG. 7



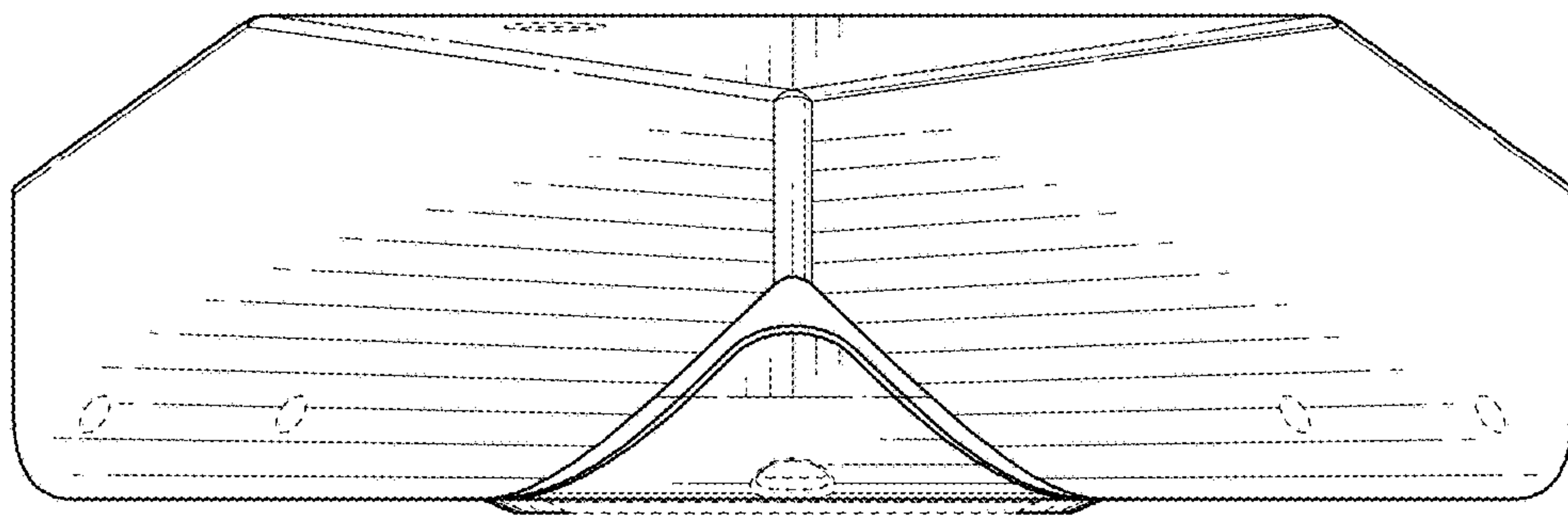


FIG. 8