



US00D863393S

(12) **United States Design Patent** (10) **Patent No.:** **US D863,393 S**
Iwasaki et al. (45) **Date of Patent:** **** *Oct. 15, 2019**

(54) **PRISM FOR 360-DEGREE PANORAMIC IMAGE PROJECTION**

(71) Applicant: **Panasonic Intellectual Property Management Co., Ltd.**, Osaka-shi, Osaka (JP)

(72) Inventors: **Minoru Iwasaki**, Tokyo (JP); **Atsushi Noda**, Tokyo (JP)

(73) Assignee: **Panasonic Intellectual Property Management Co., Ltd.**, Osaka (JP)

(*) Notice: This patent is subject to a terminal disclaimer.

(**) Term: **15 Years**

(21) Appl. No.: **29/636,453**

(22) Filed: **Feb. 8, 2018**

(30) **Foreign Application Priority Data**

Aug. 8, 2017 (JP) 2017-017083

(51) **LOC (12) Cl.** **16-06**

(52) **U.S. Cl.**
USPC **D16/137**

(58) **Field of Classification Search**
USPC D16/137, 135, 134, 138, 131, 132, 133, D16/139, 200, 202-205, 218, 219, 235, D16/242; D26/1, 2, 6, 65, 66, 68, 69, 72, D26/74, 76, 86, 87, 88
CPC F41G 1/02; F41G 1/06
See application file for complete search history.

(56) **References Cited**

U.S. PATENT DOCUMENTS

D154,449 S * 7/1949 Williams D15/126
D406,598 S 3/1999 Grijalva
D609,223 S 2/2010 Pantaleone

D620,635 S * 7/2010 Chen D26/124
8,029,163 B2 * 10/2011 Chen F21V 5/04
362/308
D651,228 S * 12/2011 Lai D16/134
D651,630 S 1/2012 Lai et al.
D662,530 S 6/2012 Lai et al.
D662,956 S 7/2012 Lai et al.
D698,070 S * 1/2014 Messisaen D26/74
D753,746 S * 4/2016 Yu D16/134
D759,873 S * 6/2016 Saaranen D26/74
D771,172 S * 11/2016 Huang D16/134
2011/0110098 A1 * 5/2011 Fu F21V 5/04
362/308

(Continued)

Primary Examiner — Mark A Goodwin

Assistant Examiner — Benjamin M Weeks

(74) *Attorney, Agent, or Firm* — Brinks Gilson & Lione

(57) **CLAIM**

We claim the ornamental design for a prism for 360-degree panoramic image projection, as shown and described.

DESCRIPTION

FIG. 1 is a top perspective view showing a prism for 360-degree panoramic image projection of the present invention;

FIG. 2 is a bottom perspective view thereof;

FIG. 3 is a front view thereof;

FIG. 4 is a rear view thereof;

FIG. 5 is a first side view thereof;

FIG. 6 is a second side view thereof;

FIG. 7 is a top view thereof;

FIG. 8 is a bottom view thereof;

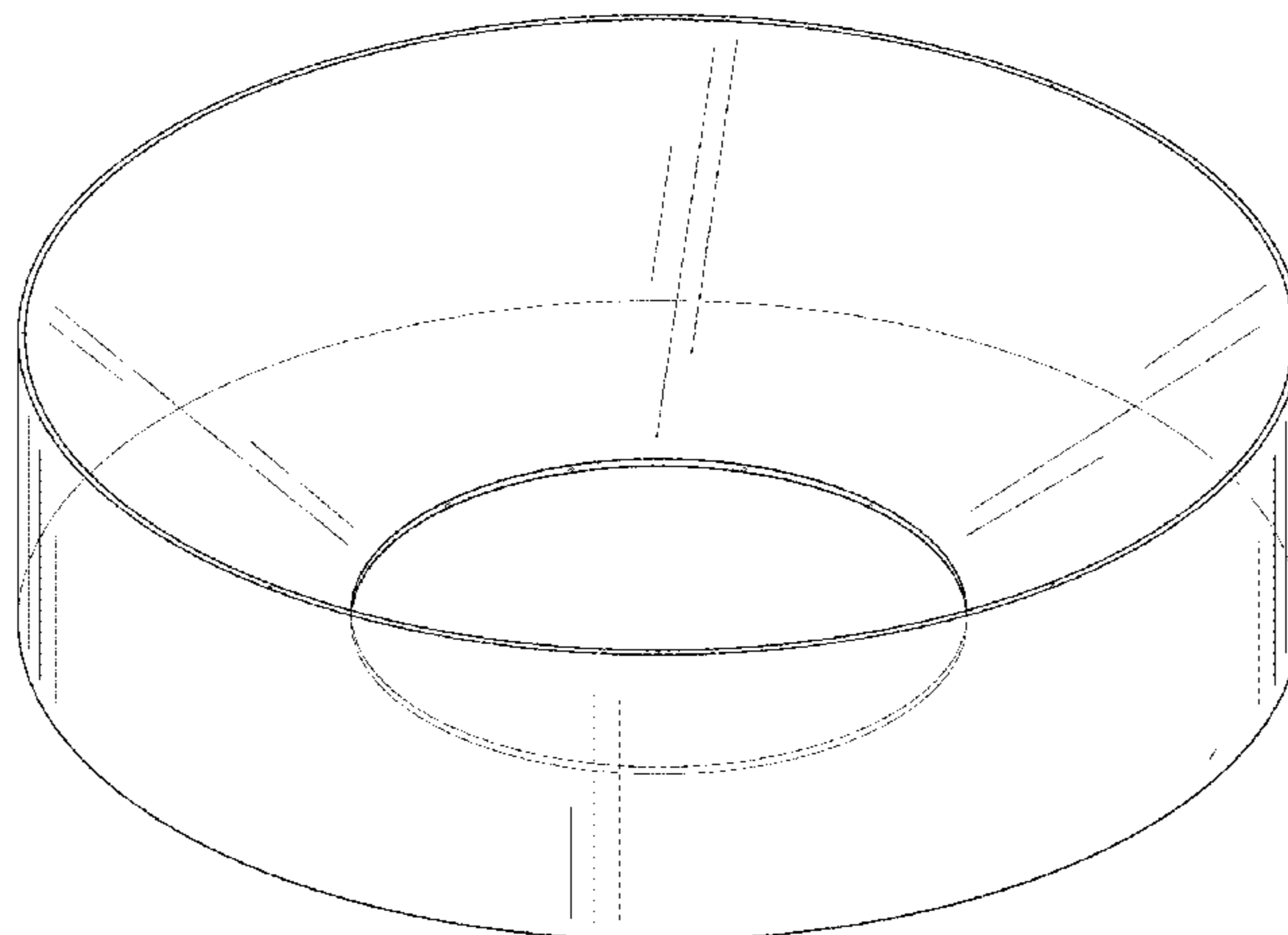
FIG. 9 is a cross-sectional view taken along lines 9-9 in FIG. 3;

FIG. 10 is a cross-sectional view taken along lines 10-10 in FIG. 9; and,

FIG. 11 is a cross-sectional view taken along lines 11-11 in FIG. 9.

The claimed design is directed to a transparent article.

1 Claim, 11 Drawing Sheets



(56)

References Cited

U.S. PATENT DOCUMENTS

2011/0157726 A1* 6/2011 Chen G02B 3/08
359/742
2012/0262921 A1* 10/2012 Boomgaarden F21S 8/026
362/249.02
2014/0191129 A1* 7/2014 Jang G01J 5/0022
250/338.3

* cited by examiner

FIG. 1

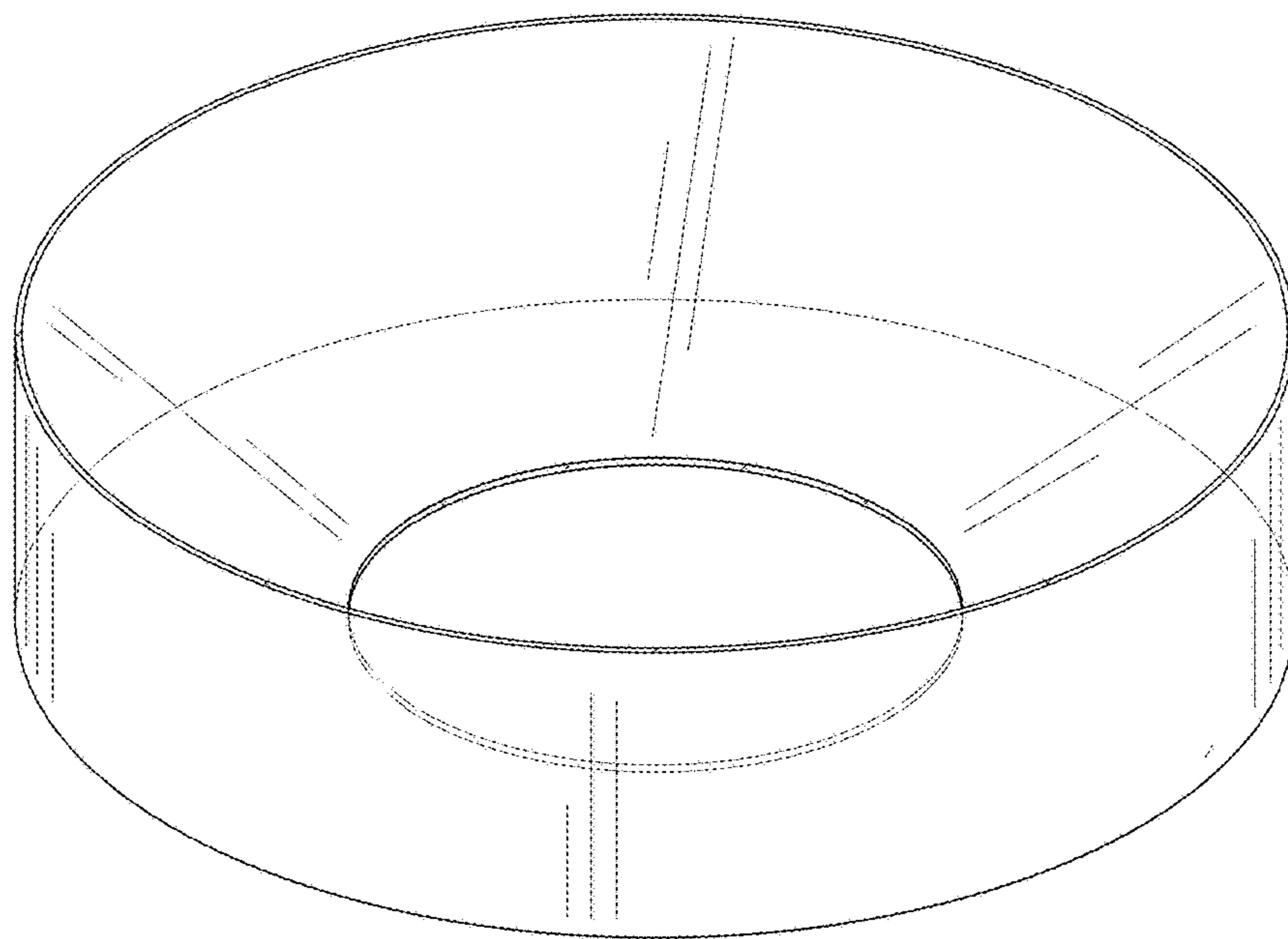


FIG. 2

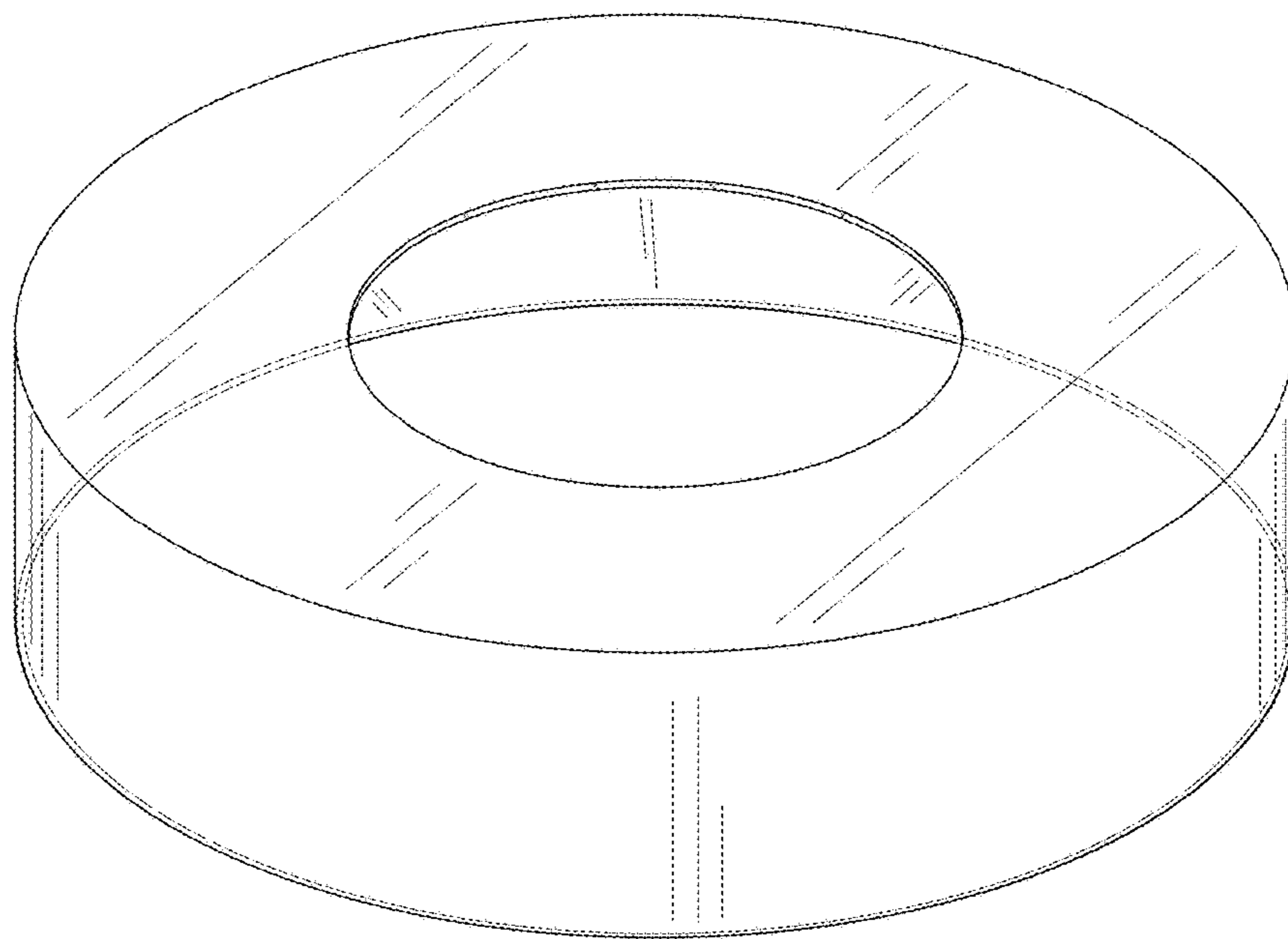


FIG. 3

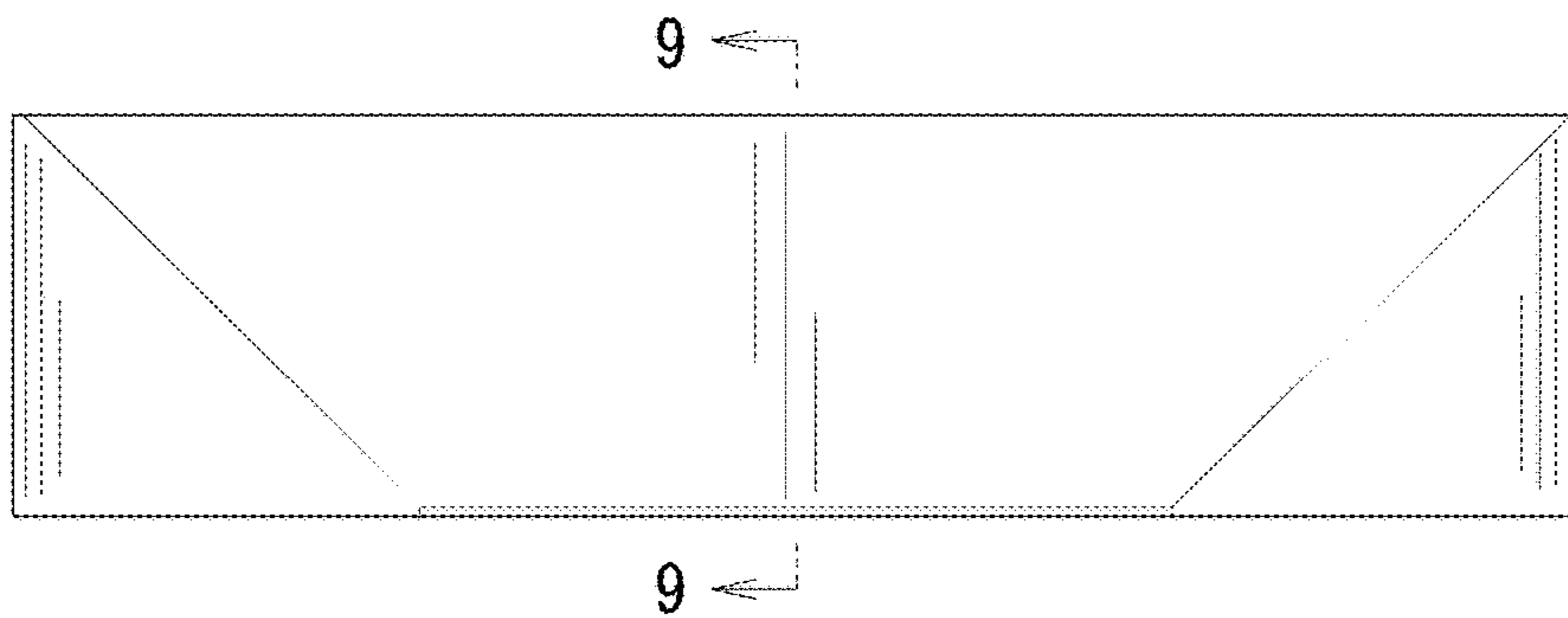


FIG. 4

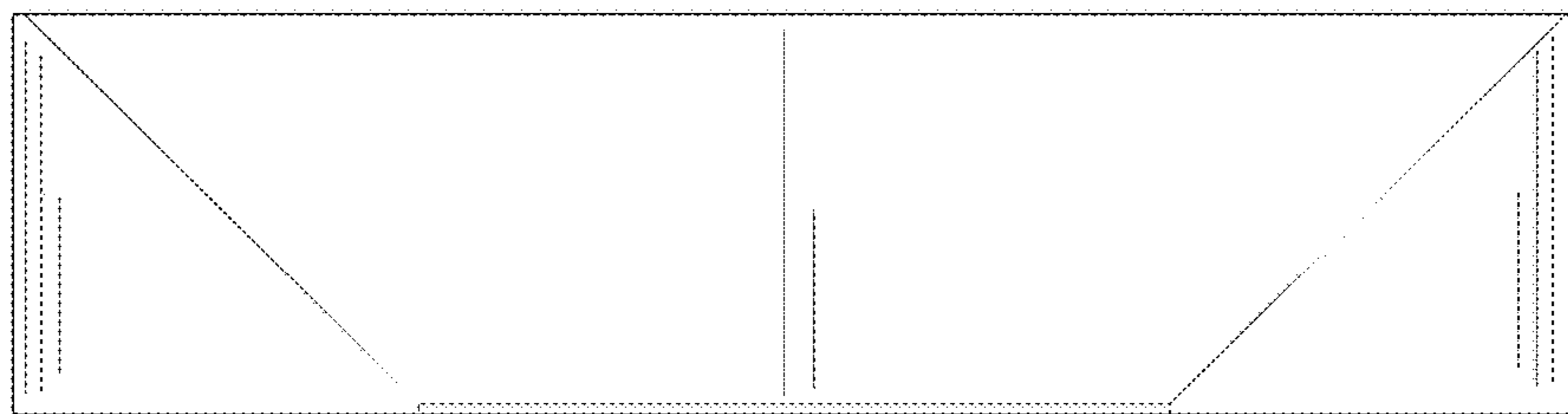


FIG. 5

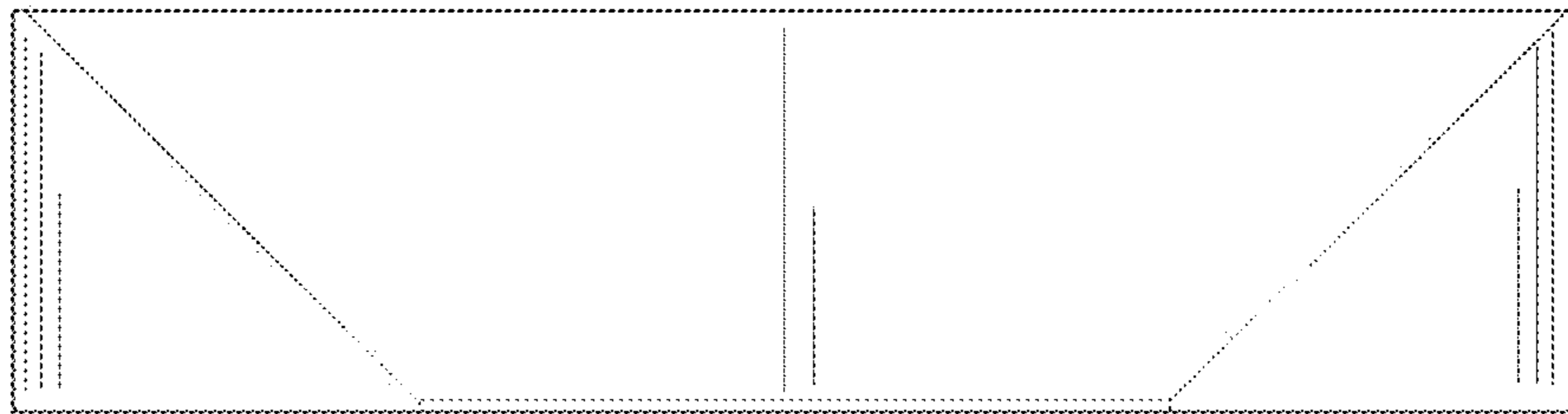


FIG. 6

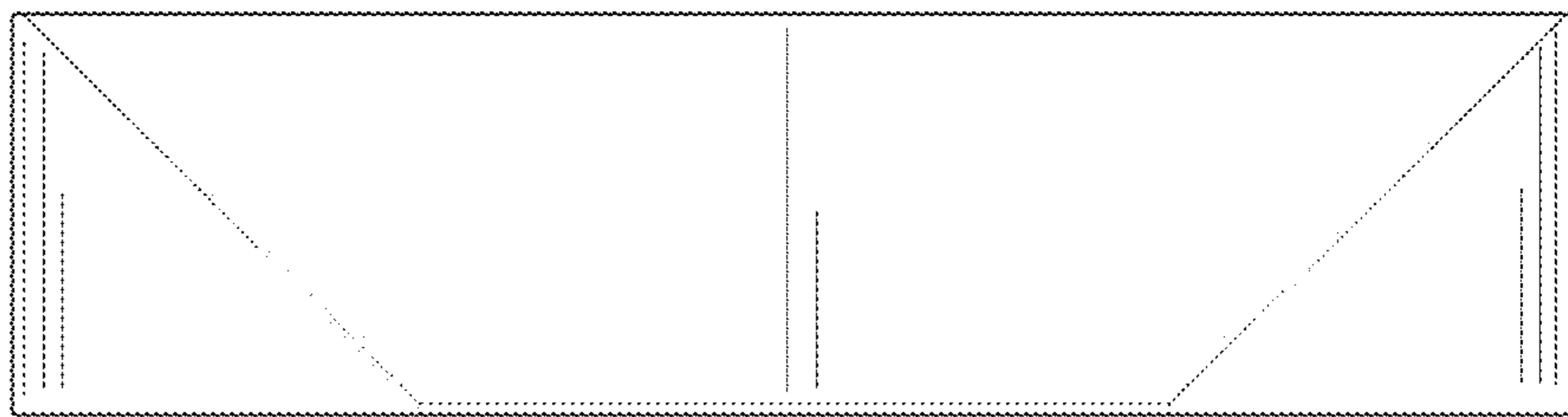


FIG. 7

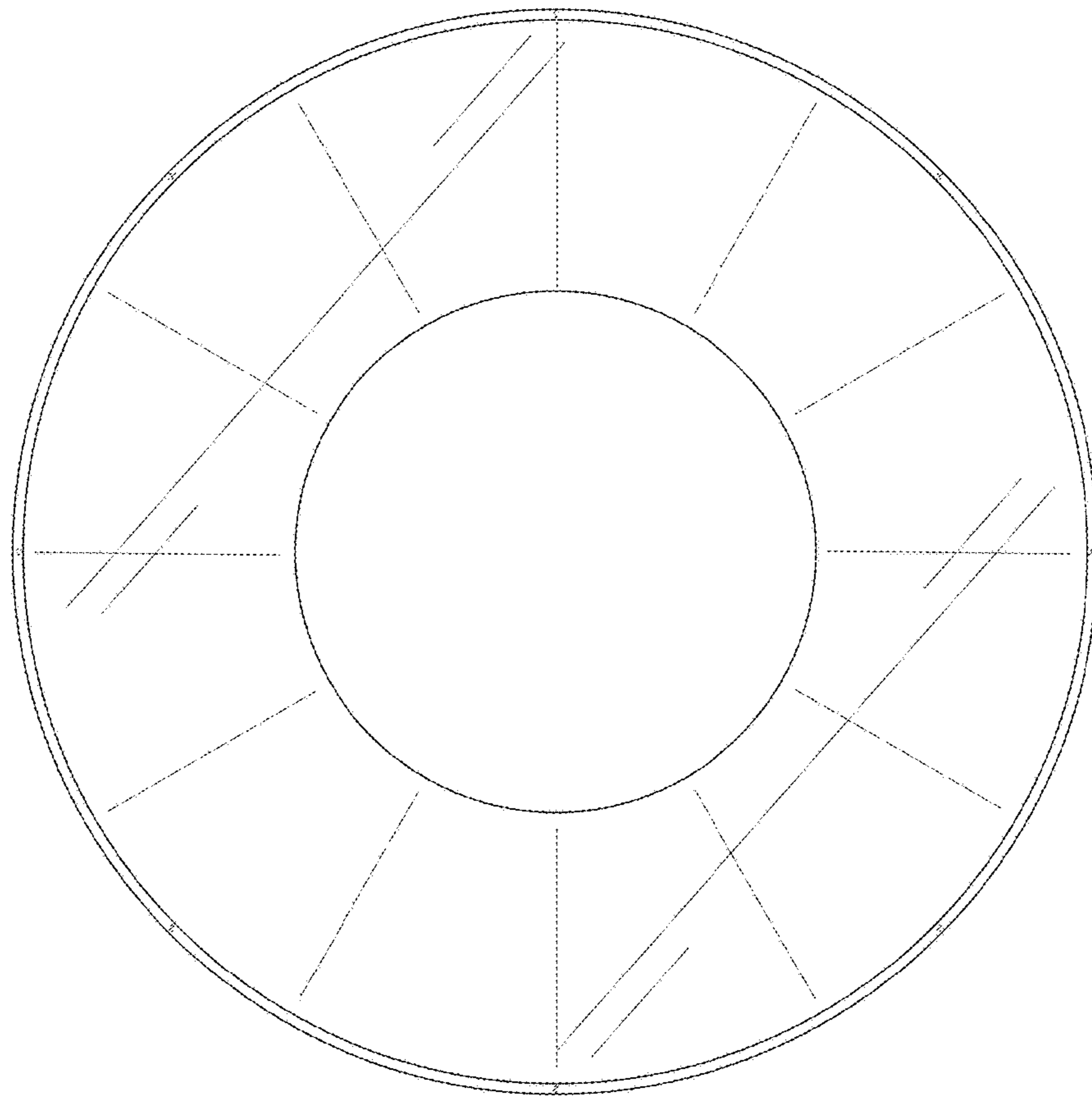


FIG. 8

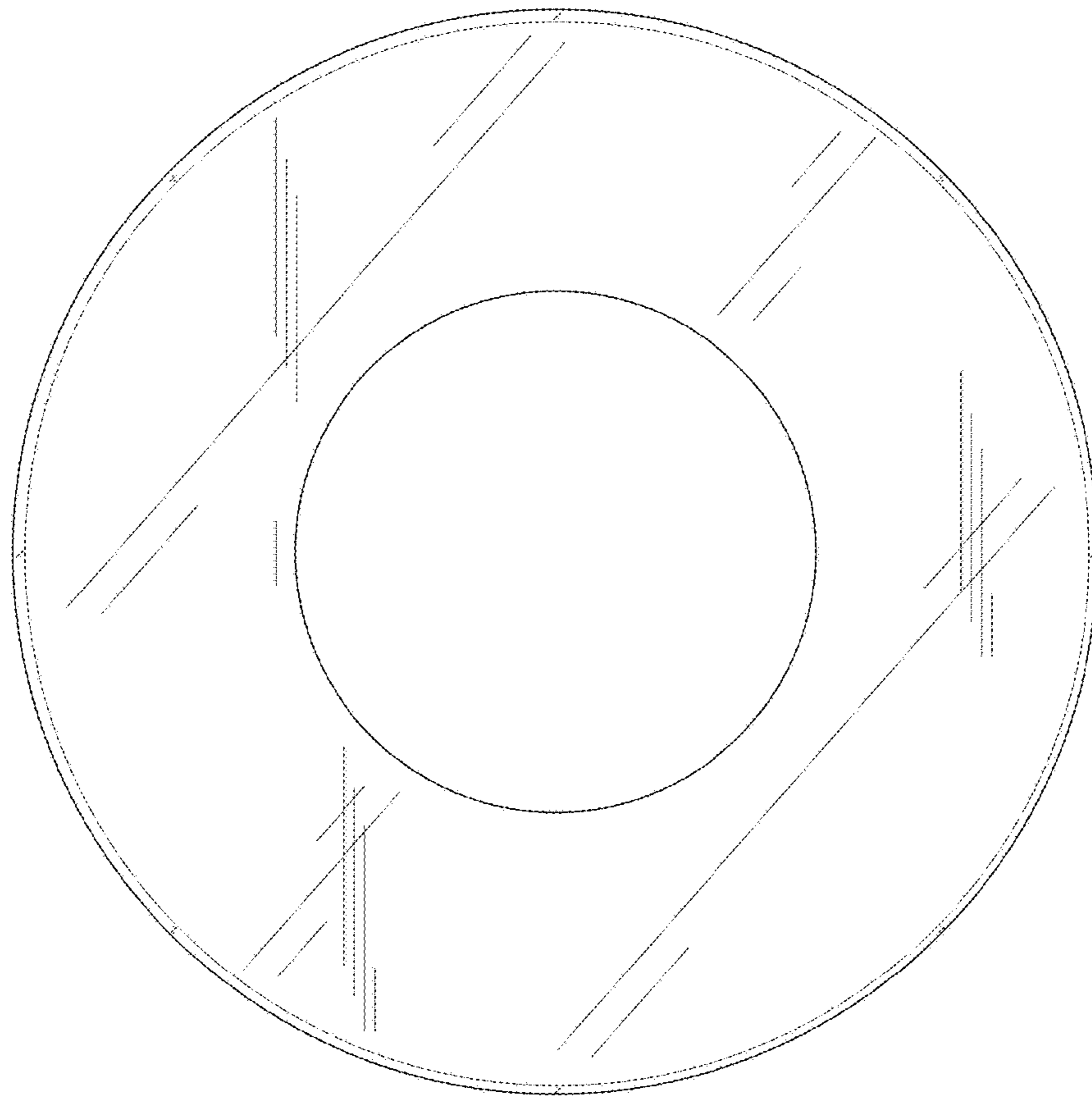


FIG. 9

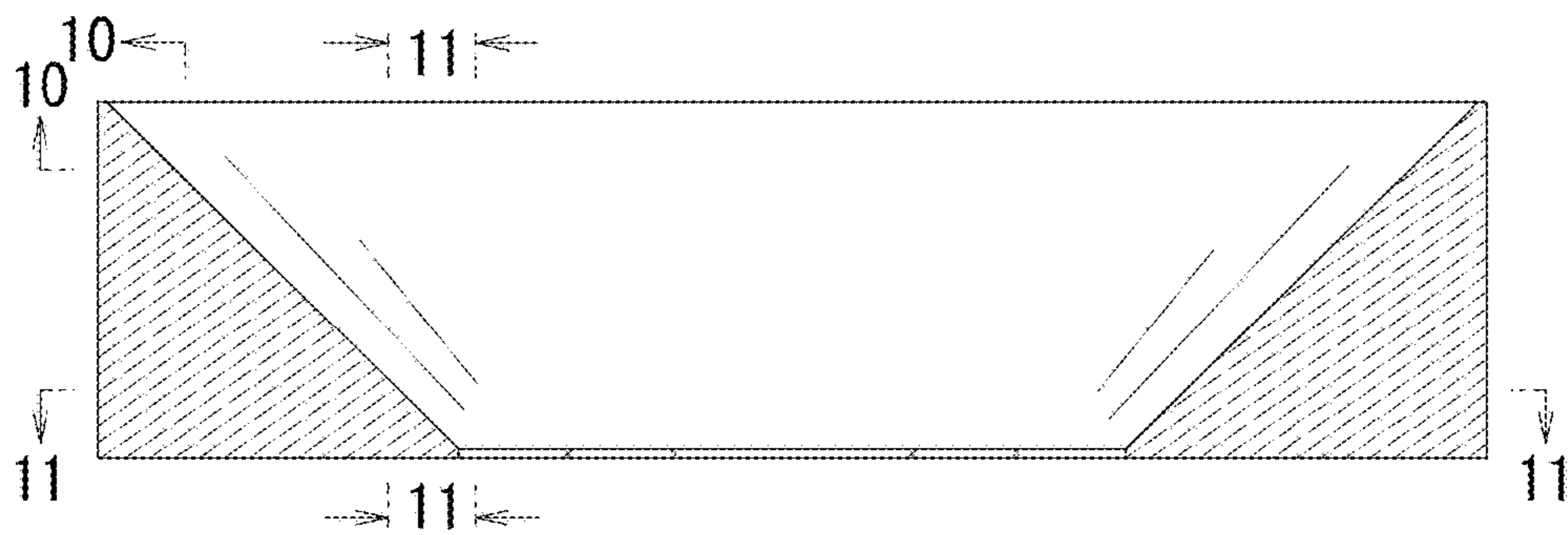


FIG. 10

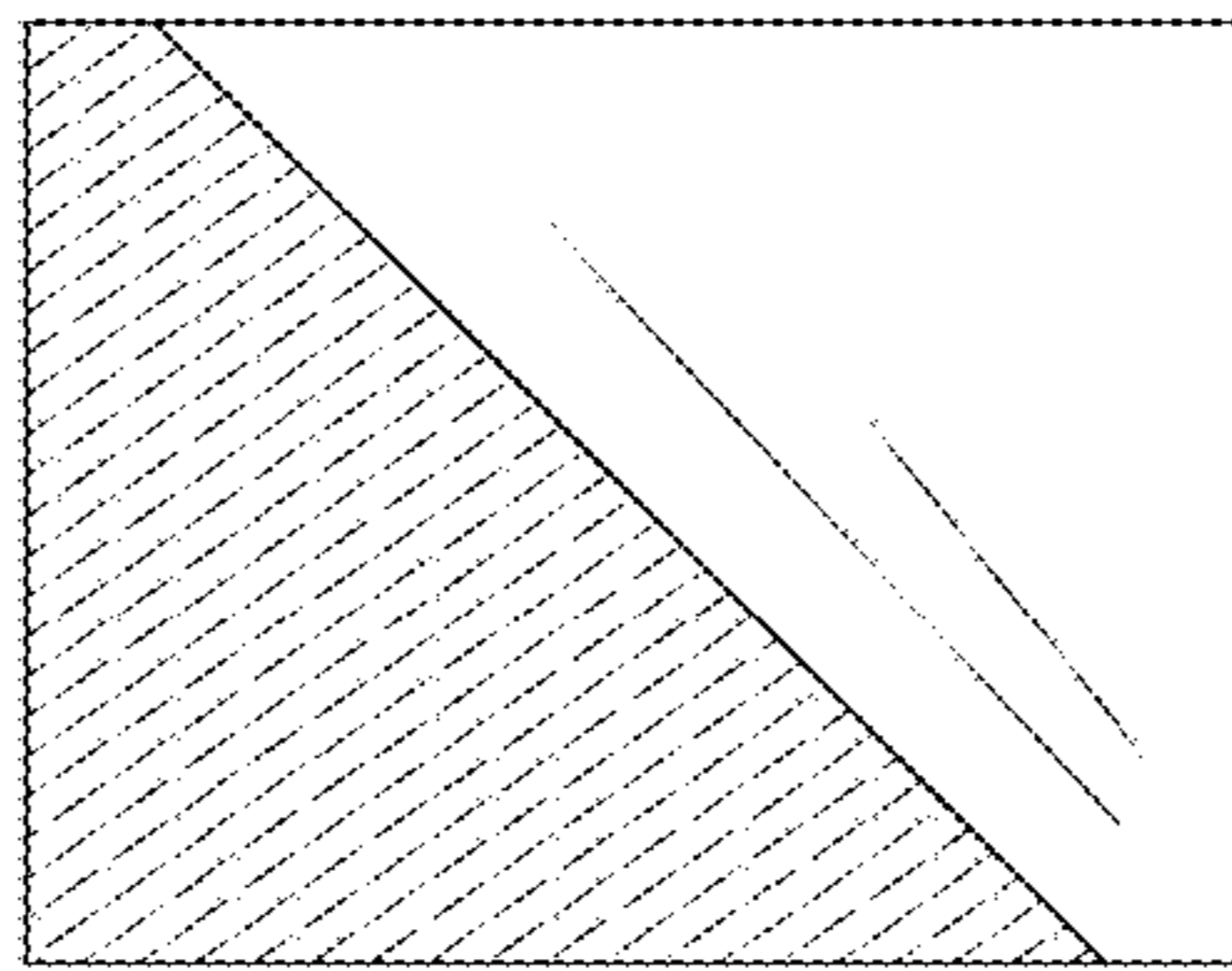


FIG. 11

