



US00D863391S

(12) **United States Design Patent**
Apothéloz

(10) **Patent No.:** **US D863,391 S**
(45) **Date of Patent:** **** Oct. 15, 2019**

- (54) **MICROSCOPE**
- (71) Applicant: **Leica Microsystems CMS GmbH,**
Wetzlar (DE)
- (72) Inventor: **Christophe Apothéloz,** Zurich (CH)
- (73) Assignee: **Leica Microsystems CMS GmbH,**
Wetzlar (DE)
- (**) Term: **15 Years**
- (21) Appl. No.: **29/654,953**
- (22) Filed: **Jun. 28, 2018**

Related U.S. Application Data

- (62) Division of application No. 29/517,871, filed on Feb. 18, 2015, now Pat. No. Des. 824,445.

Foreign Application Priority Data

- Aug. 19, 2014 (EM) 002521880
- Feb. 11, 2015 (EM) 002630954

- (51) **LOC (12) Cl.** **16-06**

- (52) **U.S. Cl.**
USPC **D16/131**

- (58) **Field of Classification Search**
USPC D16/130-136; D22/100, 108, 109, 110,
D22/199
CPC F41G 3/08; G02B 21/004; G02B 21/008
See application file for complete search history.

(56) **References Cited**

U.S. PATENT DOCUMENTS

- D203,705 S 2/1966 Armbruster
- 4,210,384 A 7/1980 Meyer et al.
- D257,357 S 10/1980 Armbruster
- D260,402 S 8/1981 Hodgson
- 4,299,440 A 11/1981 Hodgson

- D276,351 S 11/1984 Janke et al.
- 4,573,772 A 3/1986 Endo et al.
- 4,621,531 A 11/1986 Nakamura et al.
- 4,729,646 A 3/1988 Clark et al.
- 4,749,270 A 6/1988 Endo et al.
- 4,920,053 A 4/1990 Inoue et al.
- D308,879 S 6/1990 Hoogesteger
- 5,138,486 A 8/1992 Meyer et al.
- 5,235,459 A 8/1993 Meyer et al.
- D345,747 S 4/1994 Hölbl
- D345,749 S 4/1994 Hofmann-Igl
- D354,299 S 1/1995 Hofmann-Igl
- D356,804 S 3/1995 Hofmann-Igl
- 6,137,628 A 10/2000 Kraft et al.
- 6,160,662 A 12/2000 Uchida et al.
- 6,208,462 B1 3/2001 Yonetani
- 6,239,905 B1 5/2001 Toyoda et al.
- 6,268,959 B1 7/2001 Kawahito
- D460,772 S 7/2002 Apothéloz
- D465,799 S 11/2002 Asaka et al.

(Continued)

Primary Examiner — Mark A Goodwin

Assistant Examiner — Benjamin M Weeks

(74) *Attorney, Agent, or Firm* — Crowell & Moring LLP

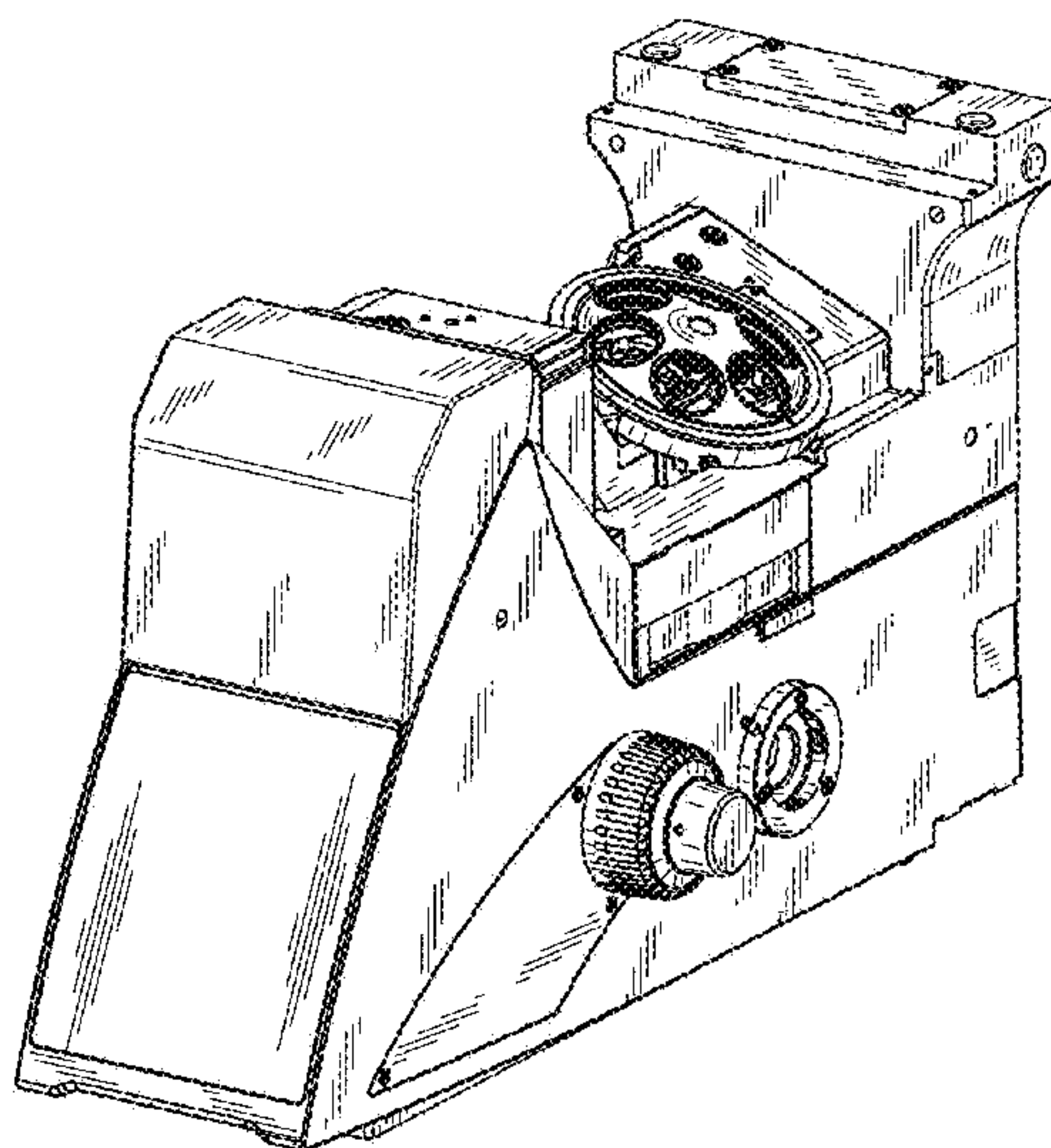
(57) **CLAIM**

The ornamental design for a microscope, as shown and described.

DESCRIPTION

FIG. 1 is a top, right perspective view of a microscope according to the design;
 FIG. 2 is a front view thereof;
 FIG. 3 is a rear view thereof;
 FIG. 4 is a left side view thereof;
 FIG. 5 is a right side view thereof;
 FIG. 6 is a top view thereof; and,
 FIG. 7 is a bottom view thereof.
 The broken lines depict parts of the microscope that form no part of the claimed design.

1 Claim, 7 Drawing Sheets



(56)

References Cited

U.S. PATENT DOCUMENTS

6,785,045 B2	8/2004	Utsugi				
D507,006 S	7/2005	Apothéloz et al.				
D518,841 S	4/2006	Apothéloz et al.				
7,151,634 B2	12/2006	Hoyer				
7,233,436 B2	6/2007	Woditschka				
D577,047 S	9/2008	Apothéloz				
7,505,199 B2	3/2009	Ito				
D639,324 S	6/2011	Stohr et al.				
8,228,600 B2	7/2012	Euteneuer et al.				
D690,342 S	9/2013	Funakoshi et al.				
8,537,462 B2	9/2013	Seifert et al.				
8,559,119 B2	10/2013	Seifert				
8,867,127 B2	10/2014	Seifert				
D734,796 S	7/2015	Hofmann et al.				
D734,797 S	7/2015	Hofmann et al.				
D734,798 S	7/2015	Hofmann et al.				
D737,354 S	8/2015	Hofmann et al.				
D748,268 S	1/2016	Billard et al.				
D771,169 S	* 11/2016	Weber	D16/131			
						* cited by examiner
				D784,433 S	* 4/2017	Weber D16/131
				D799,576 S	* 10/2017	Apotheloz D16/131
				D812,665 S	* 3/2018	Klein D16/131
				D824,445 S	* 7/2018	Apotheloz D16/131
				2002/0041438 A1	4/2002	Takahama et al.
				2002/0131165 A1	9/2002	Takahama
				2002/0171925 A1	11/2002	Tonooka et al.
				2003/0090789 A1	5/2003	Herz et al.
				2003/0165010 A1	9/2003	Sukekawa et al.
				2004/0004758 A1	1/2004	Dietzsch et al.
				2004/0027683 A1	2/2004	Dietzsch et al.
				2005/0099679 A1	5/2005	Kleinteich et al.
				2006/0012858 A1	1/2006	Bender
				2007/0201129 A1	8/2007	Jagemann et al.
				2009/0195867 A1	8/2009	Euteneuer et al.
				2013/0003171 A1	1/2013	Dietzsch et al.
				2013/0077158 A1	3/2013	Matsumoto et al.
				2013/0335820 A1	12/2013	Matsumoto et al.
				2014/0118820 A1	5/2014	Kaneki et al.
				2015/0331227 A1	11/2015	Qian et al.
				2016/0187635 A1	6/2016	Arashi et al.

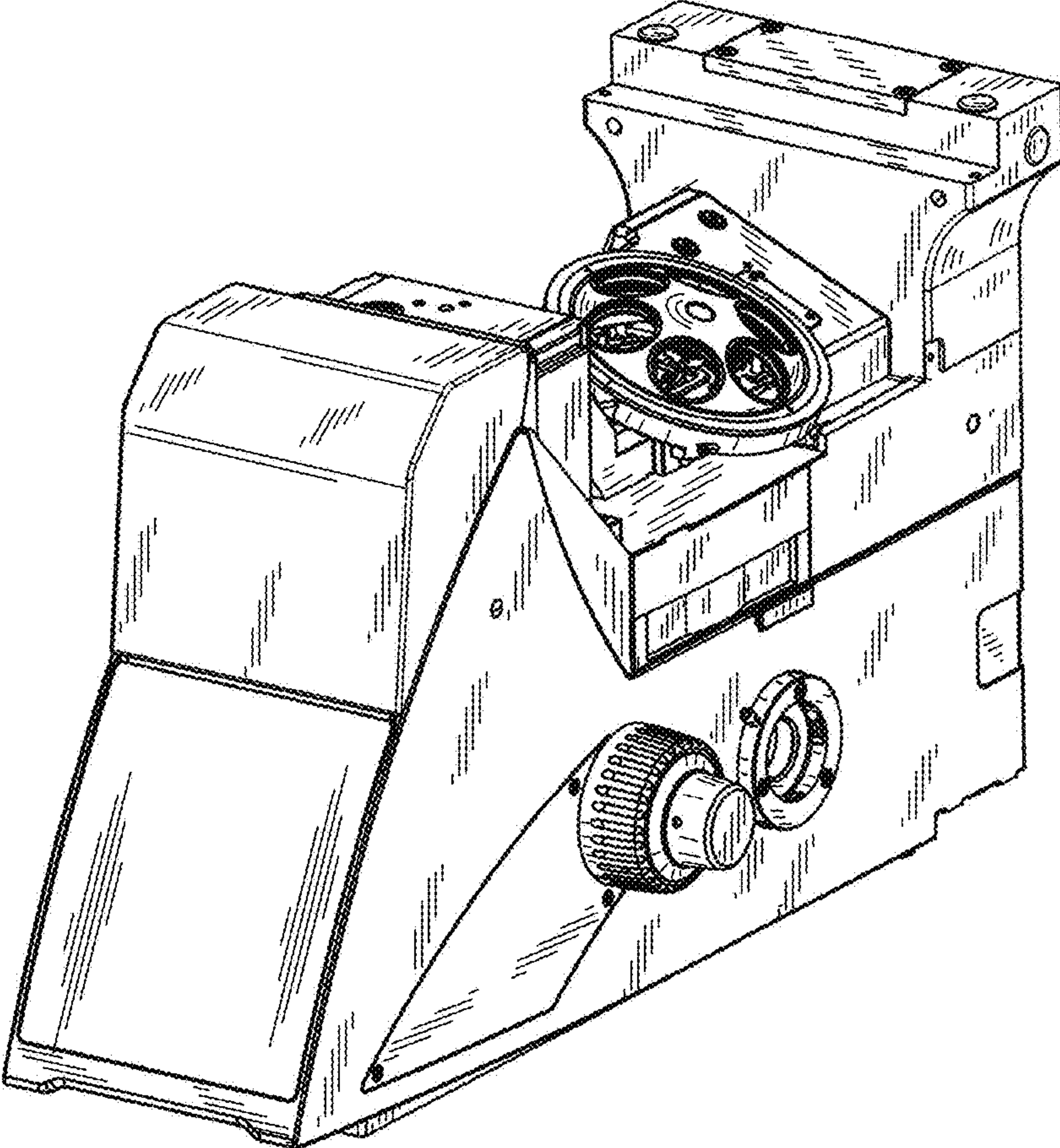


FIG. 1

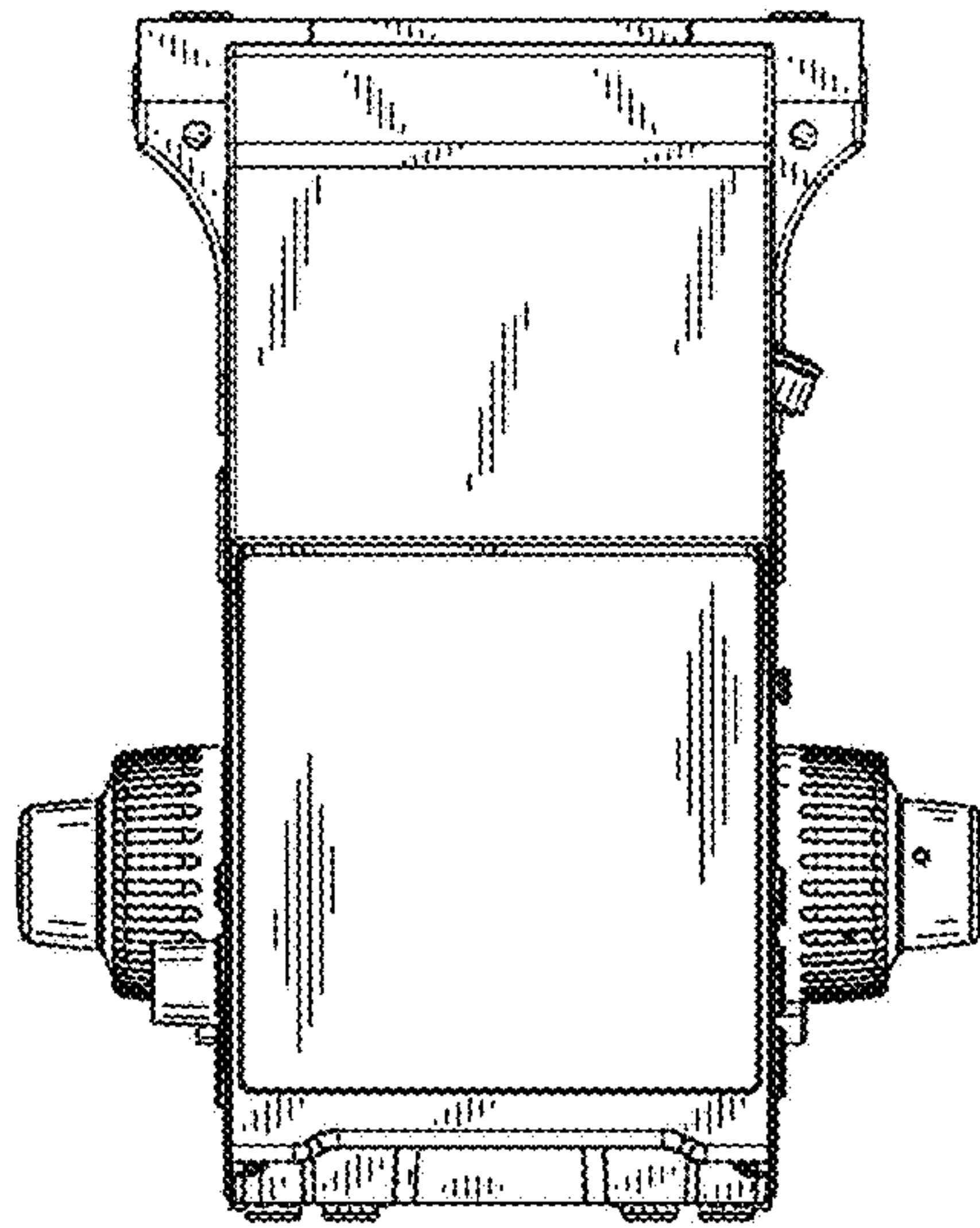


FIG. 2

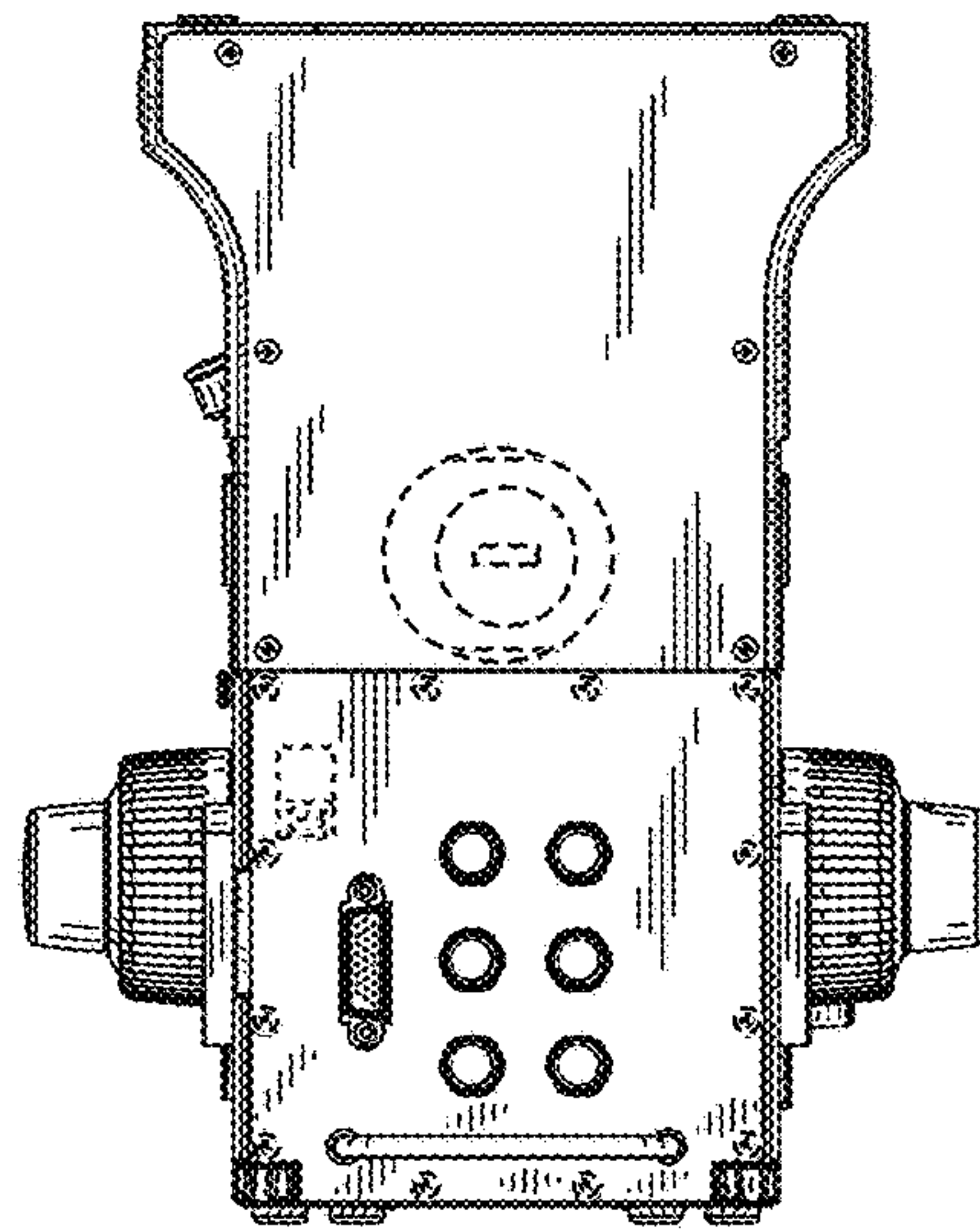


FIG. 3

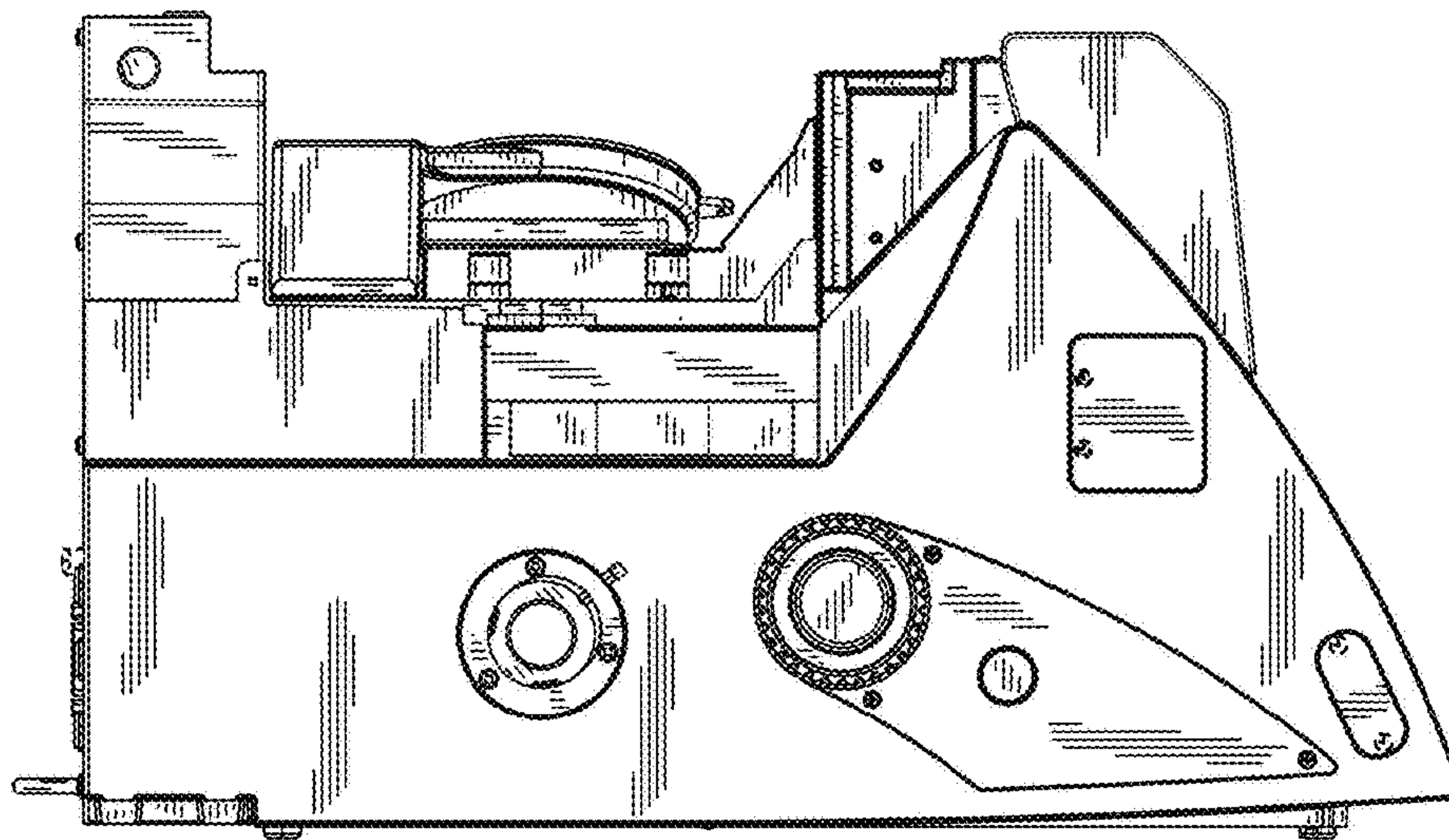


FIG. 4

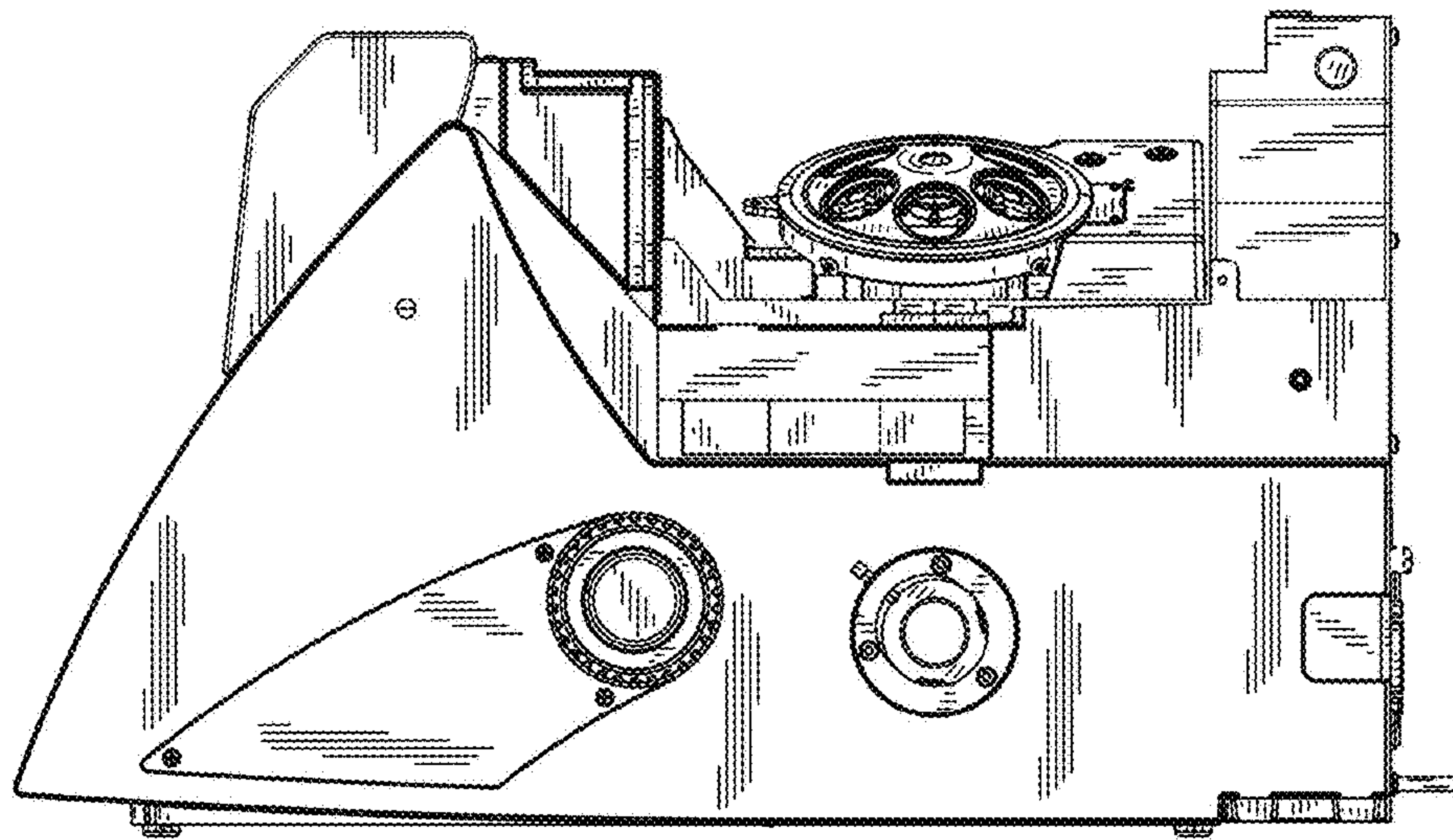


FIG. 5

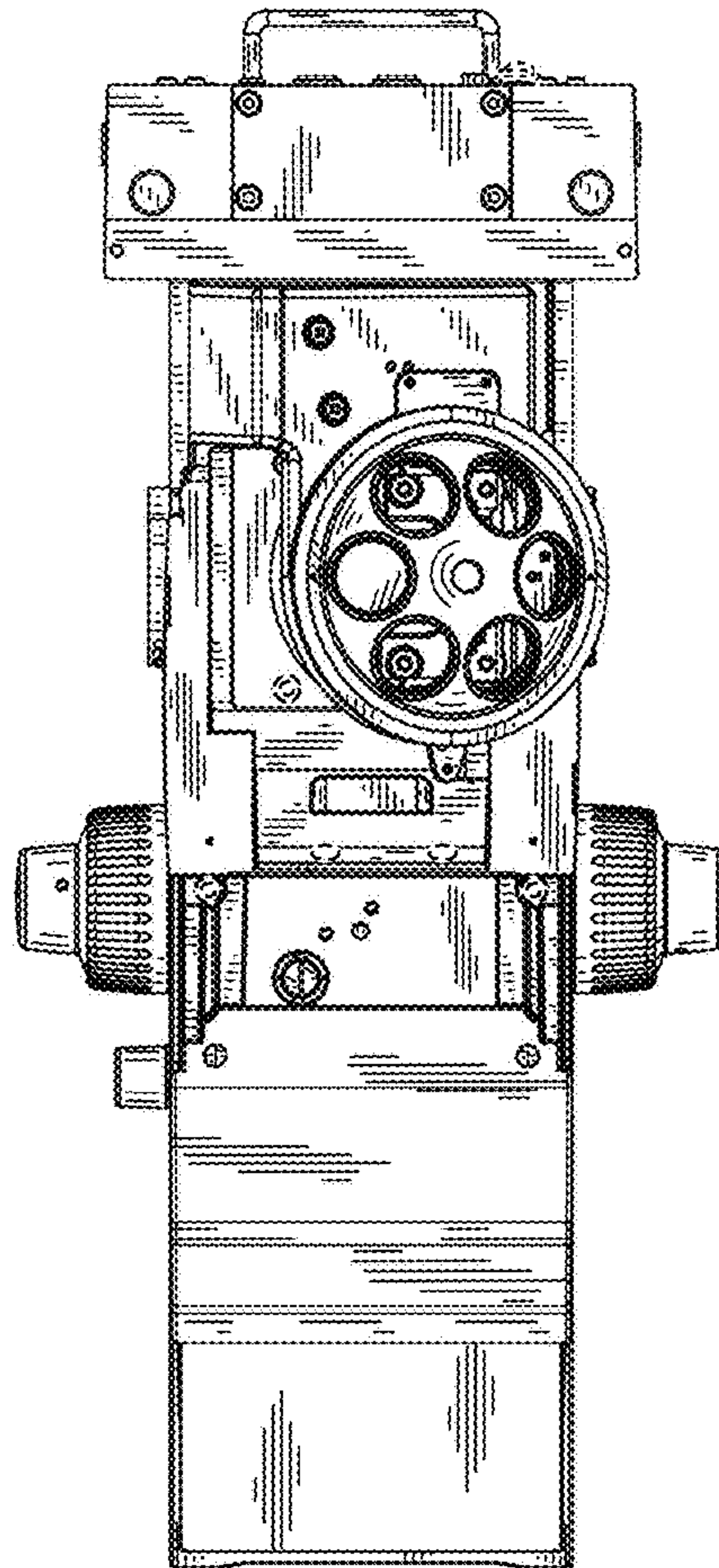


FIG. 6

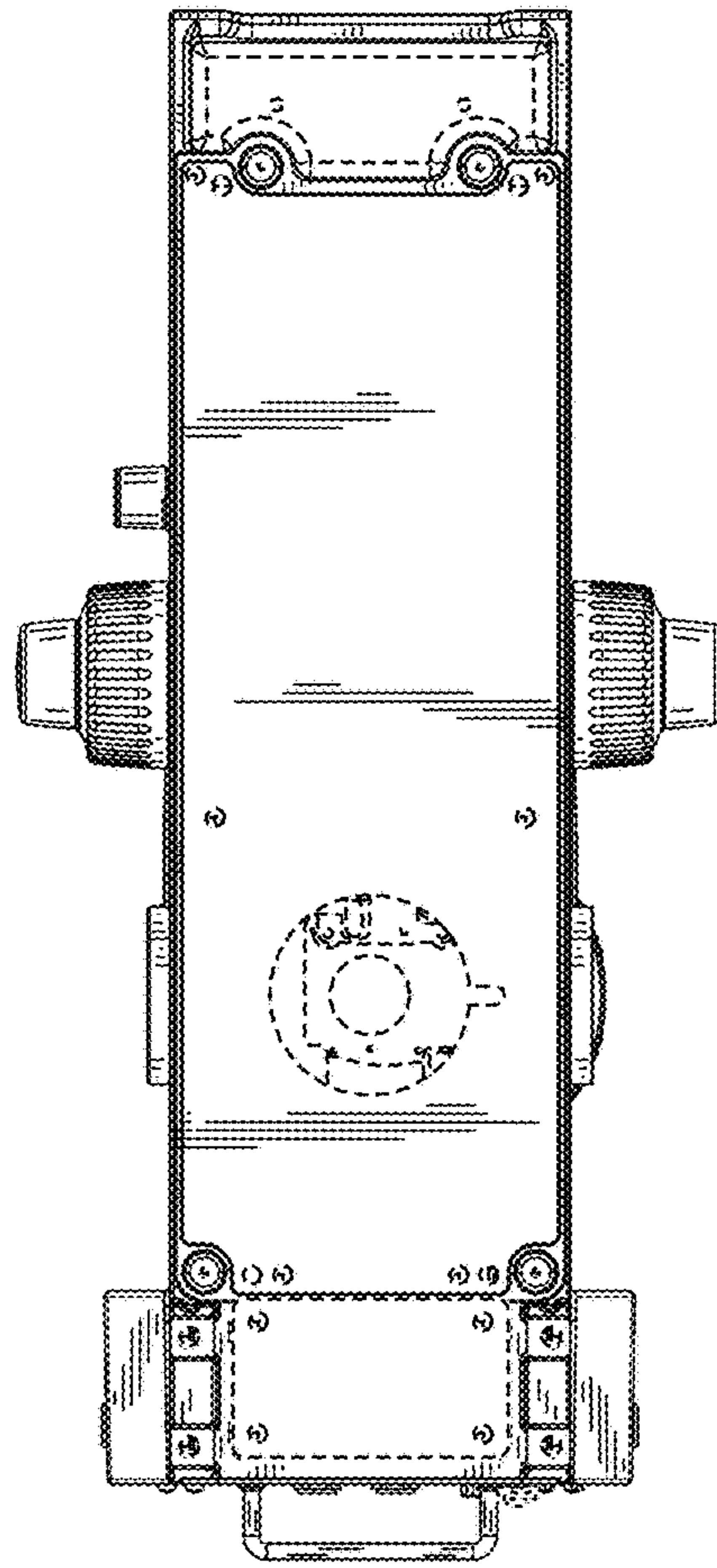


FIG. 7