



US00D863389S

(12) **United States Design Patent**
Kwak et al.

(10) **Patent No.:** **US D863,389 S**
(45) **Date of Patent:** **** Oct. 15, 2019**

(54) **PORTABLE DOT PEEN MARKING MACHINE**

(71) Applicant: **RED TECHNOLOGY CO., LTD.**,
Daejeon (KR)

(72) Inventors: **Seung Won Kwak**, Daejeon (KR); **In Sik Oh**, Daejeon (KR); **Jeong Wook Choi**, Daejeon (KR); **Il Ho Kim**, Daejeon (KR); **Mi Ri Kwak**, Daejeon (KR); **Tae Ri Kang**, Daejeon (KR); **Dan Bi Kim**, Daejeon (KR)

(**) Term: **15 Years**

(21) Appl. No.: **35/505,007**

(22) Filed: **Nov. 28, 2017**

(80) **Hague Agreement Data**

Int. Filing Date: **Nov. 28, 2017**

Int. Reg. No.: **DM/099858**

Int. Reg. Date: **Nov. 28, 2017**

Int. Reg. Pub. Date: **Jun. 1, 2018**

(51) **LOC (12) Cl.** **15-09**

(52) **U.S. Cl.**

USPC **D15/199**

CPC **G01B 5/008** (2013.01)

(58) **Field of Classification Search**

USPC D15/128, 135, 136, 137; 33/18.1, 1 M

CPC G01B 5/008; G01B 21/047; B44B 3/063;

B44B 3/009

See application file for complete search history.

(56) **References Cited**

U.S. PATENT DOCUMENTS

5,042,155 A * 8/1991 Yoshioka G06K 15/22
33/18.1

5,285,579 A * 2/1994 Armando G05B 19/4097
33/1 M

5,311,667 A * 5/1994 Jambor B44B 3/009
33/18.1

5,368,400 A * 11/1994 Cyphert B44B 5/0019
101/28
5,785,436 A * 7/1998 Harrison B44B 5/024
101/3.1
6,099,177 A * 8/2000 Ito B44B 5/0019
101/3.1
6,135,022 A * 10/2000 Troester B41J 2/22
101/18
6,212,784 B1 * 4/2001 Pittman B43L 13/00
33/1 M
6,460,257 B1 * 10/2002 Shimotoyodome ... C03B 33/027
33/18.1
6,826,840 B1 * 12/2004 Lindsey H01L 21/67092
33/18.1
7,191,529 B2 * 3/2007 Phipps B44B 3/009
101/3.1
7,357,013 B2 * 4/2008 Frohlich B21C 51/005
400/124.01
8,336,214 B2 * 12/2012 Kawaguchi B44B 3/009
112/2
8,539,683 B2 * 9/2013 Kuno B44B 3/063
101/3.1
D746,345 S * 12/2015 Kida D15/135

(Continued)

Primary Examiner — Richard E Chilcot

(57) **CLAIM**

The ornamental design for a portable dot peen marking machine, as shown and described.

DESCRIPTION

fig 1.1 is a perspective view of the design;

fig 1.2 is a front view;

fig 1.3 is a back view;

fig 1.4 is a left side view;

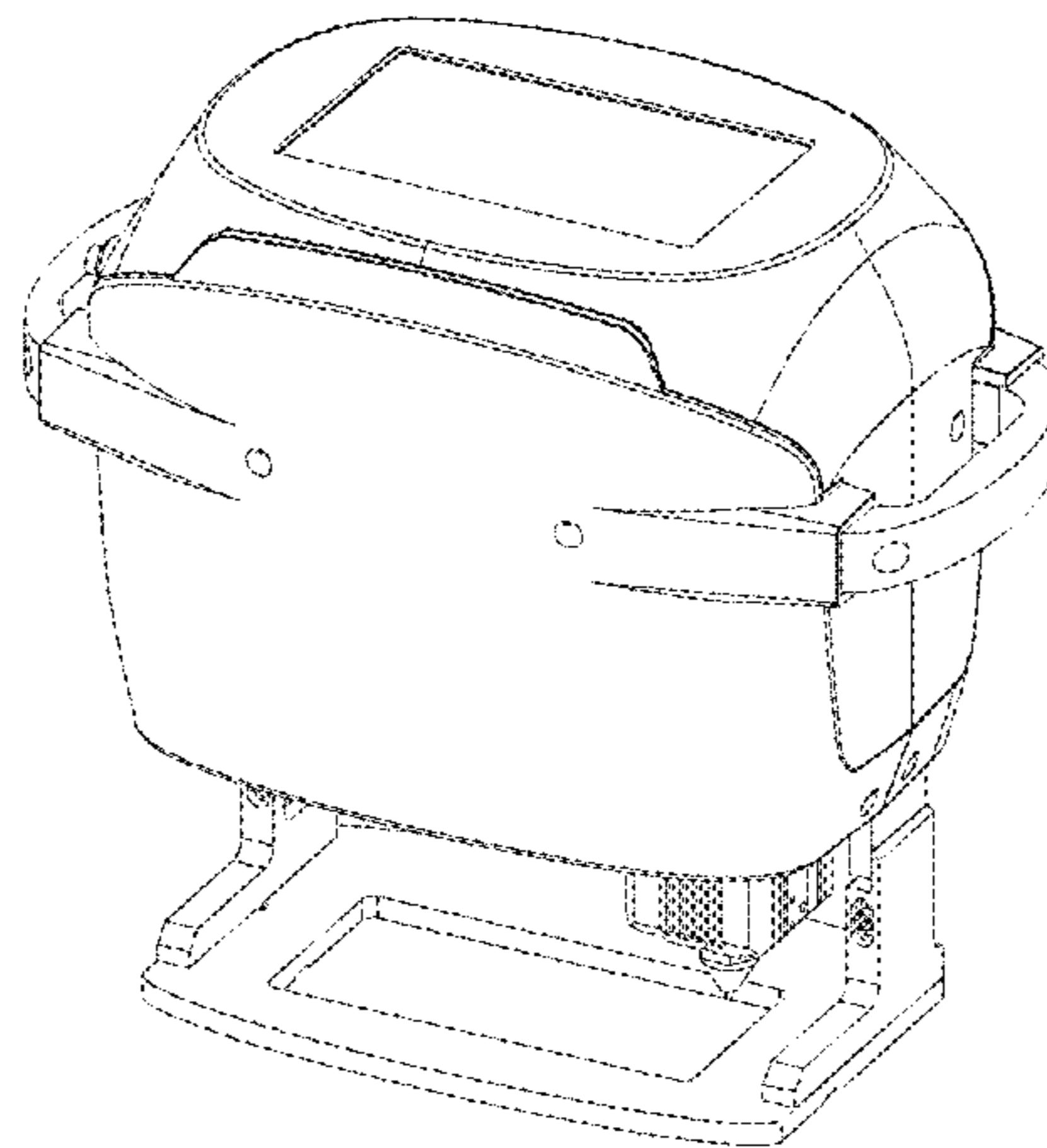
fig 1.5 is a right side view;

fig 1.6 is a top view; and

fig 1.7 is a bottom view.

The design for a portable dot peen marking machine is for marking serial numbers, images, etc., into iron plates and metal pipes etc.; the handles on both sides of the body provide for maximization of usability of the upper touch display device.

1 Claim, 7 Drawing Sheets



(56)

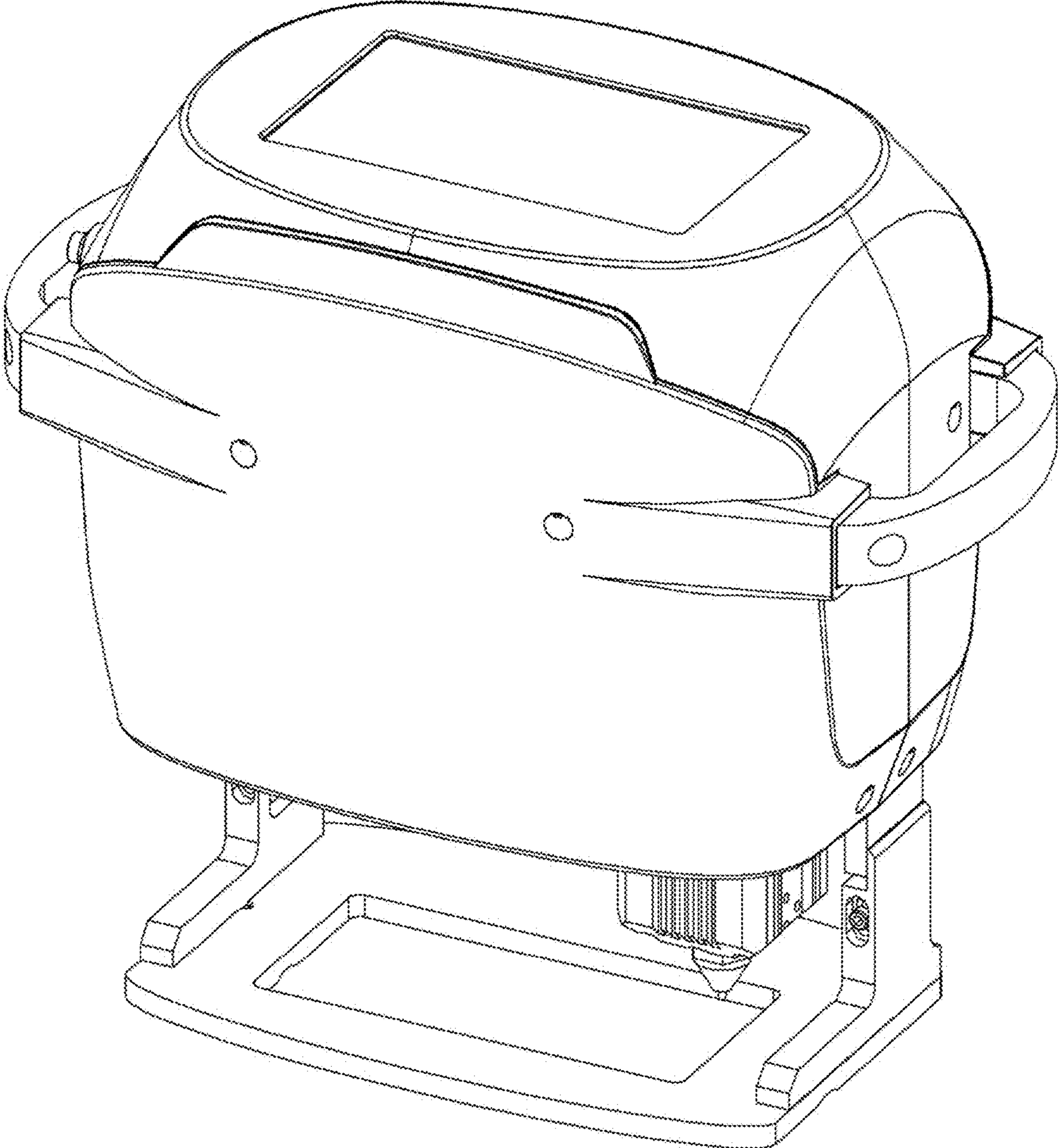
References Cited

U.S. PATENT DOCUMENTS

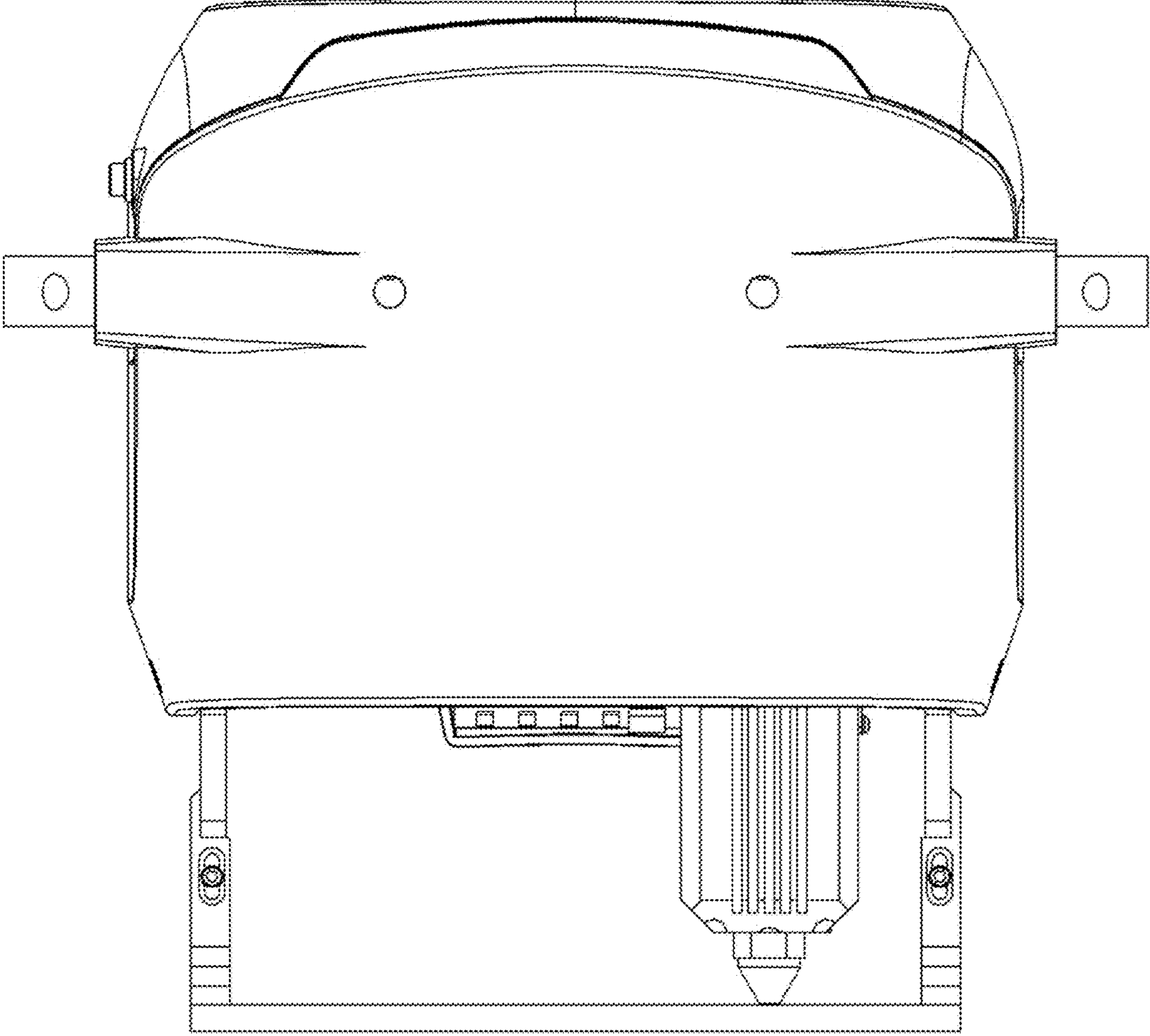
10,095,091 B2 * 10/2018 Costa H04N 5/23209
2003/0227494 A1 * 12/2003 Therond B44B 3/063
346/141
2005/0086816 A1 * 4/2005 Siegel B21C 51/005
33/18.1
2008/0295349 A1 * 12/2008 Uhl G01B 5/008
33/503

* cited by examiner

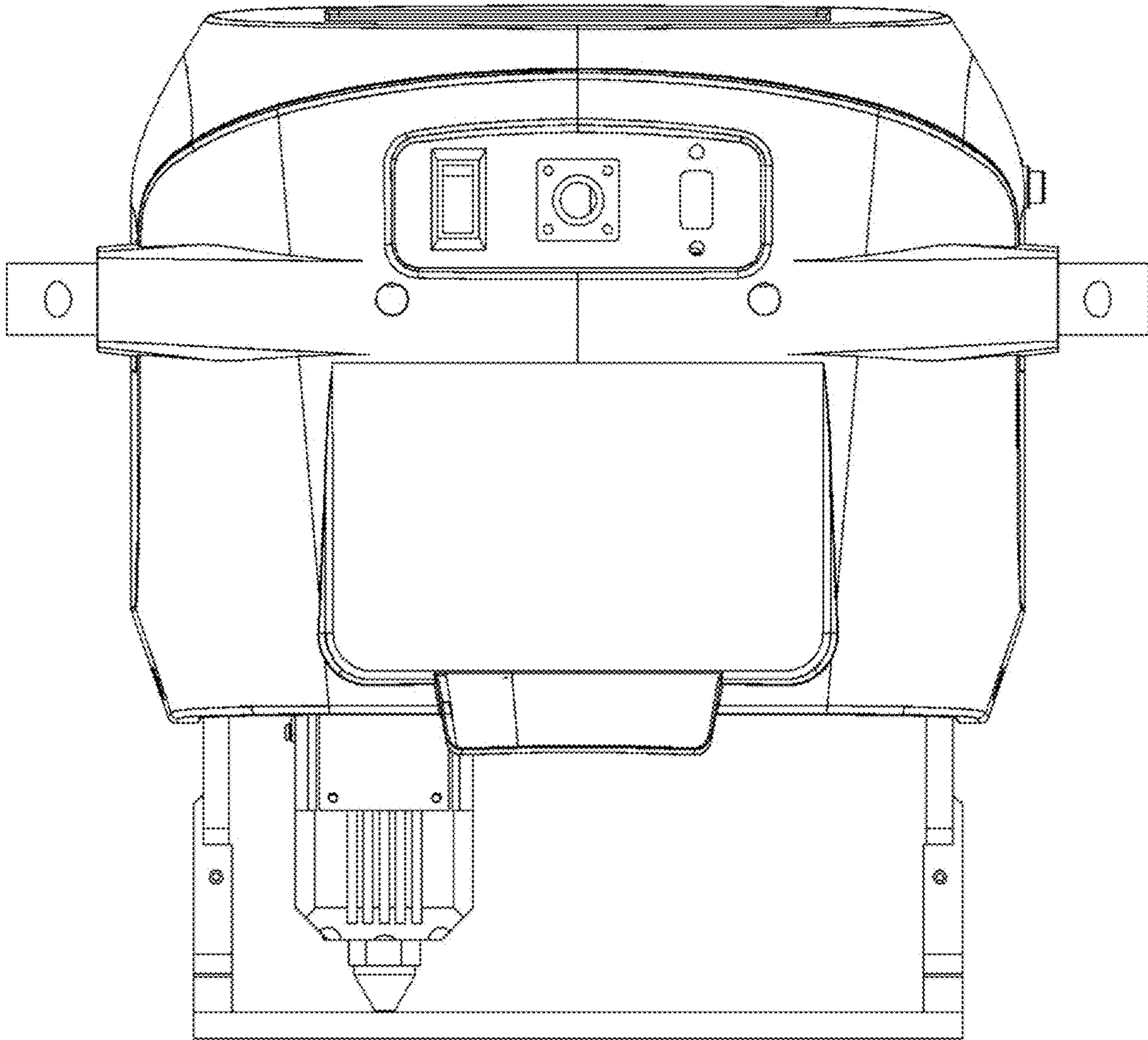
1.1



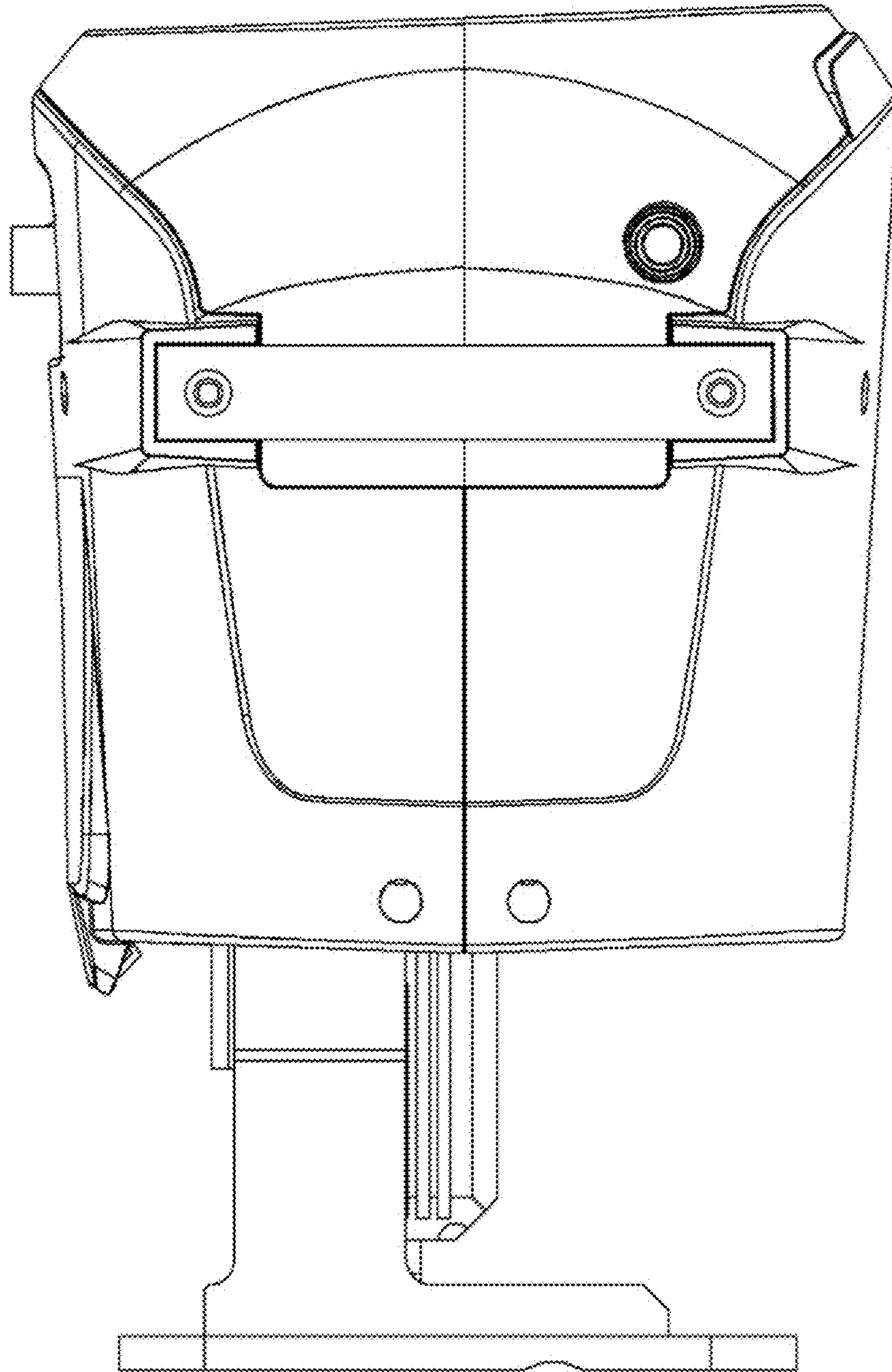
1.2



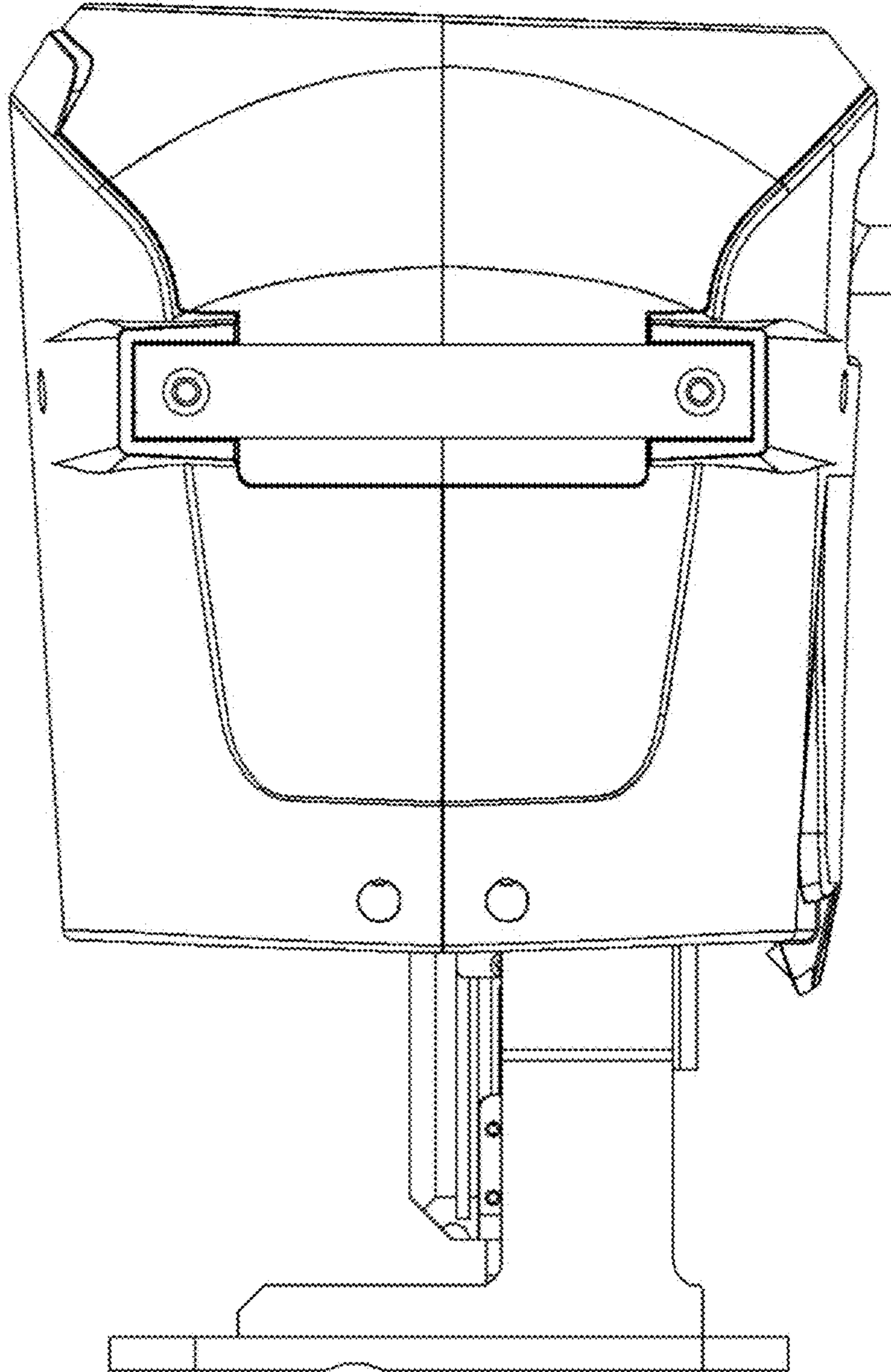
1.3



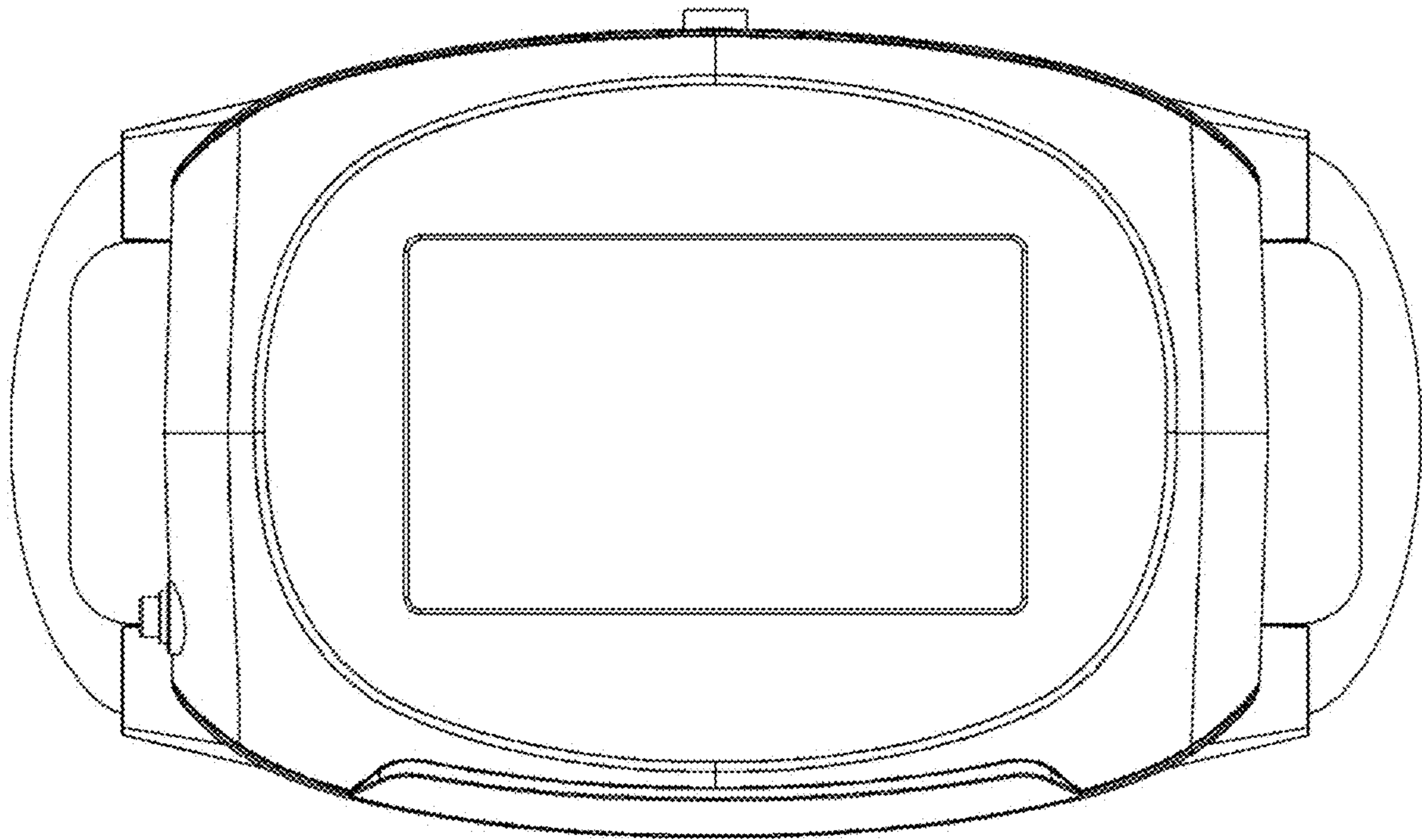
1.4



1.5



1.6



1.7

