



US00D863387S

(12) **United States Design Patent** (10) **Patent No.:** **US D863,387 S**
Wang (45) **Date of Patent:** **** Oct. 15, 2019**

(54) **ROBOT**

(71) Applicants: **Beijing JingDong ShangKe Information Technology Co, Ltd**, Beijing (CN); **Beijing Jingdong Century Trading Co., Ltd.**, Beijing (CN)

(72) Inventor: **Meng Wang**, Beijing (CN)

(73) Assignees: **Beijing JingDong ShangKe Information Technology Co, Ltd** (CN); **Beijing Jingdong Century Trading Co., Ltd.** (CN)

(**) Term: **15 Years**

(21) Appl. No.: **29/607,568**

(22) Filed: **Jun. 14, 2017**

(30) **Foreign Application Priority Data**

Jan. 22, 2017 (CN) 2017 3 0025509

(51) **LOC (12) Cl.** **15-99**

(52) **U.S. Cl.**
USPC **D15/199**

(58) **Field of Classification Search**
USPC D15/199; D21/578-583, 621, 622
CPC B25J 5/007; B60B 19/006; B62D 57/024;
H01F 7/0221; Y10S 901/01
See application file for complete search history.

(56) **References Cited**

U.S. PATENT DOCUMENTS

4,137,984 A * 2/1979 Jennings B62D 1/28
180/168
4,962,453 A * 10/1990 Pong, Jr. A47L 11/4011
180/167

D451,931 S * 12/2001 Abramson D15/14
D527,854 S * 9/2006 Marzynski D15/199
D691,337 S * 10/2013 Kim D32/21
D704,400 S * 5/2014 Shin D32/21
D720,510 S * 12/2014 Shin D32/21
D720,511 S * 12/2014 Shin D32/21
D743,647 S * 11/2015 Heck D32/21
D748,878 S * 2/2016 Dooley D32/21
D781,955 S * 3/2017 Kim D18/50
D810,799 S * 2/2018 Sokuza D15/199
D812,663 S * 3/2018 Waters D15/199
D832,372 S * 10/2018 Huang D21/578
2005/0144904 A1 * 7/2005 Veltkamp E04B 1/803
52/782.1

* cited by examiner

Primary Examiner — Patricia A Palasik

(74) *Attorney, Agent, or Firm* — Saidman DesignLaw Group, LLC

(57) **CLAIM**

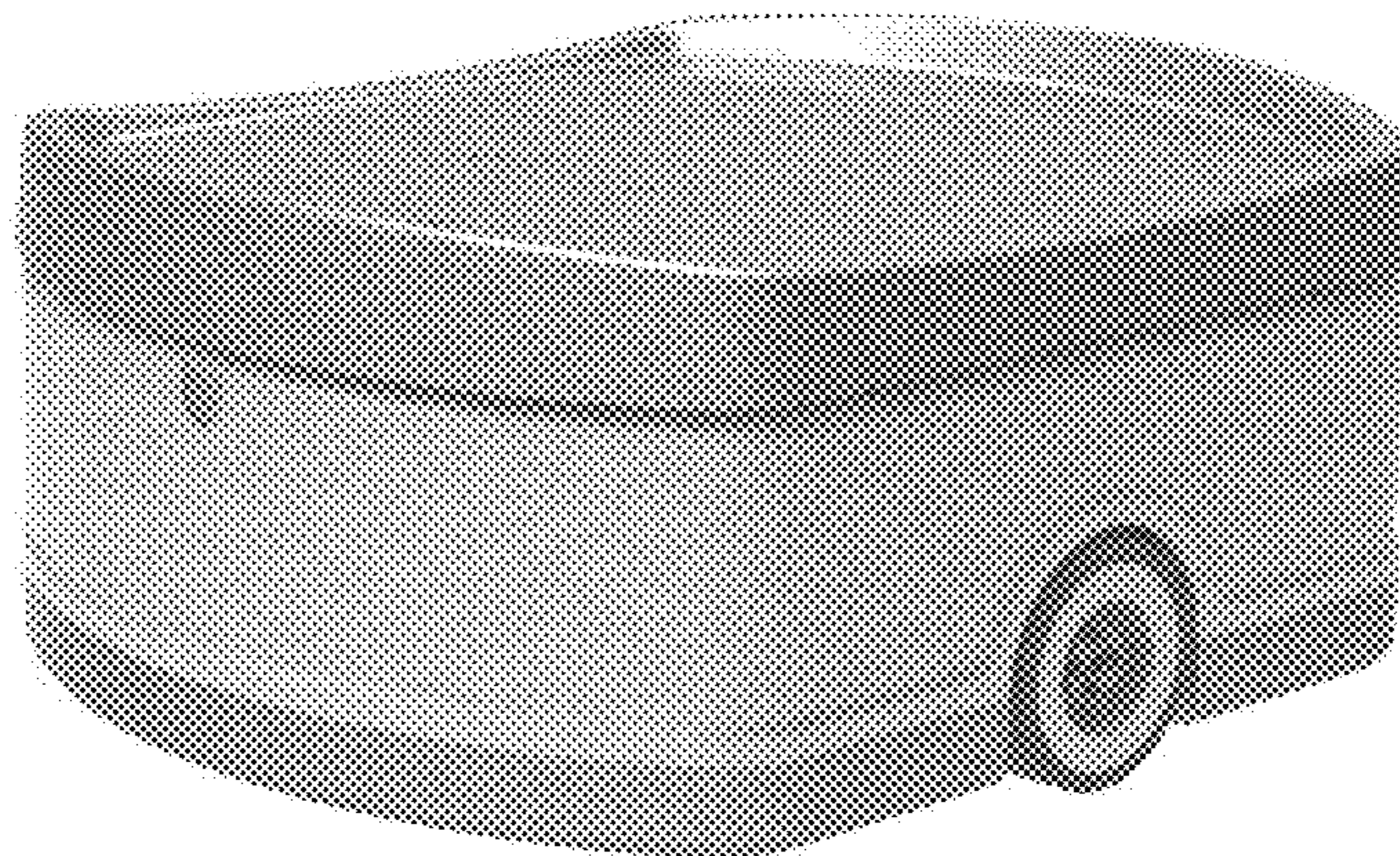
The ornamental design for a robot, as shown and described.

DESCRIPTION

FIG. 1 is a perspective view of a robot showing our new design;
FIG. 2 is a front view thereof;
FIG. 3 is a rear view thereof;
FIG. 4 is a left side view thereof;
FIG. 5 is a right side view thereof;
FIG. 6 is a top view thereof; and,
FIG. 7 is a bottom view thereof.

The area within the broken lines comprises structure or features of the robot that form no part of the claimed design.

1 Claim, 7 Drawing Sheets



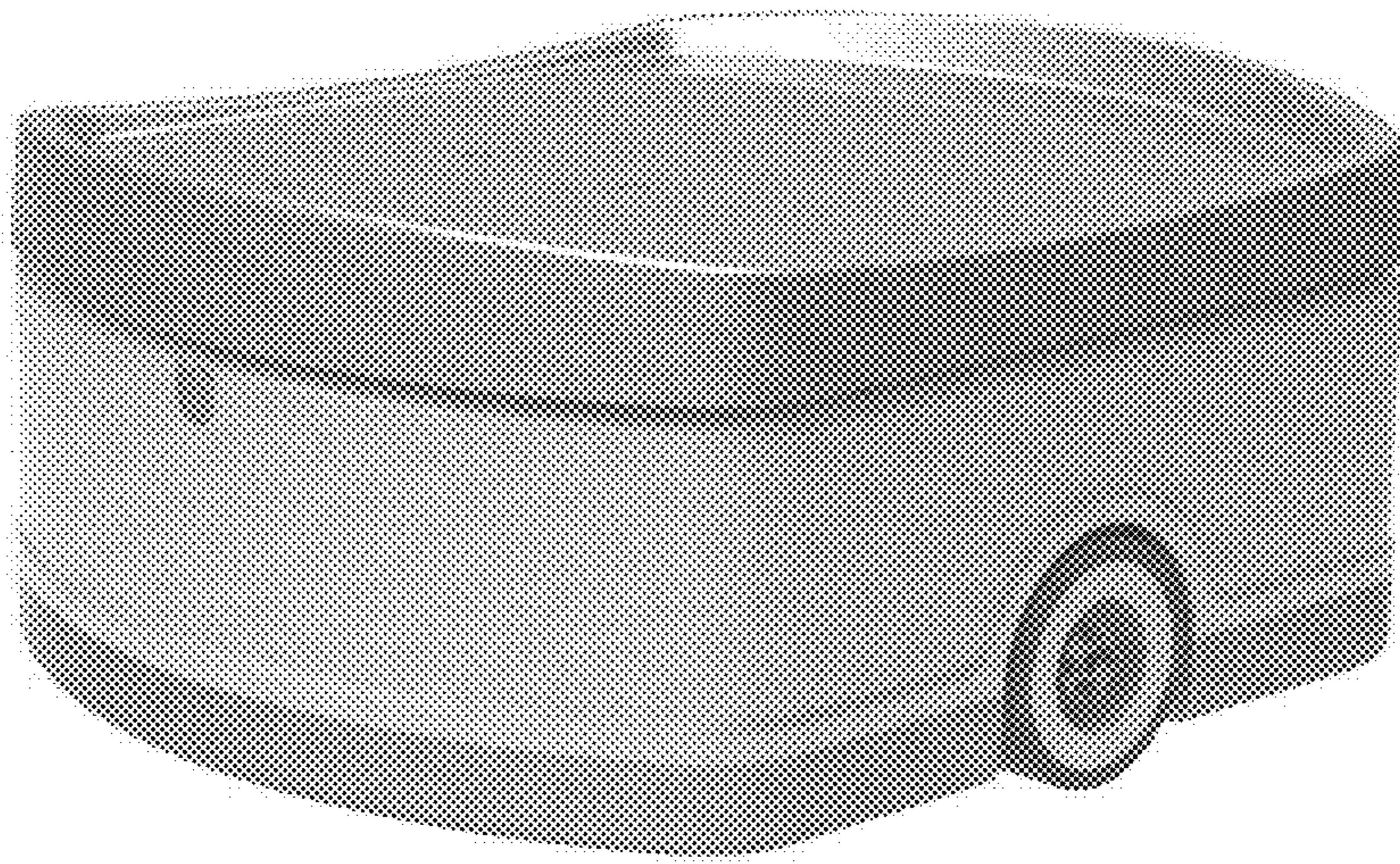


FIG. 1

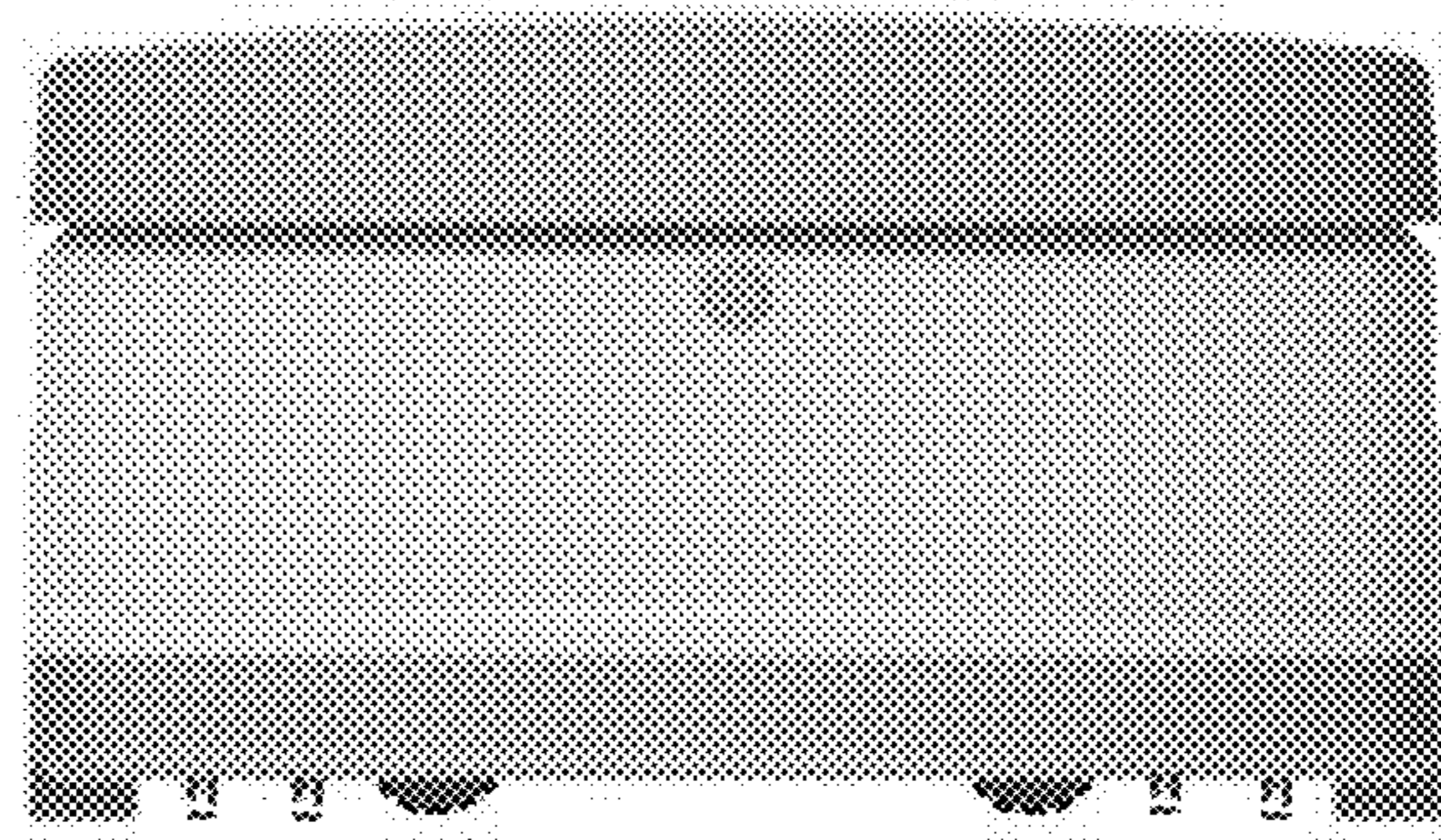


FIG. 2

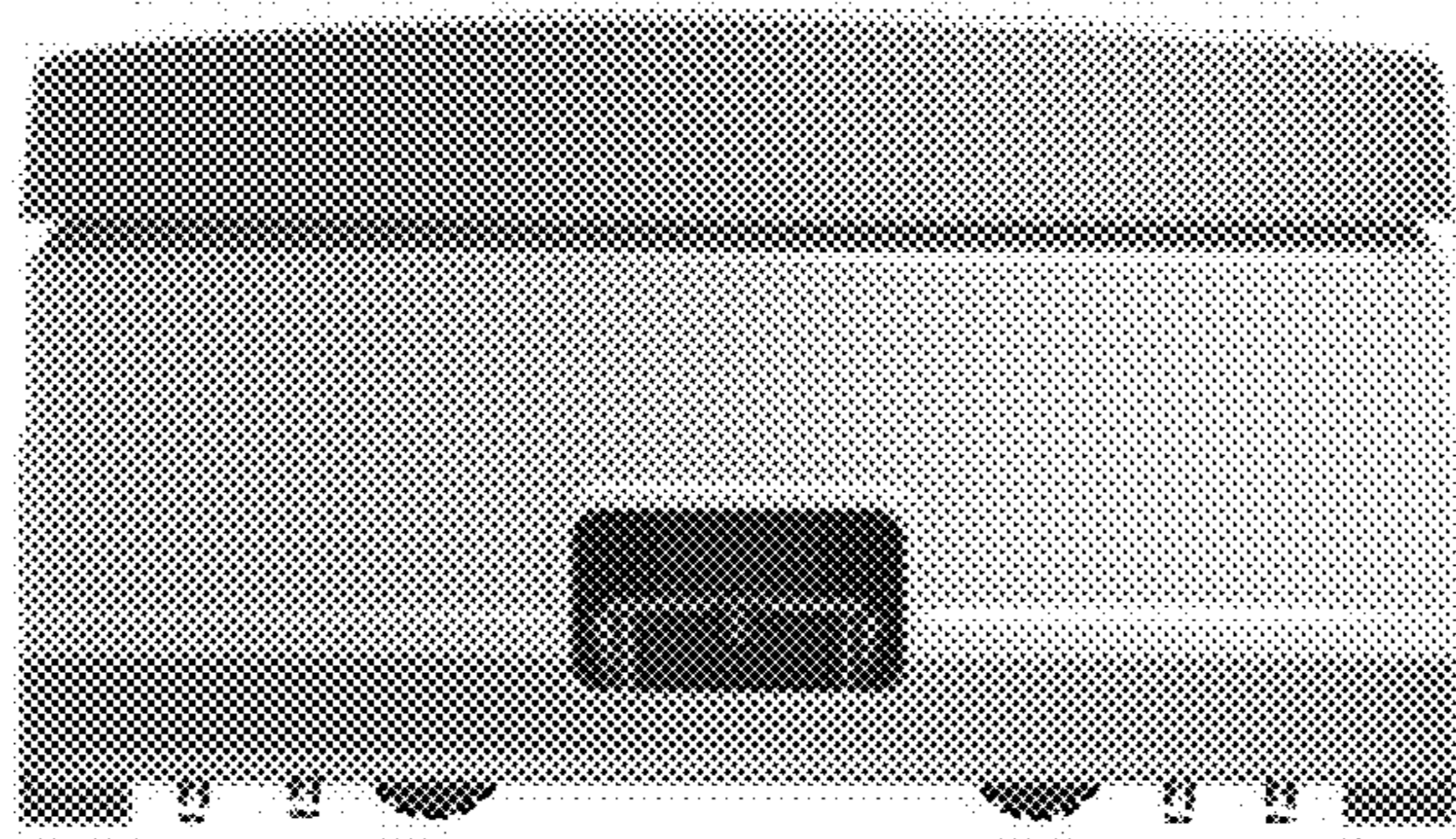


FIG. 3

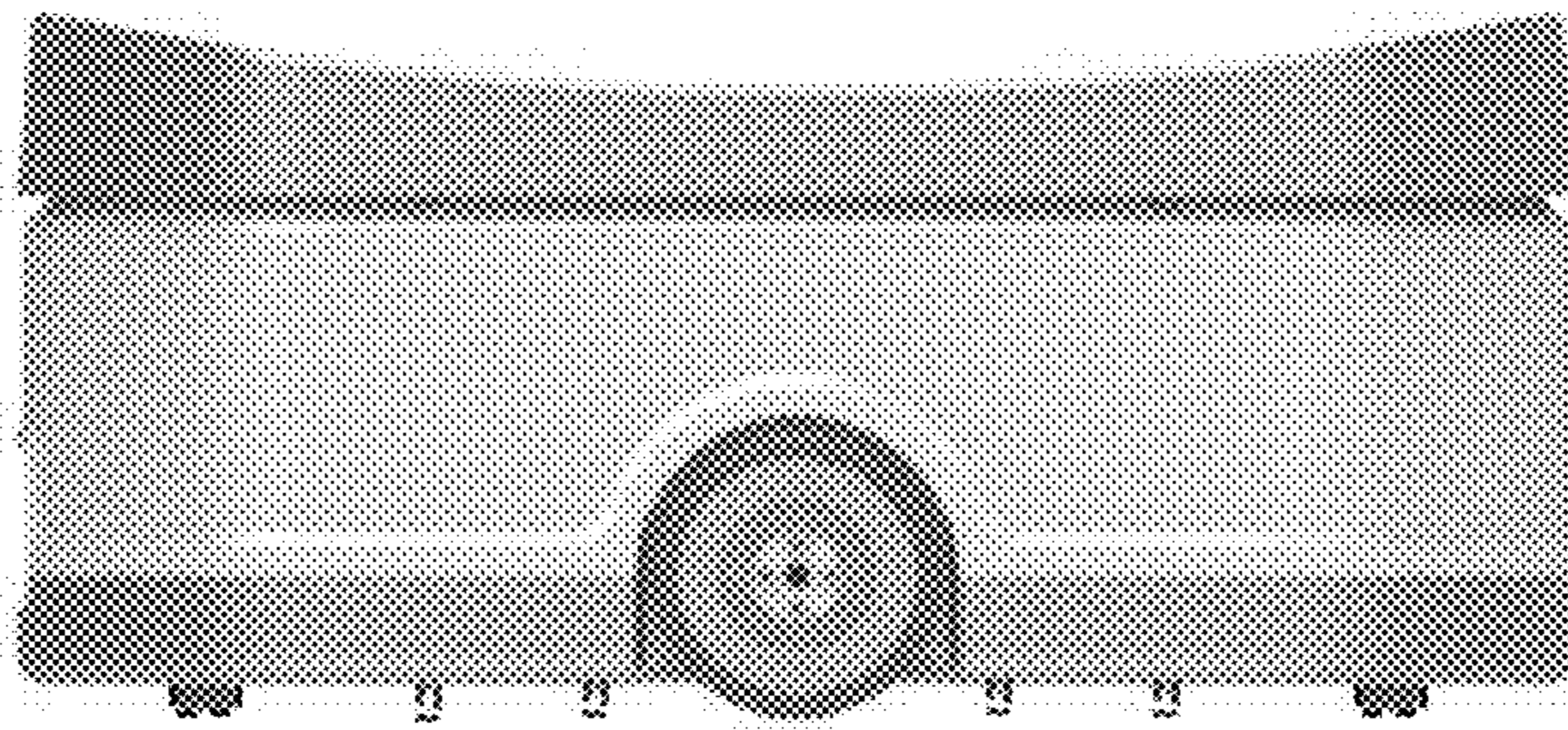


FIG. 4

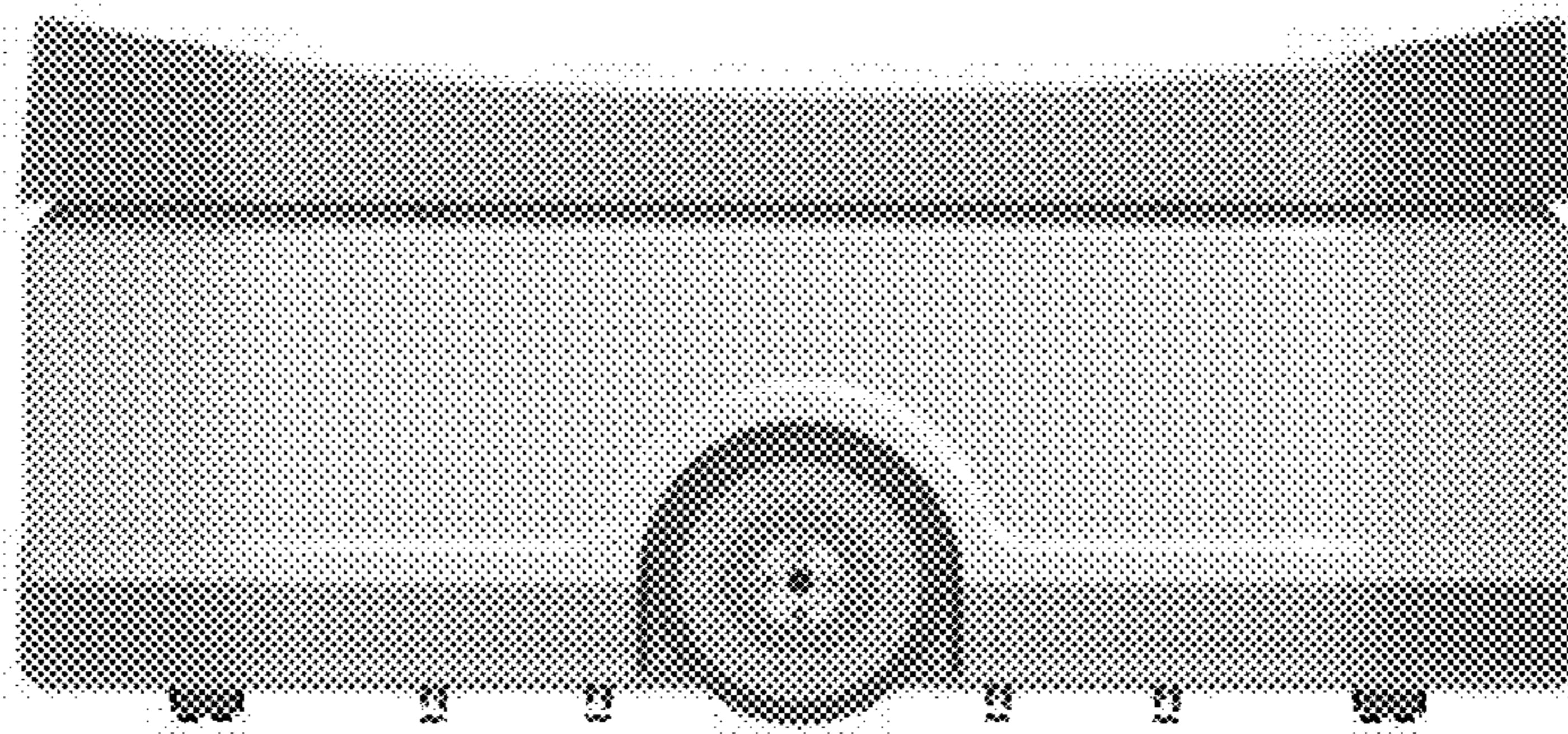


FIG. 5

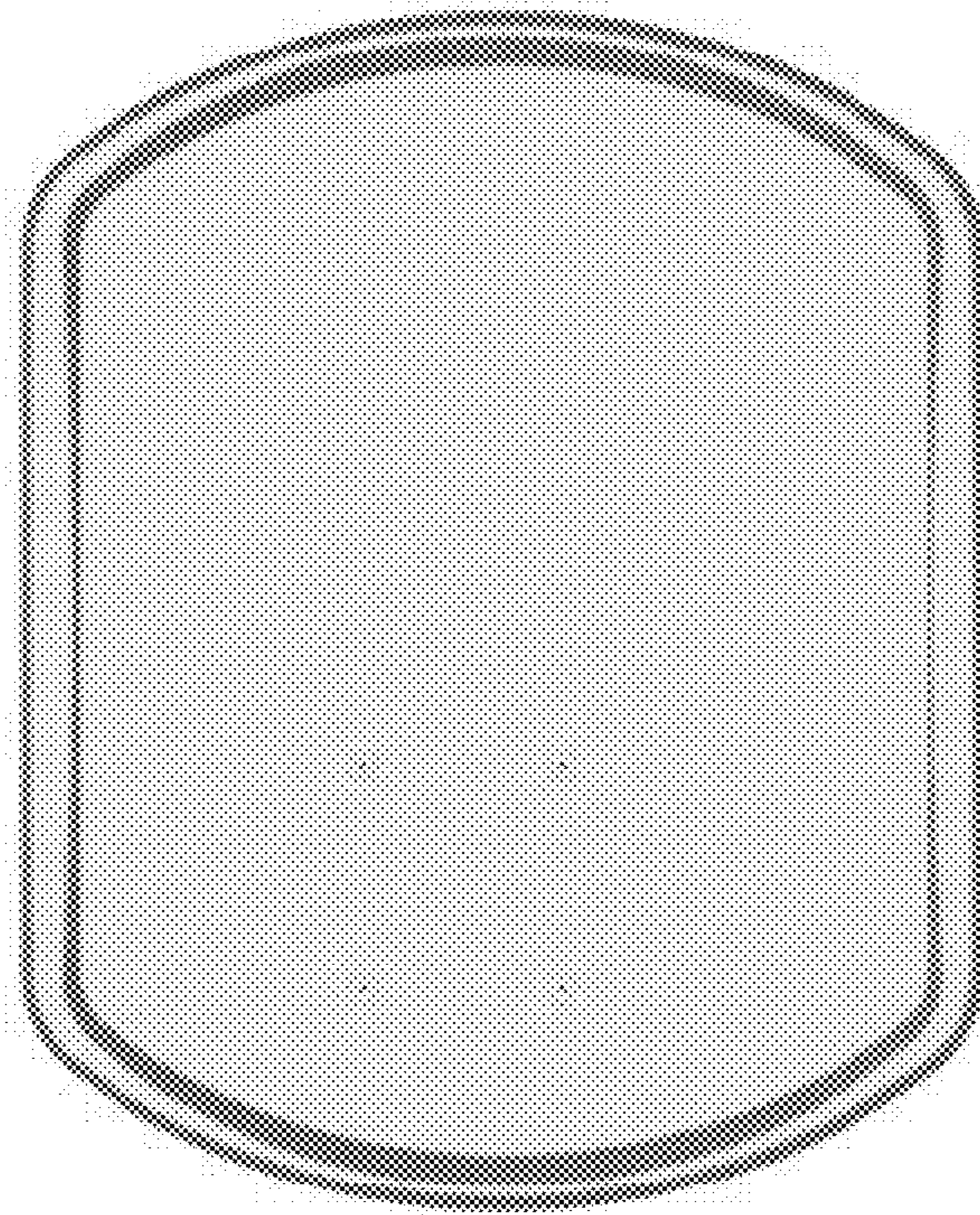


FIG. 6

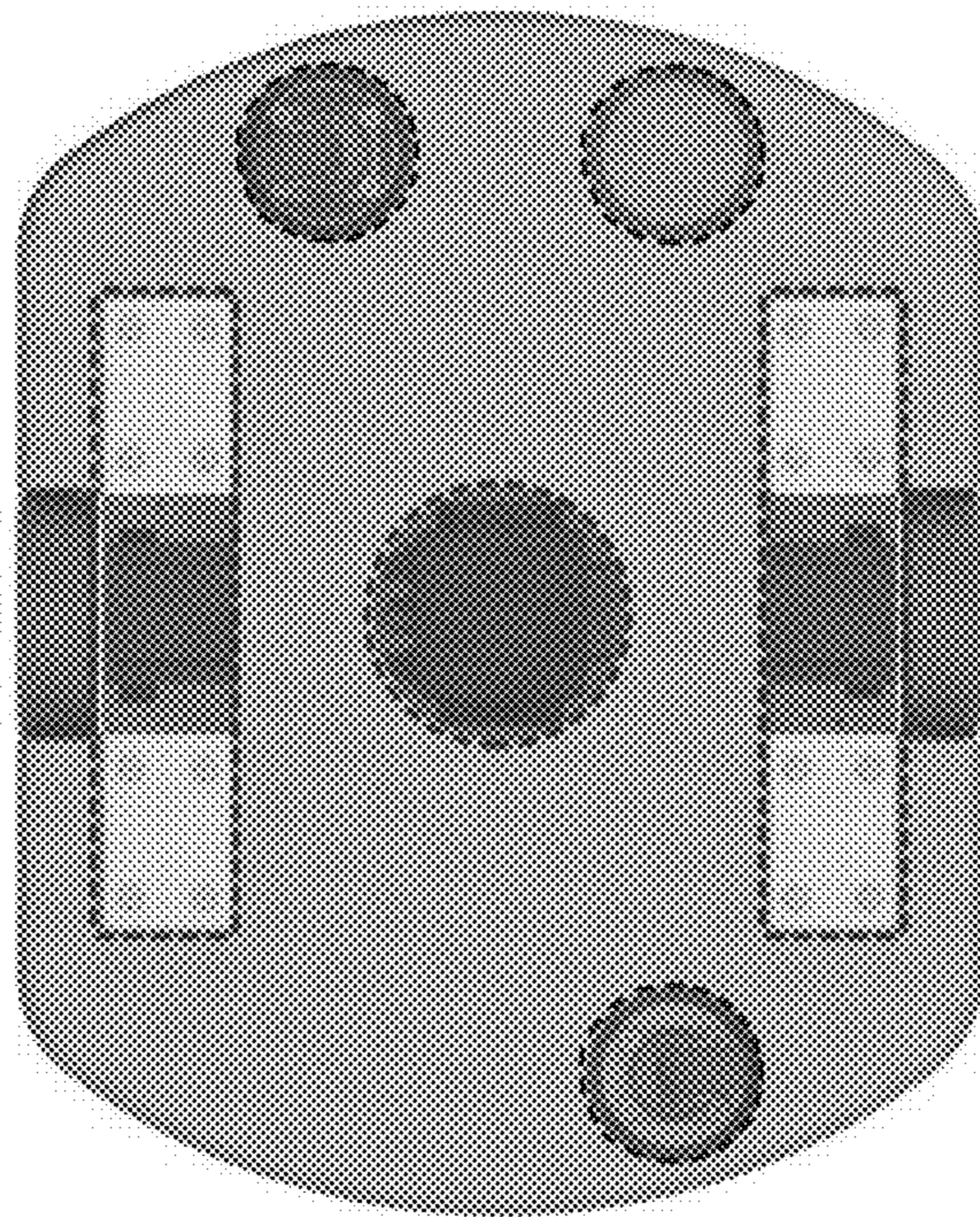


FIG. 7