



US00D863385S

(12) **United States Design Patent** (10) **Patent No.:** **US D863,385 S**  
**Saeki** (45) **Date of Patent:** **\*\* Oct. 15, 2019**

(54) **THROWAWAY TIP FOR CUTTING TOOL**

(71) Applicant: **NGK SPARK PLUG CO., LTD.**,  
Nagoya, Aichi (JP)

(72) Inventor: **Takahiro Saeki**, Iwakura (JP)

(73) Assignee: **NGK SPARK PLUG CO., LTD.**,  
Nagoya (JP)

(\*\*) Term: **15 Years**

(21) Appl. No.: **29/648,738**

(22) Filed: **May 23, 2018**

(30) **Foreign Application Priority Data**

Nov. 24, 2017 (JP) ..... 2017-026141

(51) **LOC (12) Cl.** ..... **15-09**

(52) **U.S. Cl.**  
USPC ..... **D15/139**

(58) **Field of Classification Search**  
USPC ..... 8/20, 70; 15/126, 131, 138, 139, 140  
CPC ..... B23C 5/109; B23C 5/207  
See application file for complete search history.

(56) **References Cited**

U.S. PATENT DOCUMENTS

1,864,542 A \* 6/1932 Holzapfel ..... B02C 17/20  
241/184

1,912,666 A \* 6/1933 Swanson ..... B23K 31/025  
407/118

2,847,169 A \* 8/1958 Hartman ..... B02C 17/20  
241/184

4,086,016 A \* 4/1978 Goeke ..... B23B 27/141  
407/114

D278,716 S \* 5/1985 Pano ..... D15/139

4,830,548 A \* 5/1989 Kandarian ..... B23B 51/05  
30/310

D404,085 S \* 1/1999 Golad ..... D21/372

D502,473 S \* 3/2005 Tong ..... D15/139

D555,680 S \* 11/2007 Popov ..... D15/126

D570,384 S \* 6/2008 Morozov ..... D15/139

D594,486 S \* 6/2009 Morozov ..... D15/139

D735,254 S \* 7/2015 O'Malley ..... D15/139

D743,457 S \* 11/2015 Bodurov ..... D15/126

10,010,950 B2 \* 7/2018 Matsumura ..... B23C 5/207

D832,898 S \* 11/2018 Wetherell ..... D15/126

D849,069 S \* 5/2019 Hirano ..... D15/126

2011/0297775 A1 \* 12/2011 Bodurov ..... B02C 17/20  
241/291

2011/0299945 A1 \* 12/2011 Choi ..... B23C 5/1036  
407/11

2015/0352646 A1 \* 12/2015 Bhagath ..... B23C 5/08  
407/51

2017/0008100 A1 \* 1/2017 Oikawa ..... B23C 5/06

\* cited by examiner

*Primary Examiner* — Patricia A Palasik  
(74) *Attorney, Agent, or Firm* — Stites & Harbison,  
PLLC; Jeffrey A. Haeberlin

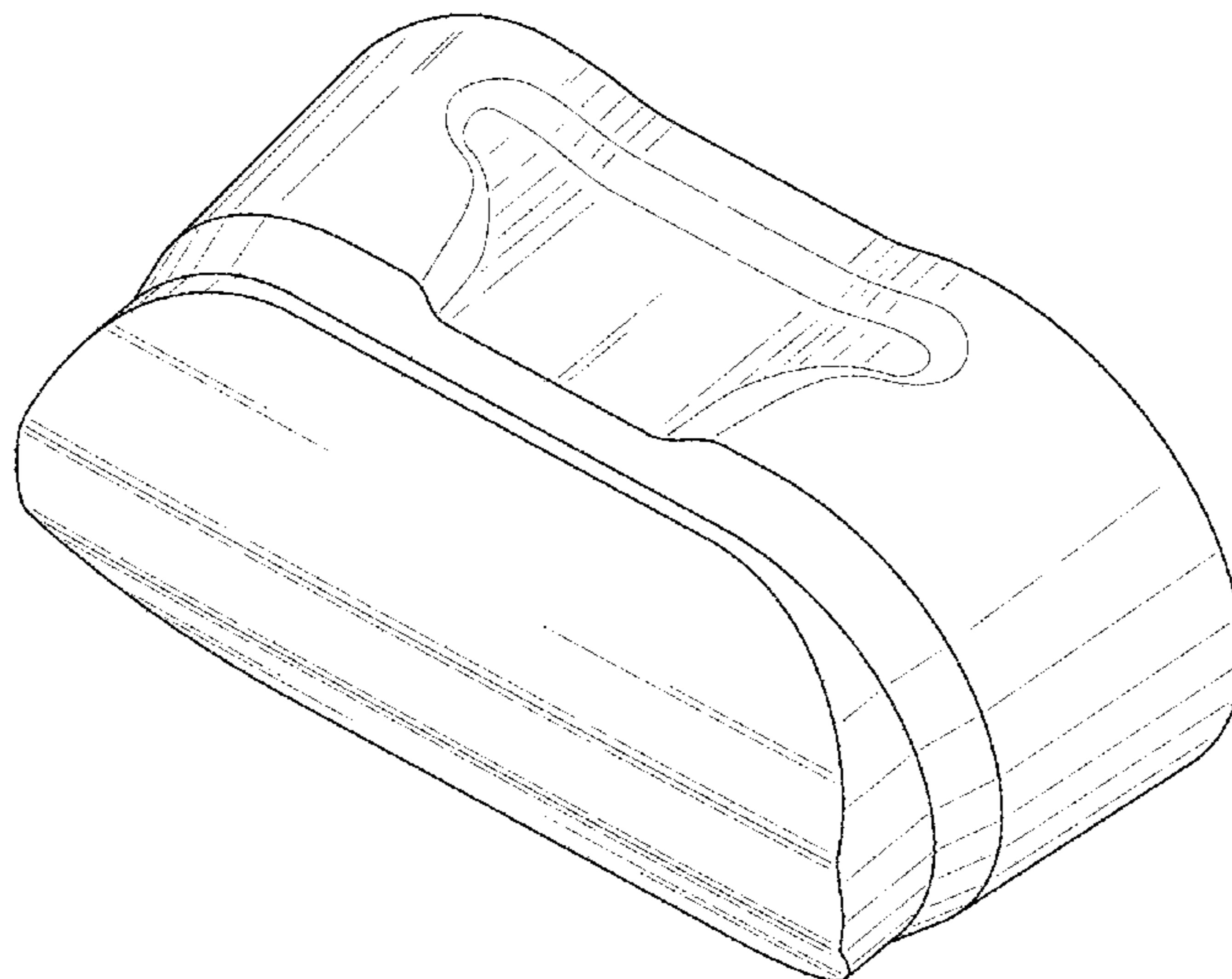
(57) **CLAIM**

The ornamental design for a throwaway tip for cutting tool, as shown and described.

**DESCRIPTION**

FIG. 1 is a rear perspective view of a throwaway tip for cutting tool showing our new design, wherein FIG. 1 shows a rear face, a right face, and a top face of the throwaway tip; FIG. 2 is a rear perspective view showing the rear face, a left face, and the top face of the throwaway tip; FIG. 3 is a rear perspective view showing the rear face, the left face, and a bottom face of the throwaway tip; FIG. 4 is a front view thereof; FIG. 5 is a rear view thereof; FIG. 6 is a left side view thereof; FIG. 7 is a right side view thereof; FIG. 8 is a top view thereof; and, FIG. 9 is a bottom view thereof.

**1 Claim, 8 Drawing Sheets**



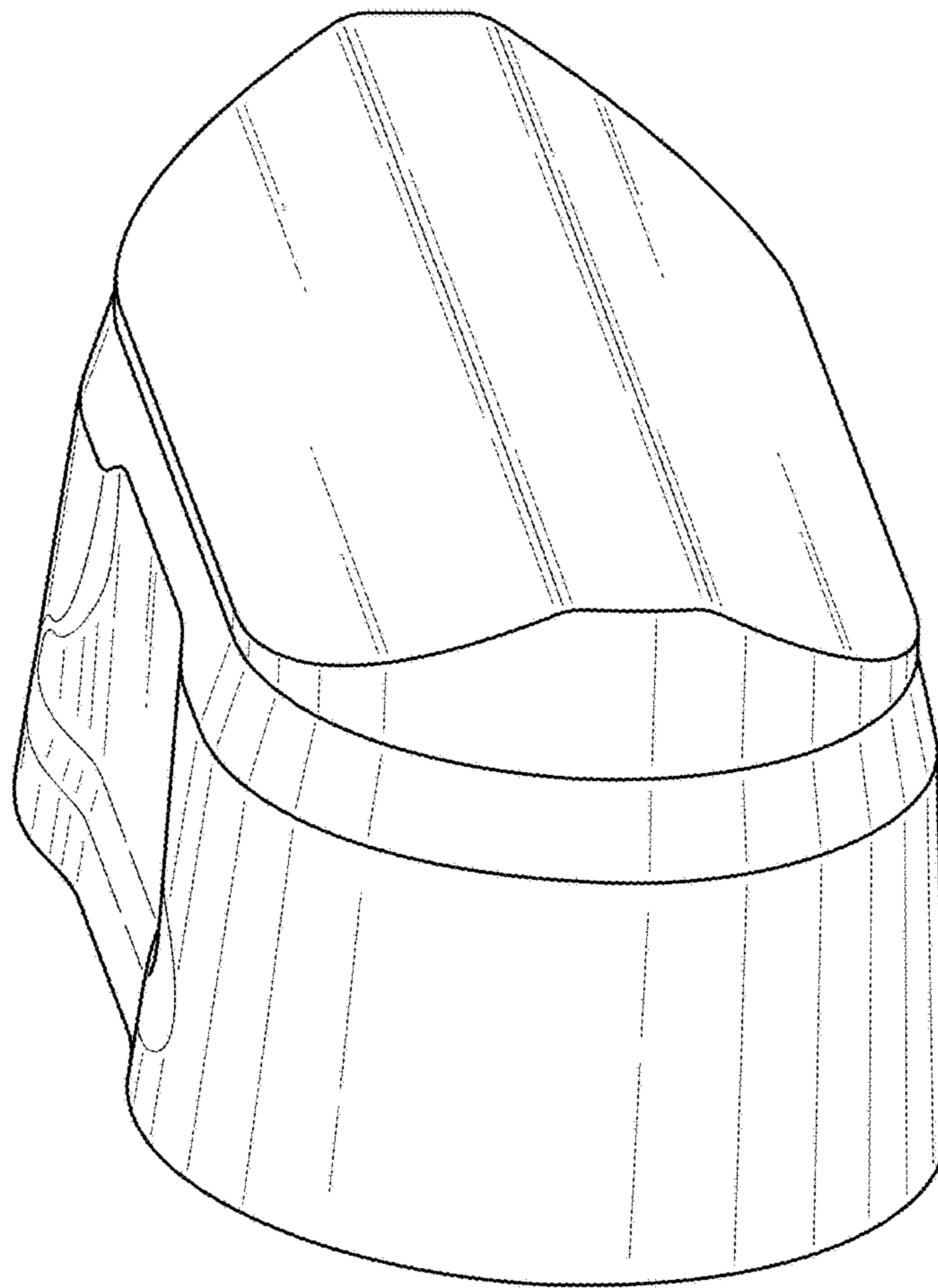


Fig. 1

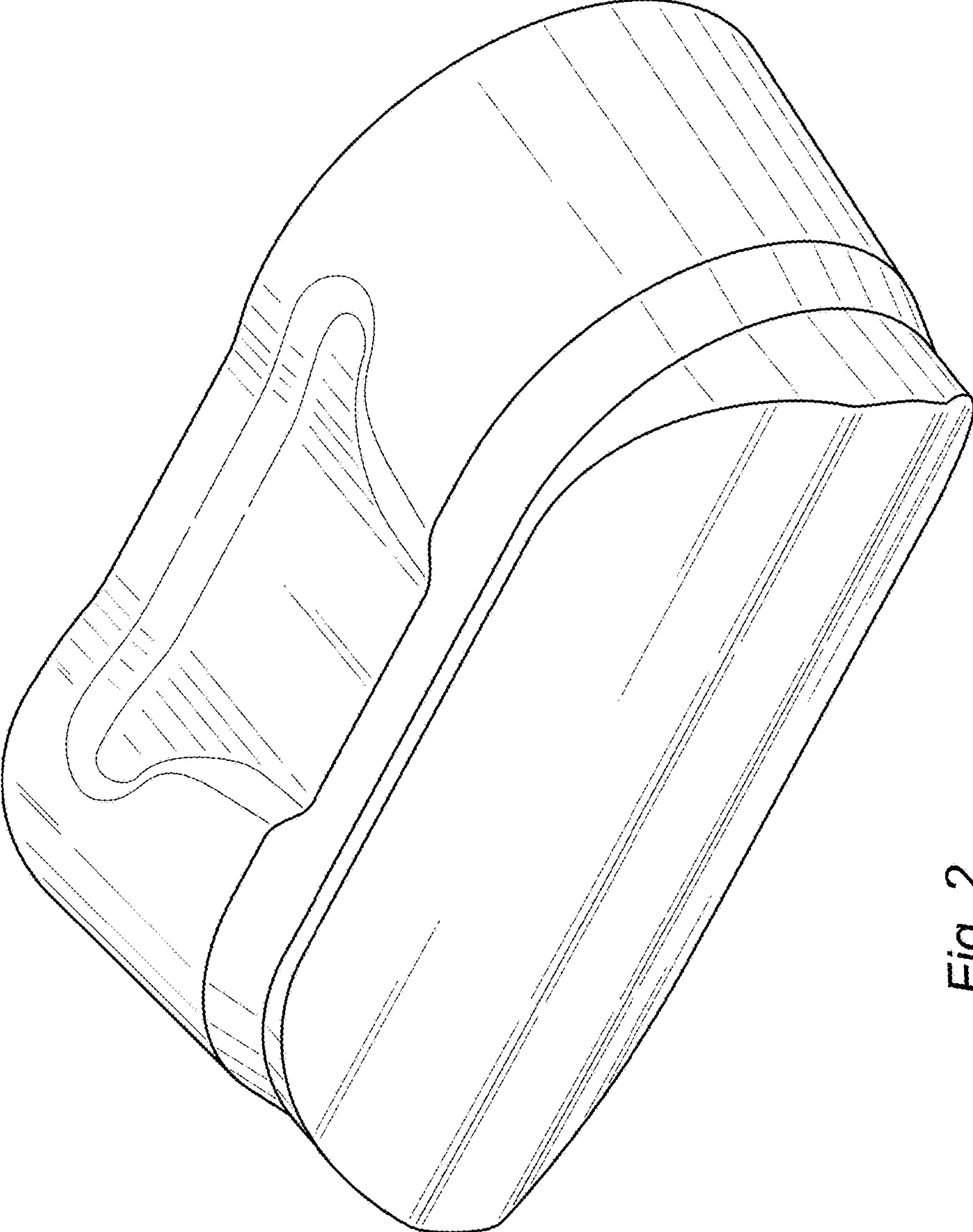


Fig. 2

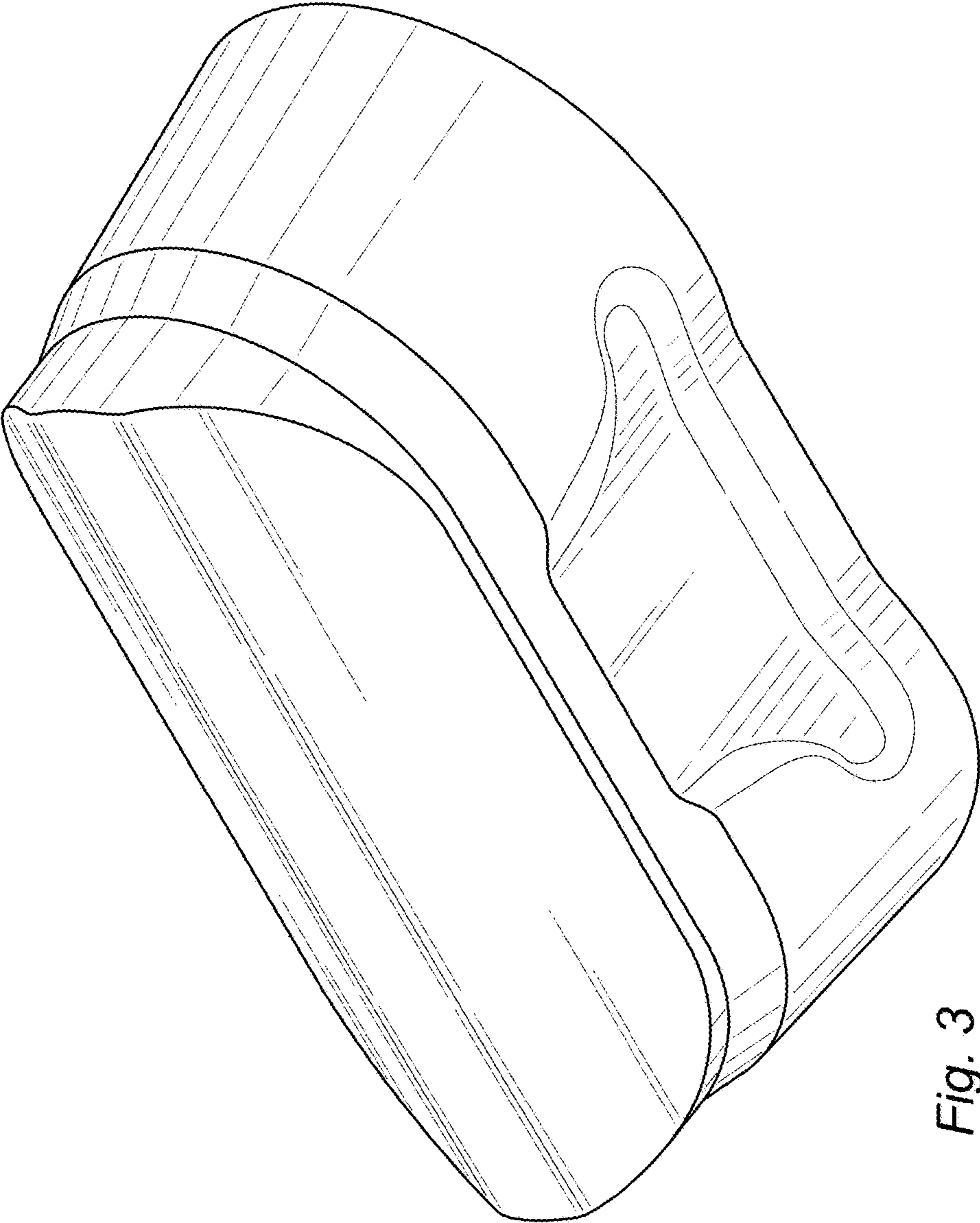


Fig. 3

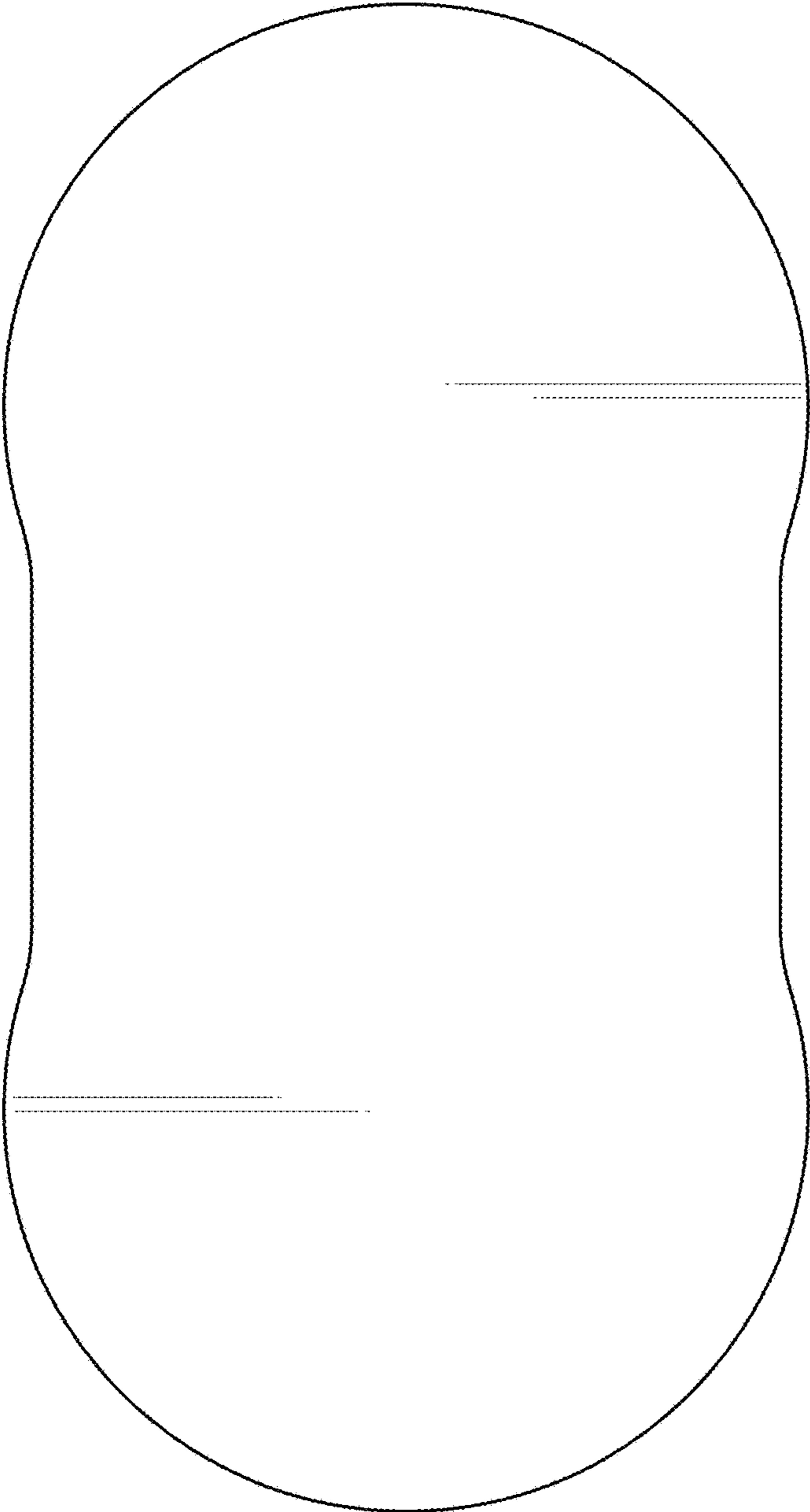


Fig. 4

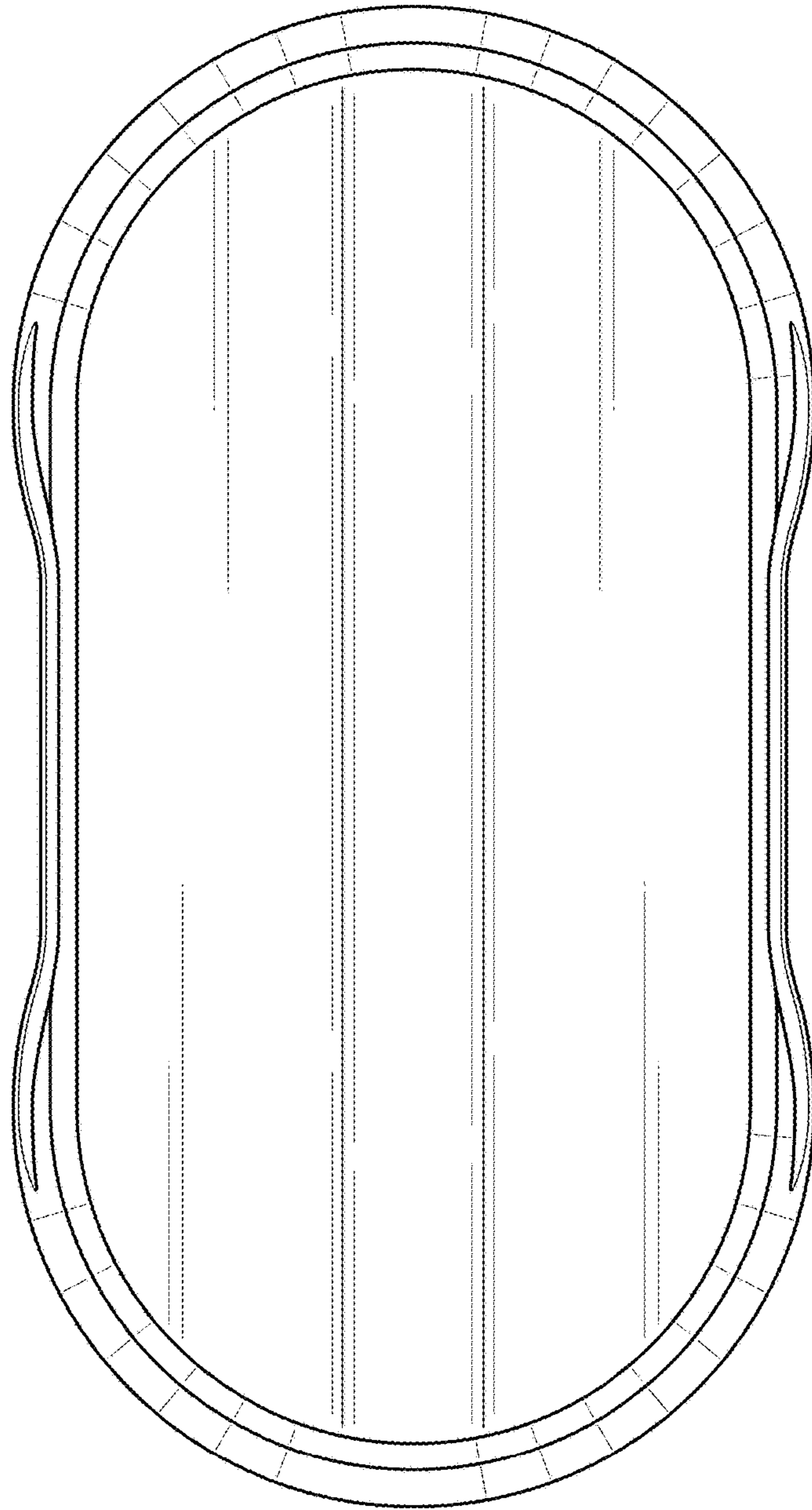


Fig. 5

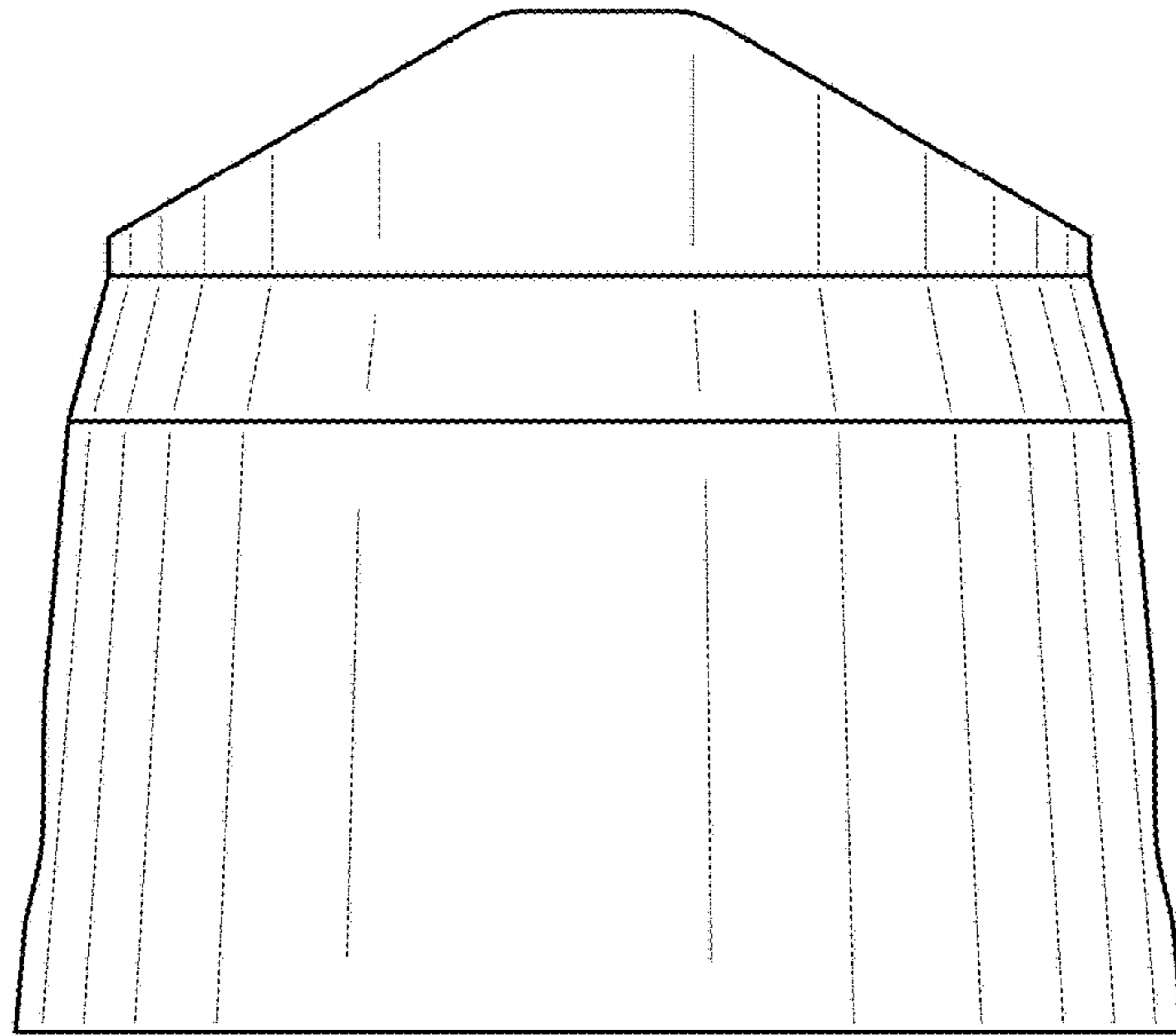


Fig. 7

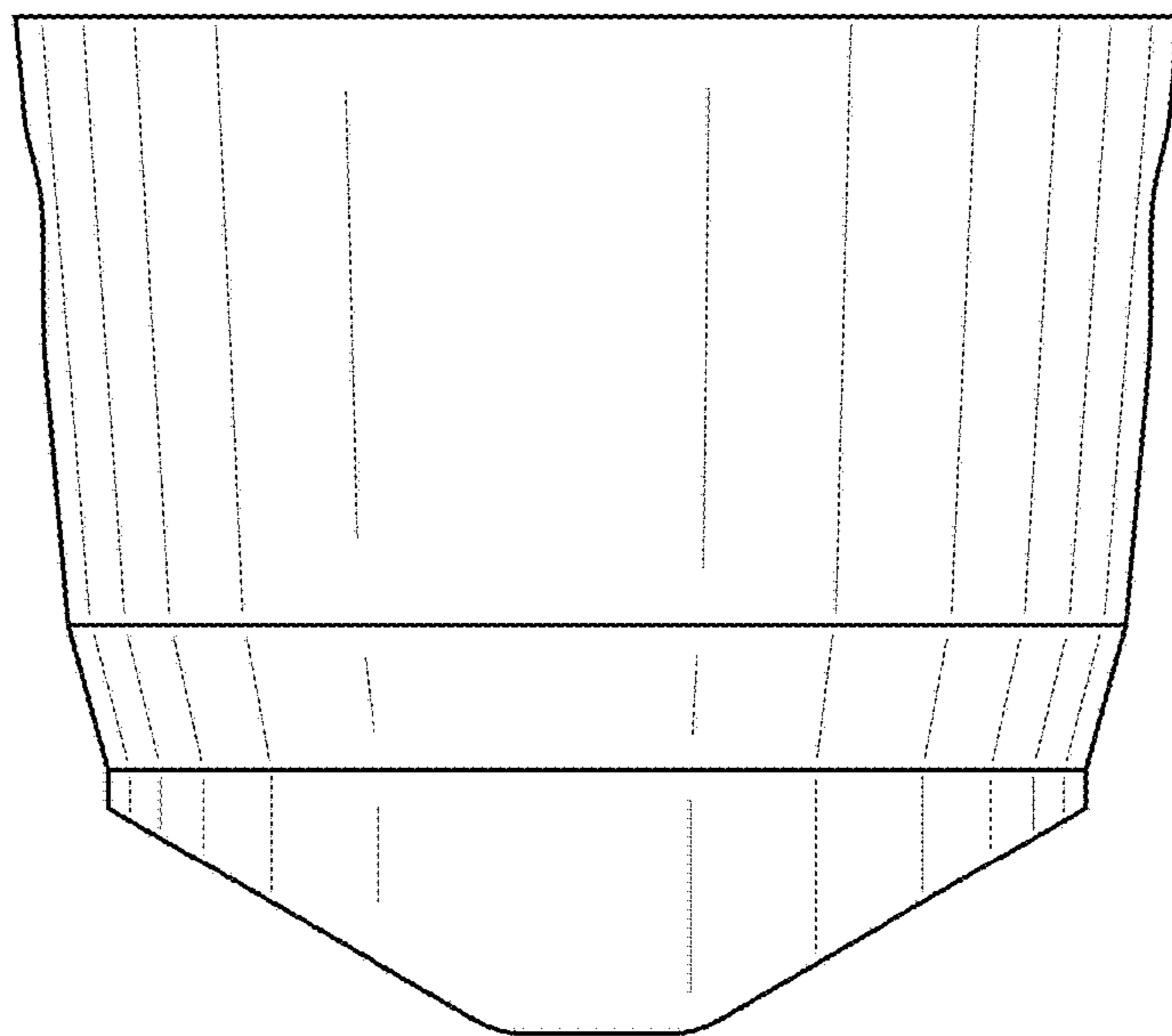


Fig. 6

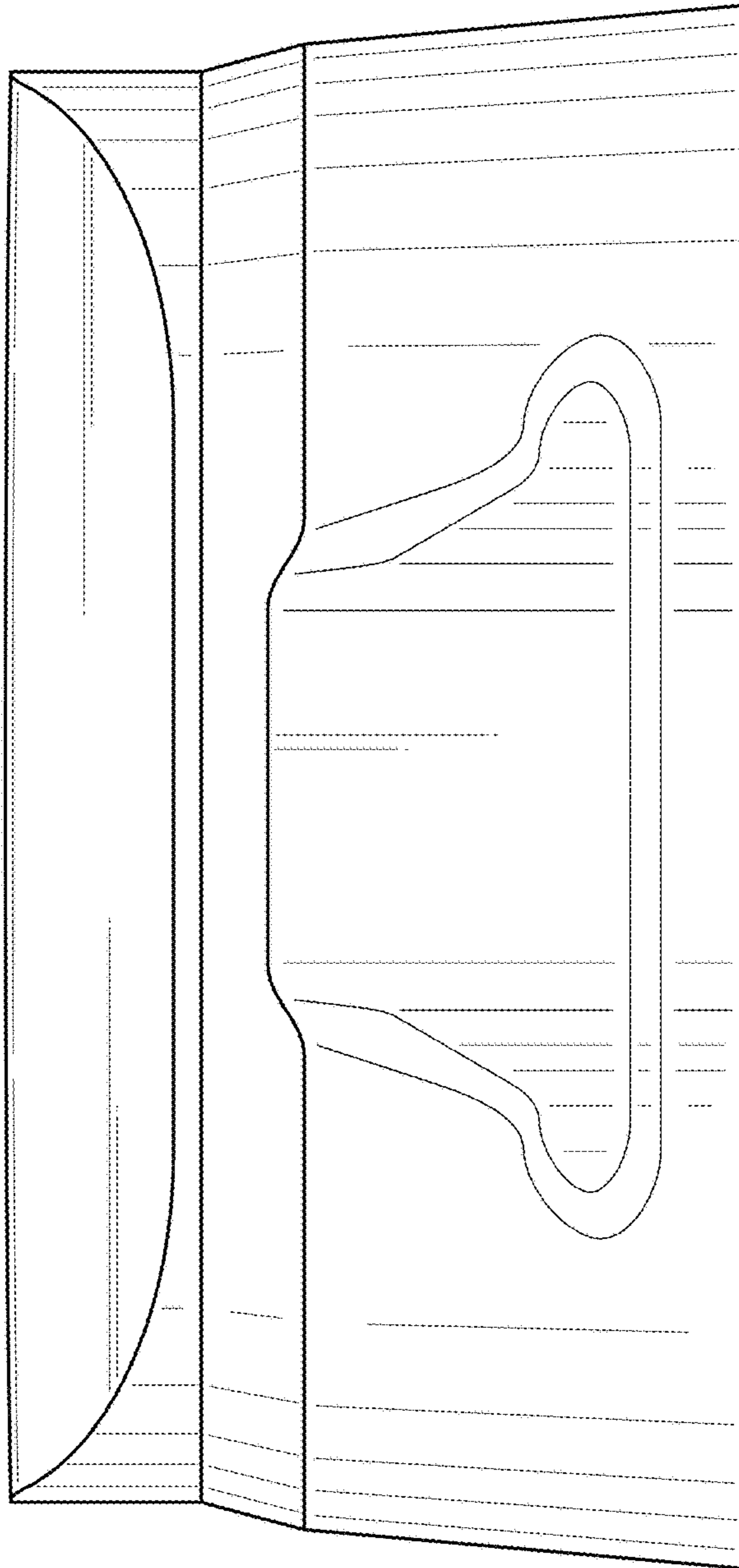


Fig. 8



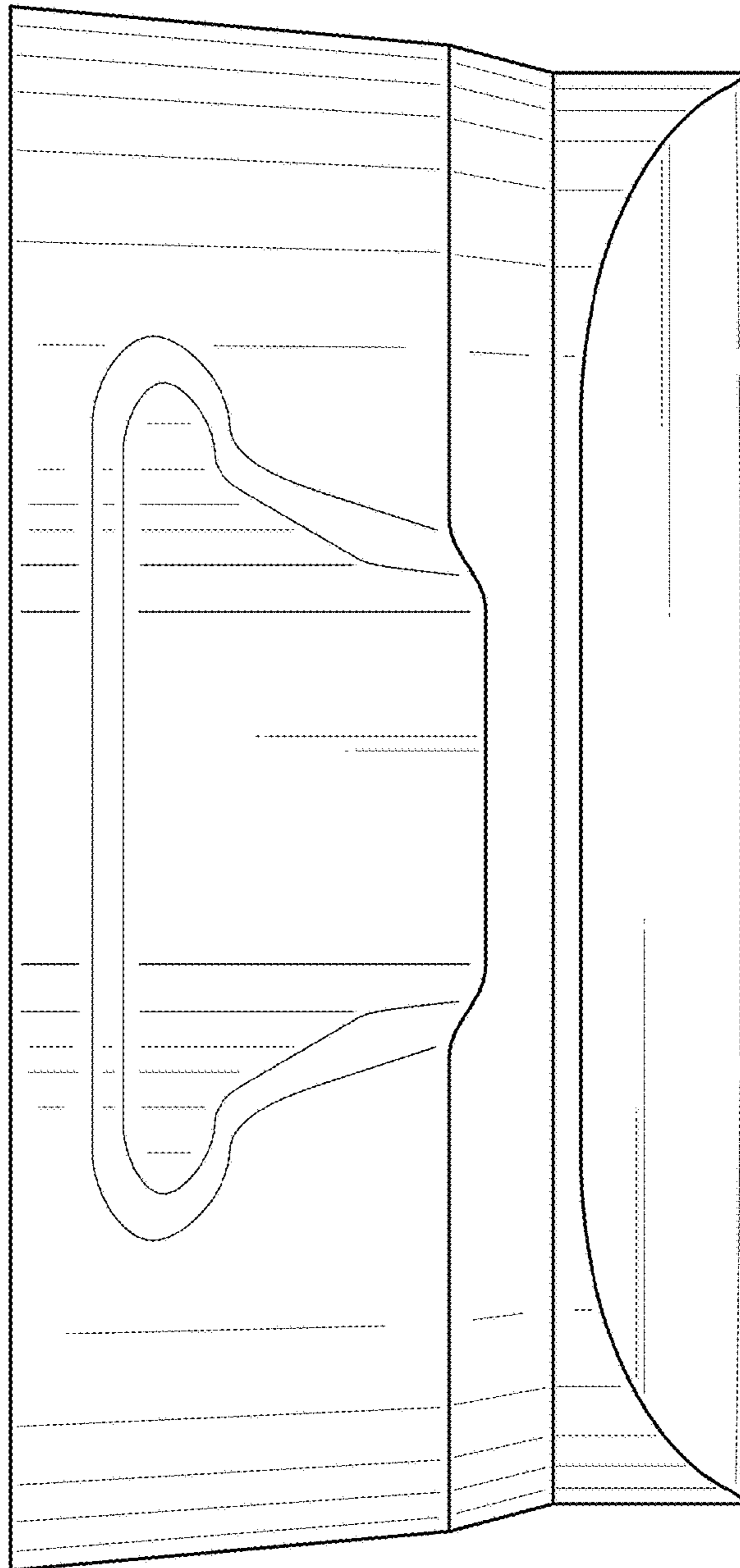


Fig. 9