

US00D863383S

(12) **United States Design Patent** (10) **Patent No.:** **US D863,383 S**
Wills (45) **Date of Patent:** **** Oct. 15, 2019**

(54) **FLUID DRILLING HEAD**
(71) Applicant: **Rodney A. Wills**, Tucson, AZ (US)
(72) Inventor: **Rodney A. Wills**, Tucson, AZ (US)
(73) Assignee: **DIRT DUCK, LLC**, Tucson, AZ (US)
(**) Term: **15 Years**
(21) Appl. No.: **29/644,425**
(22) Filed: **Apr. 17, 2018**
(51) **LOC (12) Cl.** **15-09**
(52) **U.S. Cl.**
USPC **D15/139; D23/213**
(58) **Field of Classification Search**
USPC D7/300, 303, 312, 314, 316, 589, 415;
D15/122, 139, 140, 144, 144.1, 144.2,
D15/138-41, 43; D23/213, 214, 217,
D23/219, 223, 224, 230, 249, 255, 263,
D23/266
CPC E21B 7/18; E21B 10/60
See application file for complete search history.

4,368,786 A 1/1983 Cousins
4,460,053 A * 7/1984 Jurgens E21B 10/46
175/430
4,540,056 A * 9/1985 O'Hanlon E21B 10/58
175/393
4,848,486 A 7/1989 Bodine
4,957,173 A 9/1990 Kinnan
D320,063 S * 9/1991 Kobayashi D23/213
5,048,871 A 9/1991 Pfeiffer et al.
5,102,170 A 4/1992 Inoue
5,111,891 A 5/1992 Kinnan
5,549,431 A 8/1996 Royle
D390,631 S * 2/1998 Evans D23/214
5,746,374 A 5/1998 Simonetti et al.
5,816,622 A 10/1998 Carter

(Continued)

FOREIGN PATENT DOCUMENTS

CA 2467003 A1 * 5/2003 E21B 7/18
CA 2827989 A1 * 8/2012 E21B 7/18

(Continued)

Primary Examiner — Michael C Stout
Assistant Examiner — Fritzgerald L Butac
(74) *Attorney, Agent, or Firm* — Dale F. Regelman;
Grossman, Tucker, Perreault & Pfeleger, PLLC

(56) **References Cited**

U.S. PATENT DOCUMENTS

2,328,298 A 8/1943 Santhoff
3,314,490 A * 4/1967 Hildebrandt E21B 10/46
175/434
3,322,218 A * 5/1967 Hildebrandt E21B 10/46
175/405.1
3,324,957 A * 6/1967 Goodwin E21B 7/18
175/424
3,713,587 A 1/1973 Carson
3,751,077 A 8/1973 Hiszpanski
3,762,648 A 10/1973 Deines et al.
4,119,160 A 10/1978 Summers et al.
4,223,919 A 9/1980 Kurachi
4,286,676 A 9/1981 Nguyen et al.
4,334,585 A * 6/1982 Upton E21B 10/62
175/393

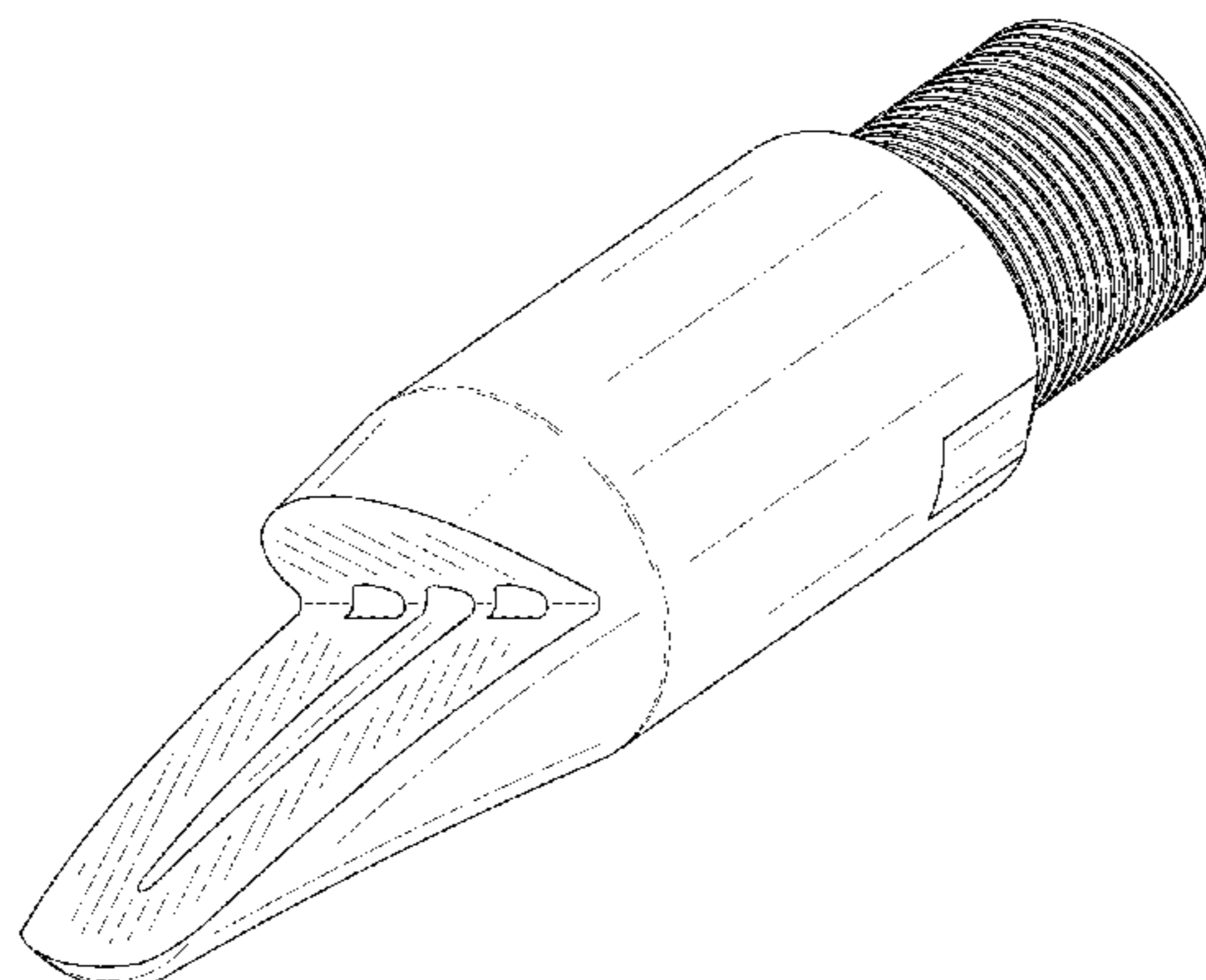
(57) **CLAIM**

The ornamental design for a fluid drilling head, as shown and described.

DESCRIPTION

FIG. 1 is a perspective view of a fluid drilling head;
FIG. 2 is top view thereof;
FIG. 3 is bottom view thereof;
FIG. 4 is a first side view thereof;
FIG. 5 is a second side view thereof;
FIG. 6 is a front view thereof; and,
FIG. 7 is a rear view thereof.

1 Claim, 6 Drawing Sheets



(56)

References Cited

U.S. PATENT DOCUMENTS

6,263,984 B1 7/2001 Buckman, Sr.
 6,405,795 B2 6/2002 Holbert et al.
 6,470,978 B2* 10/2002 Trueman E21B 4/18
 175/424
 6,575,429 B2 6/2003 Paine
 D490,669 S * 6/2004 Komar D8/14
 7,083,011 B2 8/2006 Meyer
 7,357,182 B2 4/2008 Hunt et al.
 8,191,650 B1 6/2012 Domingue
 8,827,009 B1* 9/2014 Rankin, III E21B 7/18
 175/107
 9,133,968 B2 9/2015 Elrick et al.
 9,145,738 B2 9/2015 Mazarac
 D747,440 S * 1/2016 Naslund D23/213
 D769,686 S * 10/2016 Meyer D8/38
 D805,164 S * 12/2017 Norman D23/259
 D815,256 S * 4/2018 Norman D23/259
 D832,984 S * 11/2018 Khubani D23/262
 D833,585 S * 11/2018 Khubani D23/262

D833,695 S * 11/2018 Tash D32/14
 D833,857 S * 11/2018 Gienza D8/382
 D834,712 S * 11/2018 Gulliver D24/129
 D835,692 S * 12/2018 Susin D15/144
 D836,755 S * 12/2018 Dale D23/259
 2006/0278393 A1* 12/2006 Hunt E21B 7/18
 166/298
 2009/0266559 A1 10/2009 Horvath et al.
 2010/0013212 A1 1/2010 Cheng
 2010/0102139 A1* 4/2010 Hursen B24C 5/04
 239/11
 2011/0110726 A1 5/2011 Plahert
 2013/0048762 A1 2/2013 Ulemek
 2018/0148980 A1* 5/2018 Nkwocha E21B 10/60

FOREIGN PATENT DOCUMENTS

RU 2005105828 A 8/2006
 RU 2297512 C2 4/2007
 WO 2009047507 A1 4/2009

* cited by examiner

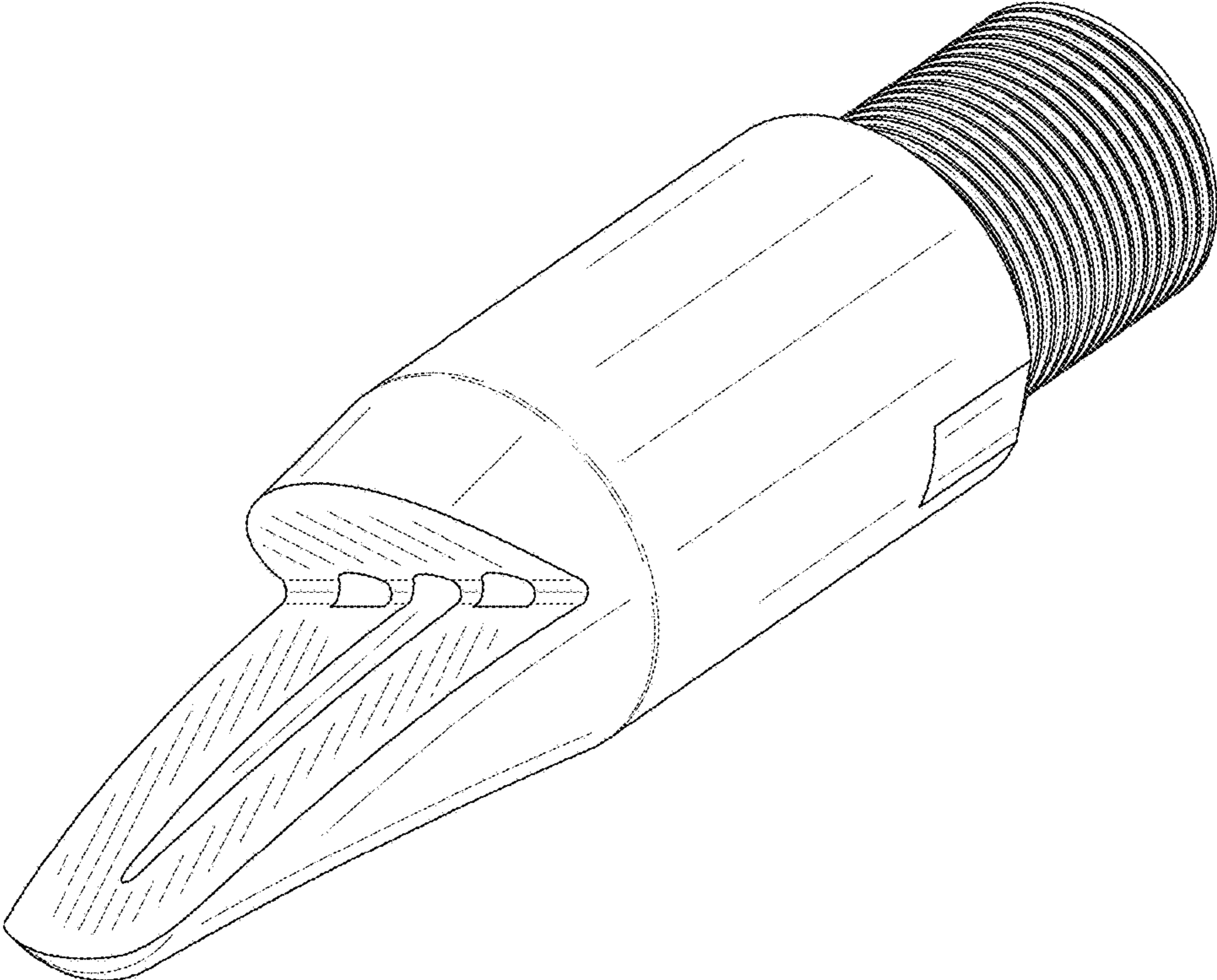


FIG. 1

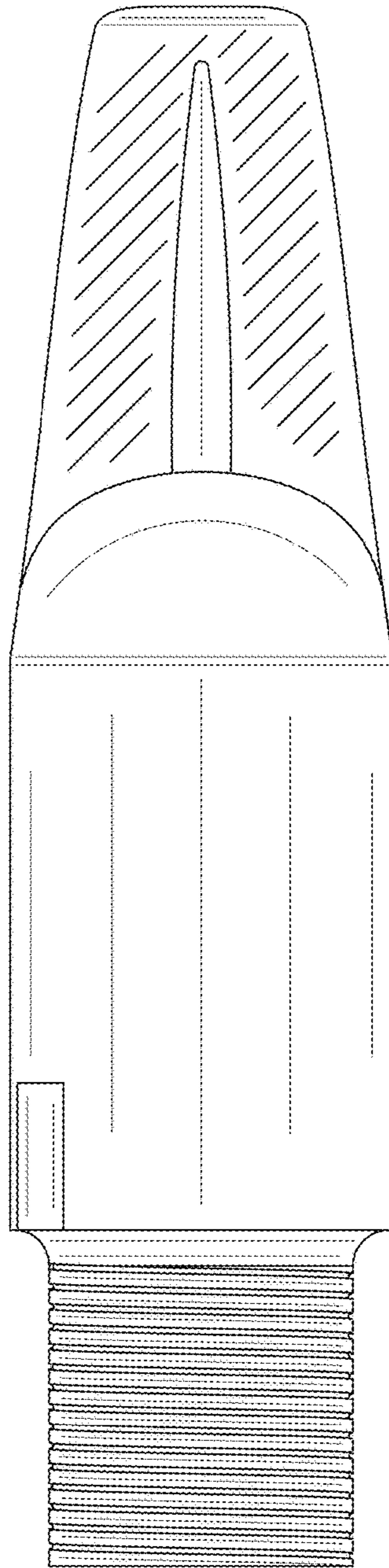


FIG. 2

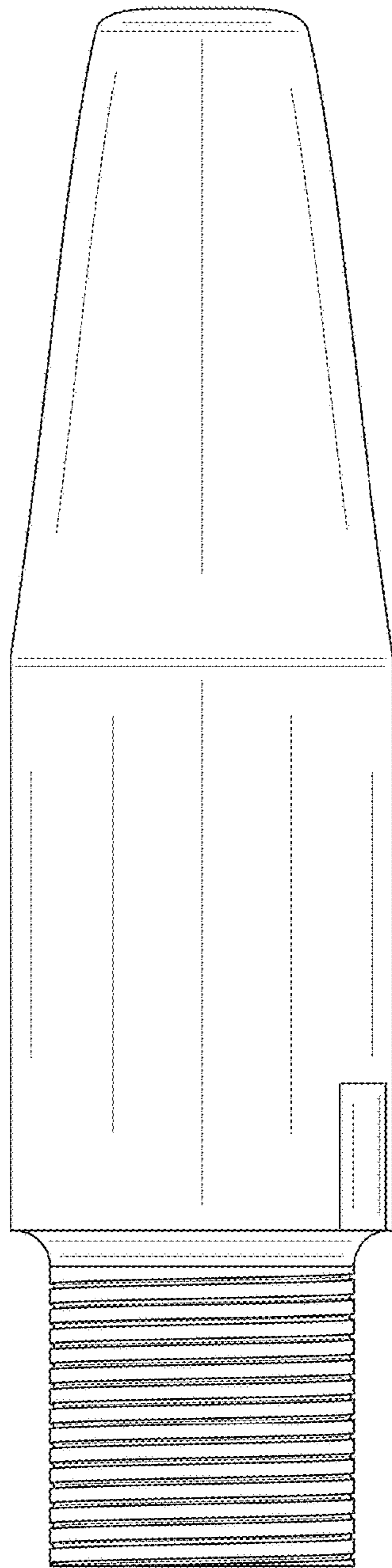


FIG. 3

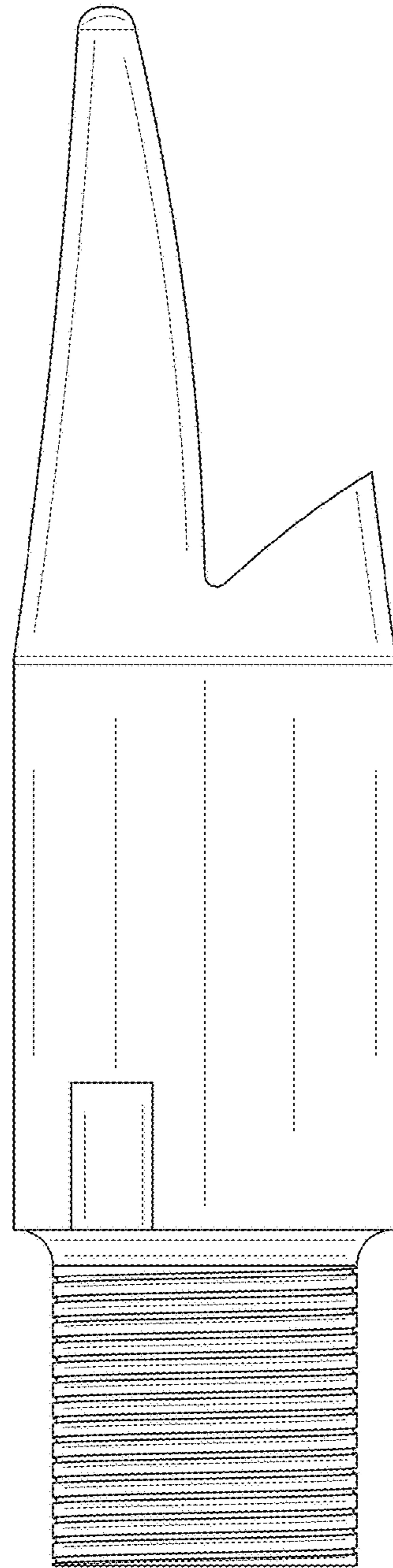


FIG. 4

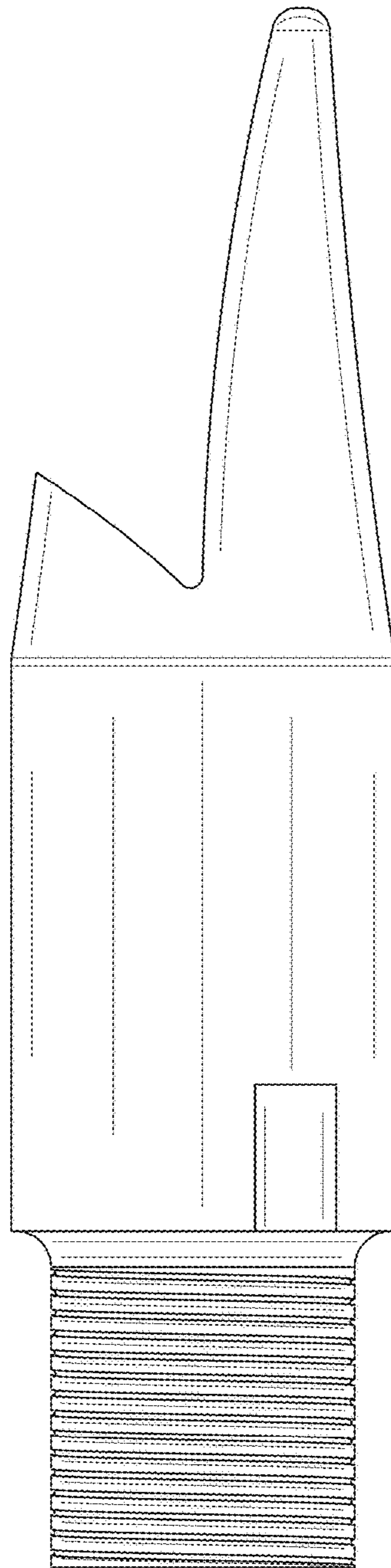


FIG. 5

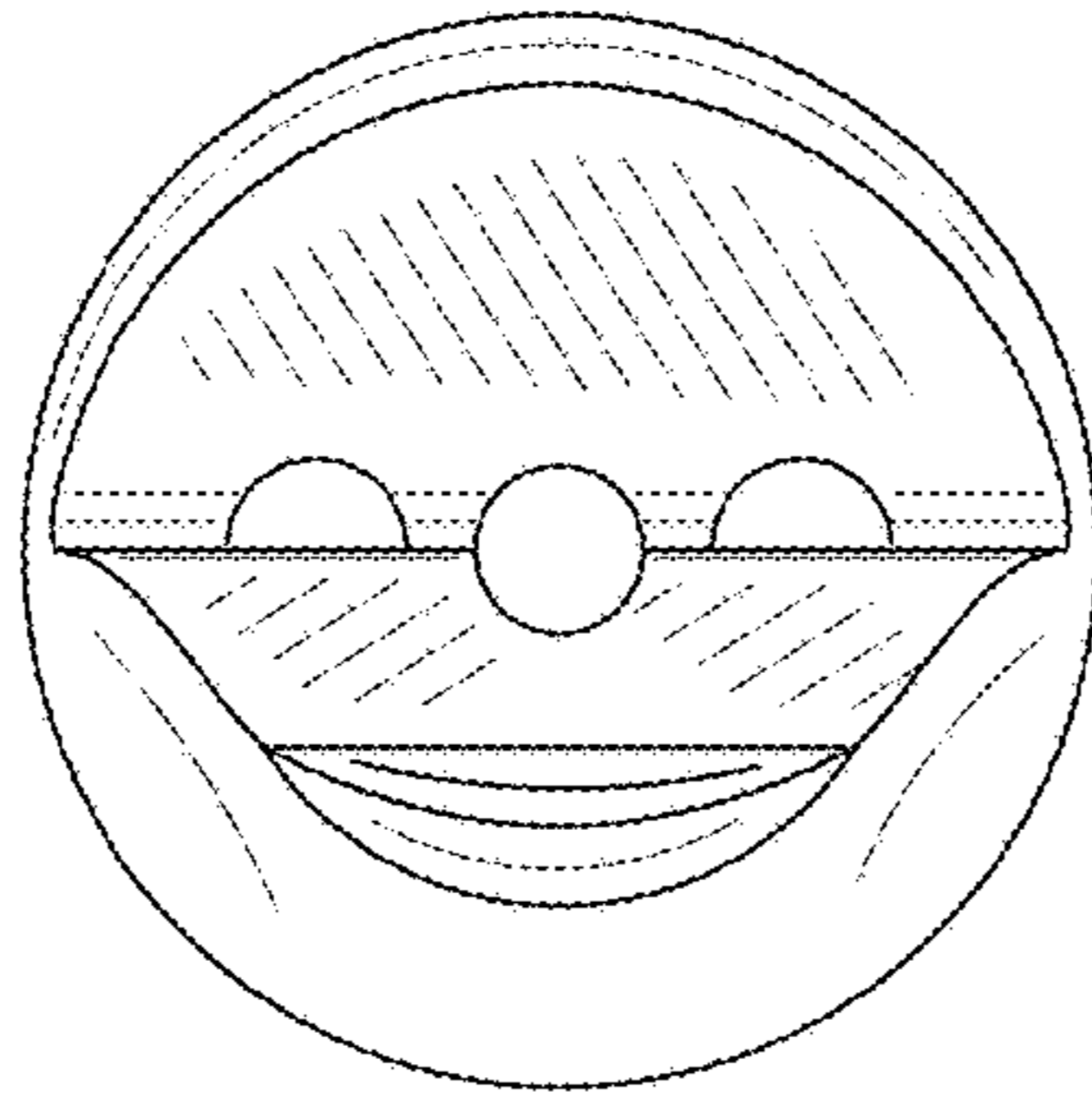


FIG. 6

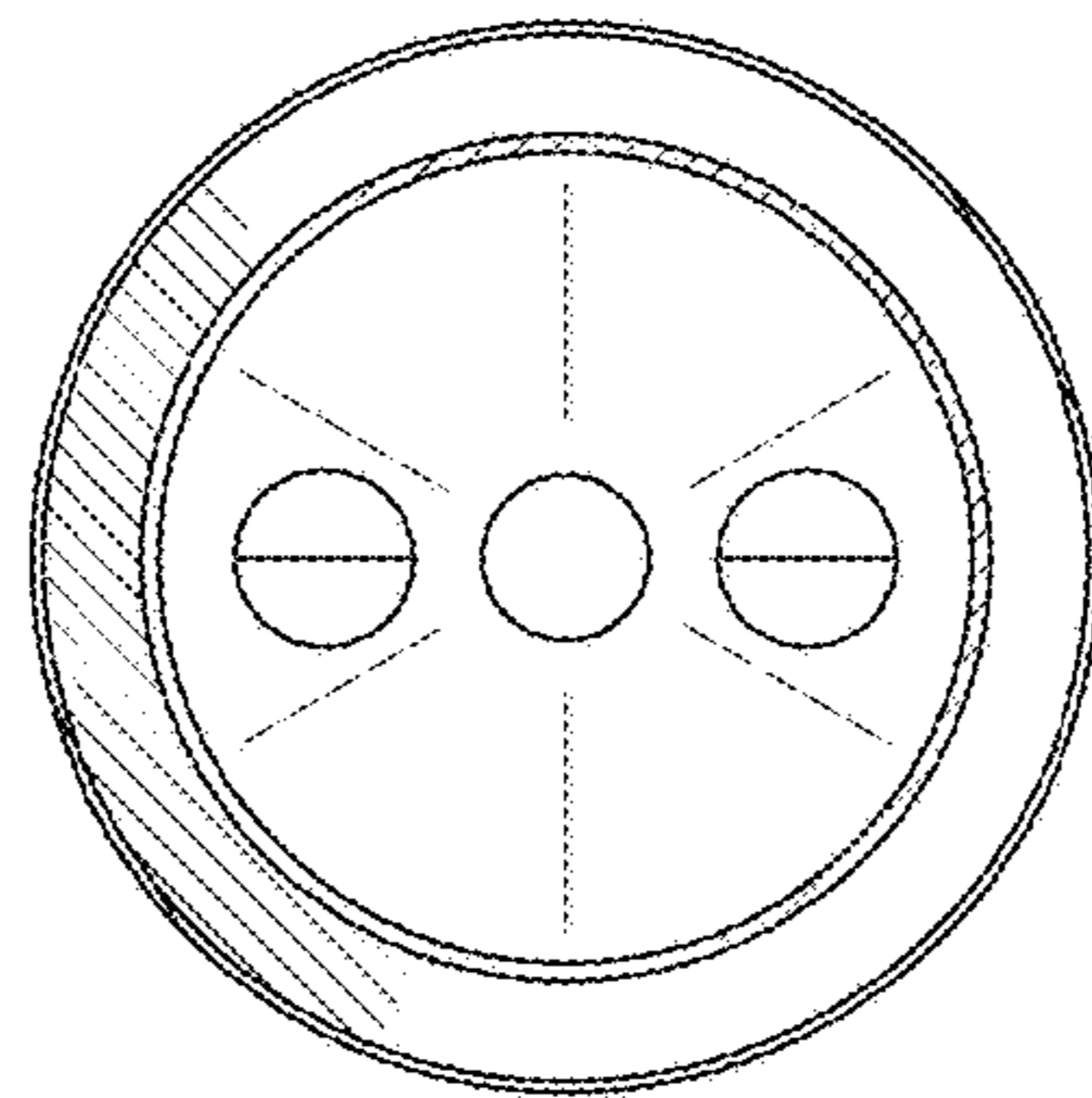


FIG. 7