



US00D863382S

(12) **United States Design Patent** (10) **Patent No.:** **US D863,382 S**  
**Abe et al.** (45) **Date of Patent:** **\*\* Oct. 15, 2019**

(54) **CUTTING TOOL**

(71) Applicant: **SUMITOMO ELECTRIC HARDMETAL CORP.**, Itami-shi (JP)

(72) Inventors: **Makoto Abe**, Willich (DE); **Christoph Zeiner**, Willich (DE)

(73) Assignee: **SUMITOMO ELECTRIC HARDMETAL CORP.**, Itami-Shi (JP)

(\*\*) Term: **15 Years**

(21) Appl. No.: **29/601,932**

(22) Filed: **Apr. 27, 2017**

(30) **Foreign Application Priority Data**

Oct. 28, 2016 (JP) ..... 2016-023515  
Oct. 28, 2016 (JP) ..... 2016-023516

(51) **LOC (12) Cl.** ..... **15-03**

(52) **U.S. Cl.**  
USPC ..... **D15/139**

(58) **Field of Classification Search**  
USPC ..... D15/124-144; D8/70, 90, 98, 120  
CPC ..... B23C 2200/0411; B23C 2200/0416; B23C 2200/0433; B23C 2200/164; B23C 2200/361; B23C 2210/0457; B23C 5/006; B23C 2200/168; B23C 2210/163; B23C 2226/125; B23C 5/10; B23C 2200/081; B23C 2200/087; B23C 2200/161; B23C 2200/206; B23C 2210/02; B23C 2210/03; B23C 2210/166; B23C 2210/50; B23C 2226/315; B23C 5/2208; B23C 5/2472; B23C 2200/0477; B23C 2200/0483; B23C 2200/083; B23C 2200/121; B23C 2200/362; B23C 2210/0428; B23C

(Continued)

(56) **References Cited**

U.S. PATENT DOCUMENTS

3,548,473 A \* 12/1970 Stein ..... B23B 27/002  
407/117  
D399,400 S \* 10/1998 Weber ..... D8/70

(Continued)

*Primary Examiner* — Khawaja Anwar

(74) *Attorney, Agent, or Firm* — Baker Botts L.L.P.;  
Michael S. Sartori

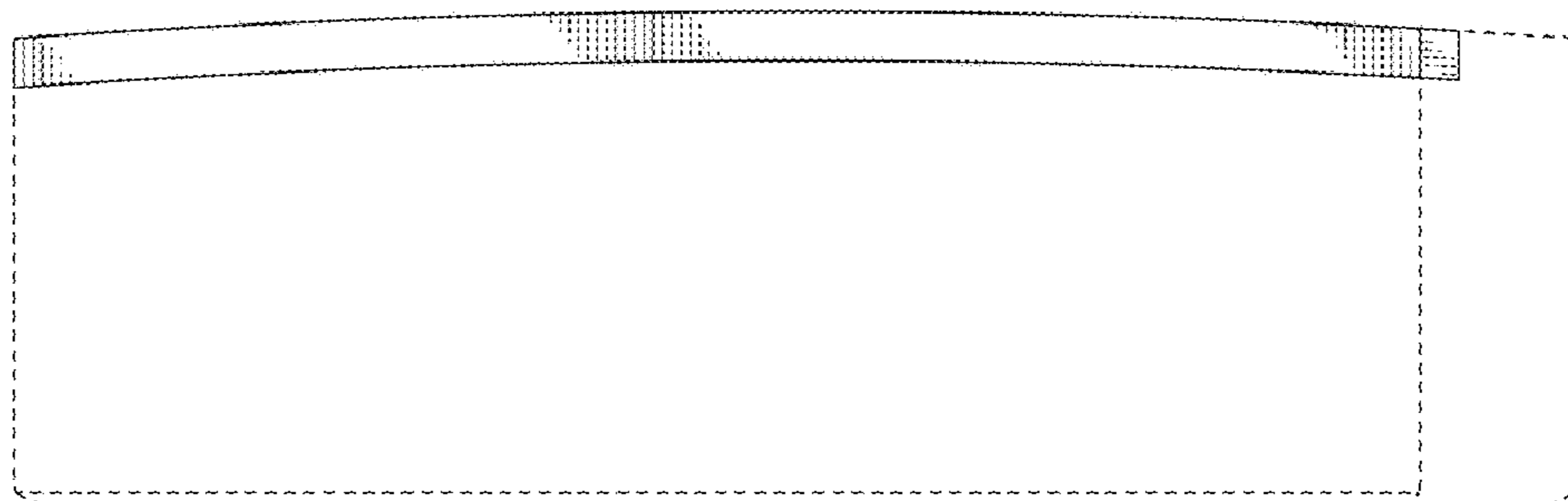
(57) **CLAIM**

The ornamental design for a cutting tool, as shown and described.

**DESCRIPTION**

FIG. 1 is a front view of a cutting tool of a first embodiment showing our new design;  
FIG. 2 is a rear view thereof;  
FIG. 3 is a top view thereof;  
FIG. 4 is a bottom view thereof;  
FIG. 5 is a right side view thereof;  
FIG. 6 is a left side view thereof;  
FIG. 7 is a first perspective view thereof;  
FIG. 8 is a second perspective view thereof;  
FIG. 9 is a referential view showing the state in use thereof;  
FIG. 10 is a front view of a cutting tool of a second embodiment showing our new design,  
FIG. 11 is a rear view thereof;  
FIG. 12 is a top view thereof;  
FIG. 13 is a bottom view thereof;  
FIG. 14 is a right side view thereof;  
FIG. 15 is a left side view thereof;  
FIG. 16 is a first perspective view thereof;  
FIG. 17 is a second perspective view thereof;  
FIG. 18 is a cross sectional view taken along 18-18 line of FIG. 10; and,  
FIG. 19 is a referential view showing the state in use thereof.

(Continued)



The broken lines shown in the drawings represent portions that form no part of the claimed design.

**1 Claim, 10 Drawing Sheets**

**(58) Field of Classification Search**

CPC .... 2210/0435; B23C 2210/16; B23C 2220/36;  
B23C 2220/44; B23C 2240/08; B23C  
2250/12; B23C 2270/06; B23C 5/2204;  
B23C 5/2213; B23C 5/2247; B23C  
5/2427; B23C 2200/0422; B23C 2200/08;  
B23C 2200/086; B23C 2200/123

See application file for complete search history.

**(56) References Cited**

U.S. PATENT DOCUMENTS

D444,486 S *	7/2001	Biller .....	D15/139
D772,317 S *	11/2016	Johnson .....	D15/139
D788,198 S *	5/2017	Zeiner .....	D15/139
D807,934 S *	1/2018	Abe .....	D15/138
D809,031 S *	1/2018	Burton .....	B28D 1/186
			D15/139
D814,537 S *	4/2018	Wu .....	D15/139
D831,084 S *	10/2018	Abe .....	D15/139

\* cited by examiner

FIG.1

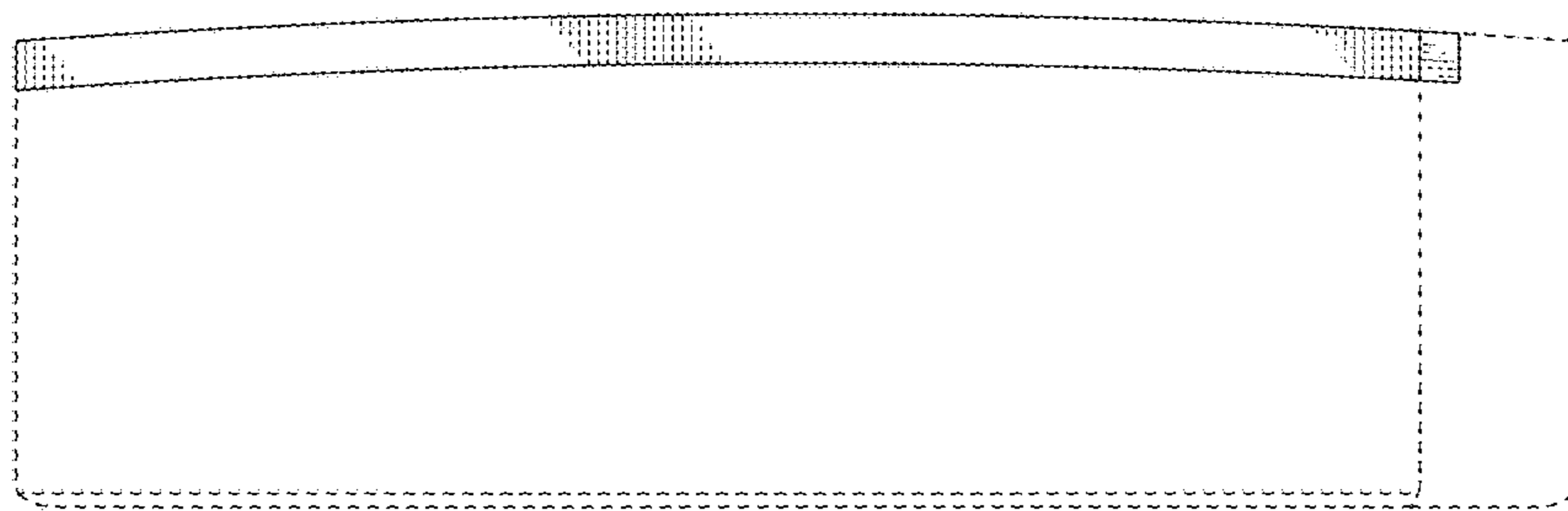


FIG.2

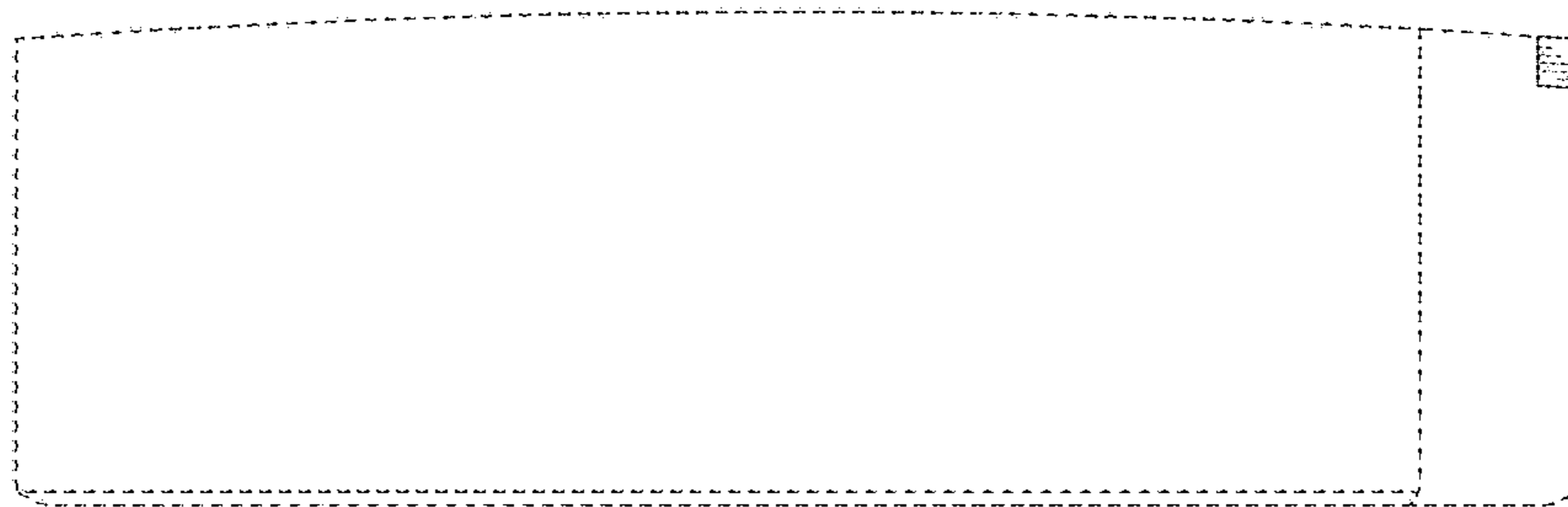


FIG.3

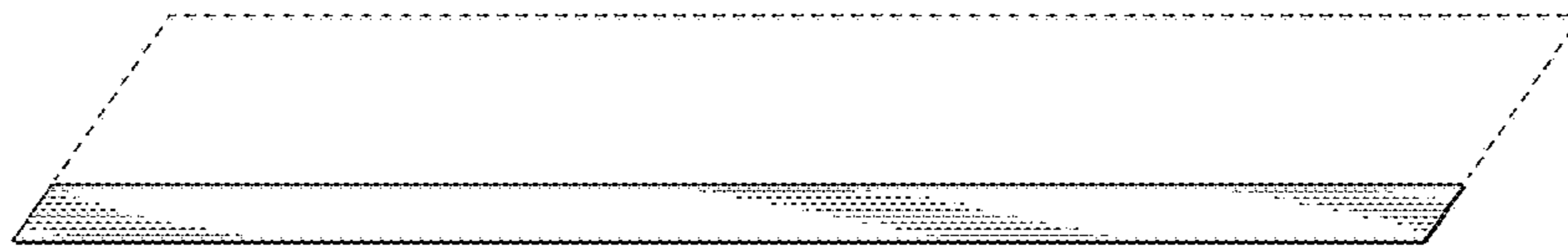


FIG.4

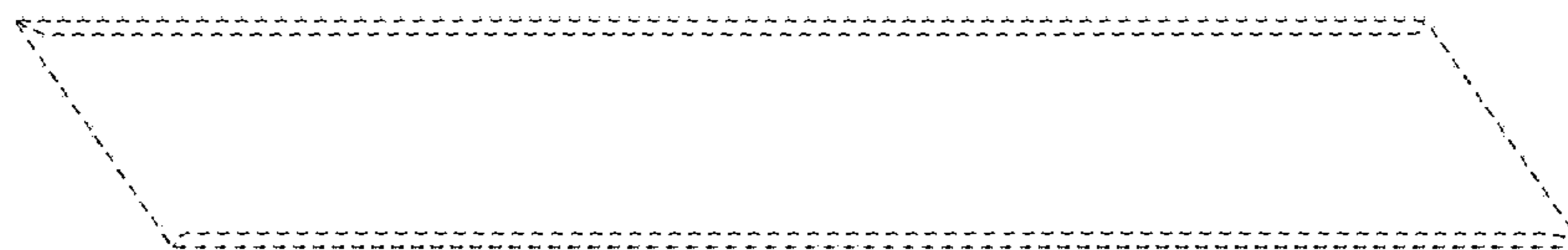


FIG.5

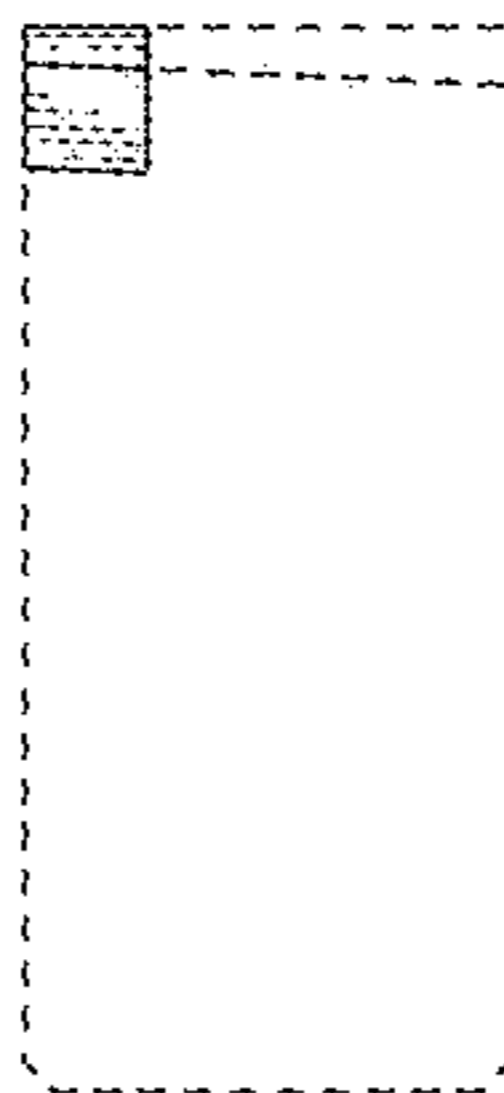


FIG.6

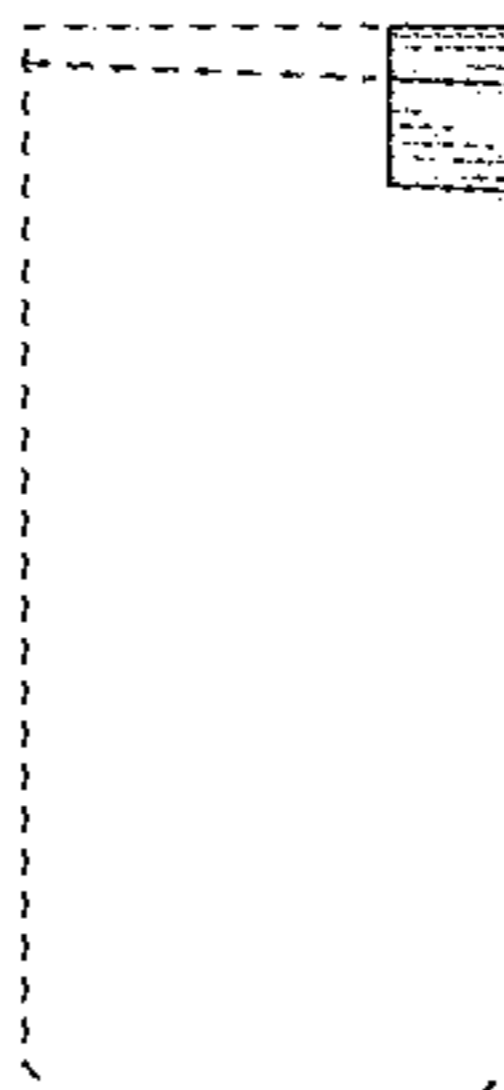


FIG.7

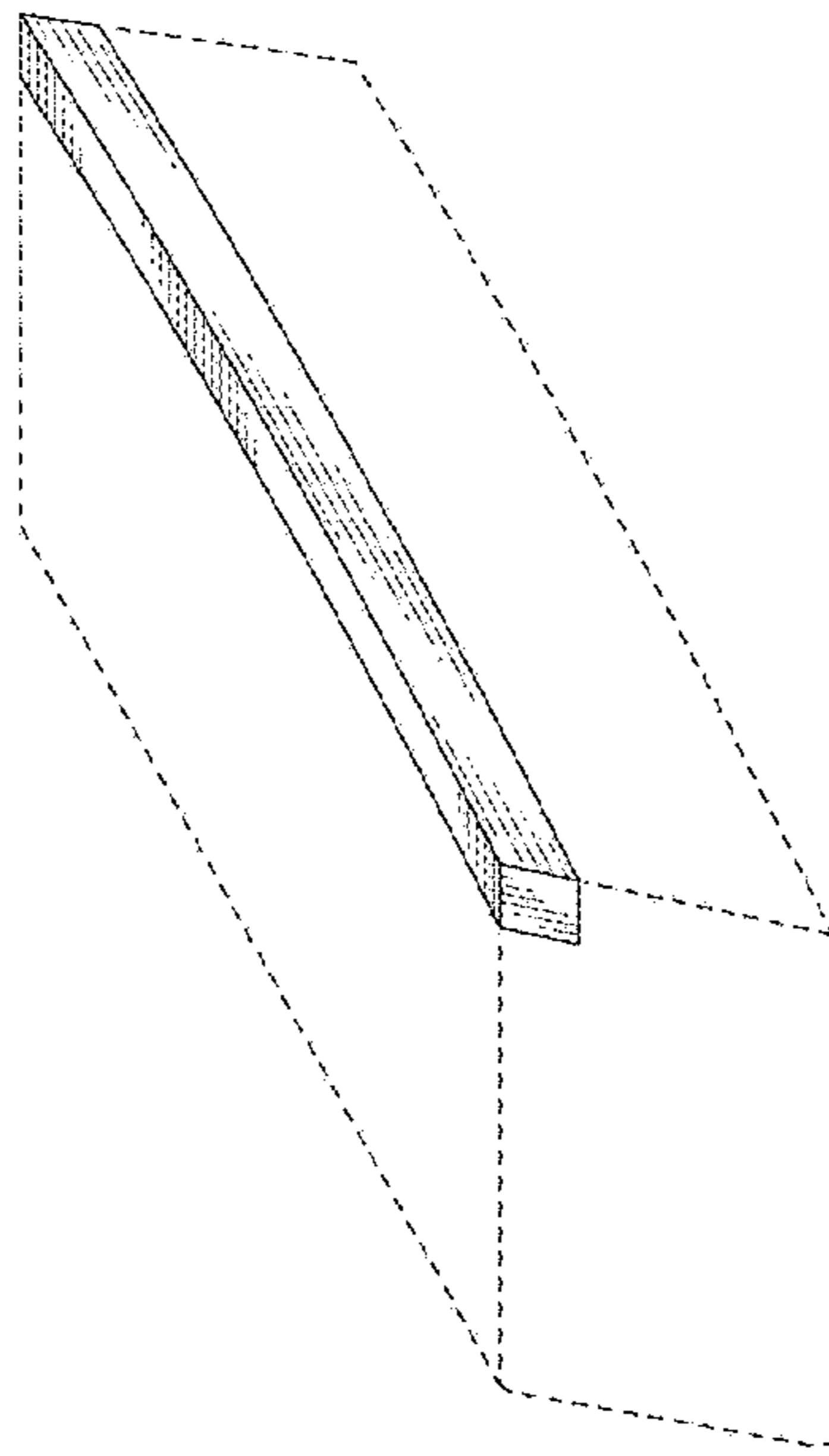


FIG.8

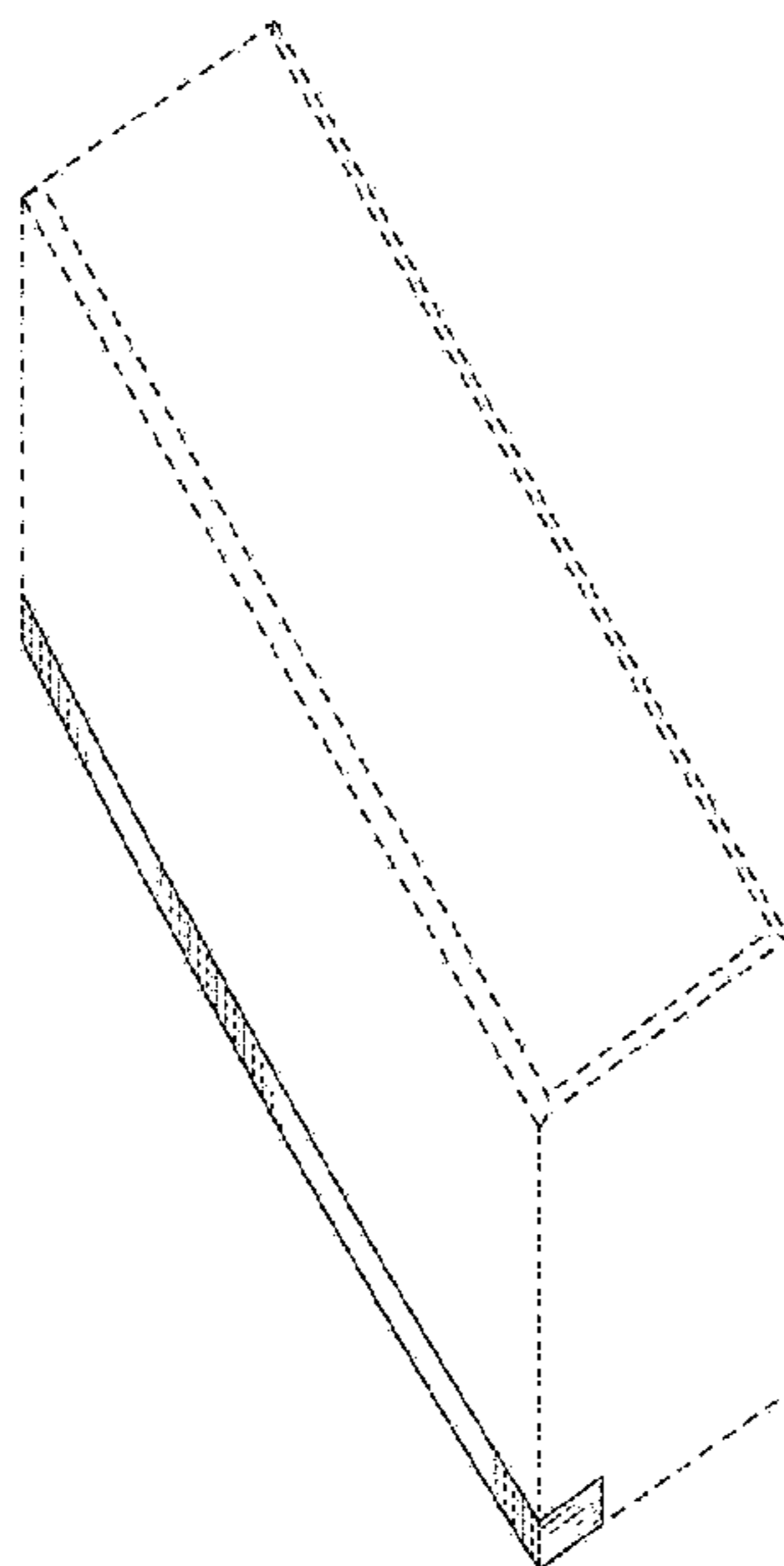


FIG.9

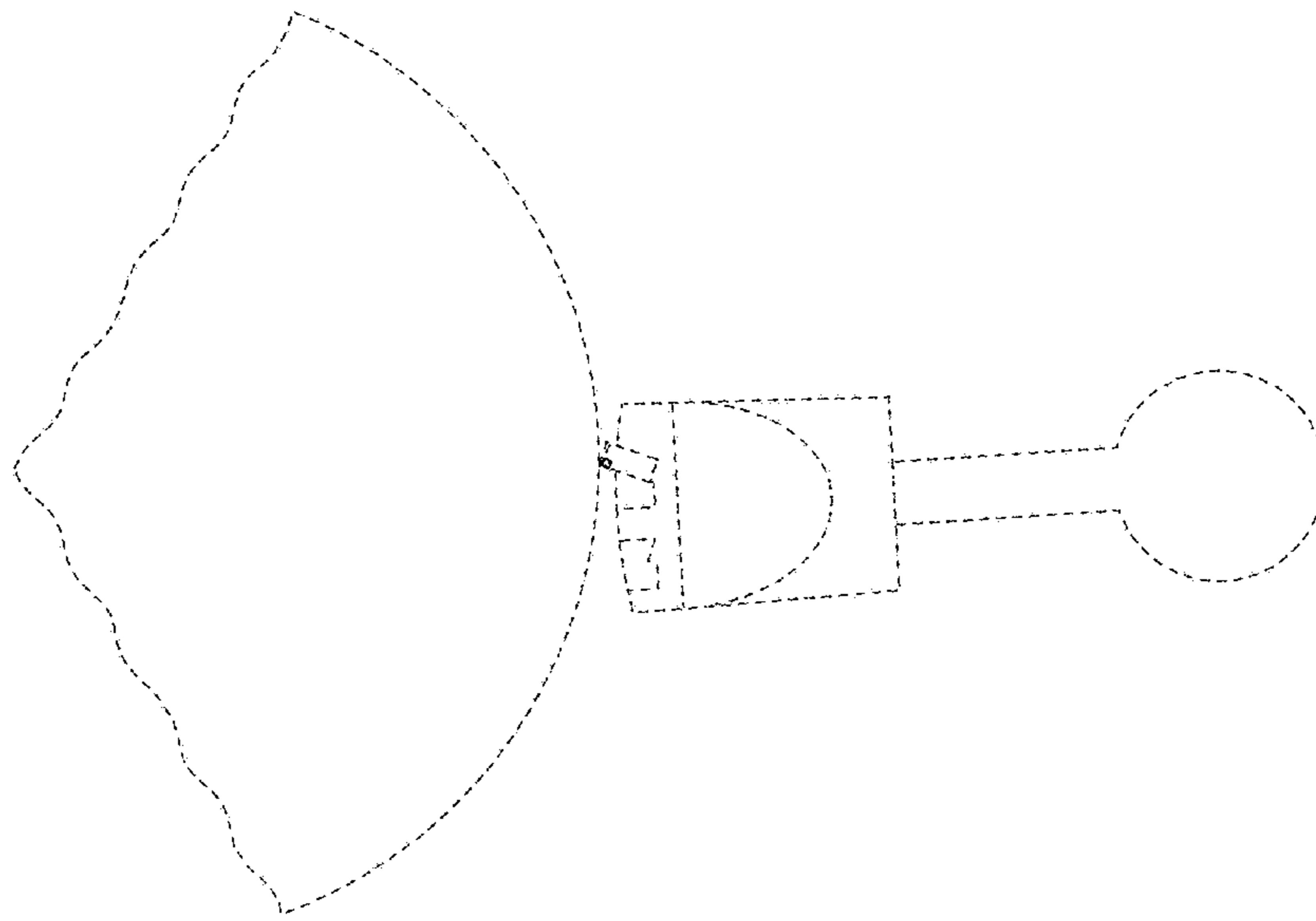


FIG.10

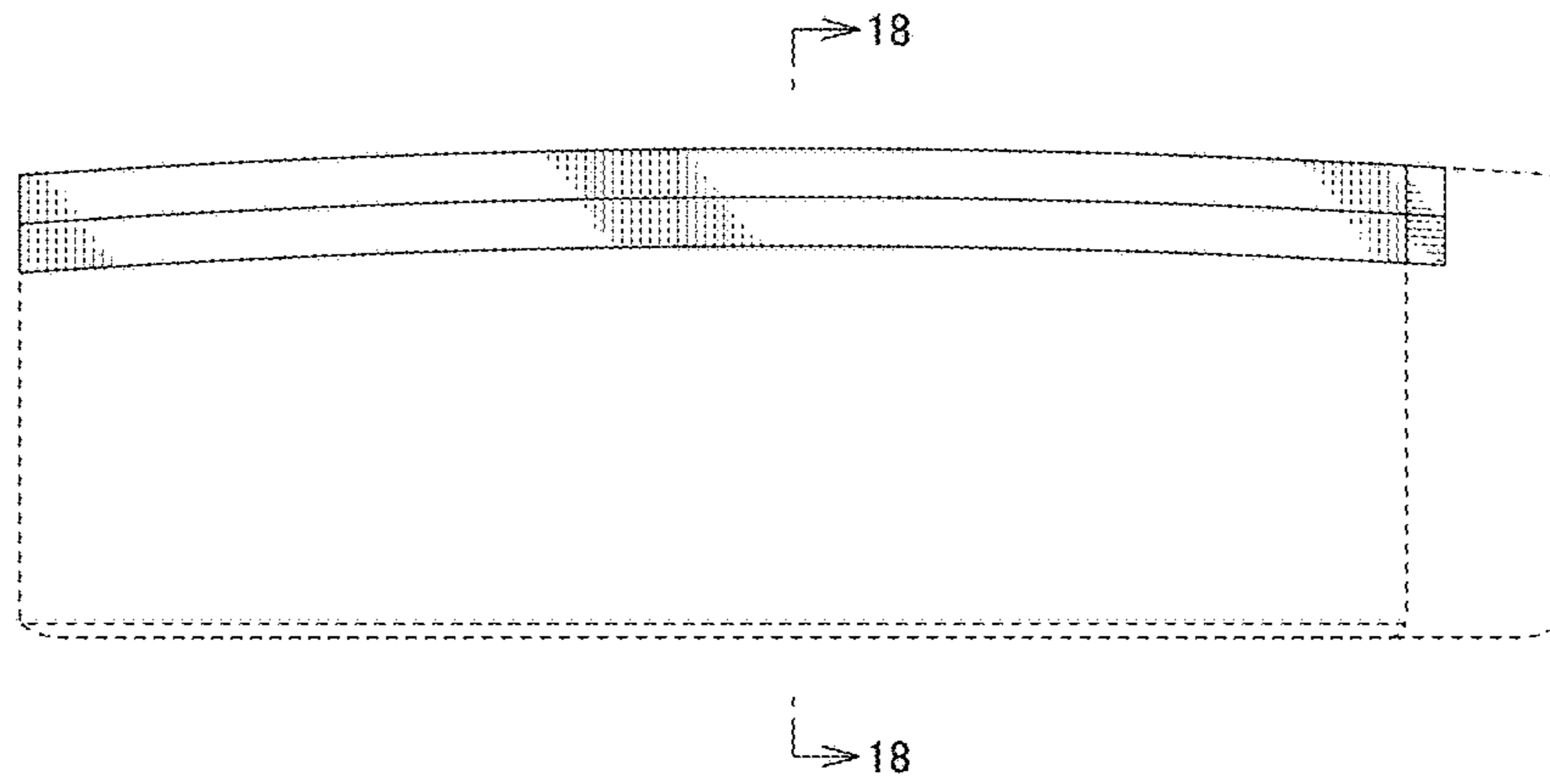


FIG.11

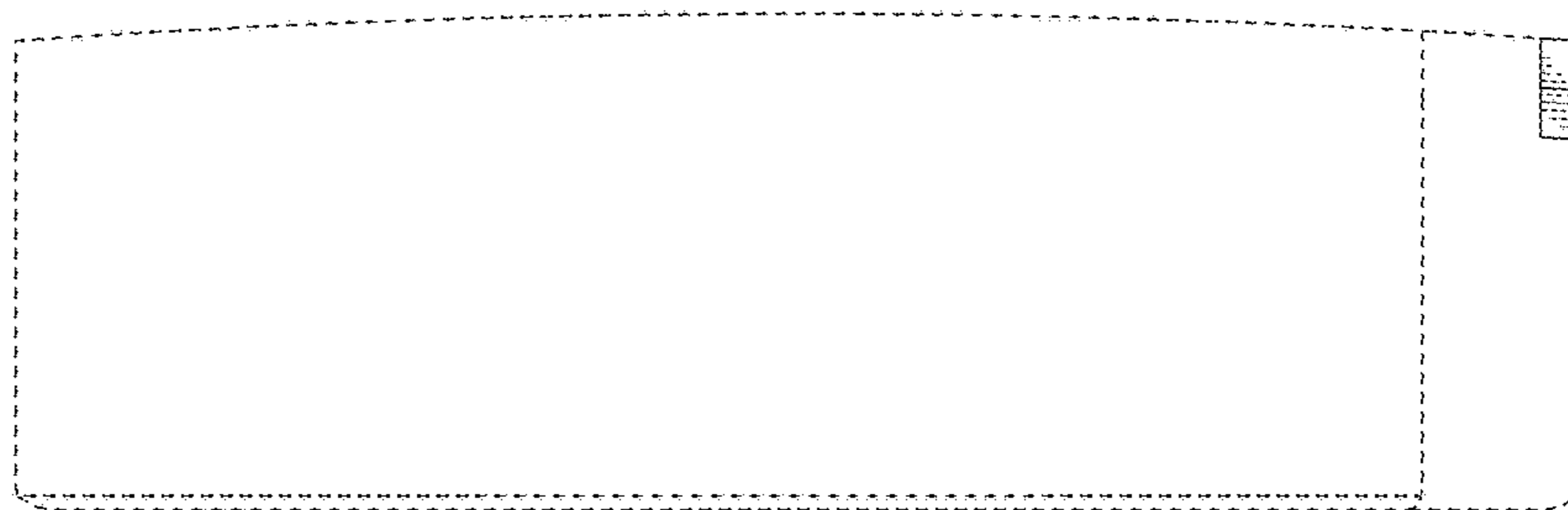




FIG.12

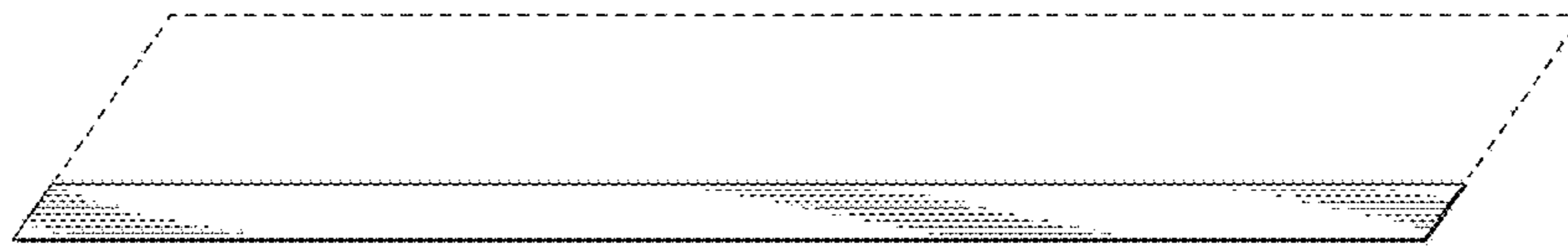


FIG.13

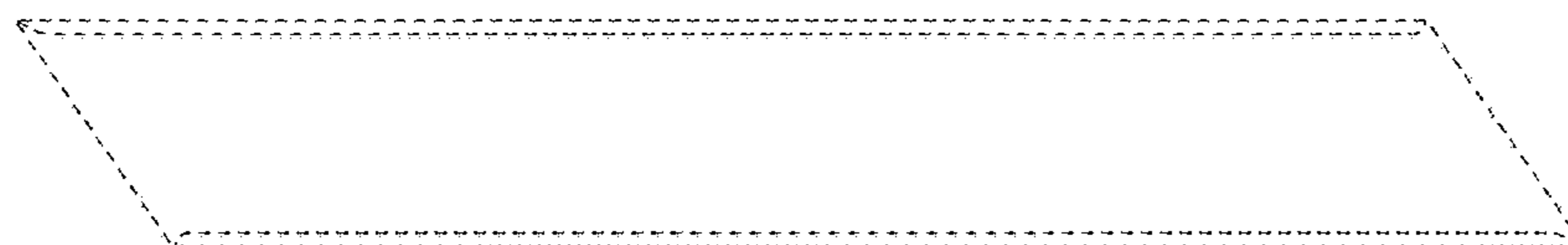


FIG.14

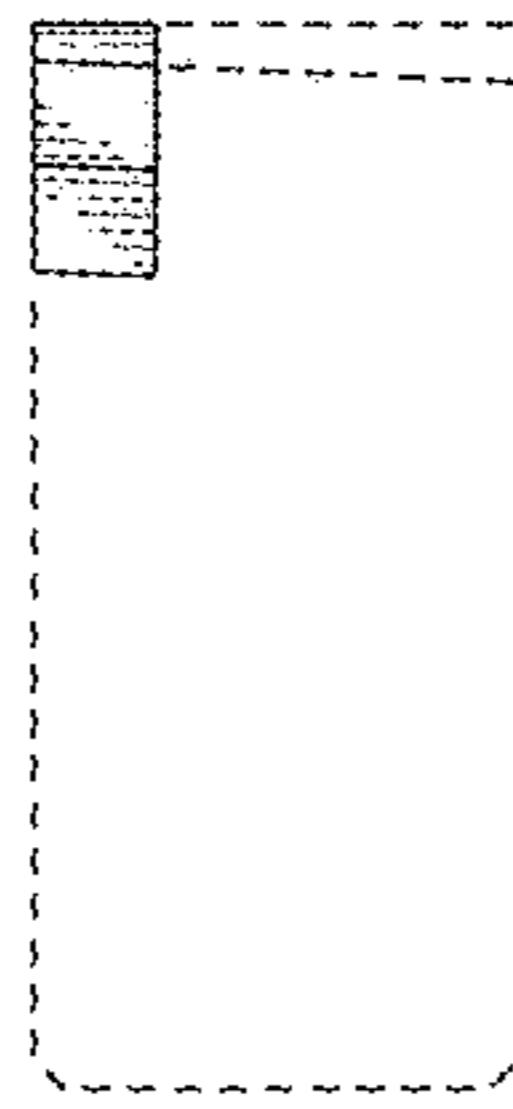


FIG.15

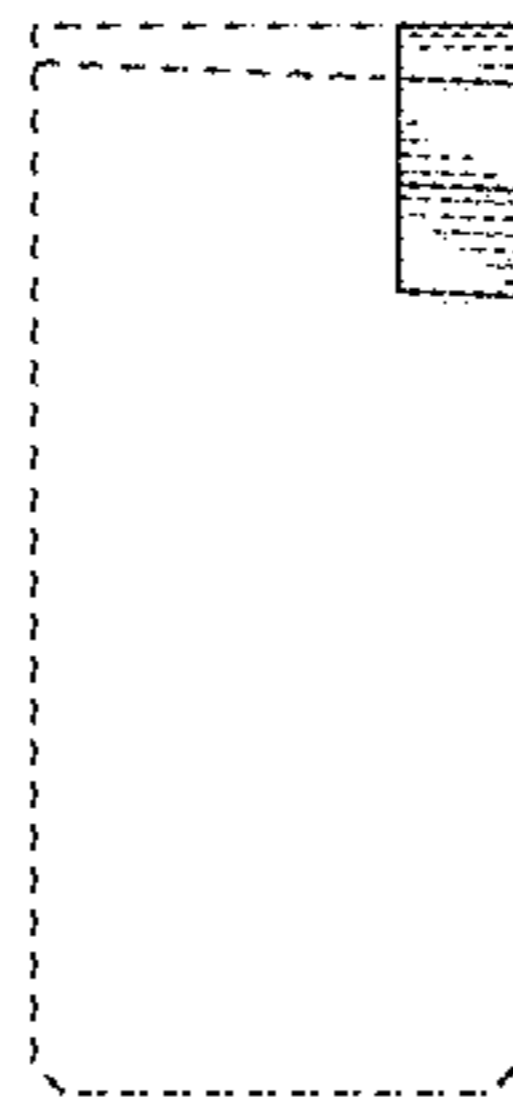


FIG.16

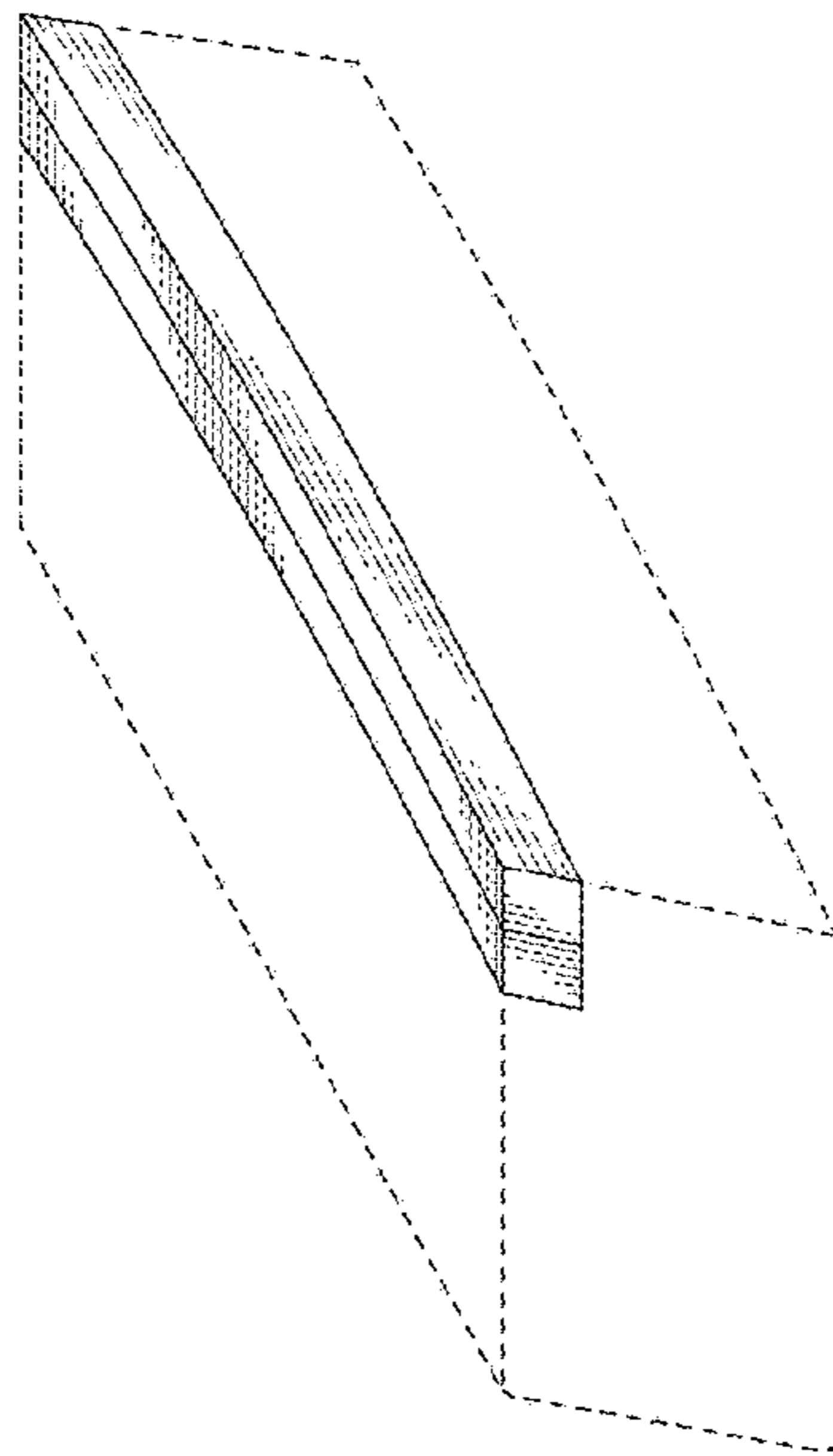


FIG.17

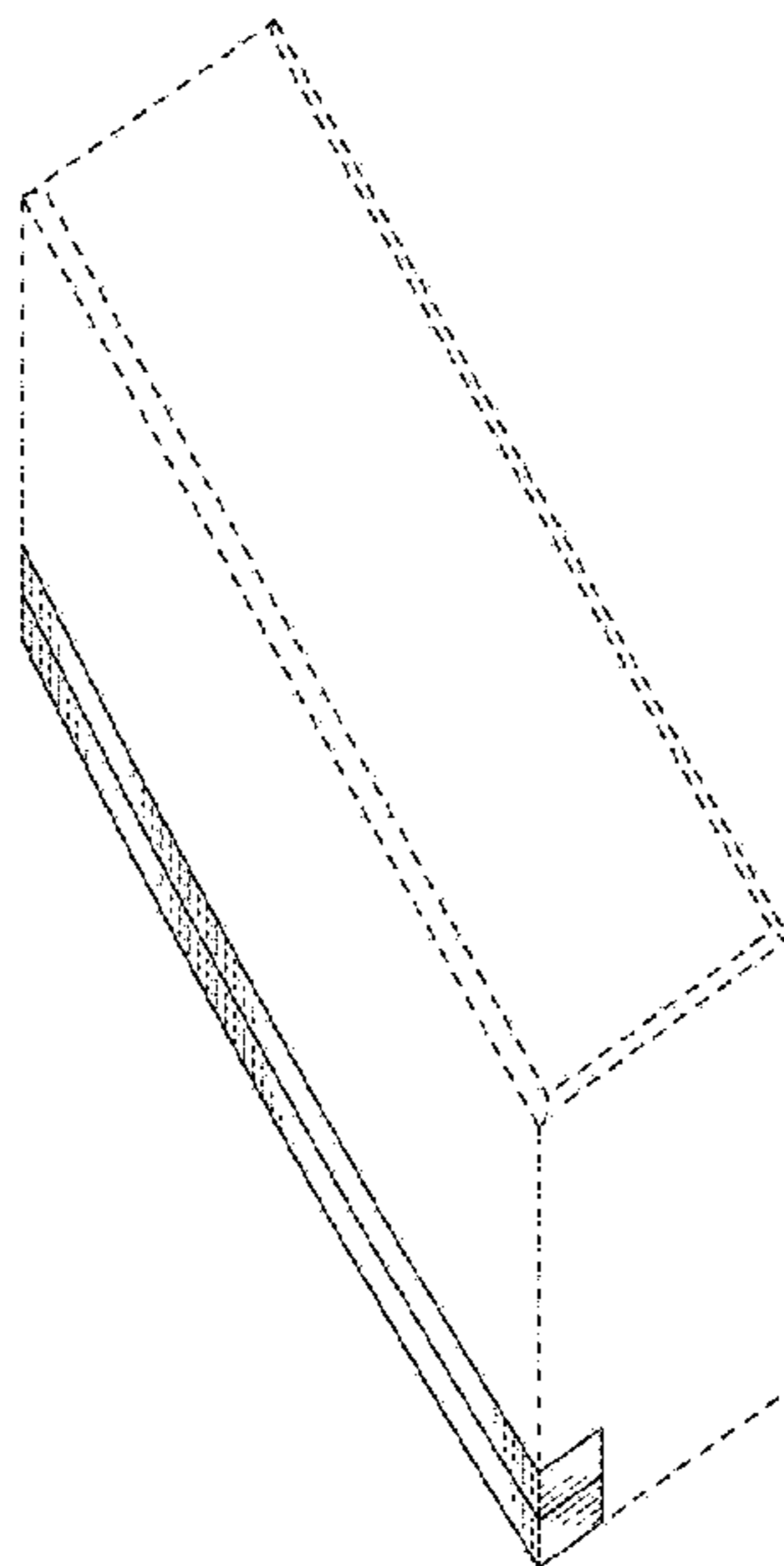


FIG.18

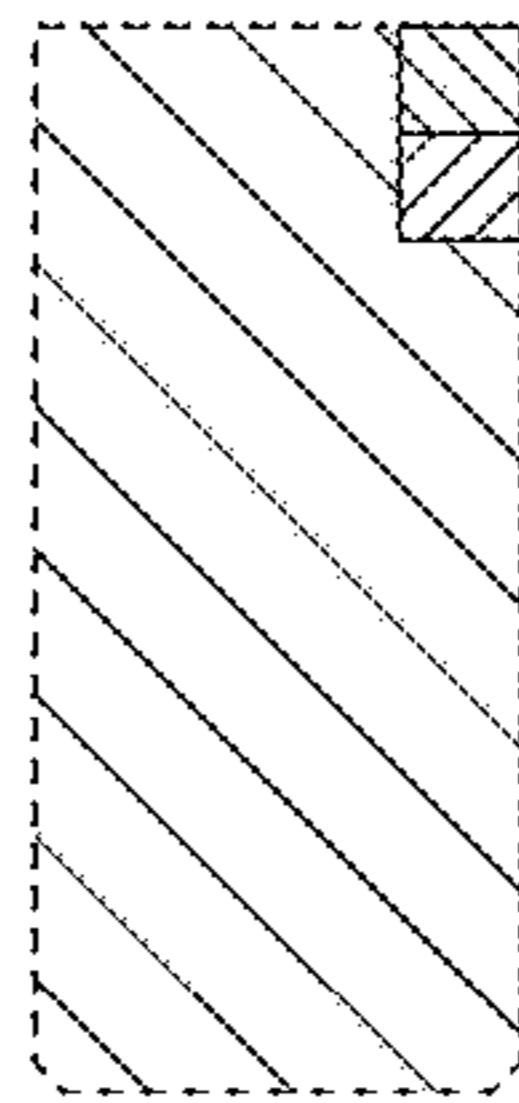


FIG.19

