



US00D863381S

(12) **United States Design Patent**  
**Sato et al.**

(10) **Patent No.:** **US D863,381 S**  
(45) **Date of Patent:** **\*\* Oct. 15, 2019**

- (54) **SCROLL MEMBER OF SCROLL FLUID MACHINE**
- (71) Applicant: **mitsubishi heavy industries thermal systems, ltd.**, Tokyo (JP)
- (72) Inventors: **Hajime Sato**, Tokyo (JP); **Yoshiyuki Kimata**, Tokyo (JP); **Takahide Ito**, Tokyo (JP)
- (73) Assignee: **mitsubishi heavy industries thermal systems, ltd.**, Tokyo (JP)

- (\*\*) Term: **15 Years**
- (21) Appl. No.: **29/595,470**
- (22) Filed: **Feb. 28, 2017**

- (30) **Foreign Application Priority Data**  
Aug. 31, 2016 (JP) ..... 2016-018714
- (51) **LOC (12) Cl.** ..... **15-09**
- (52) **U.S. Cl.**  
USPC ..... **D15/138**
- (58) **Field of Classification Search**  
USPC ..... D15/7-9, 138, 147; D23/231, 232, 225  
CPC ..... F04C 18/0215; F04C 18/0276; F04C 2230/00  
See application file for complete search history.

- (56) **References Cited**  
**U.S. PATENT DOCUMENTS**  
D258,589 S \* 3/1981 Sugiura ..... D15/7  
4,648,814 A \* 3/1987 Shiibayashi ..... F04C 29/0007  
418/55.6  
4,652,363 A \* 3/1987 Miller ..... B04C 5/02  
209/734

(Continued)

**FOREIGN PATENT DOCUMENTS**

- EP 2 740 938 A1 6/2014
  - JP 2009299498 \* 12/2000
- (Continued)

**OTHER PUBLICATIONS**

“Piston manufacturer supporting clean engines with its leading-edge technology”, p. 3, JPO Design Division Public Document No. HN1302460400, Nov. 26, 2001, total 3 pages.

(Continued)

*Primary Examiner* — Patricia A Palasik  
(74) *Attorney, Agent, or Firm* — Birch, Stewart, Kolasch & Birch, LLP

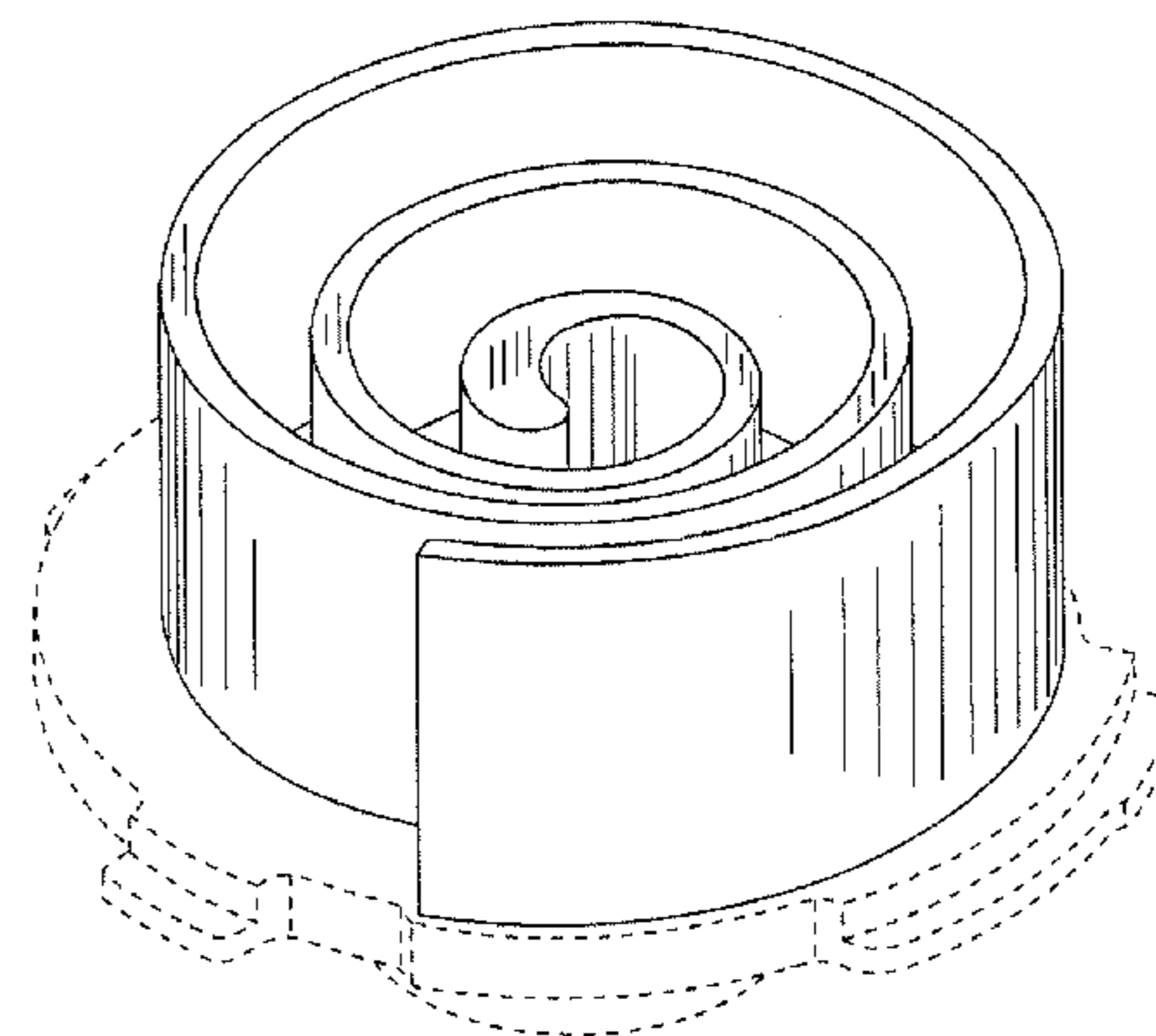
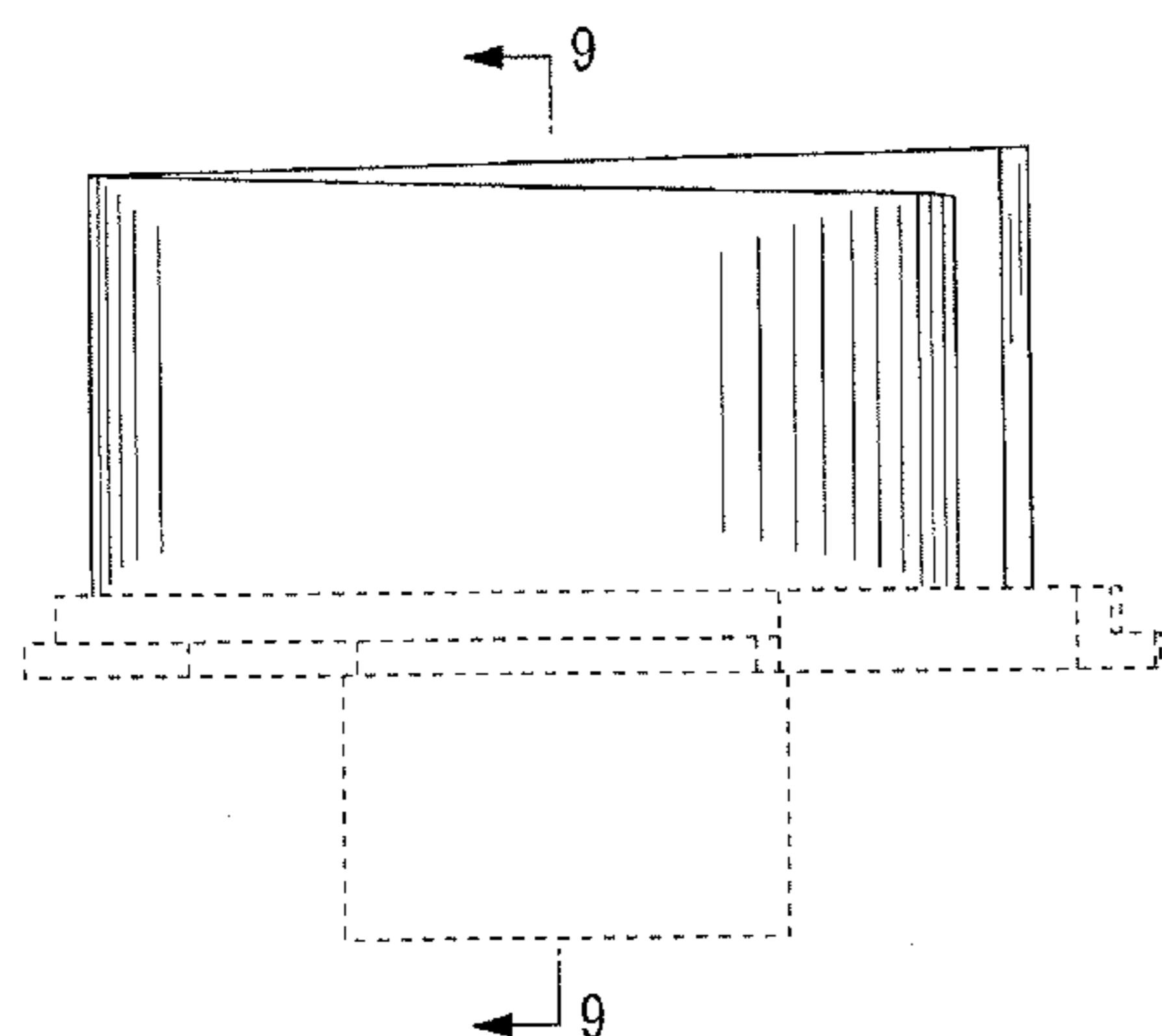
(57) **CLAIM**

The ornamental design for a scroll member of a scroll fluid machine, as shown and described.

**DESCRIPTION**

FIG. 1 is a front view of a scroll member of a scroll fluid machine showing our new design; FIG. 2 is a rear view thereof; FIG. 3 is a top view thereof; FIG. 4 is a bottom view thereof; FIG. 5 is a right side view thereof; FIG. 6 is a left side view thereof; FIG. 7 is a perspective view thereof in the direction of arrow 7 of FIG. 3; FIG. 8 is a perspective view thereof in the direction of arrow 8 of FIG. 3; FIG. 9 is a sectional view along line 9-9 of FIG. 1; and, FIG. 10 is a sectional view along line 10-10 of FIG. 3. The broken lines in the drawings depict portions of the scroll member of scroll fluid machine which form no part of the claimed design.

**1 Claim, 5 Drawing Sheets**



(56)

References Cited

U.S. PATENT DOCUMENTS

5,037,279 A \* 8/1991 Suefuji ..... F04C 18/0269  
418/150  
5,295,808 A \* 3/1994 Machida ..... F04C 18/023  
417/366  
5,427,512 A \* 6/1995 Kohsokabe ..... F01C 1/0246  
418/150  
5,458,472 A \* 10/1995 Kobayashi ..... F04C 29/0021  
418/151  
5,624,247 A \* 4/1997 Nakamura ..... F04C 18/0215  
418/55.2  
5,775,888 A \* 7/1998 Sakamoto ..... F04C 18/0253  
418/101  
5,803,723 A \* 9/1998 Suefuji ..... F01C 17/063  
418/55.2  
D415,181 S \* 10/1999 Rogers ..... D15/147  
D415,182 S \* 10/1999 Rogers ..... D15/147  
6,210,137 B1 \* 4/2001 Kobayashi ..... F04C 2/32  
418/55.6  
6,224,357 B1 \* 5/2001 Komai ..... F01C 21/102  
418/55.2  
D443,281 S \* 6/2001 Sodergard ..... D15/7  
6,267,572 B1 \* 7/2001 Suefuji ..... F01C 17/063  
417/410.5  
D464,067 S \* 10/2002 Rogers ..... D15/147  
7,255,790 B2 \* 8/2007 Rogers ..... B04C 5/12  
209/715  
D583,391 S \* 12/2008 Metcalfe ..... D15/7  
D586,826 S \* 2/2009 Cantrill ..... D15/7  
D603,878 S \* 11/2009 Chu ..... D15/9  
D624,631 S \* 9/2010 Cantrill ..... D23/261  
D828,400 S \* 9/2018 Cinotti ..... D15/7  
2008/0101973 A1 \* 5/2008 Iwano ..... F04C 18/0215  
418/55.1

2008/0145253 A1 \* 6/2008 Uekawa ..... F01C 17/00  
418/55.3  
2008/0240957 A1 \* 10/2008 Yanagisawa ..... F04C 18/0215  
418/55.5  
2008/0304994 A1 \* 12/2008 Ohtahara ..... F04C 18/0215  
418/55.1  
2010/0303661 A1 12/2010 Kimata et al.  
2014/0119970 A1 \* 5/2014 Kobayashi ..... F04C 29/0028  
418/55.4  
2017/0209875 A1 \* 7/2017 MacLean ..... B01D 45/16  
2017/0232454 A1 \* 8/2017 Irvin, Sr. .... C02F 1/38  
210/512.1  
2018/0085761 A1 \* 3/2018 Dressler ..... B04C 5/04  
2018/0355722 A1 \* 12/2018 Watanabe ..... F01C 1/0215

FOREIGN PATENT DOCUMENTS

JP 2002-227782 A 8/2002  
JP 2006-192450 A 7/2006  
JP 2009-299498 A 12/2009  
JP 2013-36366 A 2/2013  
JP 2014-237300 A 12/2014

OTHER PUBLICATIONS

Office Action for JP 2016-018714 dated Feb. 7, 2017.  
Office Action for JP 2016-018715 dated Feb. 7, 2017.  
The Decision to Grant a Patent has been received for JP 2016-018714 dated Feb. 7, 2017.  
The Decision to Grant a Patent has been received for JP 2016-018715 dated Feb. 7, 2017.  
U.S. Appl. No. 29/595,512, filed Feb. 28, 2017.

\* cited by examiner

Figure 1

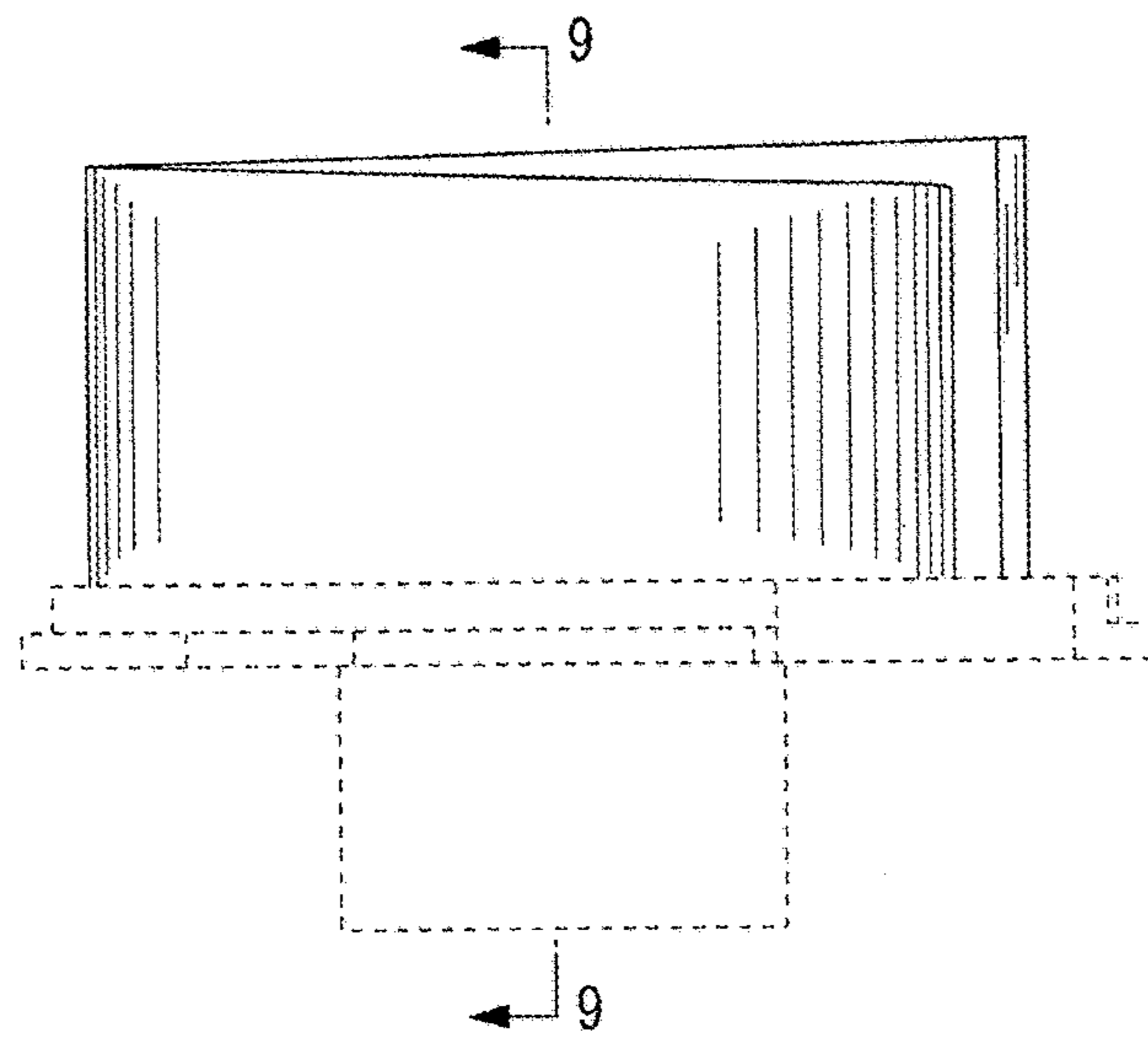


Figure 2

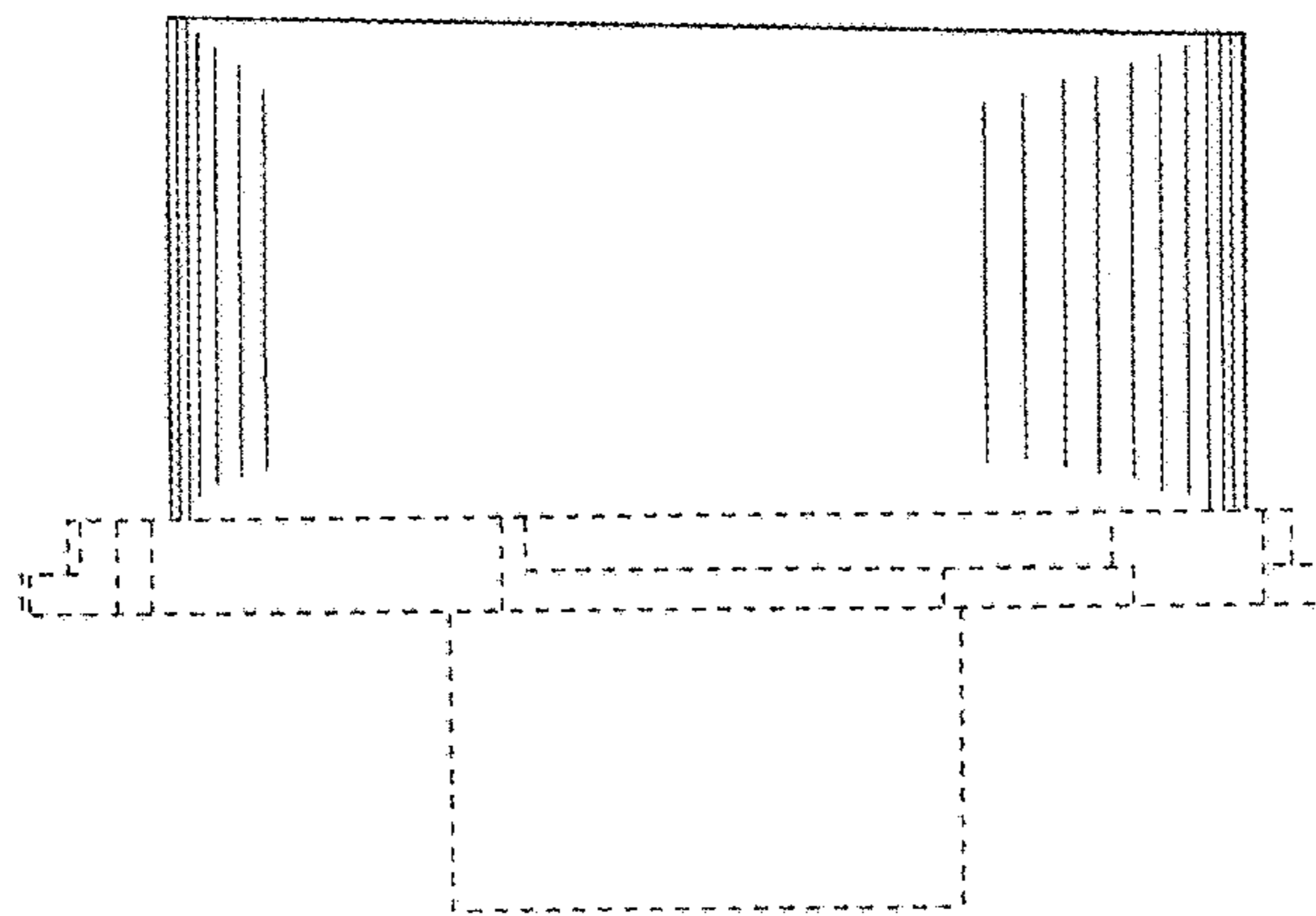


Figure 3

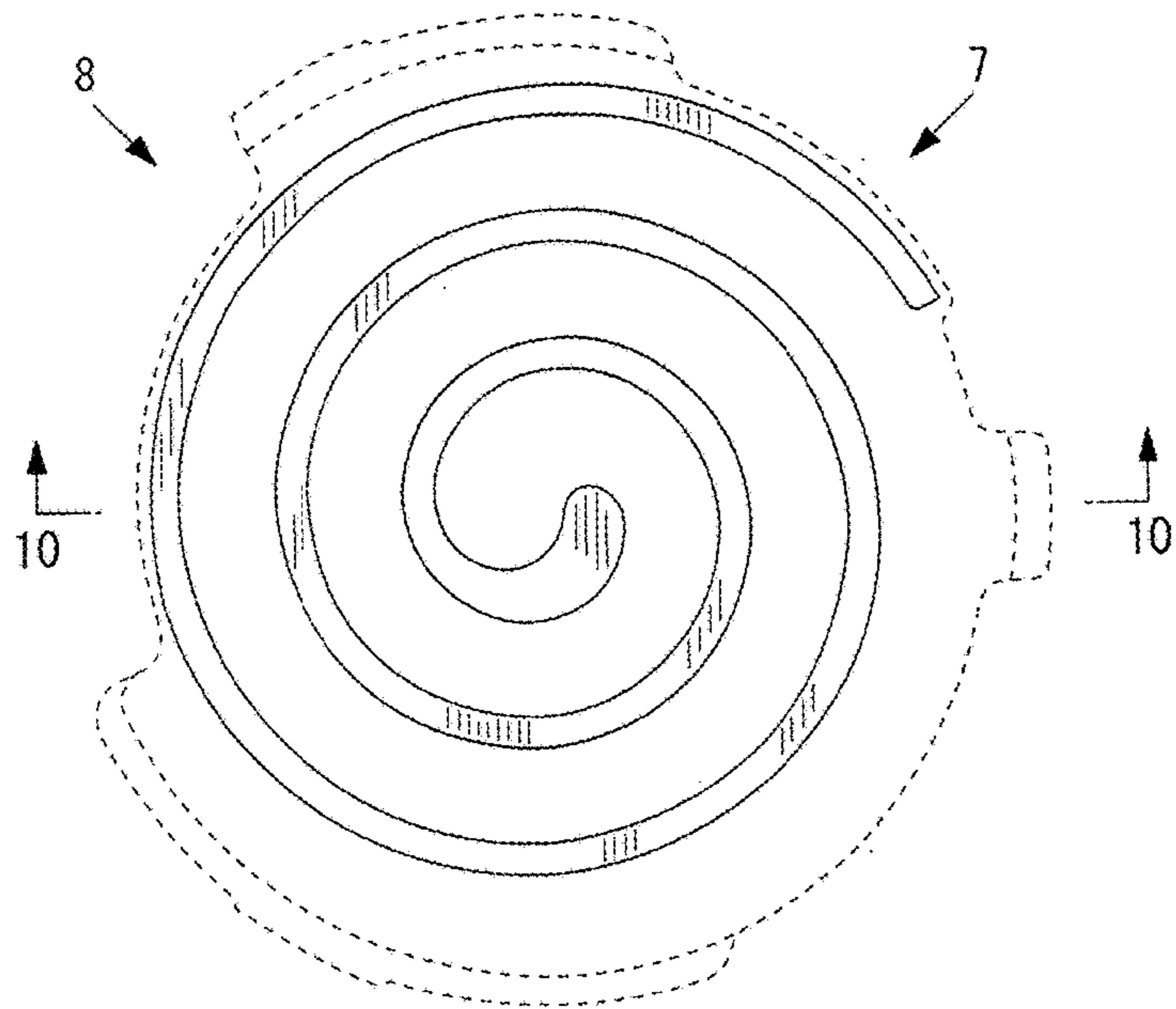


Figure 4

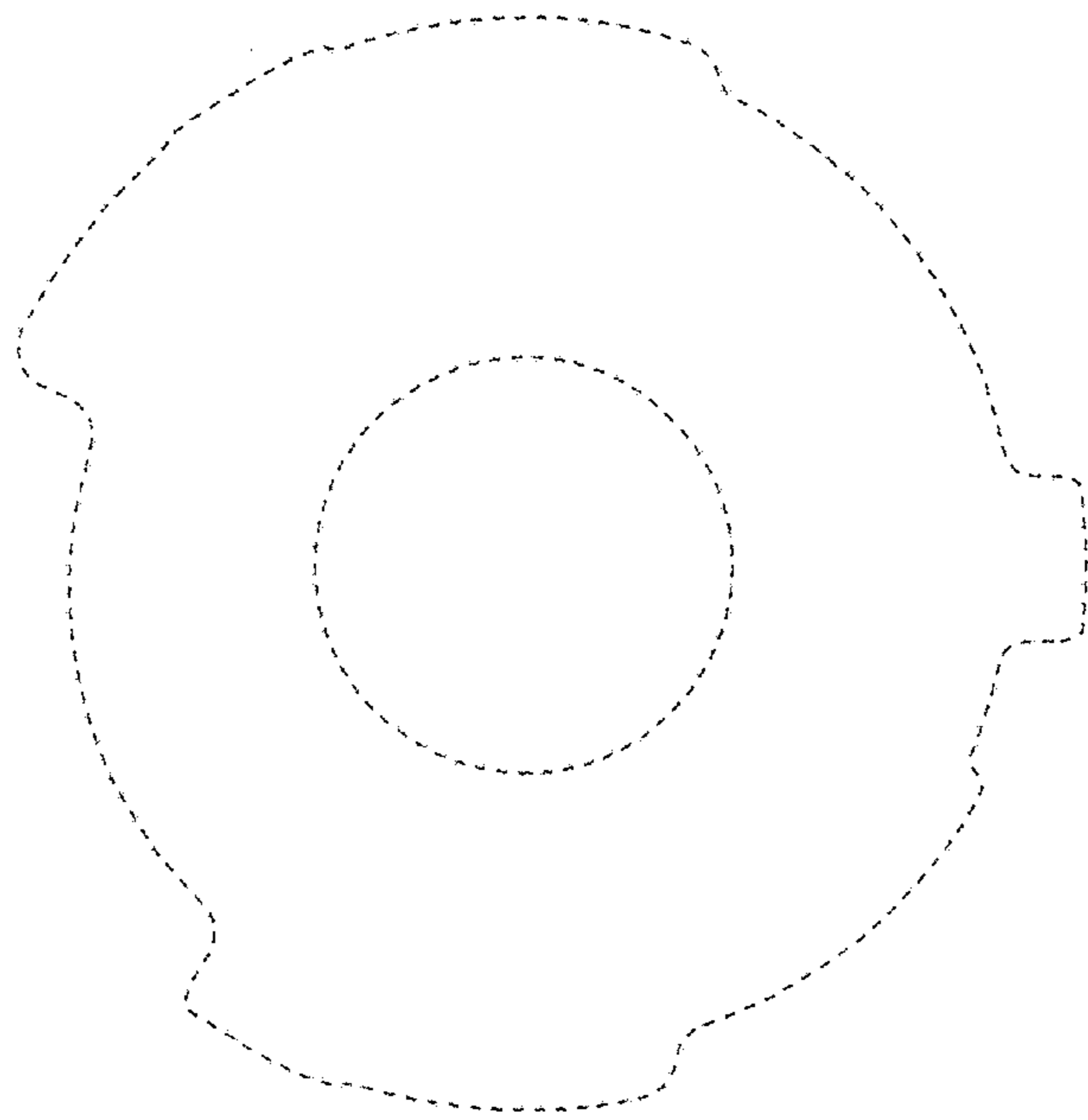


Figure 5

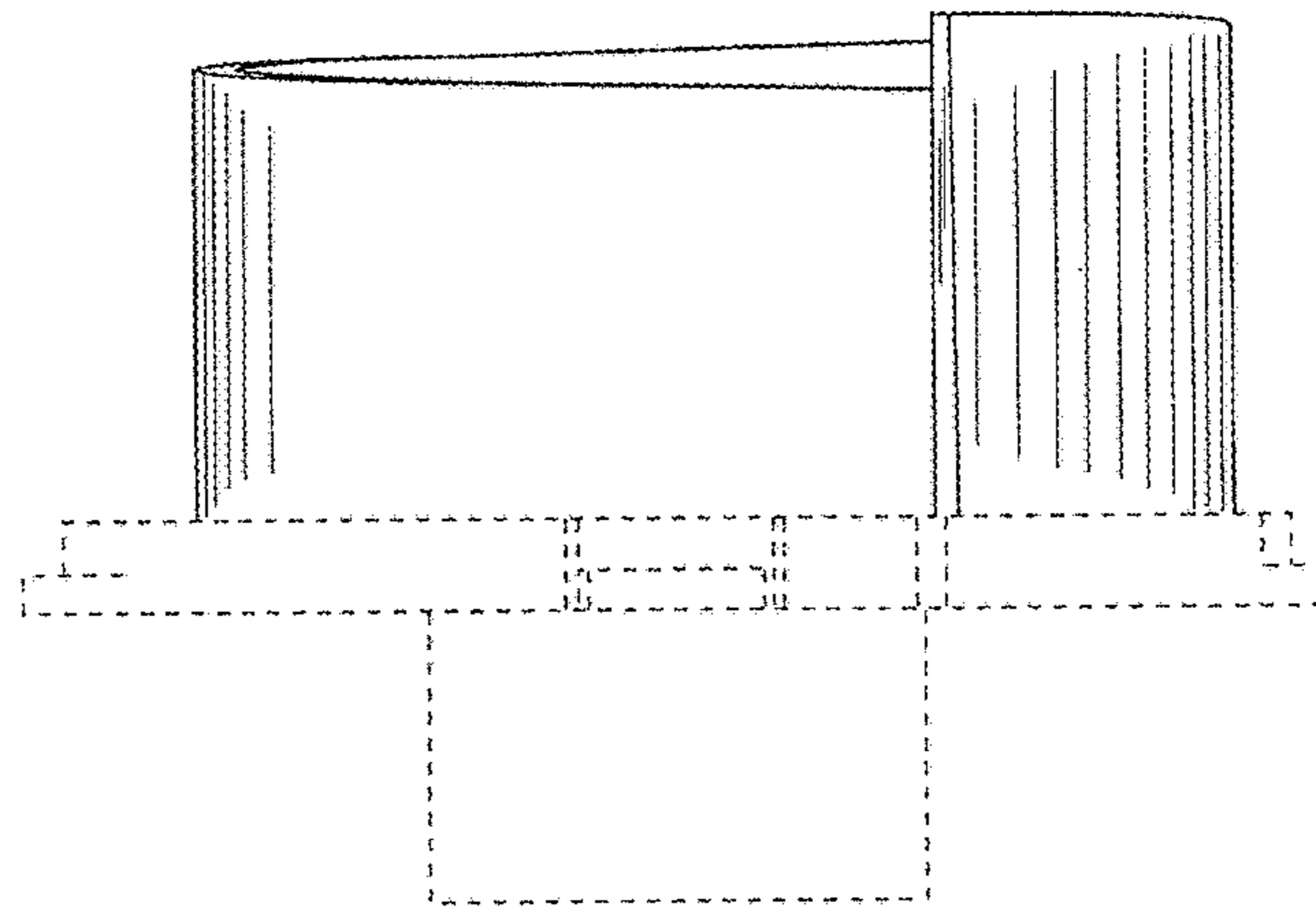


Figure 6

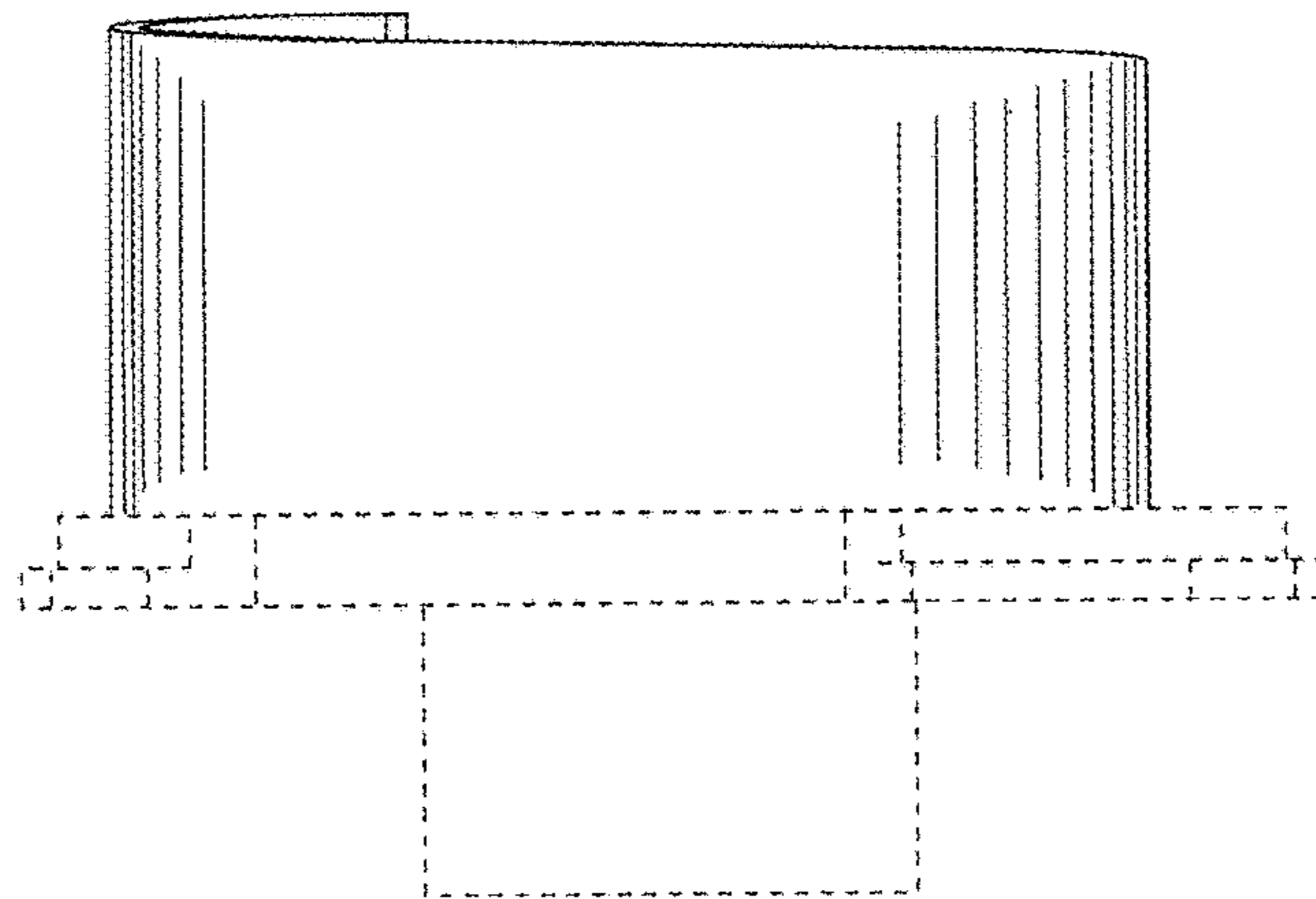


Figure 7

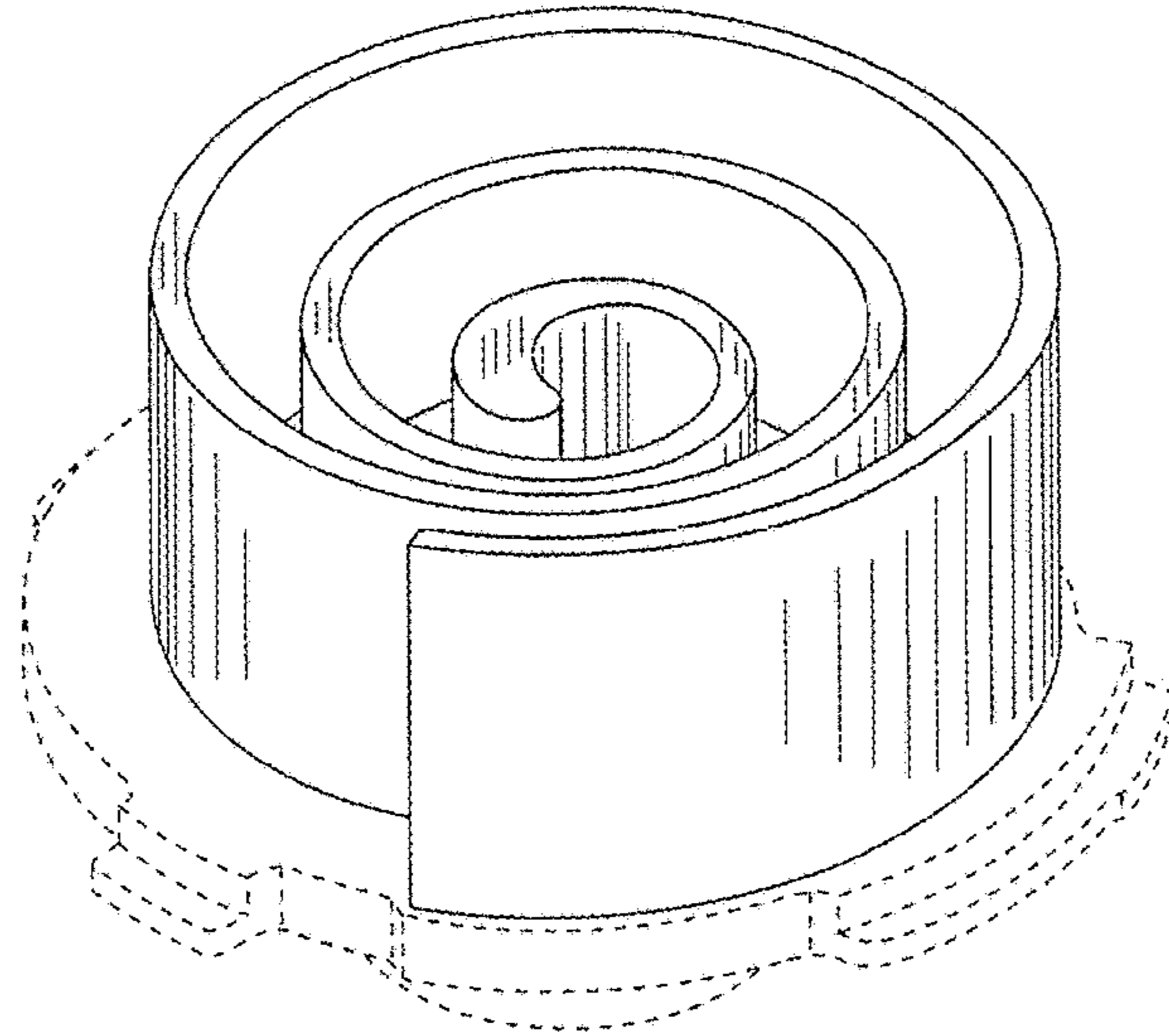


Figure 8

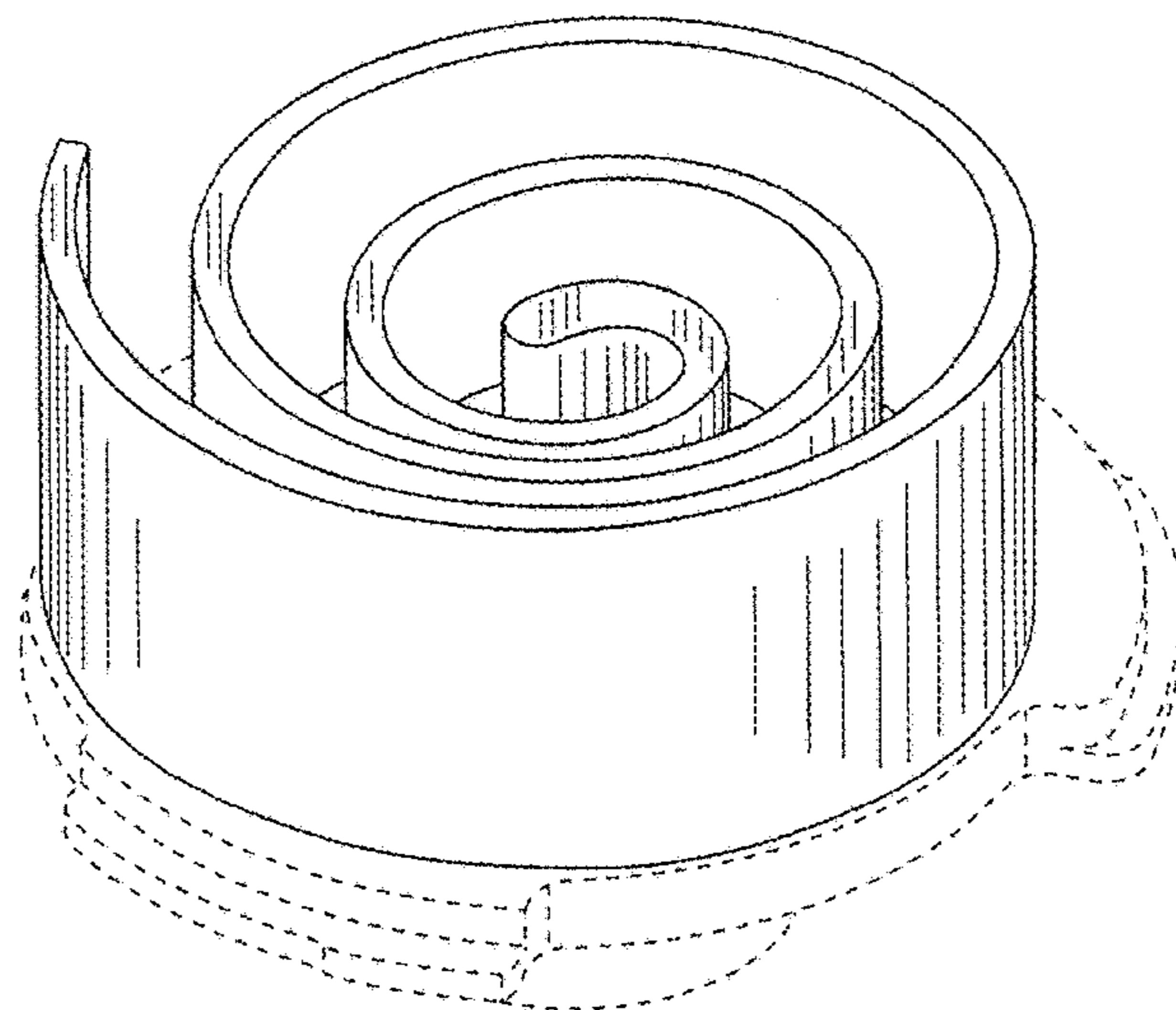


Figure 9

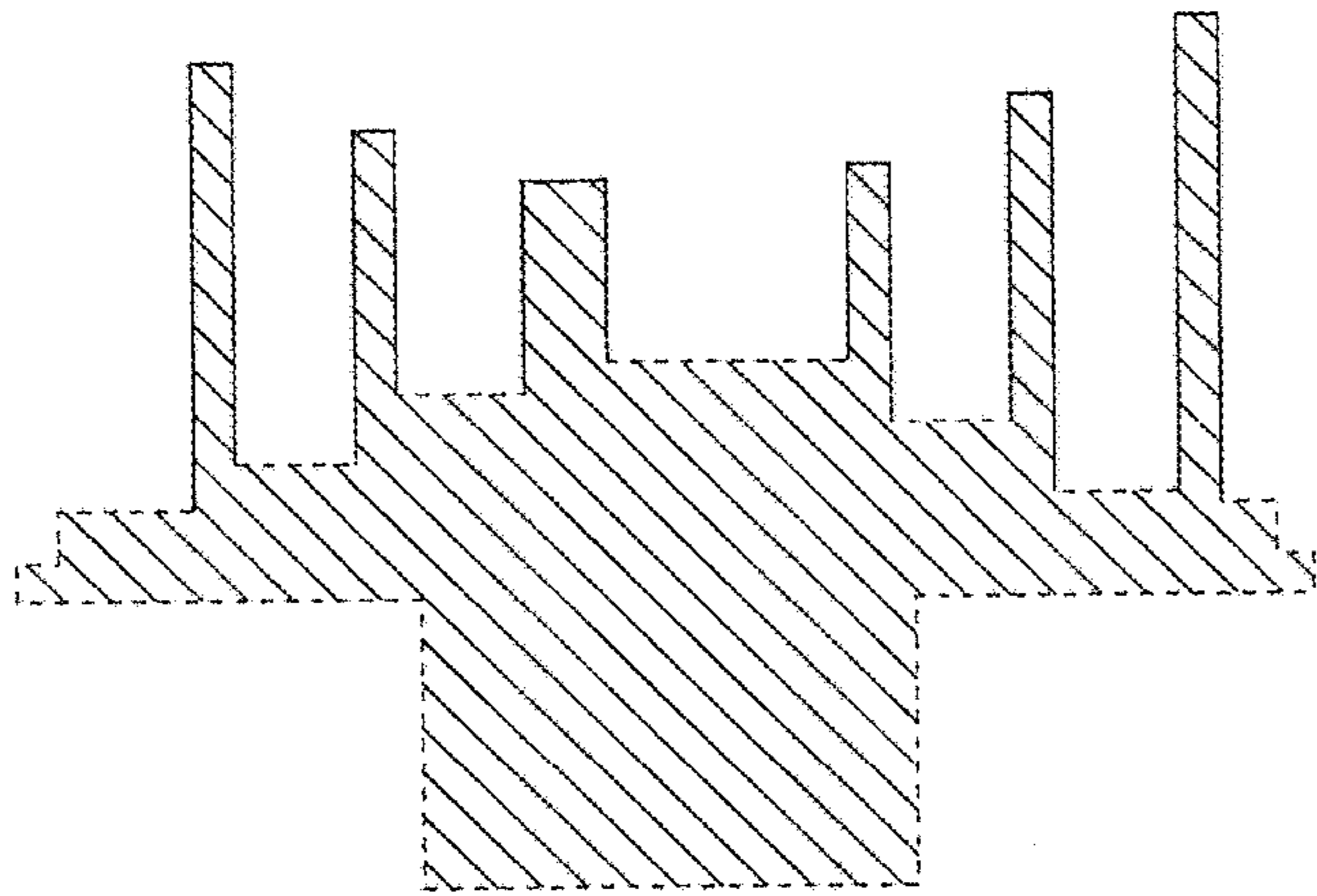


Figure 10

