



US00D863380S

(12) **United States Design Patent**
Zhang et al.

(10) **Patent No.:** **US D863,380 S**
(45) **Date of Patent:** **** Oct. 15, 2019**

(54) **3D BLOOD VESSEL BIO-PRINTER**

(71) Applicant: **REVOTEK CO., LTD**, Sichuan (CN)

(72) Inventors: **Leqing Zhang**, Sichuan (CN); **Junxuan He**, Sichuan (CN); **Zhi Jiang**, Sichuan (CN)

(73) Assignee: **REVOTEK CO., LTD**, Sichuan (CN)

(**) Term: **15 Years**

(21) Appl. No.: **29/641,283**

(22) Filed: **Mar. 21, 2018**

(51) **LOC (12) Cl.** **15-03**

(52) **U.S. Cl.**
USPC **D15/122**

(58) **Field of Classification Search**
USPC D14/420-425; D18/14, 19, 36-39, 50, D18/53, 54, 54.1, 55; D15/122, 135
CPC B33Y 10/00; B33Y 30/00; B33Y 80/00; B33Y 50/02; B33Y 50/00; B33Y 70/00; B33Y 40/00; B29C 67/0055; B29C 67/0088; B29C 67/0059; B29C 67/0085; B29C 67/0092; B29C 67/0051; B29C 67/0077; B29C 67/0081; B29C 2947/92571; B29C 47/0004; B29C 47/0014; B29C 47/0813; B29C 47/92; B29C 67/007; B29C 67/0096; B29C 2043/182; B29C 2043/189; B29C 2793/0081; B29C 2793/009; B29C 2947/9258; B29C 2947/92704; B29C 2947/92904; B29C 35/0805; B29C 43/18; B29C 44/1271; B29C 45/14819; B29C 47/0002; B29C 47/0066; B29C 47/026; B29C 47/0801; B29C 47/0811; B29C

47/1045; B29C 47/48; B29C 47/522; B29C 47/786; B29C 47/86; B29C 47/862; B29C 67/0066; B29C 67/0074

See application file for complete search history.

(56) **References Cited**

U.S. PATENT DOCUMENTS

D736,839 S *	8/2015	Shimano	D15/122
D753,735 S *	4/2016	Shimano	D15/122
D759,133 S *	6/2016	Kitamura	D15/122
D791,204 S *	7/2017	Hynek	D15/131
D799,568 S *	10/2017	Cesar	D15/122
D836,684 S *	12/2018	Zhang	D15/122
D845,357 S *	4/2019	Chen	D15/122

* cited by examiner

Primary Examiner — Khawaja Anwar

(74) *Attorney, Agent, or Firm* — Scully Scott Murphy & Presser

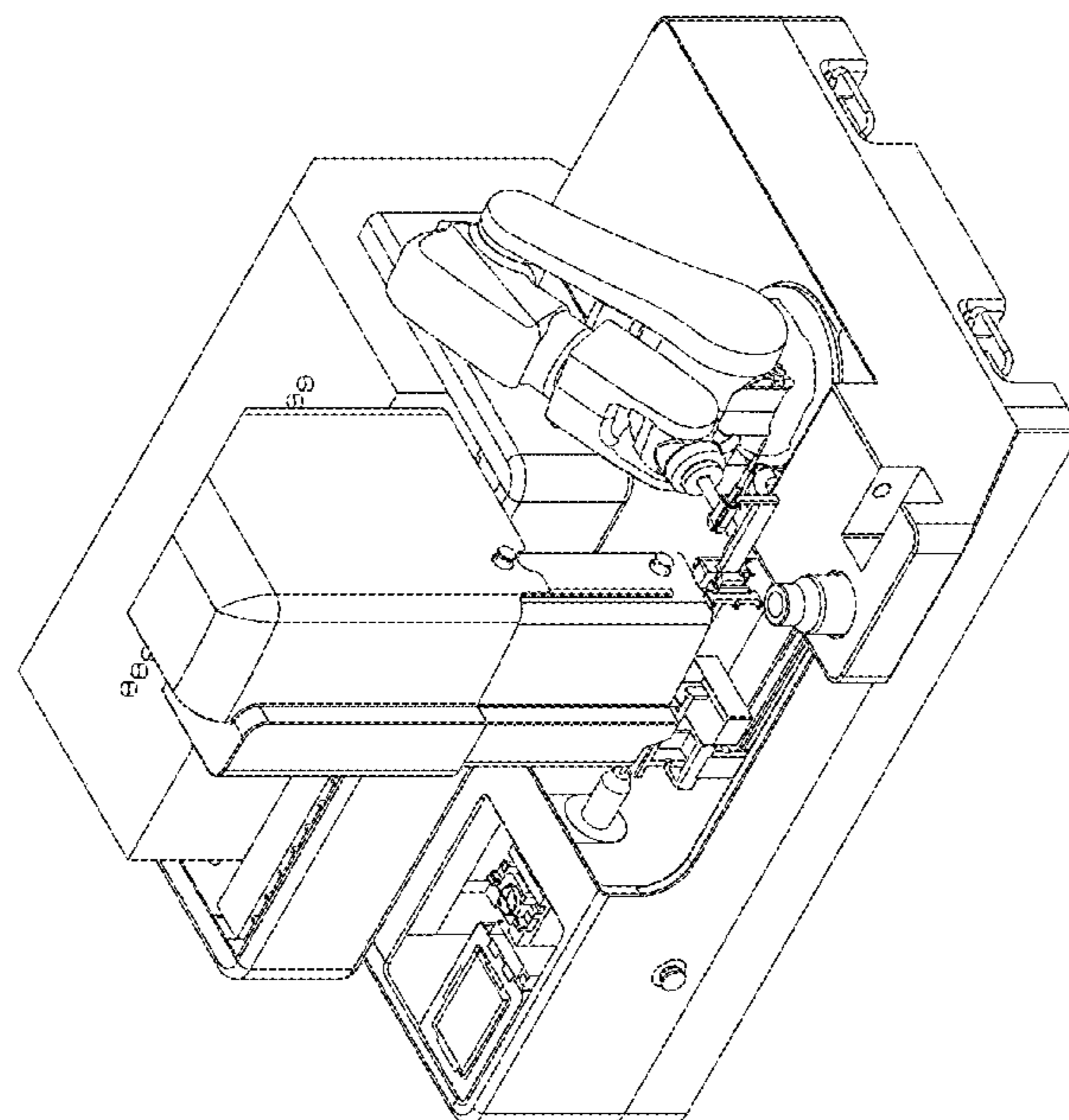
(57) **CLAIM**

The ornamental design for a 3D blood vessel bio-printer, as shown and described.

DESCRIPTION

FIG. 1 is a perspective view of a 3D blood vessel bio-printer, showing our new design; FIG. 2 is a front elevation view thereof; FIG. 3 is a rear elevation view thereof; FIG. 4 is a side elevation view thereof; FIG. 5 is an opposite side elevation view thereof; and, FIG. 6 is a top plan view thereof. The broken lines depict portions of the 3D blood vessel bio-printer that form no part of the claimed design.

1 Claim, 6 Drawing Sheets



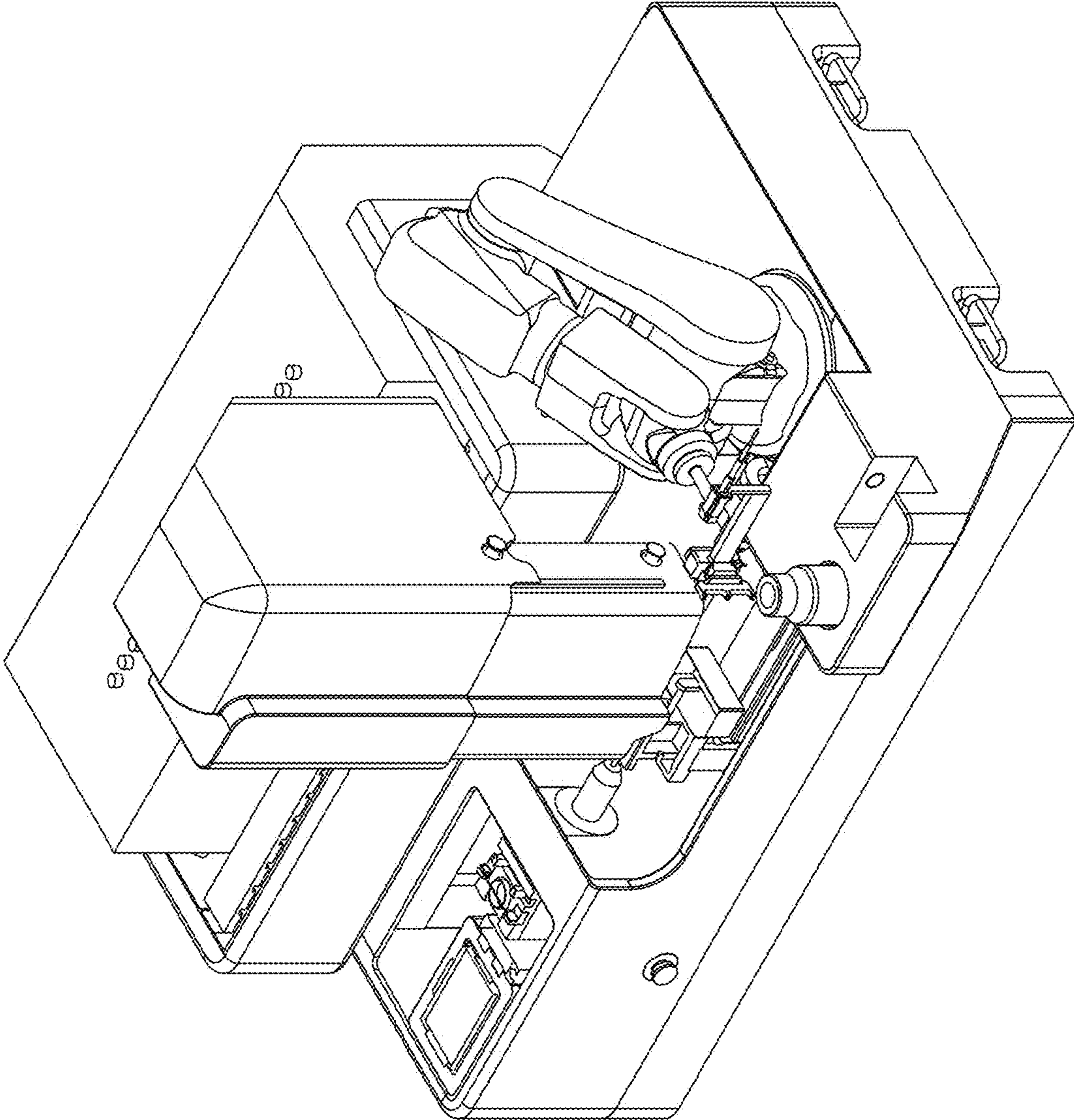


FIG. 1

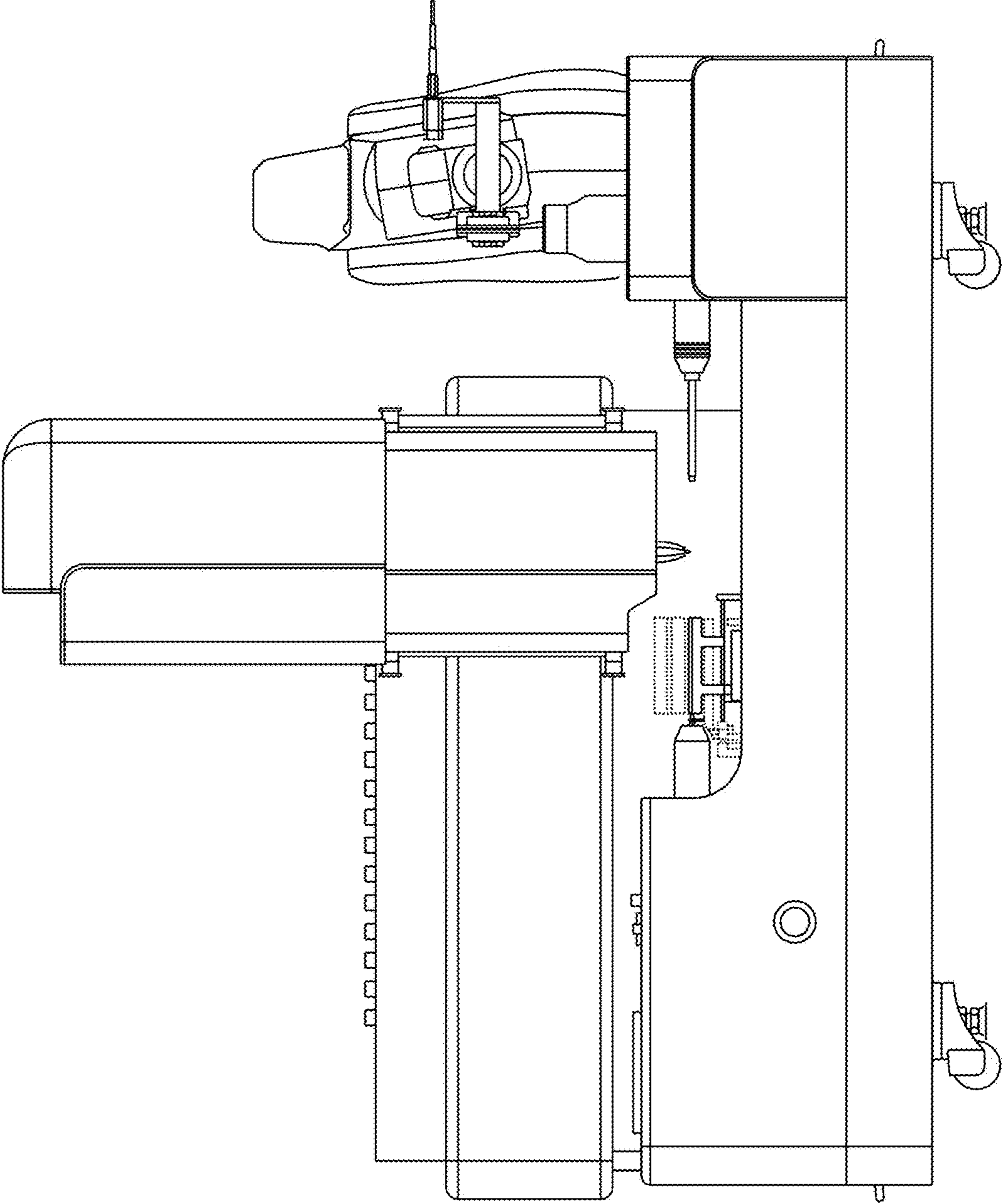


FIG. 2

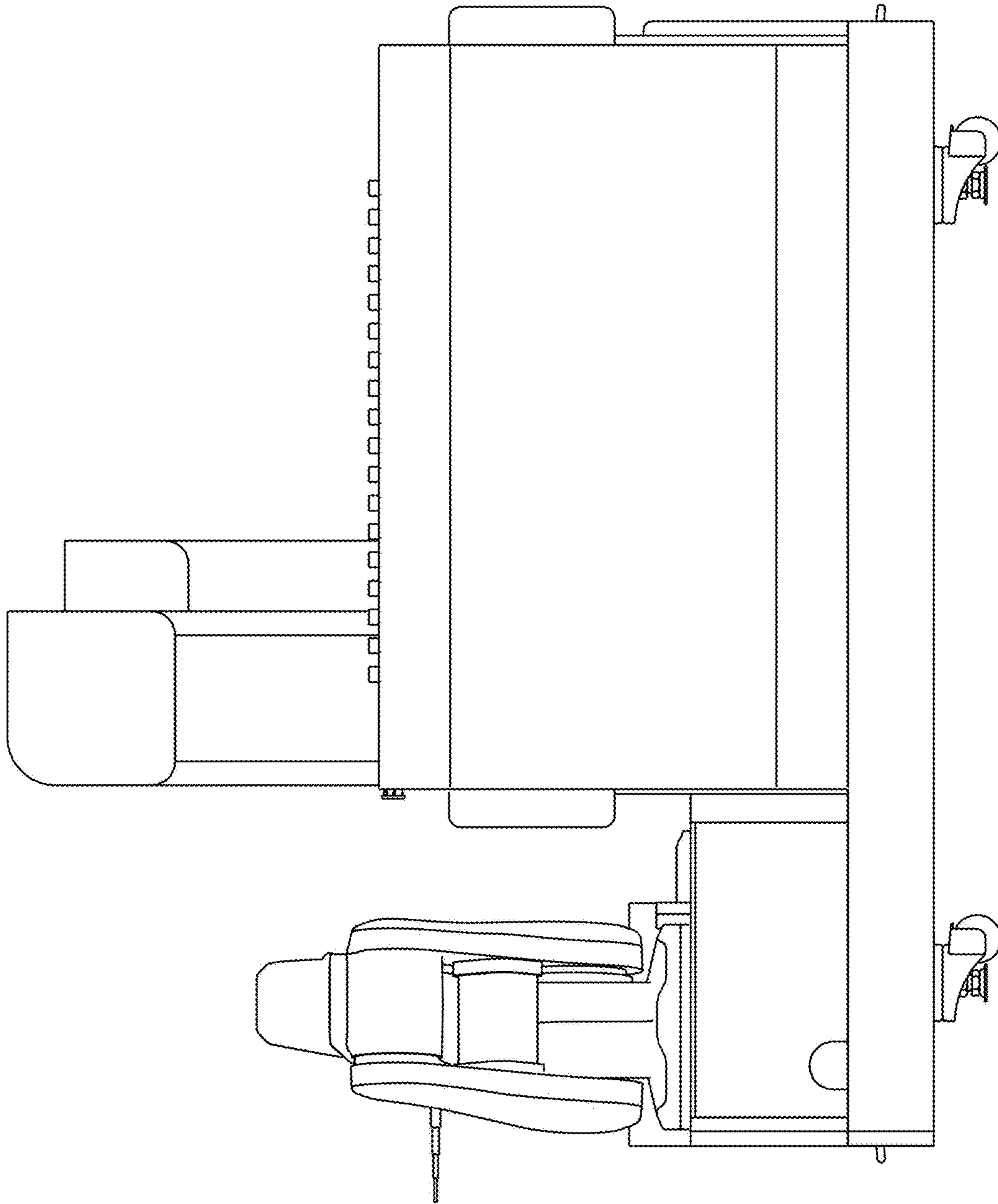


FIG. 3

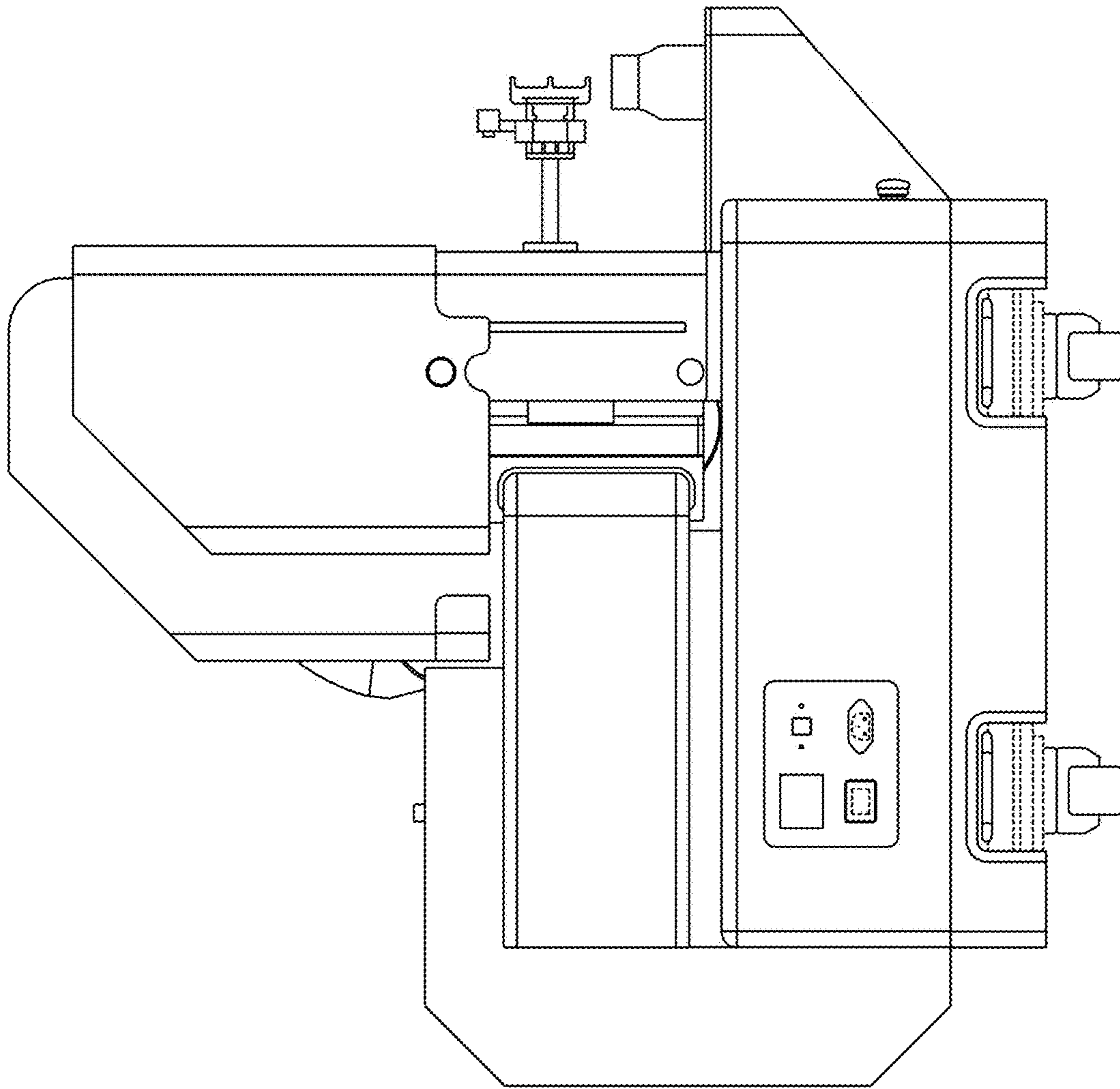


FIG. 4

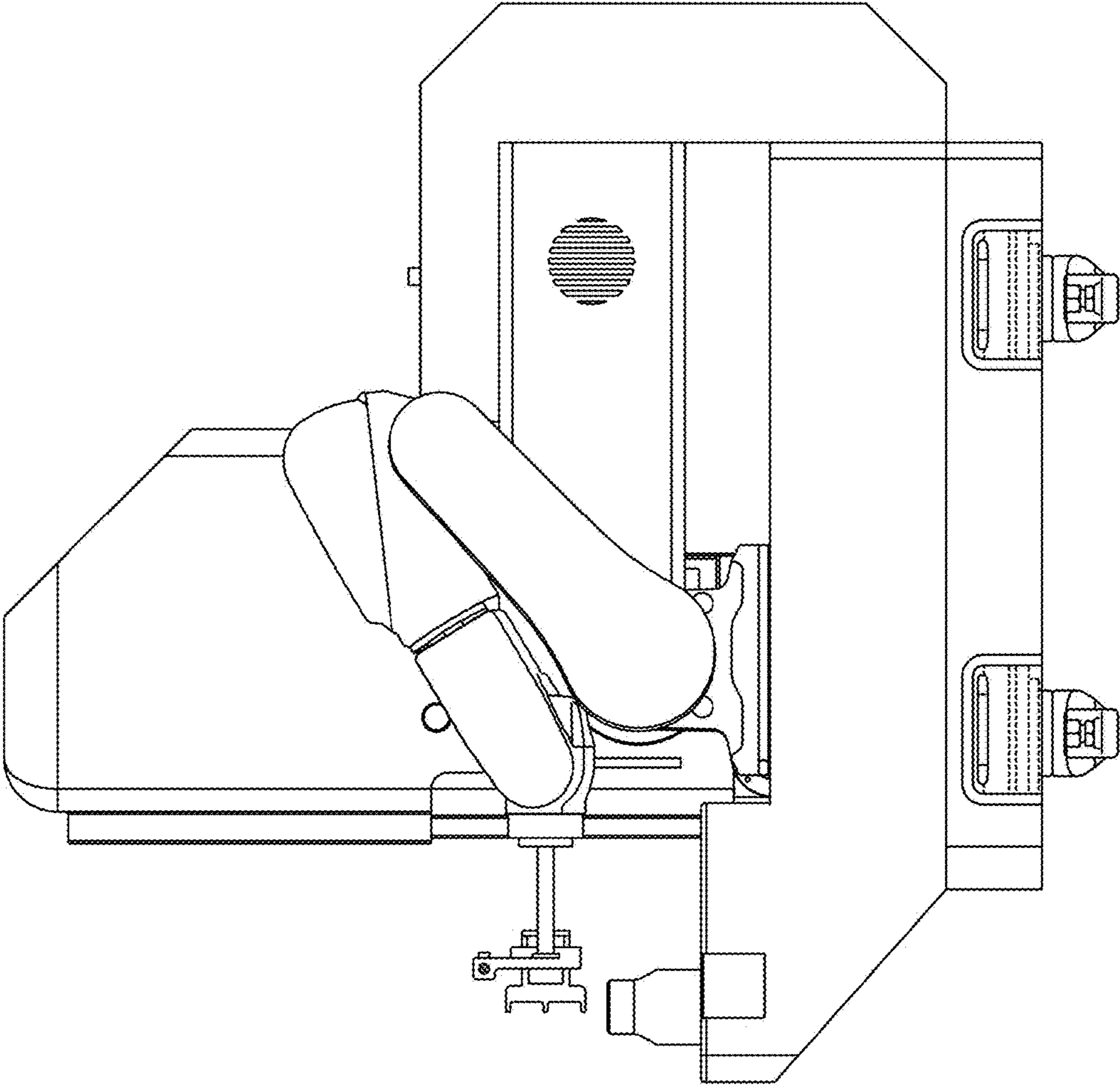


FIG. 5

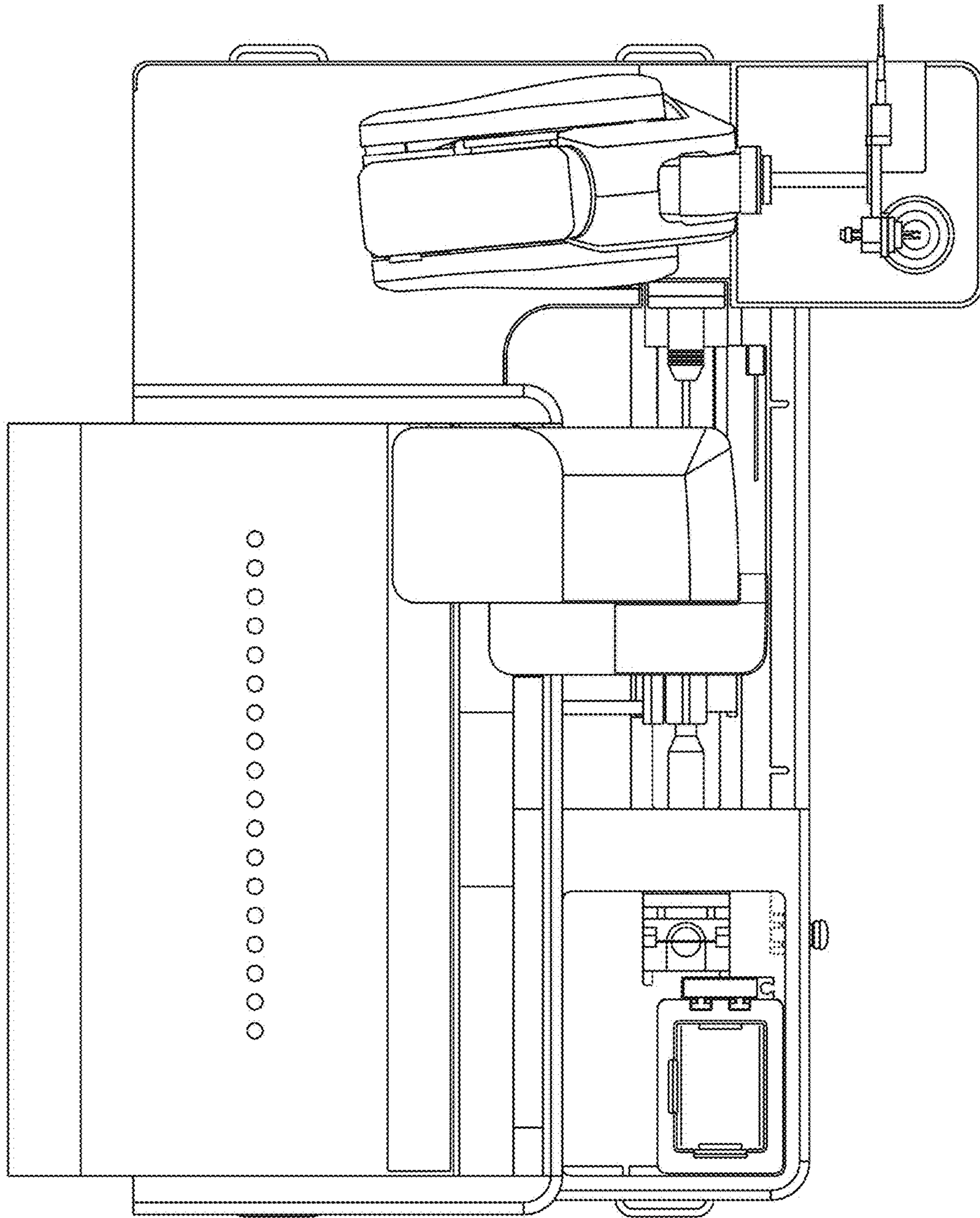


FIG. 6