



US00D863379S

(12) **United States Design Patent** (10) **Patent No.:** **US D863,379 S**
Bilancio et al. (45) **Date of Patent:** **** Oct. 15, 2019**

(54) **CONTROL PANEL FOR AN APPLIANCE**

DESCRIPTION

(71) Applicant: **WHIRLPOOL CORPORATION**,
Benton Harbor, MI (US)
(72) Inventors: **Nathan Bilancio**, St. Joseph, MI (US);
Marco Cammarata, Benton Harbor,
MI (US); **Alexander L. Clayton**, St.
Joseph, MI (US); **Estela Duhart**, St.
Joseph, MI (US); **Brandon L. Satanek**,
Stevensville, MI (US)
(73) Assignee: **Whirlpool Corporation**, Benton
Harbor, MI (US)
(**) Term: **15 Years**
(21) Appl. No.: **29/589,434**
(22) Filed: **Dec. 30, 2016**
(51) **LOC (12) Cl.** **15-07**
(52) **U.S. Cl.**
USPC **D15/89**
(58) **Field of Classification Search**
USPC D15/79-91; D14/485-489, 493
CPC F25D 23/028; F25D 2400/361; F25D
29/005; F25D 11/00; F25D 17/065; F25D
23/066; F25D 23/067; F25D 17/045;
F25D

(Continued)

(56) **References Cited**

U.S. PATENT DOCUMENTS

5,916,353 A 6/1999 Bennett et al.
6,535,644 B1 3/2003 Kurapati

(Continued)

Primary Examiner — Khawaja Anwar

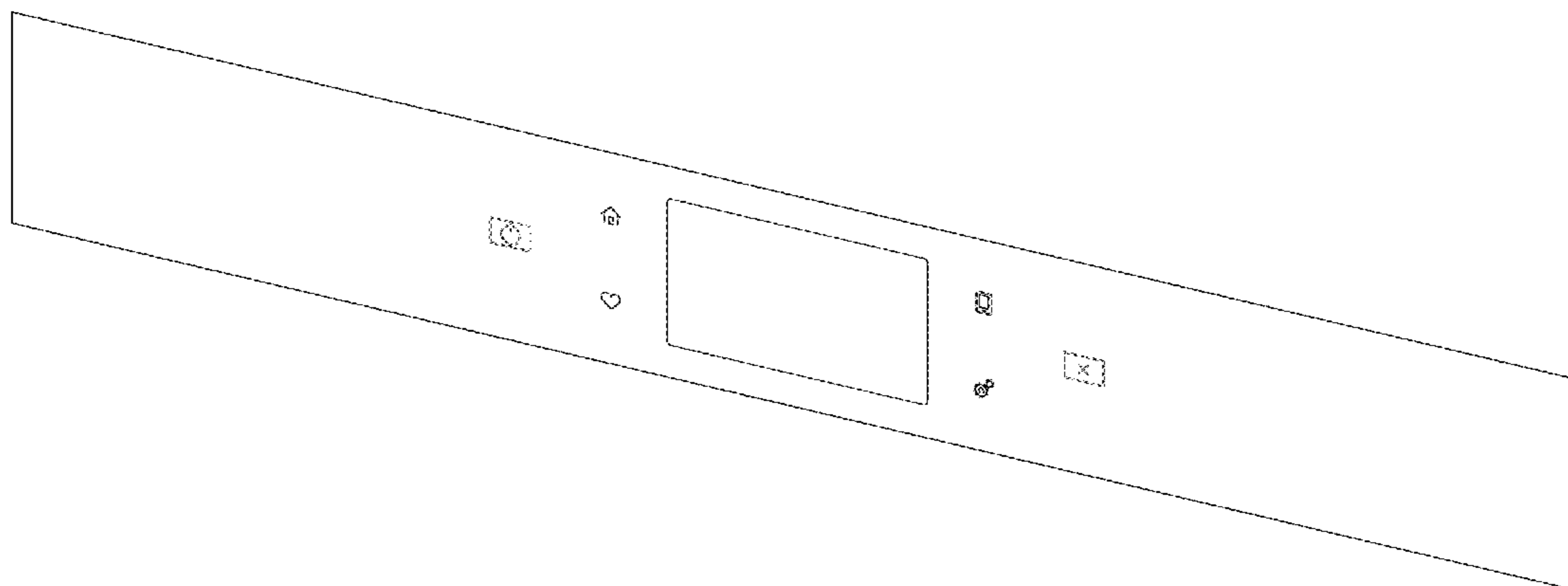
(74) *Attorney, Agent, or Firm* — Price Heneveld LLP

(57) **CLAIM**

We claim the ornamental design for a control panel for an appliance, as shown and described.

FIG. 1 is a front elevational view of a control panel for an appliance of the present disclosure;
FIG. 2 is a front perspective view of the control panel of FIG. 1;
FIG. 3 is a front elevational view of area V of the control panel of FIG. 1;
FIG. 4 is a front elevational view of a control panel for an appliance of the present disclosure;
FIG. 5 is a front perspective view of the control panel of FIG. 4;
FIG. 6 is a front elevational view of area VIII of the control panel of FIG. 4;
FIG. 7 is a front elevational view of a control panel for an appliance of the present disclosure;
FIG. 8 is a front perspective view of the control panel of FIG. 7;
FIG. 9 is a front elevational view of area XI of the control panel of FIG. 7;
FIG. 10 is a front elevational view of a control panel for an appliance of the present disclosure;
FIG. 11 is a front perspective view of the control panel of FIG. 10;
FIG. 12 is a front elevational view of area XIV of the control panel of FIG. 10;
FIG. 13 is a front elevational view of a control panel for an appliance of the present disclosure;
FIG. 14 is a front perspective view of the control panel of FIG. 13;
FIG. 15 is a front elevational view of area XVII of the control panel of FIG. 13;
FIG. 16 is a front elevational view of a control panel for an appliance of the present disclosure;
FIG. 17 is a front perspective view of the control panel of FIG. 16; and,
FIG. 18 is a front elevational view of area XX of the control panel of FIG. 16.
The broken lines depict portions of the article that form no part of the claimed design.

1 Claim, 18 Drawing Sheets



(58) **Field of Classification Search**

CPC 23/069; F25D 2400/06; F25D 2400/16;
 F25D 2700/04; F25D 27/00; F25D 11/02;
 F25D 2323/021; F25D 23/02; F25D
 23/025; F25D 23/04; F25D 23/065; F25D
 2400/40; F25D 25/02; F25D 2700/02;
 F25D 29/00; F25D 17/04; F25D 17/042;
 F25D 17/062; F25D 17/067; F25D
 2201/14; F25D 2317/04131; F25D
 2317/061; F25D 2317/062; F25D
 2317/063; F25D 2317/067; F25D
 2317/0681; F25D 2317/0682; F25D
 2317/0683; F25D 2323/02; F25D
 2323/023; F25D 2323/121; F25D
 2323/122; F25D 2325/021; F25D 23/062;
 F25D 23/063; F25D 23/08; F25D 23/087;
 F25D 23/10; F25D 23/126; F25D
 2400/04; F25D 2400/18; F25D 2500/02;
 F25D 25/022; F25D 25/025; F25D 25/04;
 F25D 2700/06; F25D 2700/14; F25D
 27/005

See application file for complete search history.

(56) **References Cited**

U.S. PATENT DOCUMENTS

D513,684 S 1/2006 Jackovin et al.
 D521,521 S * 5/2006 Jewitt D14/487
 D618,488 S * 6/2010 Knochner D7/350.1
 D625,139 S 10/2010 McLaughlin et al.

D628,438 S 12/2010 Knochner et al.
 D633,336 S * 3/2011 Sadtler D7/405
 D645,703 S 9/2011 Sadtler
 D646,113 S 10/2011 Park et al.
 D668,110 S * 10/2012 Borjesson D7/406
 D668,111 S * 10/2012 Borjesson D7/406
 D668,112 S * 10/2012 Borjesson D7/406
 D670,724 S 11/2012 Mori et al.
 D682,491 S 5/2013 Kim et al.
 D721,918 S * 2/2015 Glassman D7/406
 D728,310 S 5/2015 Borjesson et al.
 D730,385 S 5/2015 Chen et al.
 D738,682 S 9/2015 Roberson et al.
 D738,887 S 9/2015 Ma et al.
 D743,997 S 11/2015 Cardell et al.
 D749,610 S 2/2016 Lee et al.
 D750,661 S * 3/2016 Funnell, II D14/487
 D753,686 S 4/2016 Vardy et al.
 D767,650 S * 9/2016 Micheviz D15/89
 D793,403 S * 8/2017 Cross D14/485
 D809,001 S * 1/2018 Funnell, II D14/487
 D809,536 S * 2/2018 Cross D14/486
 D809,865 S * 2/2018 Nilssen D7/406
 D839,318 S * 1/2019 Meda D15/89
 D844,015 S * 3/2019 Meng D14/485
 2006/0181517 A1 8/2006 Zadesky et al.
 2006/0184966 A1 8/2006 Hunleth et al.
 2010/0147823 A1 6/2010 Anderson et al.
 2011/0153085 A1 6/2011 Motamedi et al.
 2012/0030607 A1 2/2012 Michel et al.
 2013/0249847 A1 9/2013 Goss et al.
 2013/0277353 A1 10/2013 Joseph et al.
 2016/0097541 A1 4/2016 Choi

* cited by examiner

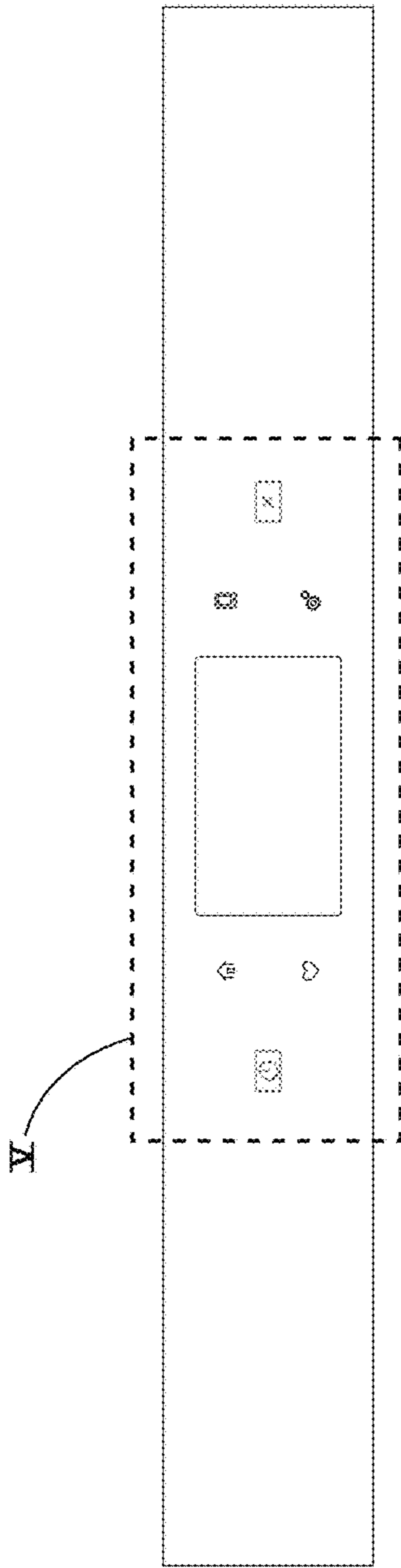


FIG. 1

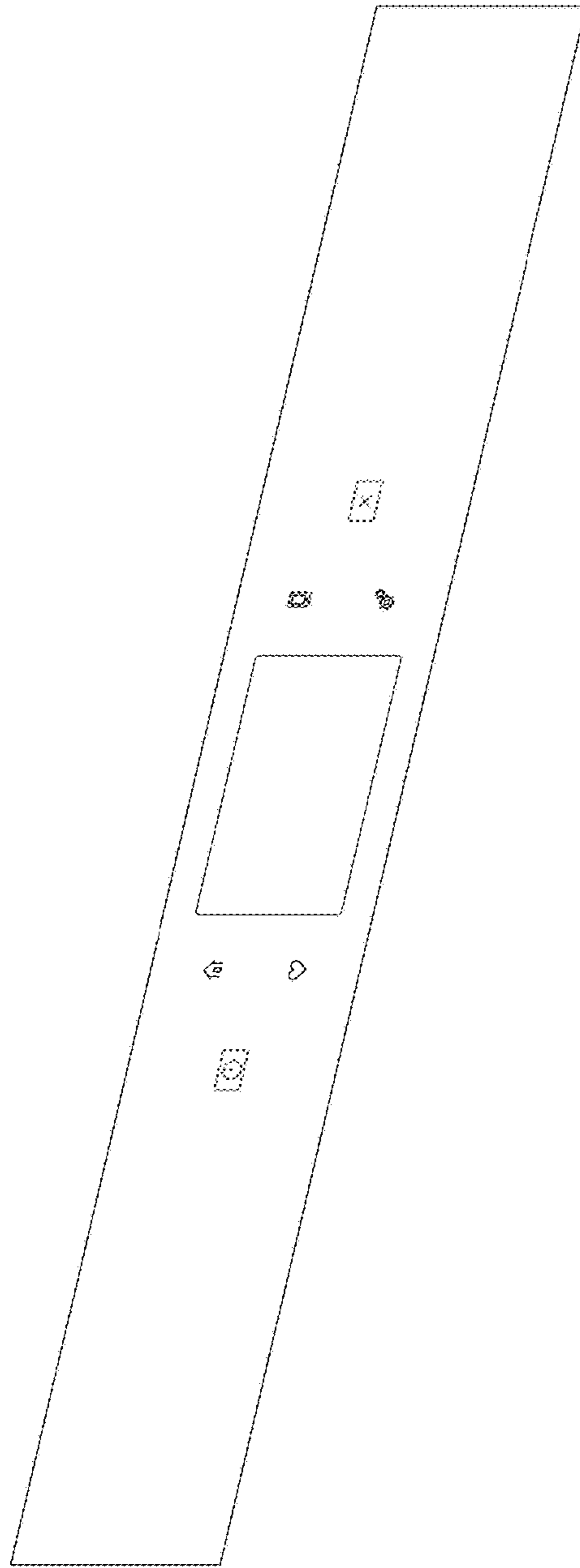


FIG. 2

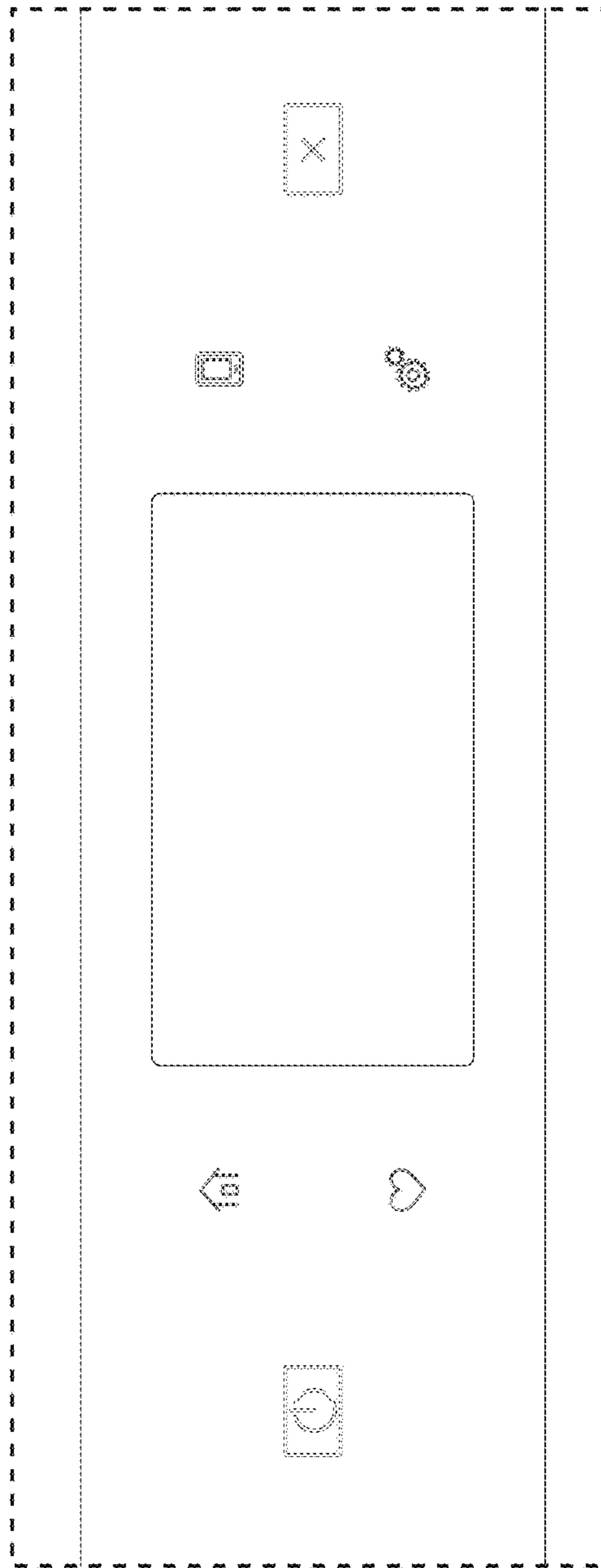


FIG. 3

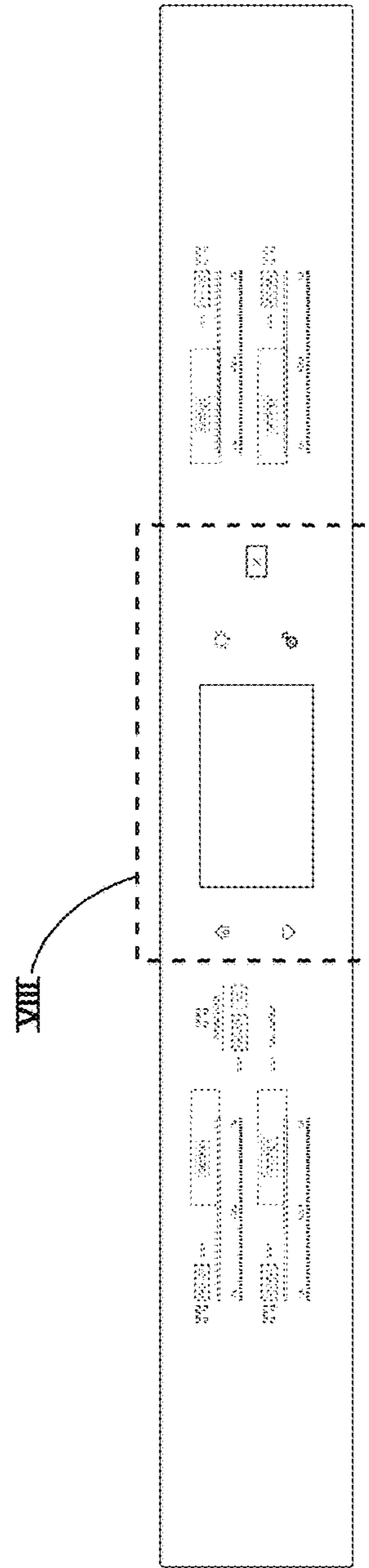


FIG. 4

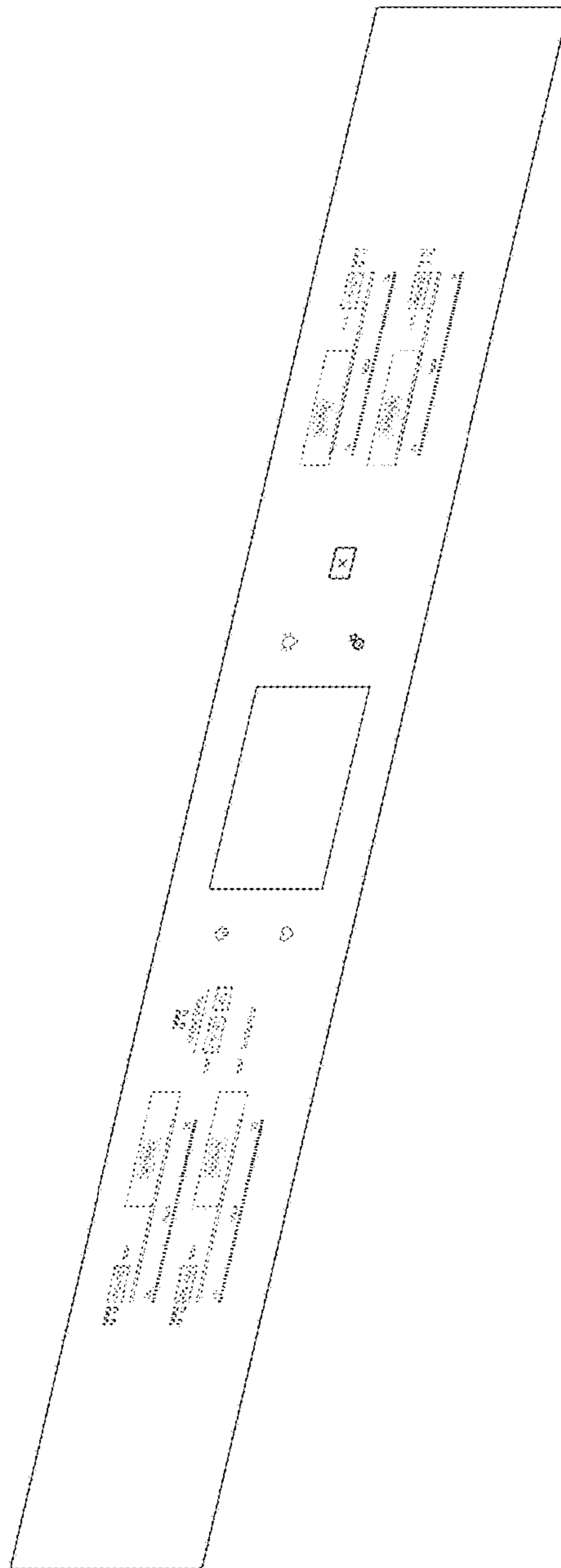


FIG. 5

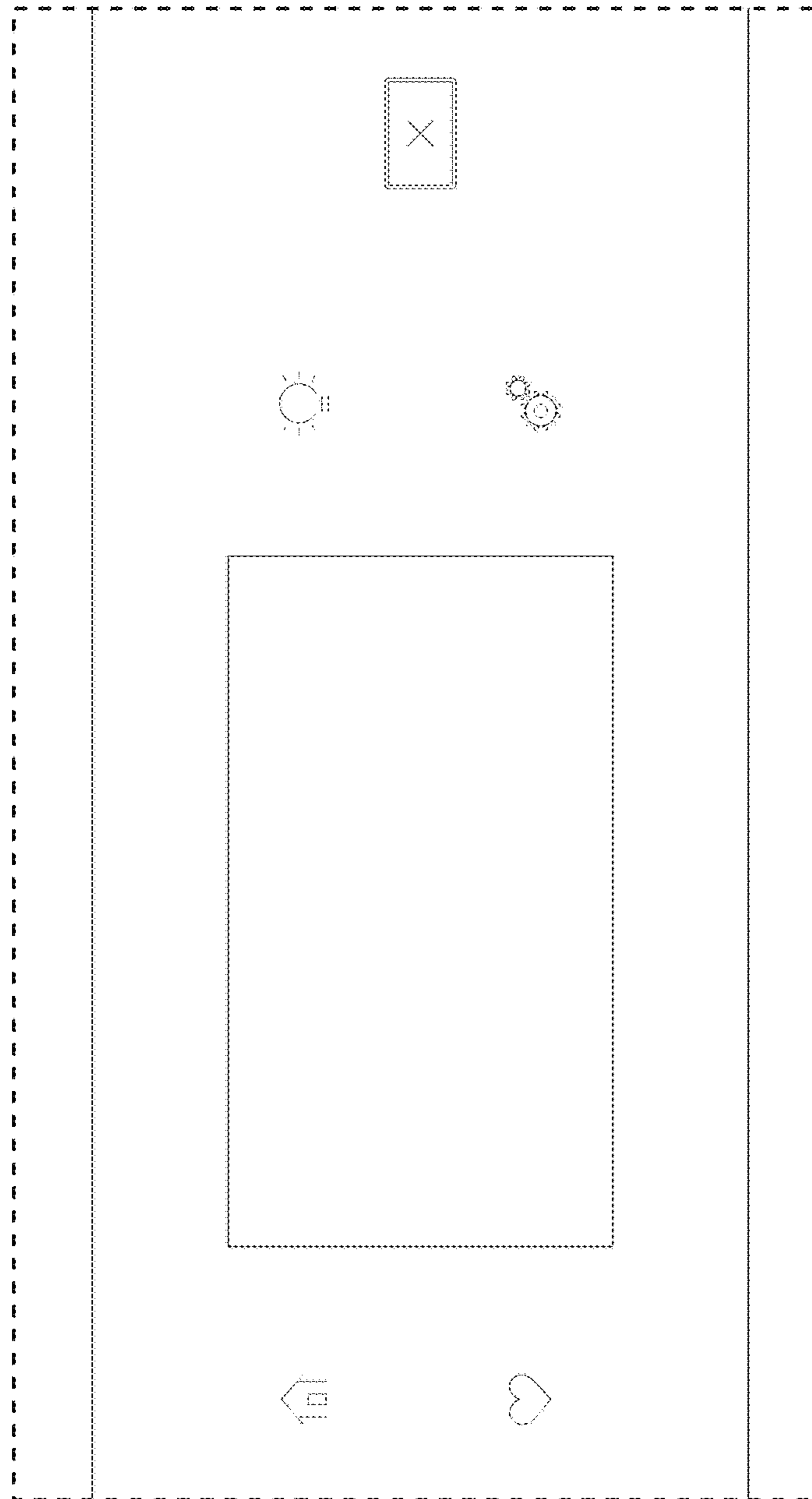


FIG. 6

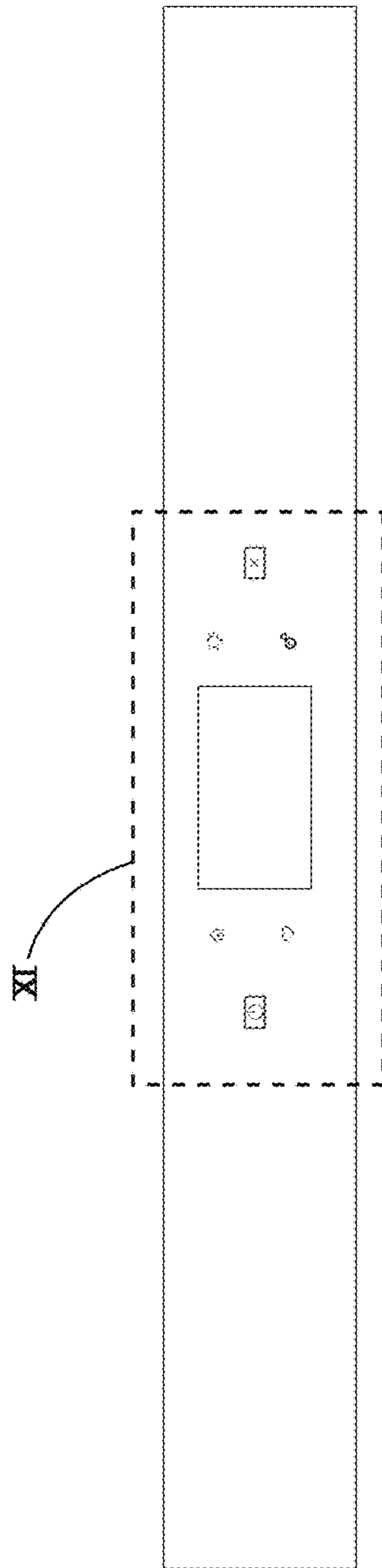


FIG. 7

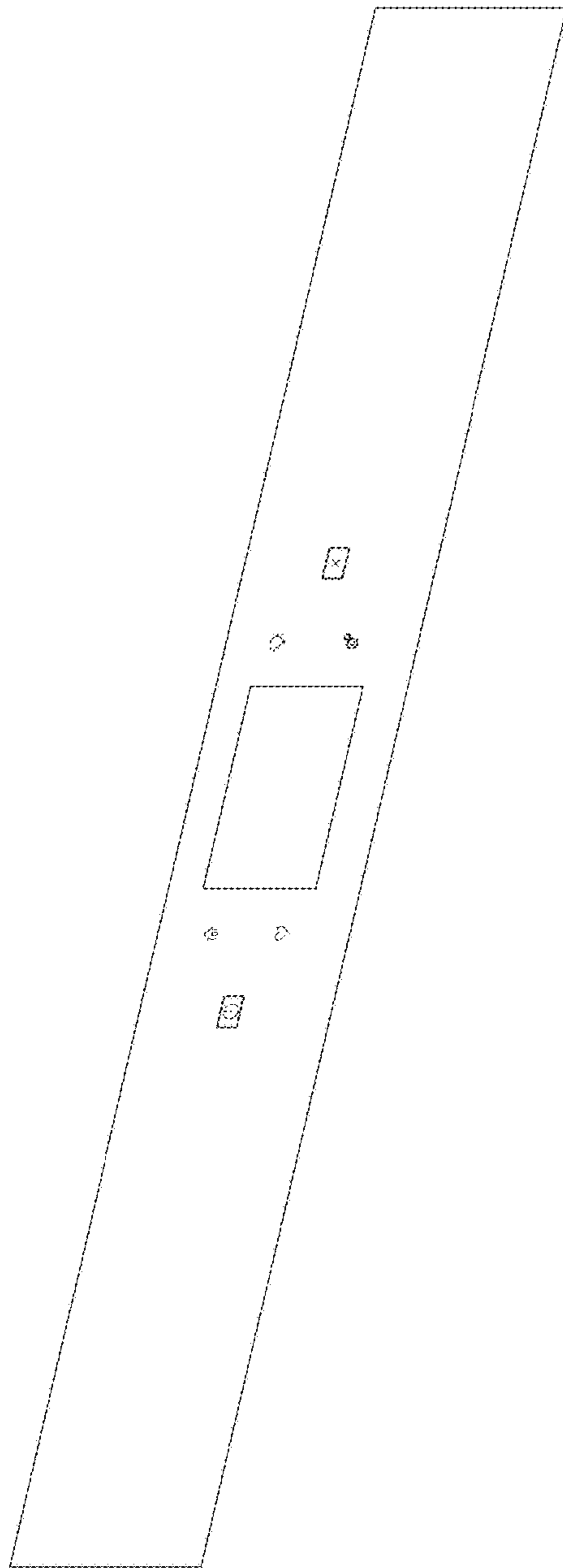


FIG. 8

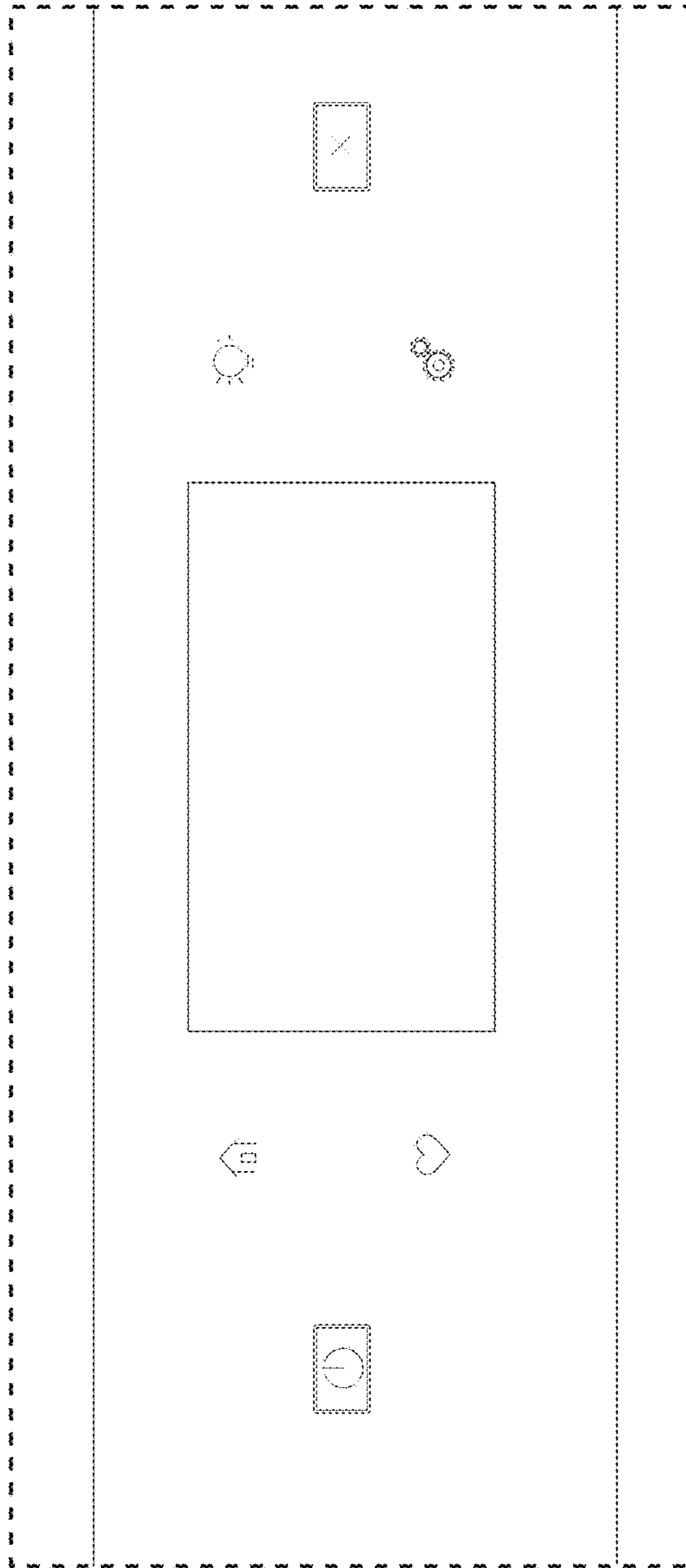


FIG. 9

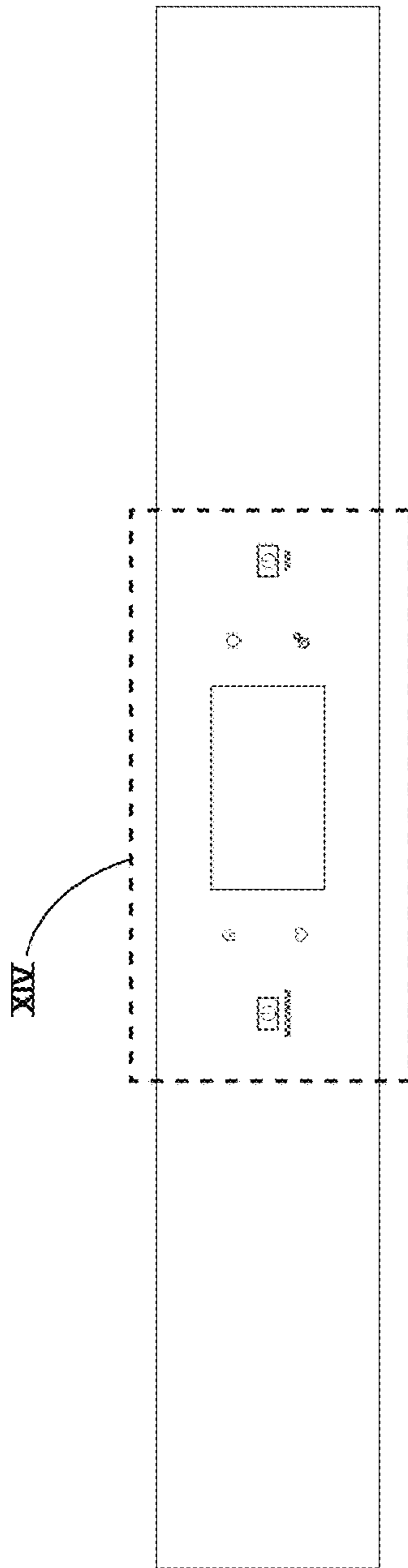


FIG. 10

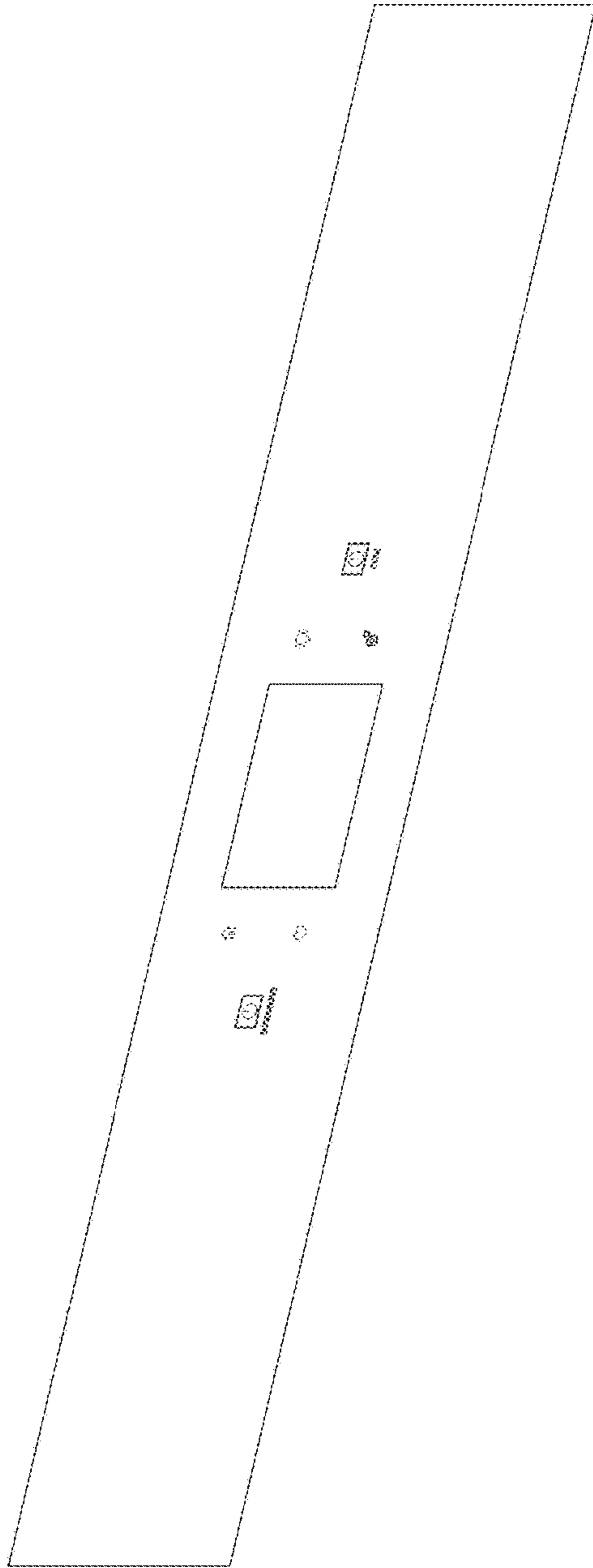


FIG. 11

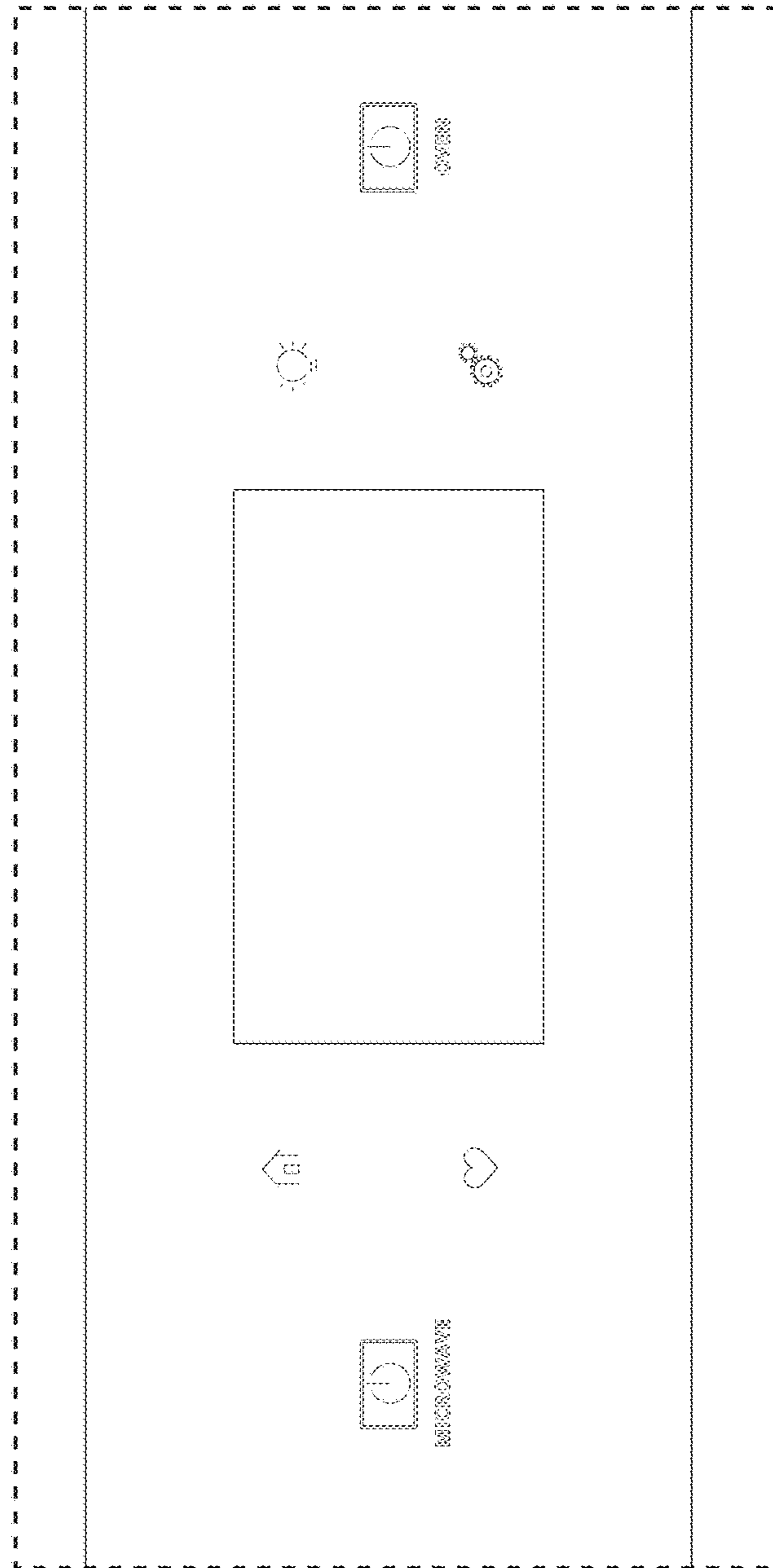


FIG. 12

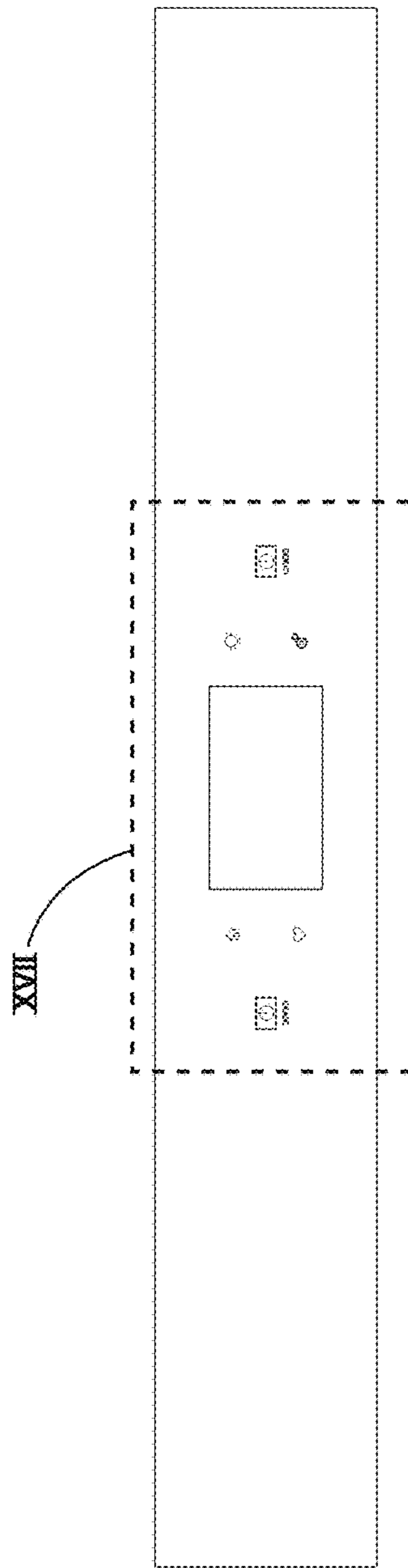


FIG. 13

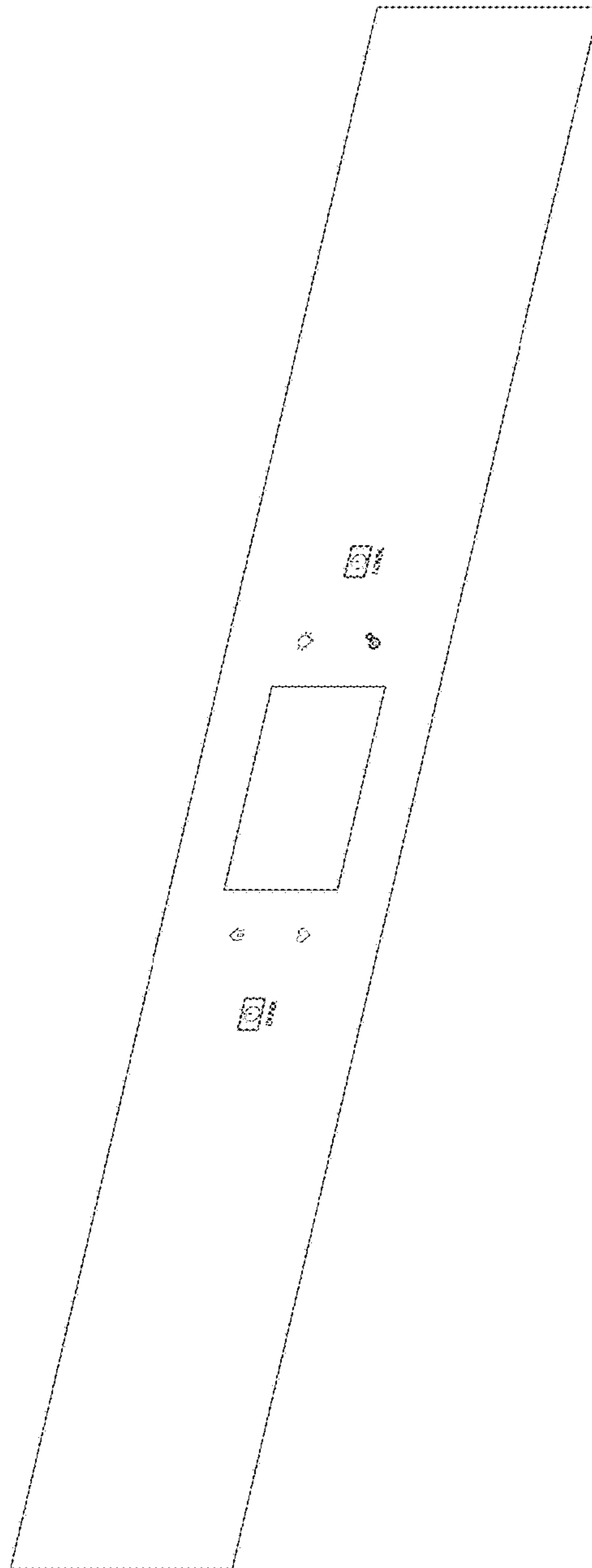


FIG. 14

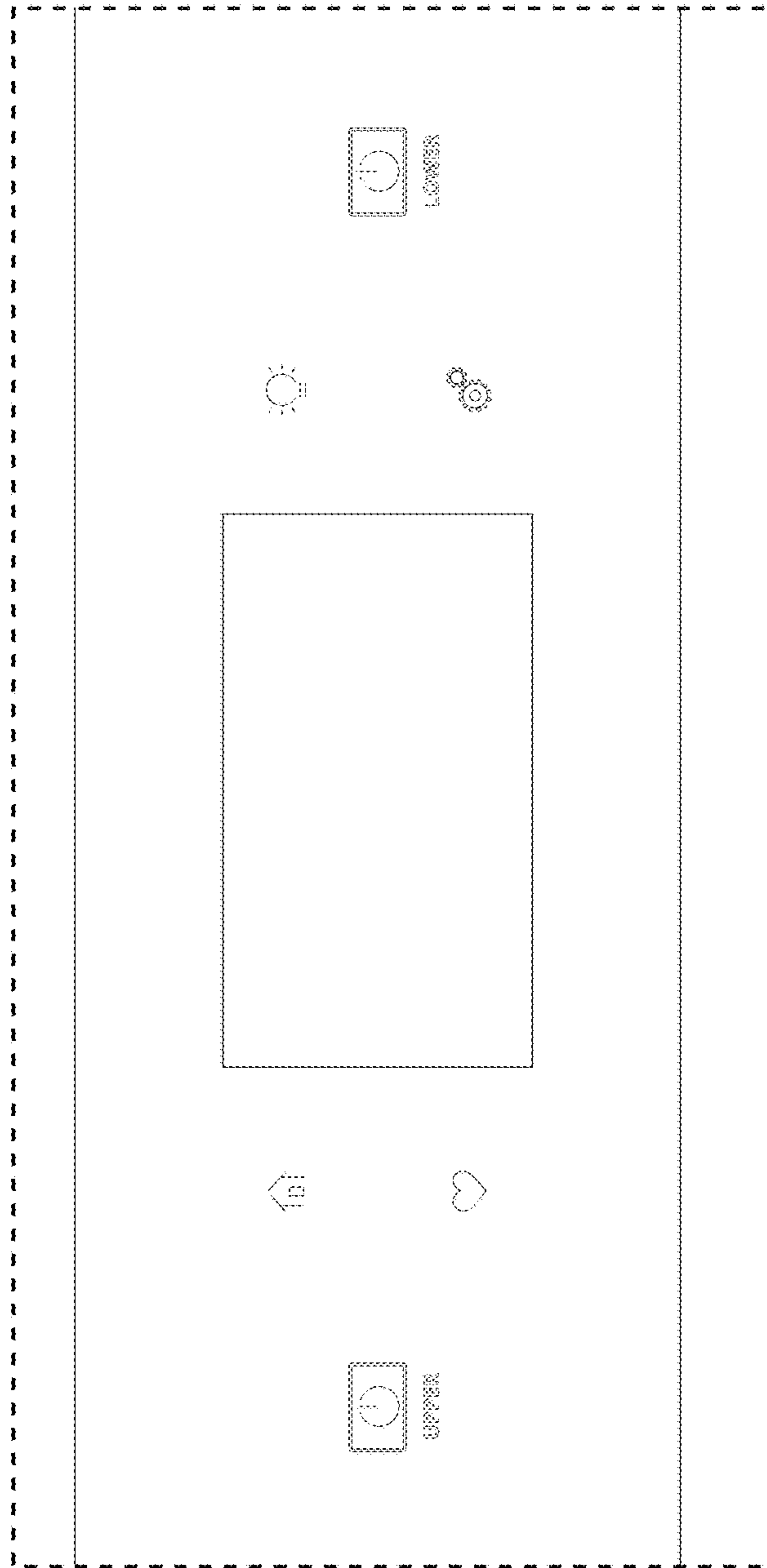


FIG. 15

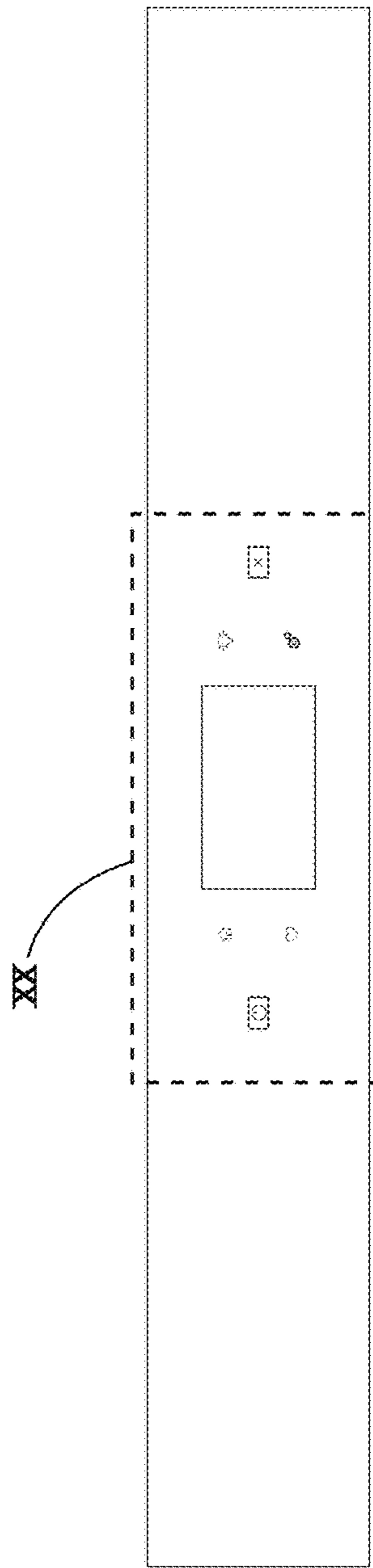


FIG. 16

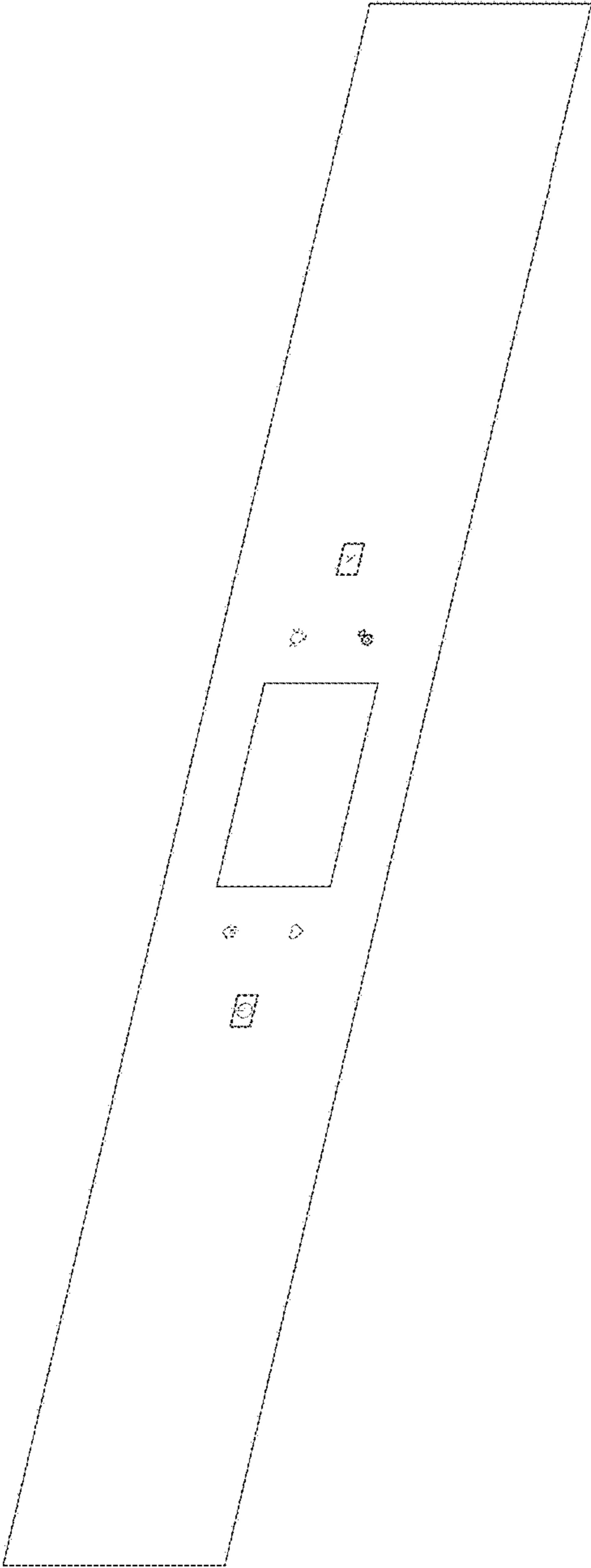


FIG. 17

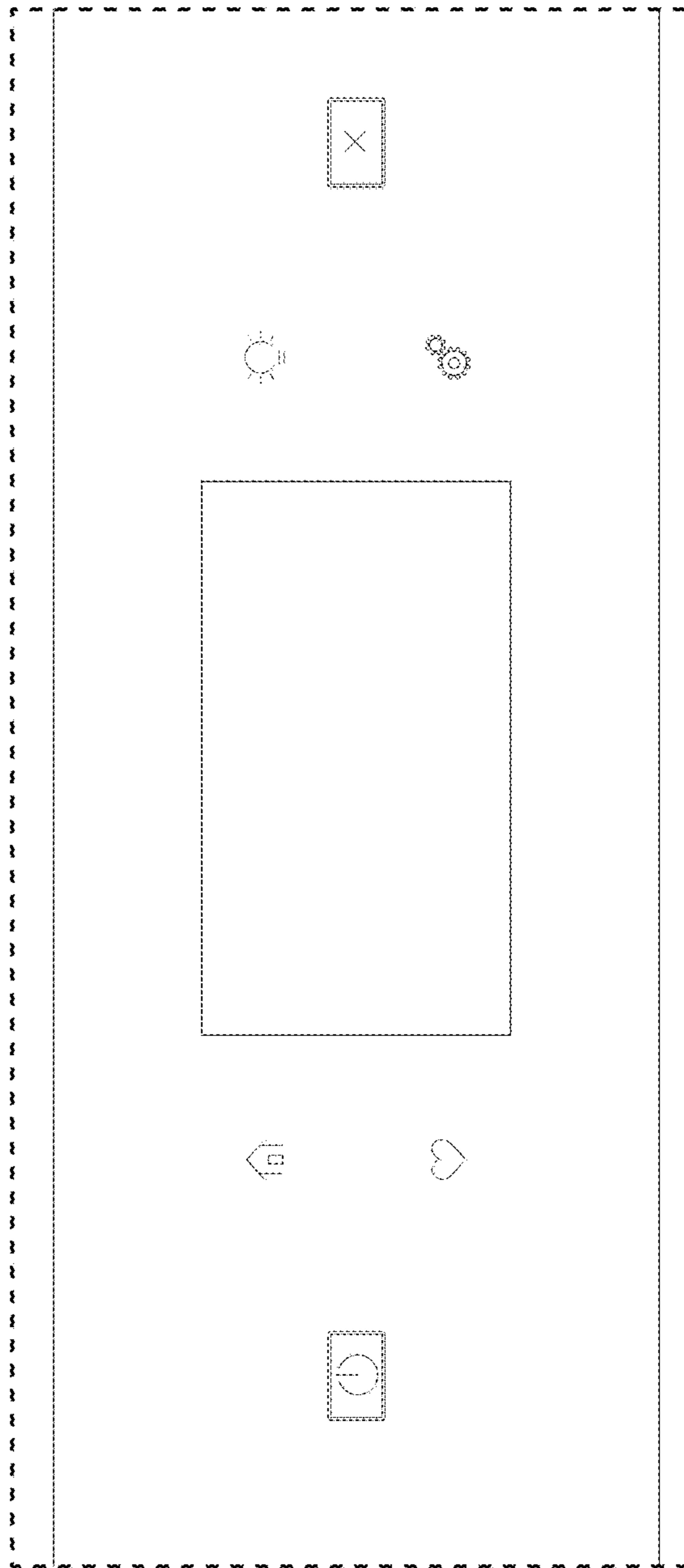


FIG. 18