

US00D863377S

(12) **United States Design Patent**
Saunders et al.

(10) **Patent No.:** **US D863,377 S**

(45) **Date of Patent:** **** Oct. 15, 2019**

(54) **SINGLE REFRIGERATION UNIT CABINET**

D368,916 S * 4/1996 Pawlowski D15/79
D377,179 S * 1/1997 Sundheim D15/79
D441,770 S * 5/2001 Bardin D15/81

(71) Applicant: **ROMAINE EMPIRE, INC.**, Chicago, IL (US)

(Continued)

(72) Inventors: **Luke Saunders**, Chicago, IL (US);
Matteo Bologna, Brooklyn, NY (US);
Andrea Brown, Belmont, MA (US)

Primary Examiner — Khawaja Anwar

(74) *Attorney, Agent, or Firm* — Marshall, Gerstein & Borun LLP

(73) Assignee: **ROMAINE EMPIRE, INC.**, Chicago, IL (US)

(57) **CLAIM**

The ornamental design for a single refrigeration unit cabinet, as shown and described.

(**) Term: **15 Years**

DESCRIPTION

(21) Appl. No.: **29/625,809**

(22) Filed: **Nov. 13, 2017**

(51) **LOC (12) Cl.** **15-07**

(52) **U.S. Cl.**
USPC **D15/79**

(58) **Field of Classification Search**
USPC D15/79-91
CPC F25D 25/025; F25D 23/028; F25D 2323/024; F25D 23/00; F25D 23/02; F25D 2323/021; F25D 23/065; F25D 11/00; F25D 2201/14; F25D 23/021; F25D 23/025; F25D 23/04; F25D 27/00; F25D 23/062; F25D 23/067; F25D 2400/18; F25D 2317/04131; F25D 2317/043; F25D 2317/0651; F25D 2317/0664; F25D 2317/0681; F25D 2317/0683; F25D 2323/00264; F25D 2323/121; F25D 2323/122; F25D 2325/022; F25D 23/064

See application file for complete search history.

FIG. 1 is an isometric view of a single refrigeration unit cabinet showing our new design;
FIG. 2 is a front view thereof;
FIG. 3 is a back view thereof;
FIG. 4 is a right view thereof;
FIG. 5 is a left view thereof;
FIG. 6 is a top view thereof;
FIG. 7 is a bottom view thereof;
FIG. 8 is an isometric view of a second single refrigeration unit cabinet showing our new design;
FIG. 9 is a front view thereof;
FIG. 10 is a back view thereof;
FIG. 11 is a right view thereof;
FIG. 12 is a left view thereof;
FIG. 13 is a top view thereof;
FIG. 14 is a bottom view thereof;
FIG. 15 is an isometric view of a third single refrigeration unit cabinet showing our new design;
FIG. 16 is a front view thereof;
FIG. 17 is a back view thereof;
FIG. 18 is a right view thereof;
FIG. 19 is a left view thereof;
FIG. 20 is a top view thereof; and,
FIG. 21 is a bottom view thereof.

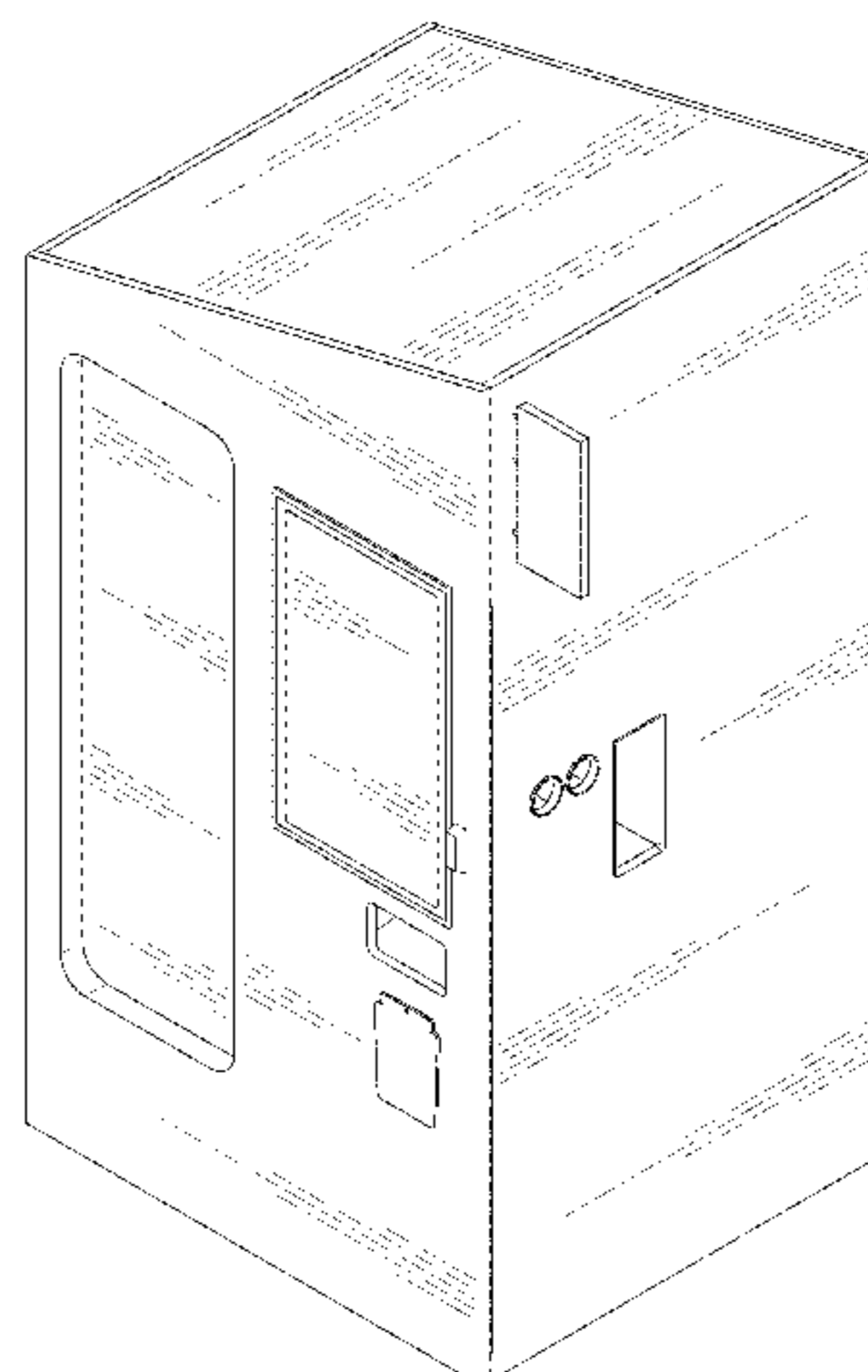
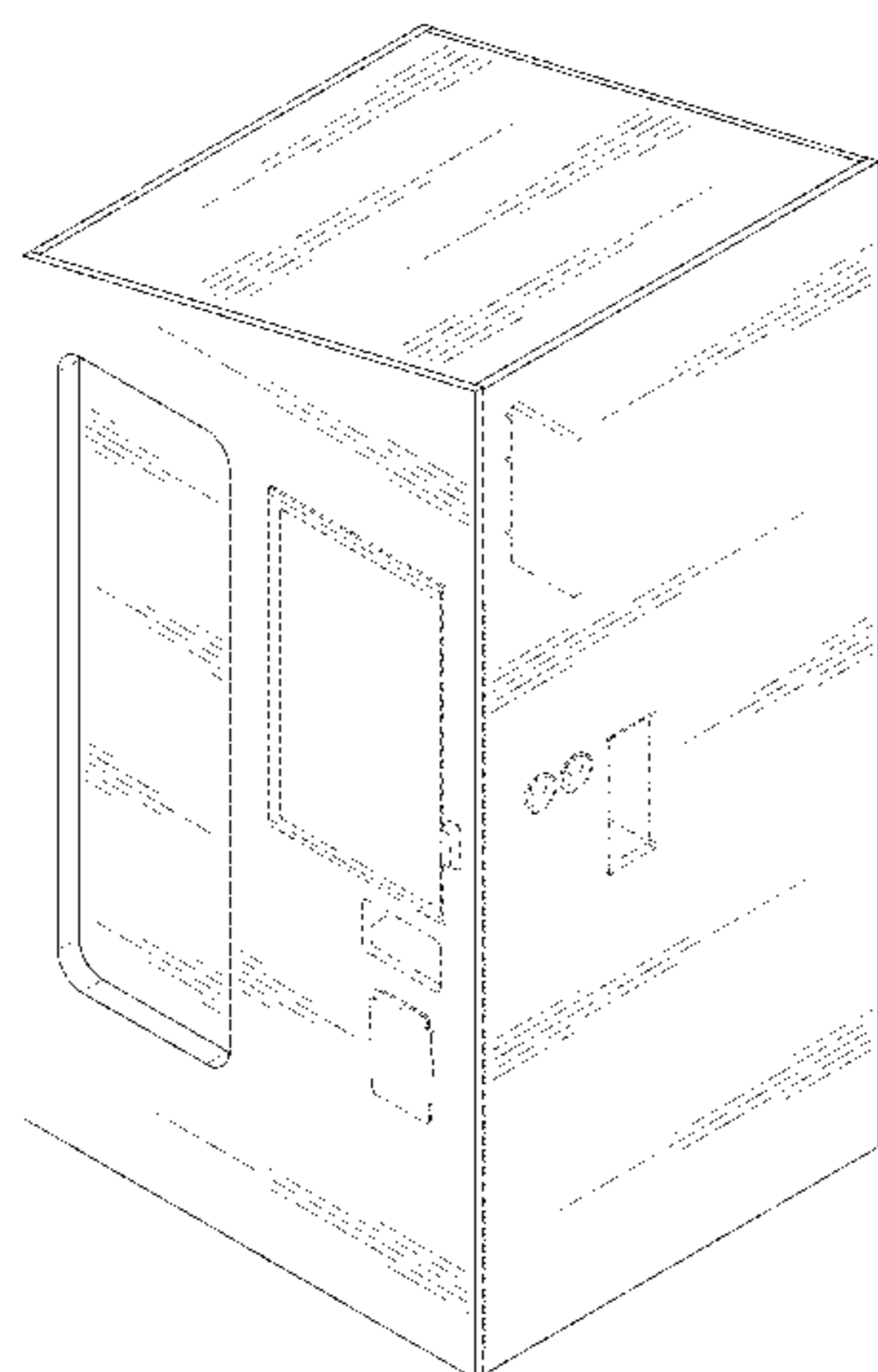
Those portions of the figures that are presented in broken lines merely illustrate the environment of the design and are not part of the claimed design.

(56) **References Cited**

U.S. PATENT DOCUMENTS

D73,776 S * 11/1927 Carrick D15/79
D178,493 S * 8/1956 Carvel D15/79
D344,962 S * 3/1994 Colman D15/79
D359,055 S * 6/1995 Drago D15/79

1 Claim, 21 Drawing Sheets



(56)

References Cited

U.S. PATENT DOCUMENTS

D503,786 S *	4/2005	Otaki	D15/79
D503,971 S *	4/2005	Otaki	D15/79
D522,114 S *	5/2006	Otaki	D15/79
D674,822 S *	1/2013	Ugumori	D15/79
D721,745 S *	1/2015	Davis	D15/81
D771,158 S *	11/2016	Jain	D15/81
D802,030 S *	11/2017	Thuma	D15/81

* cited by examiner

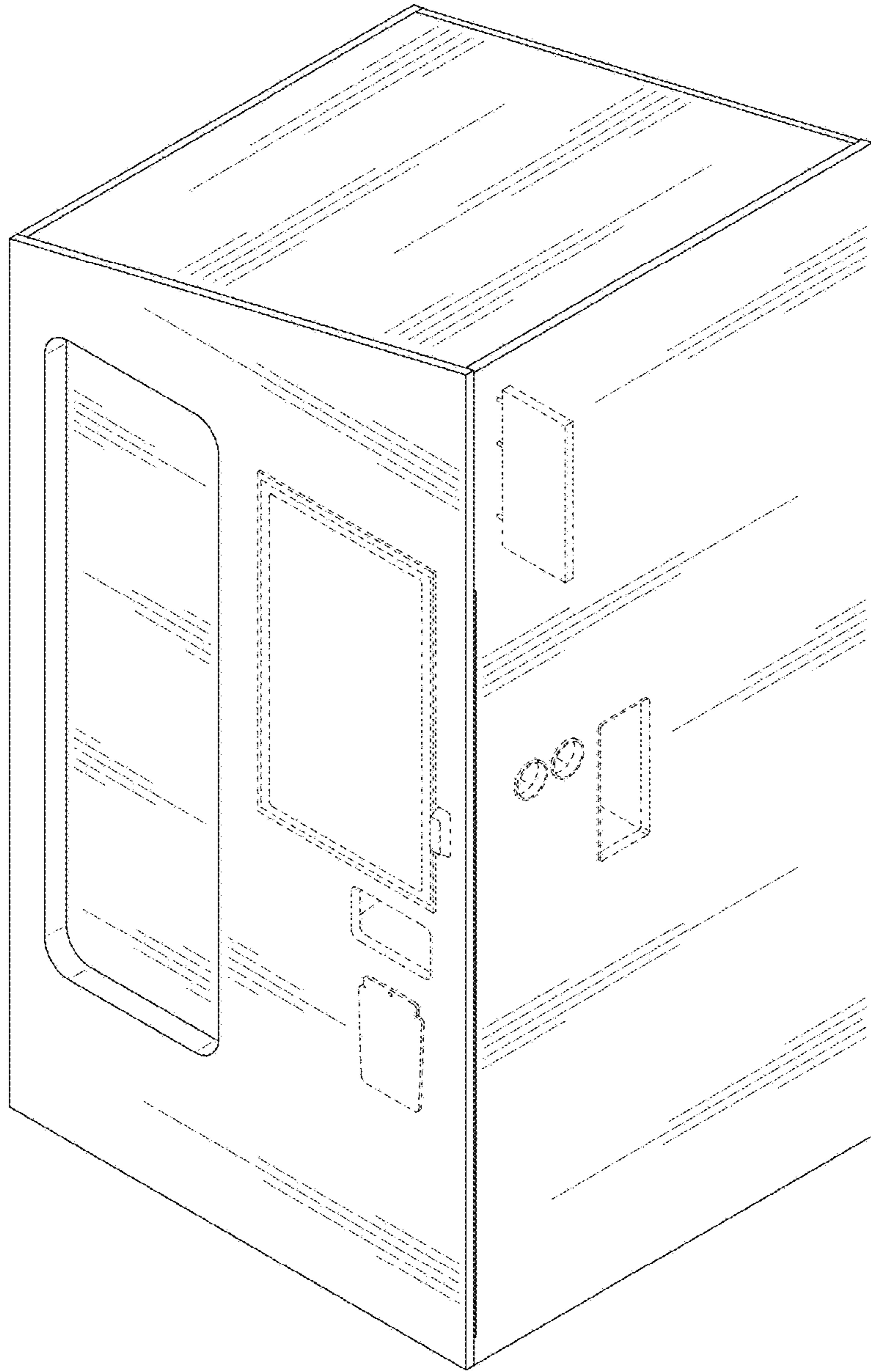


FIG. 1

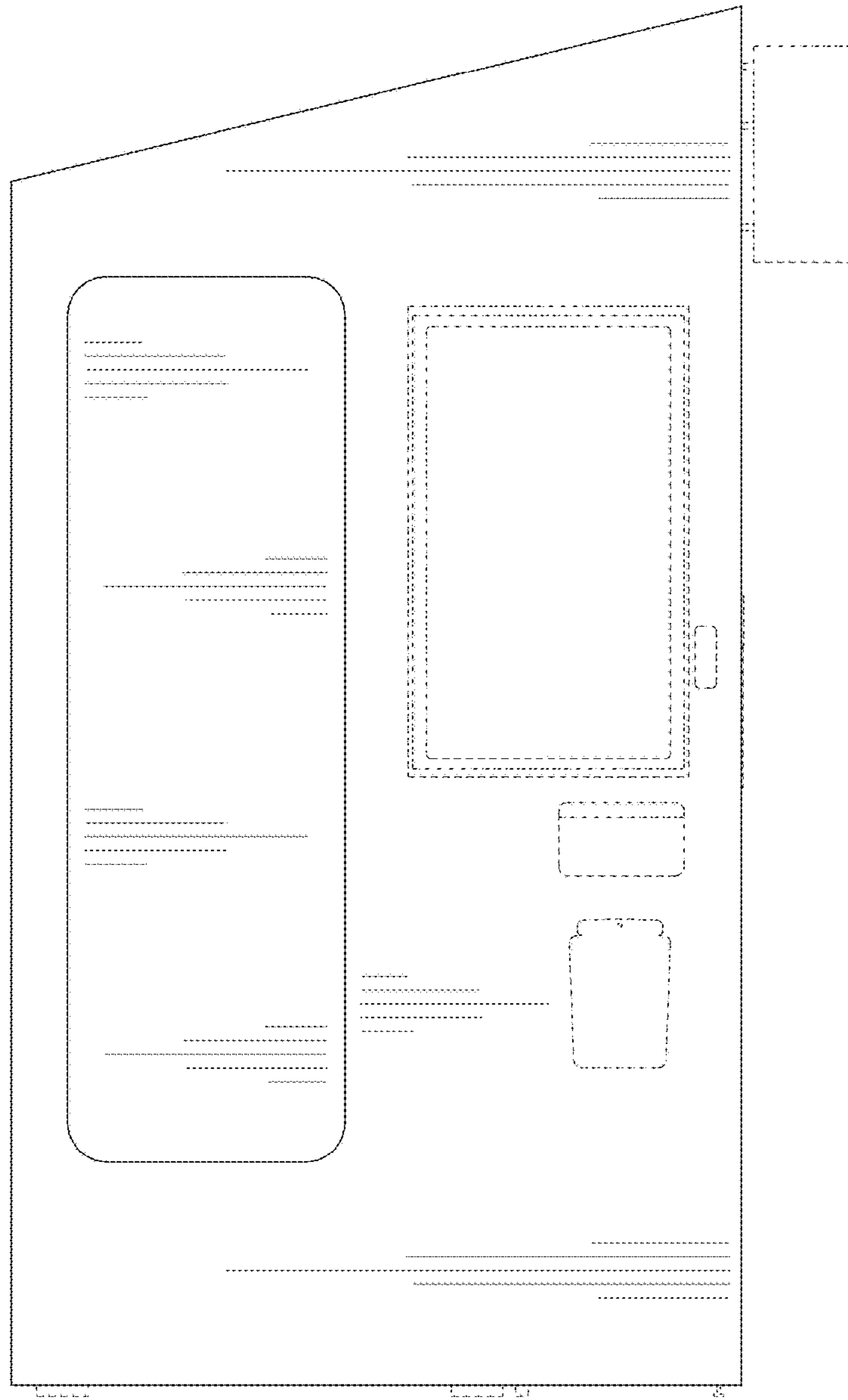


FIG. 2

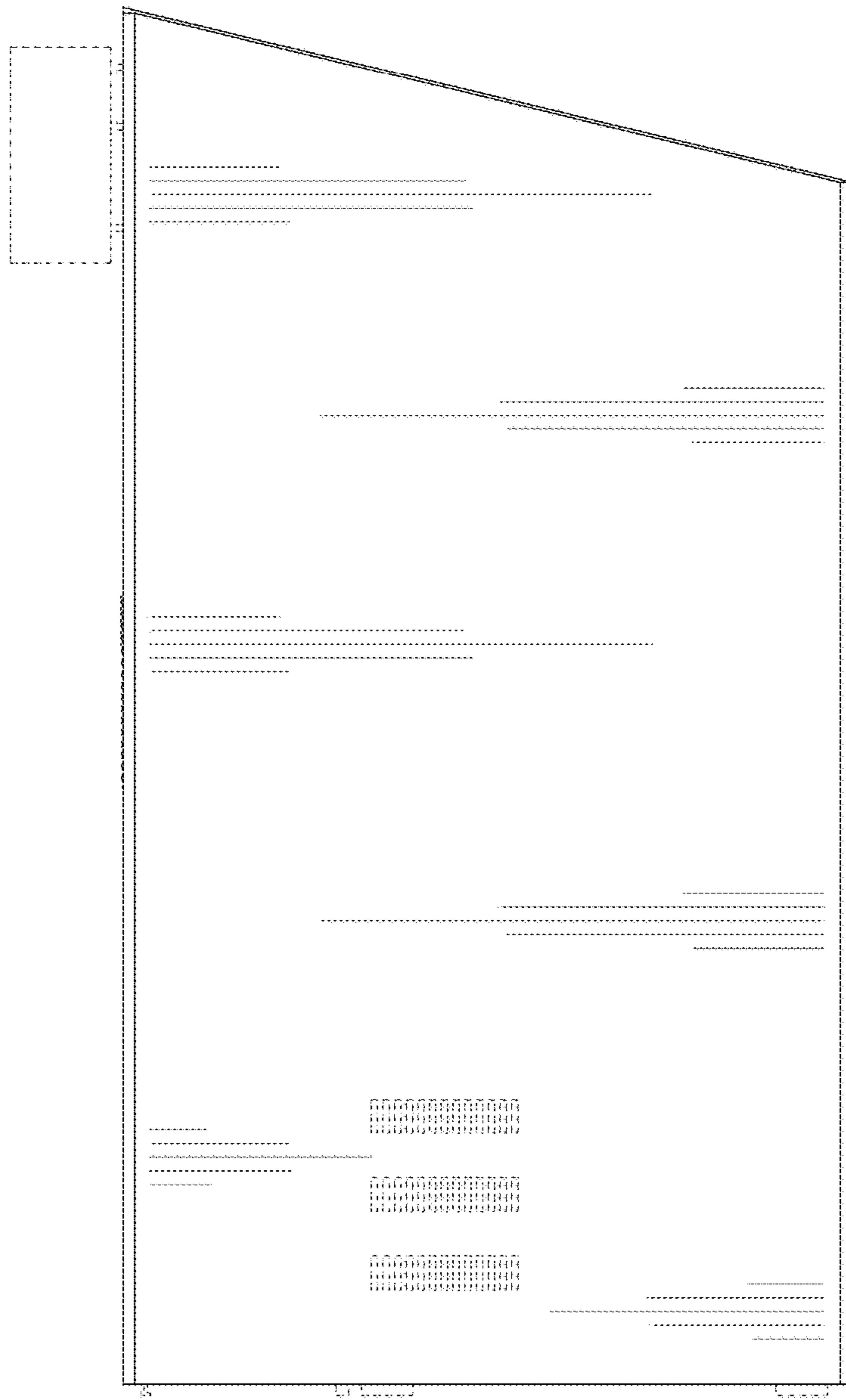


FIG. 3

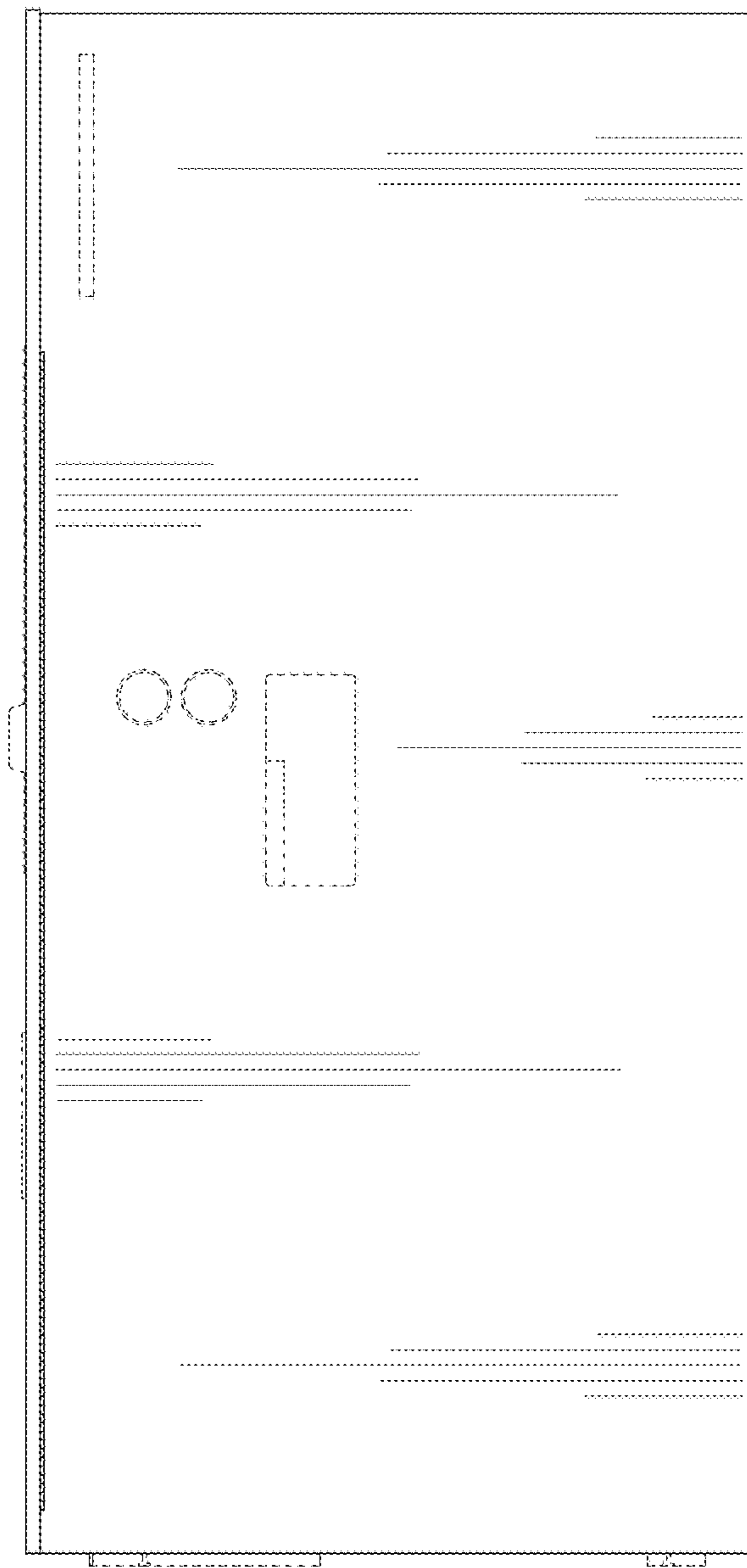


FIG. 4

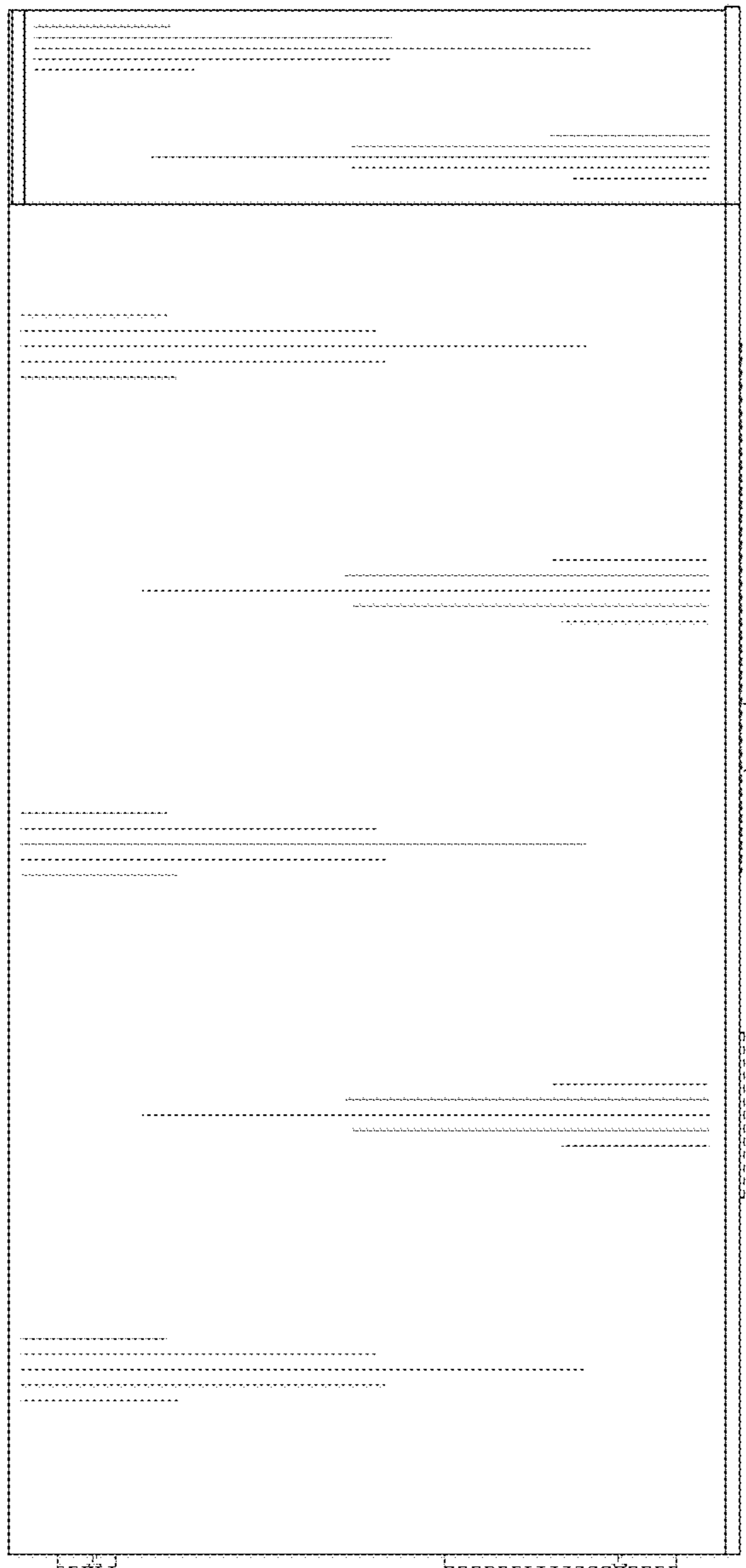


FIG. 5

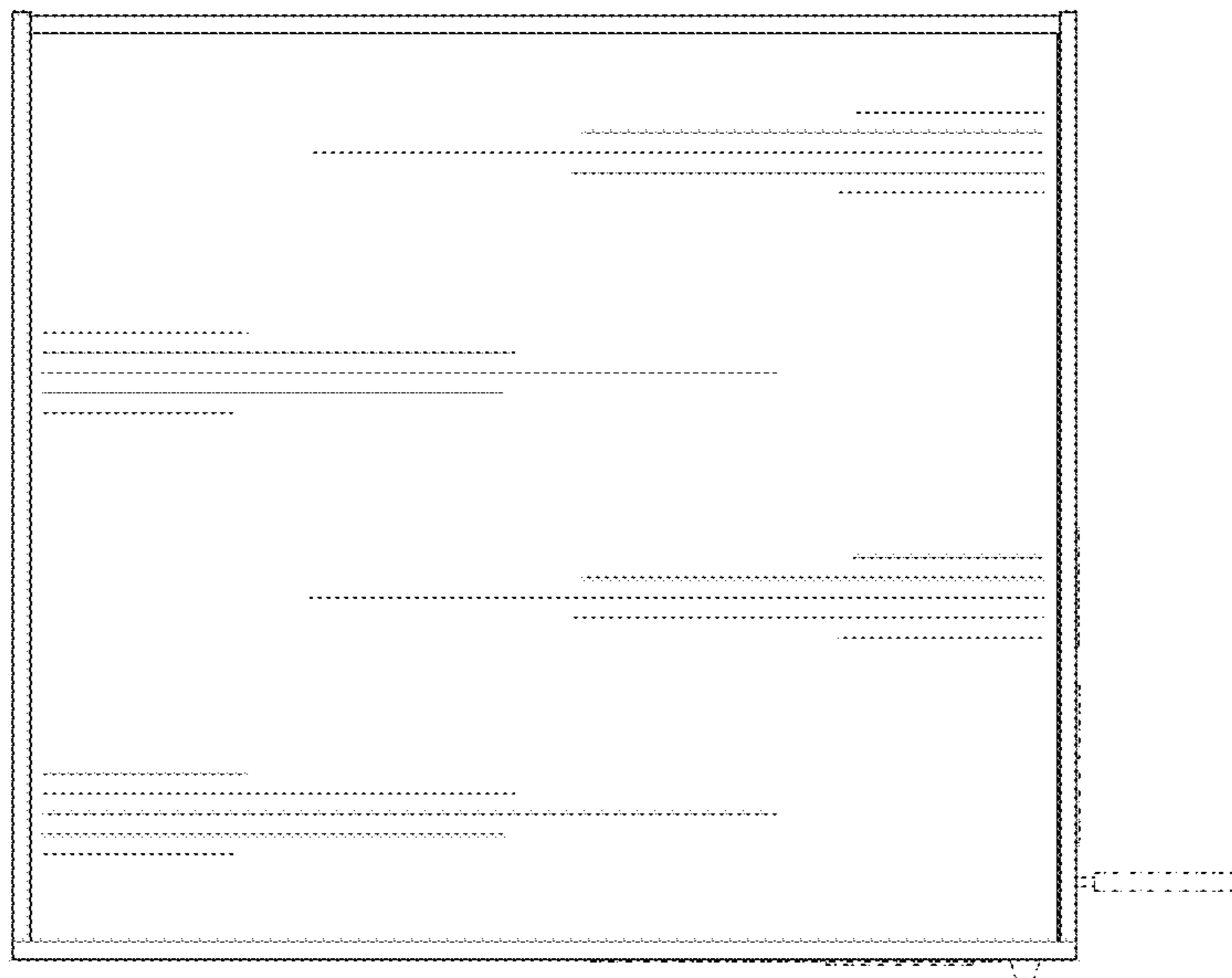


FIG. 6

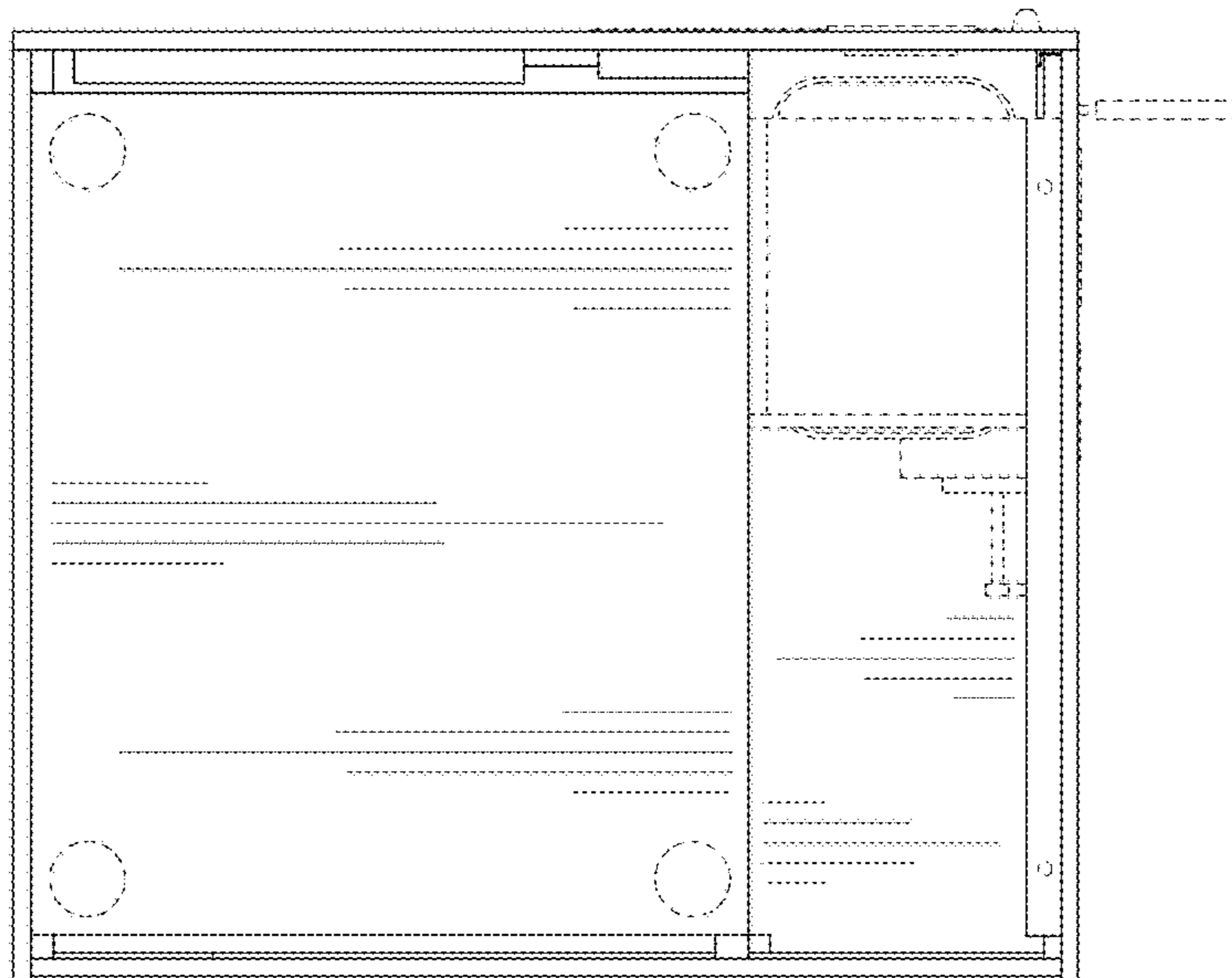


FIG. 7

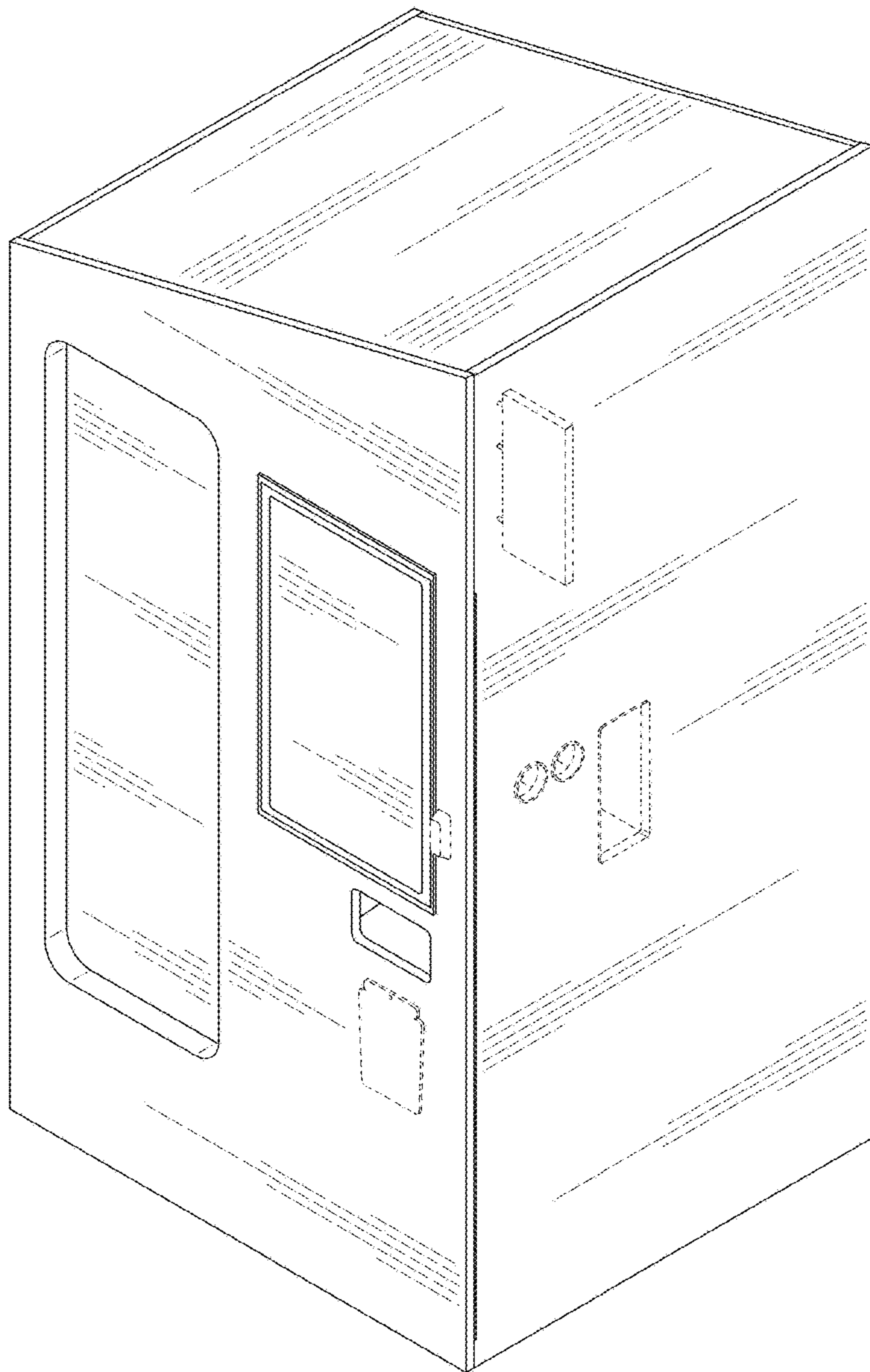


FIG. 8

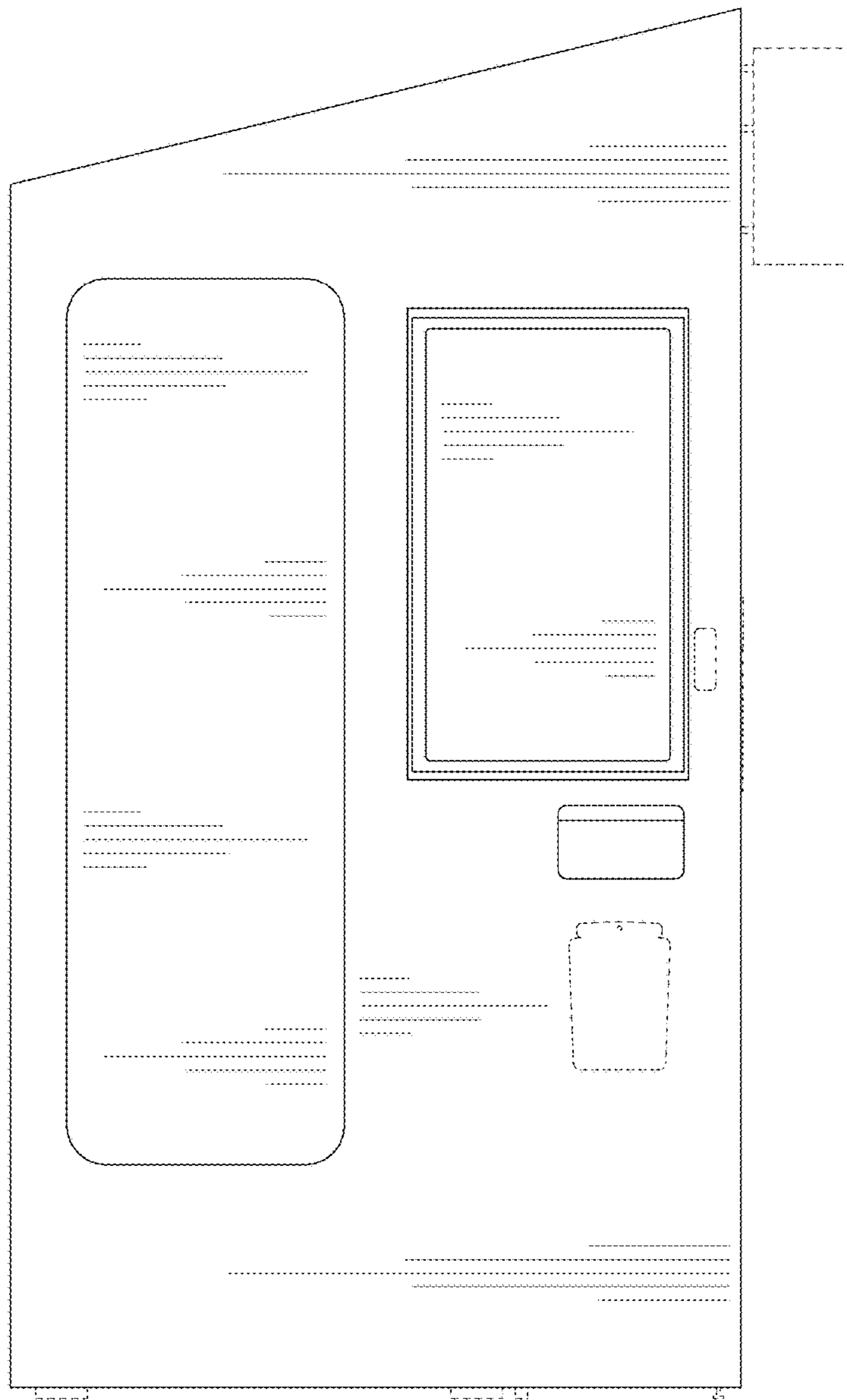


FIG. 9

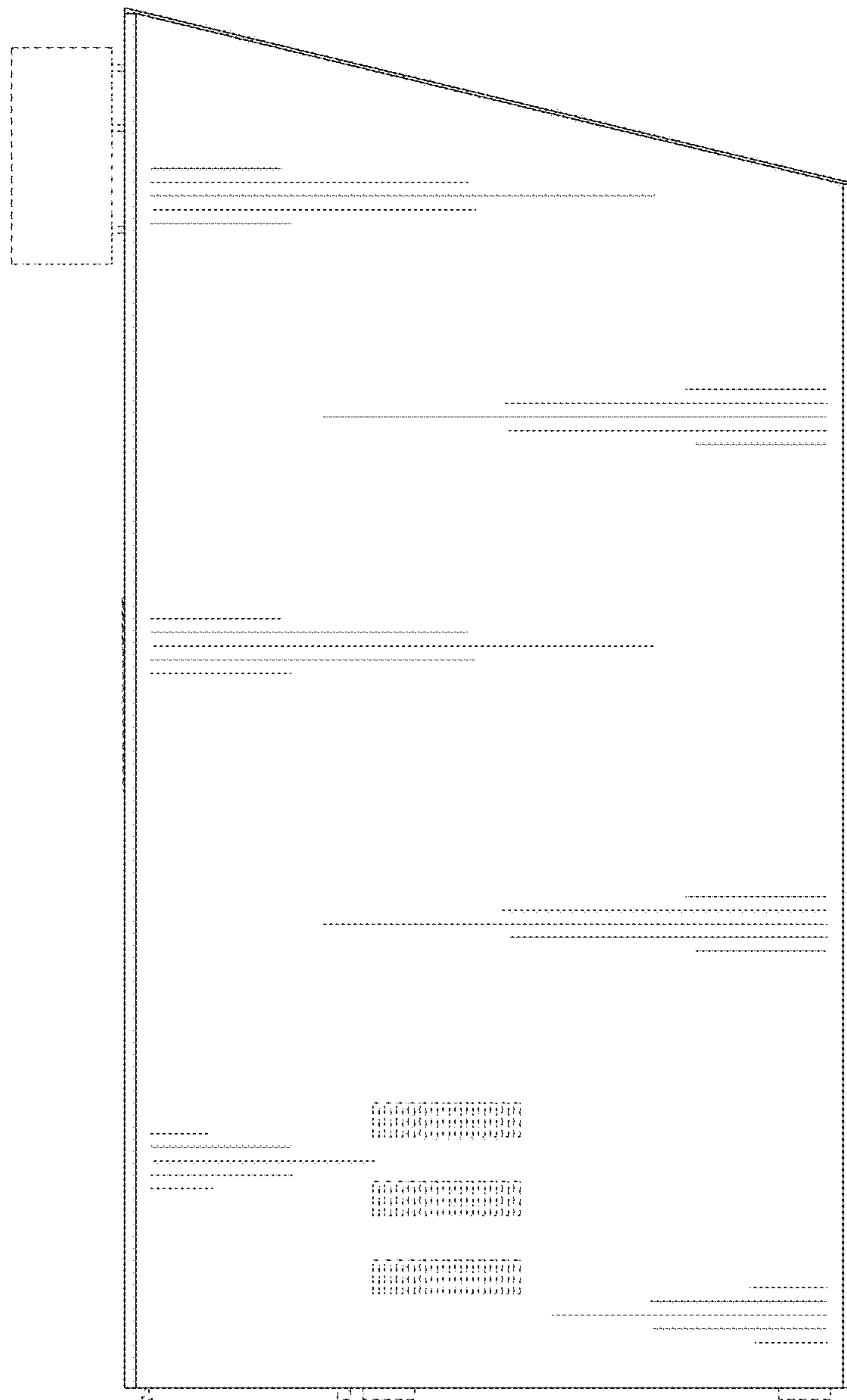


FIG. 10

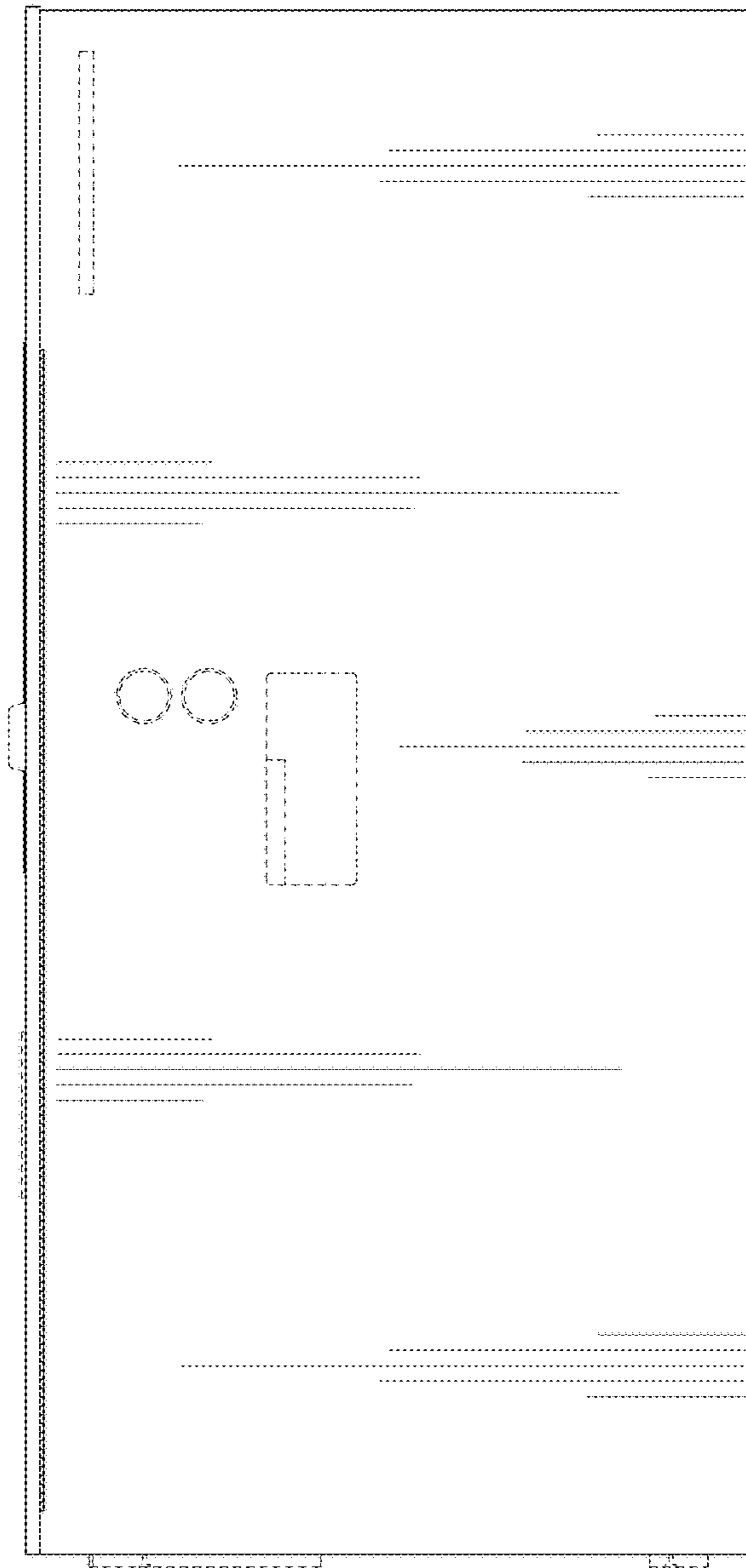


FIG. 11

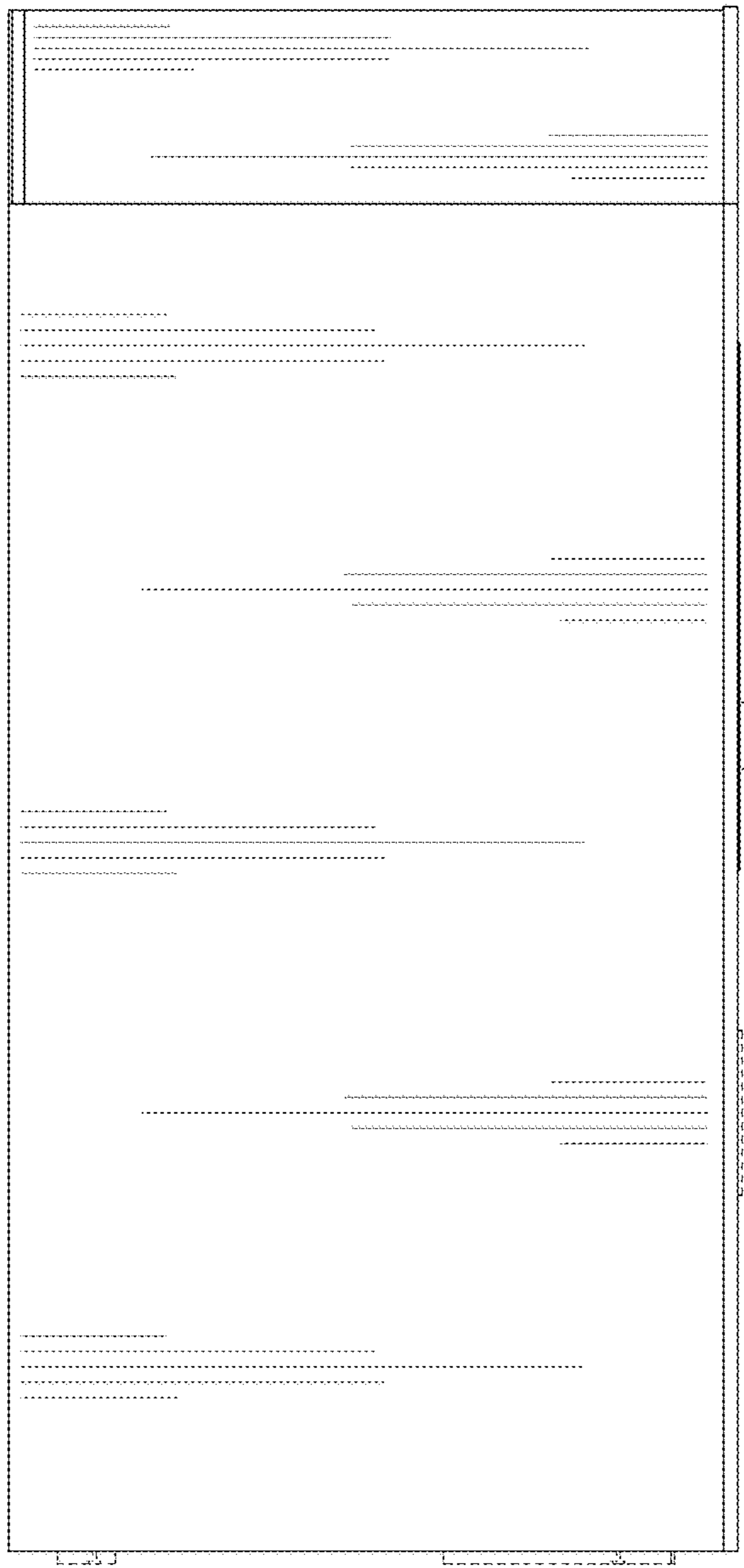


FIG. 12

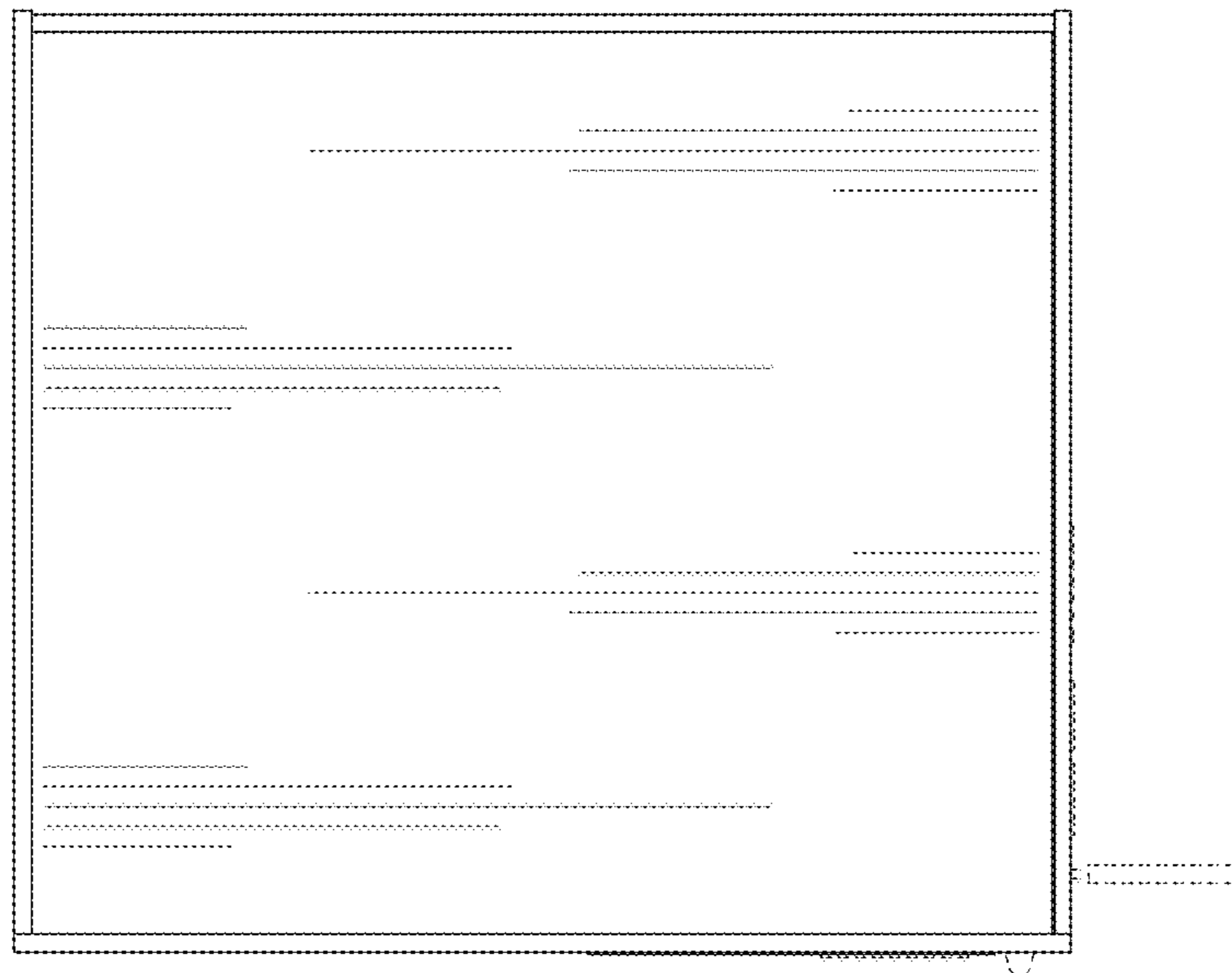


FIG. 13

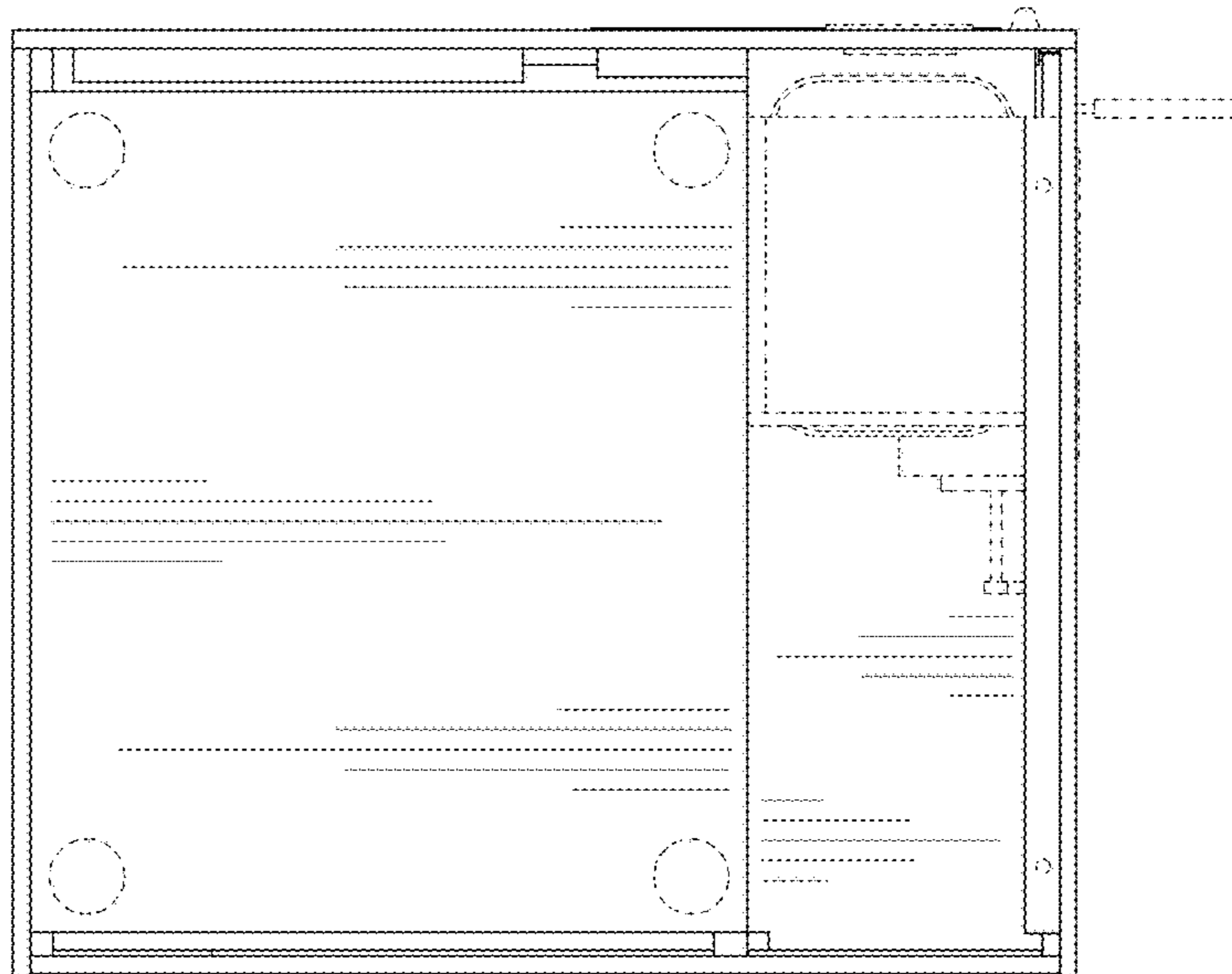


FIG. 14

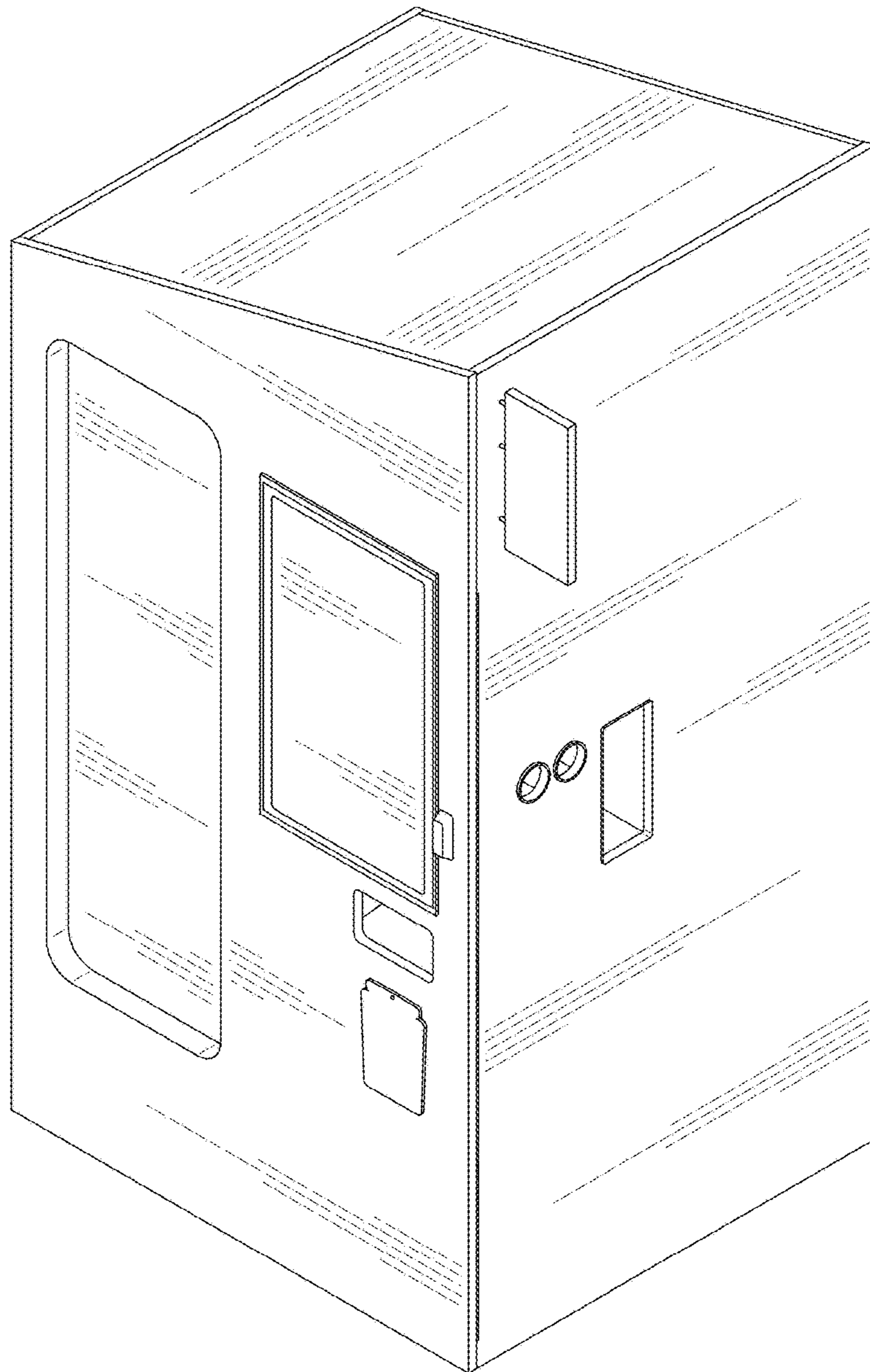


FIG. 15

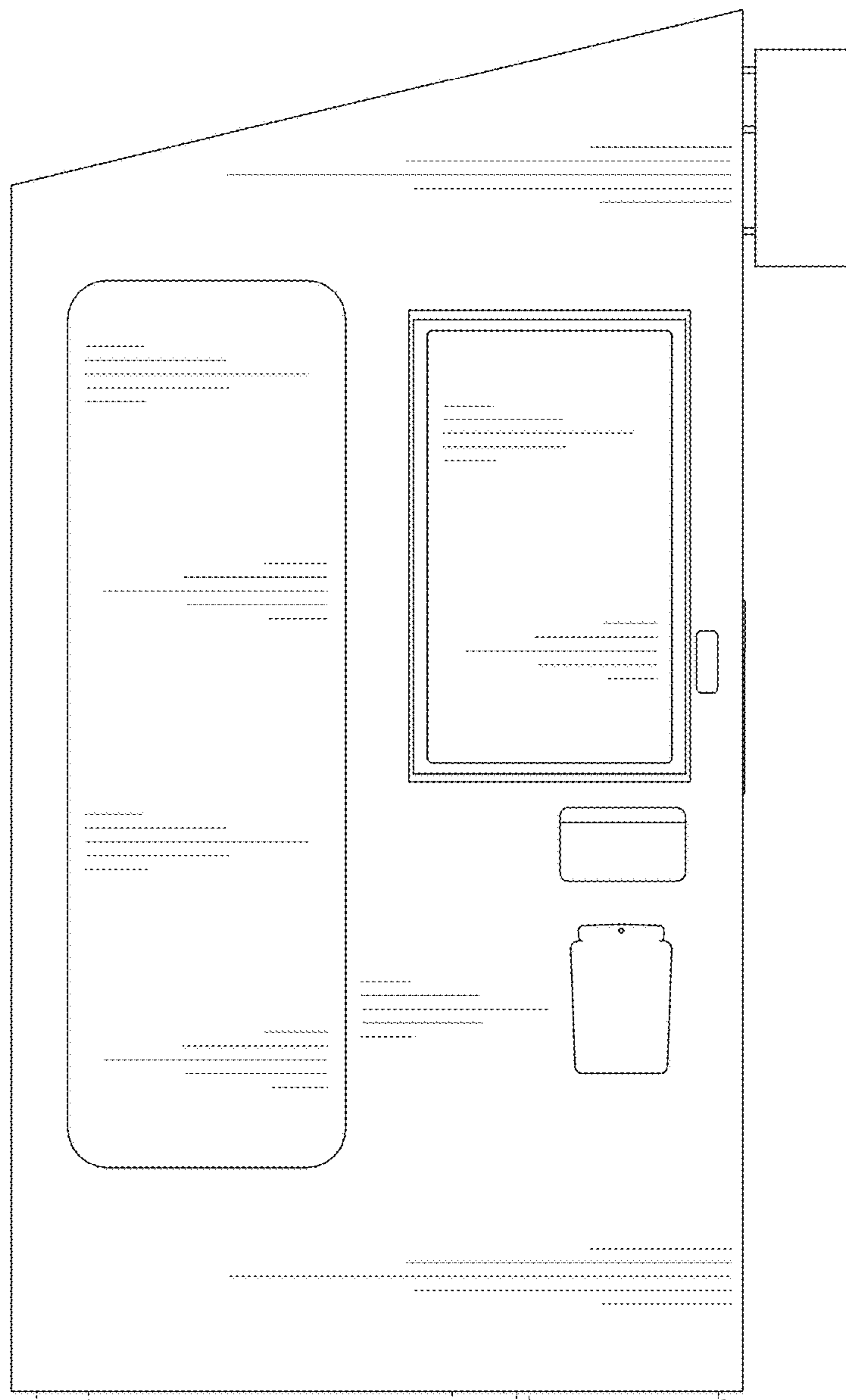


FIG. 16

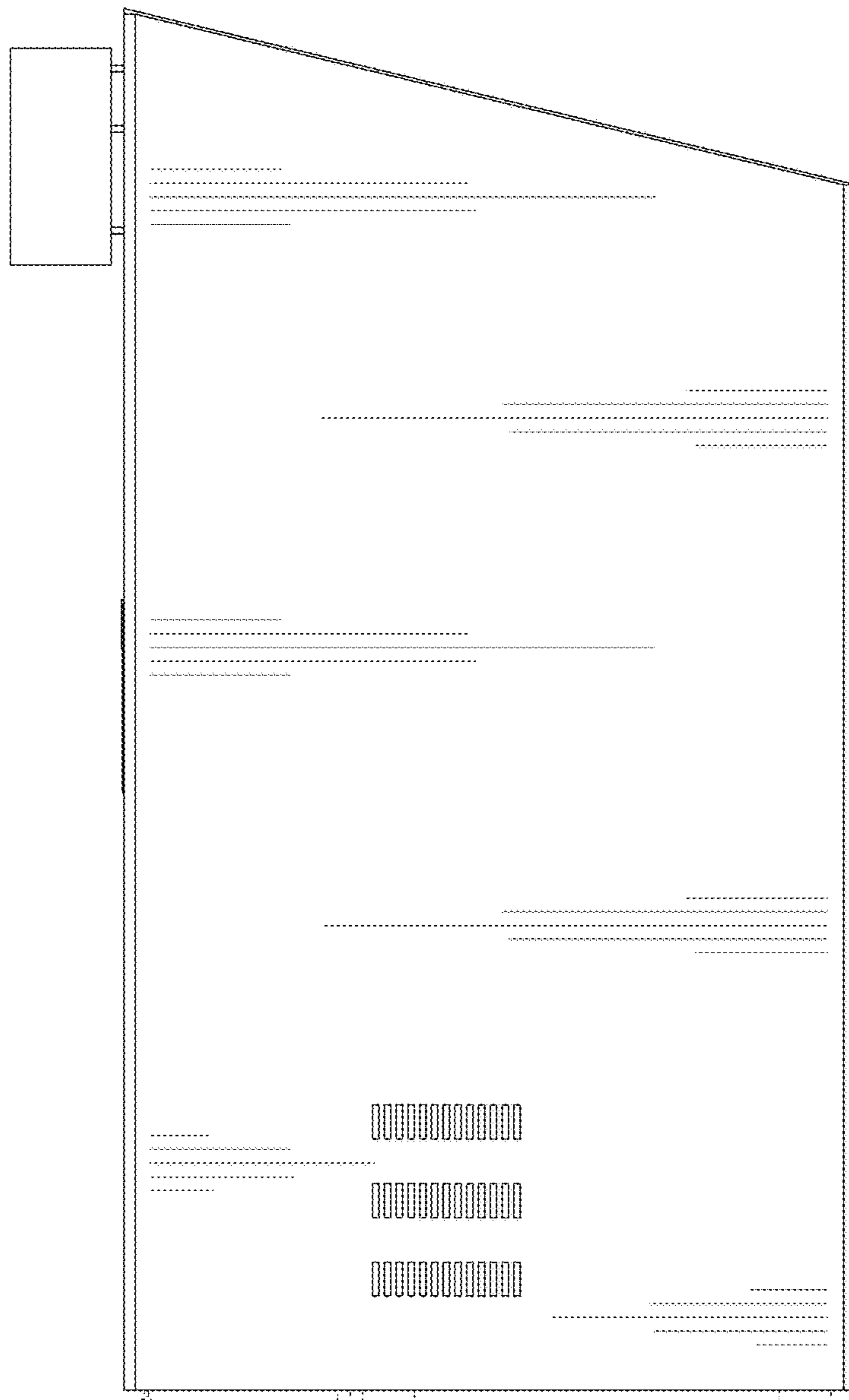


FIG. 17

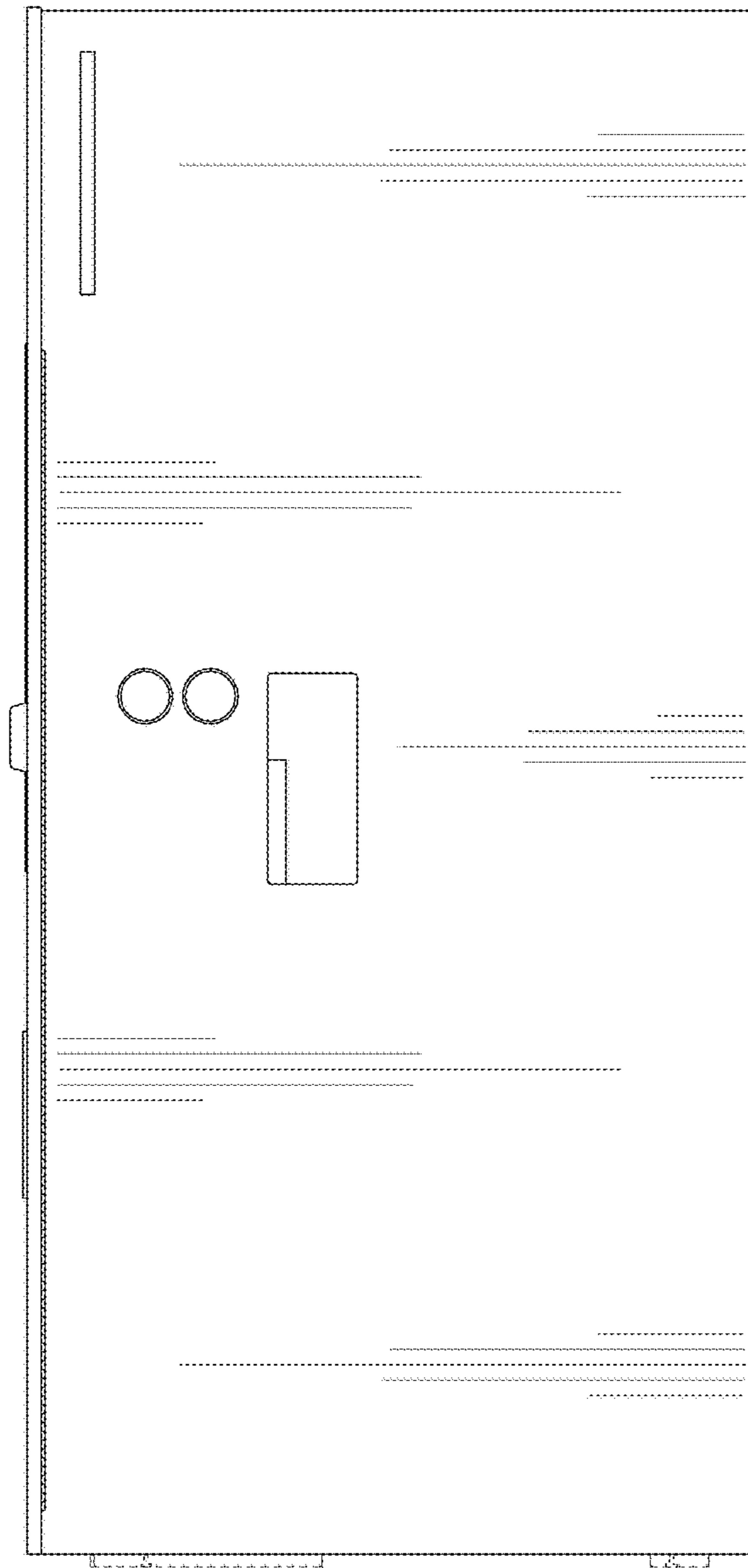


FIG. 18

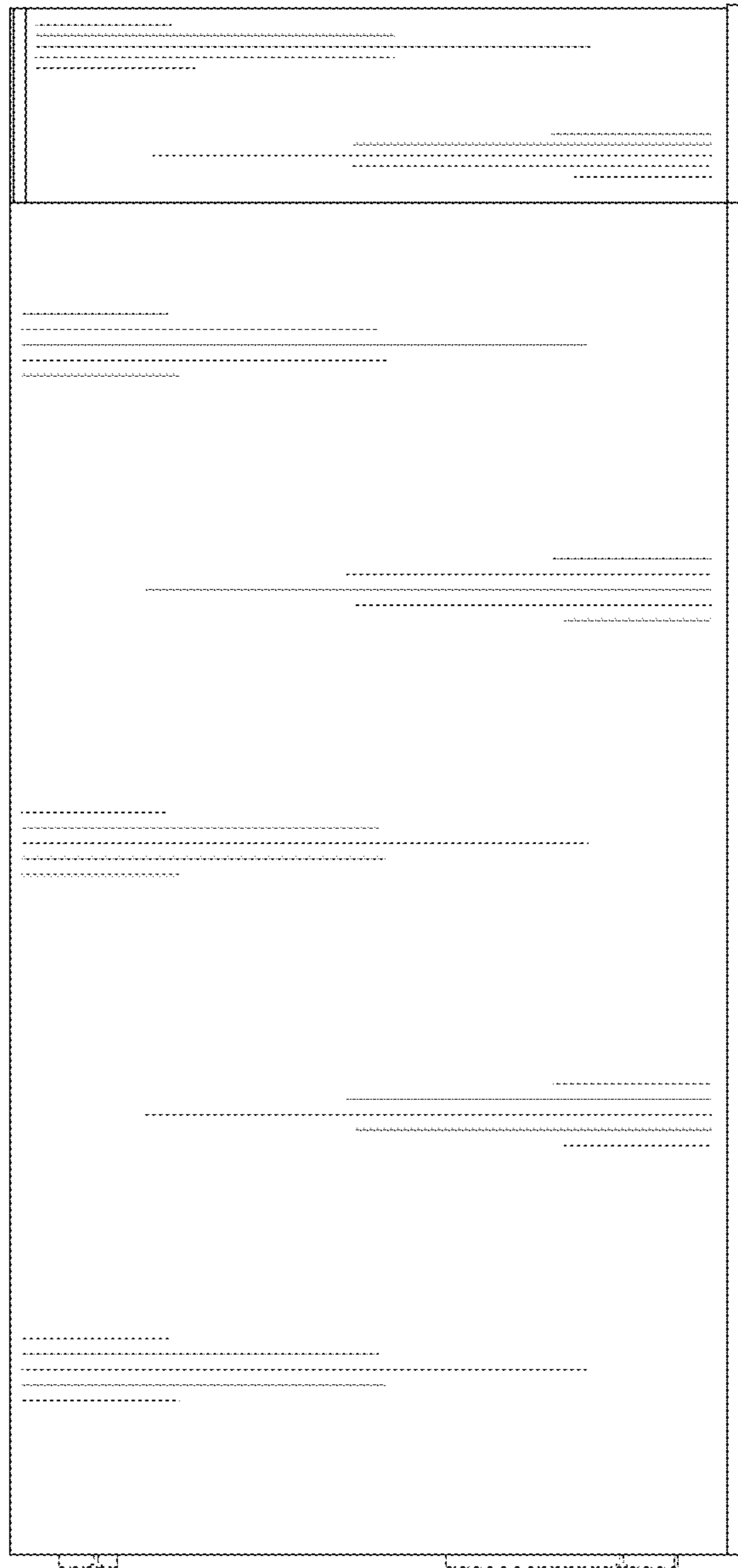


FIG. 19

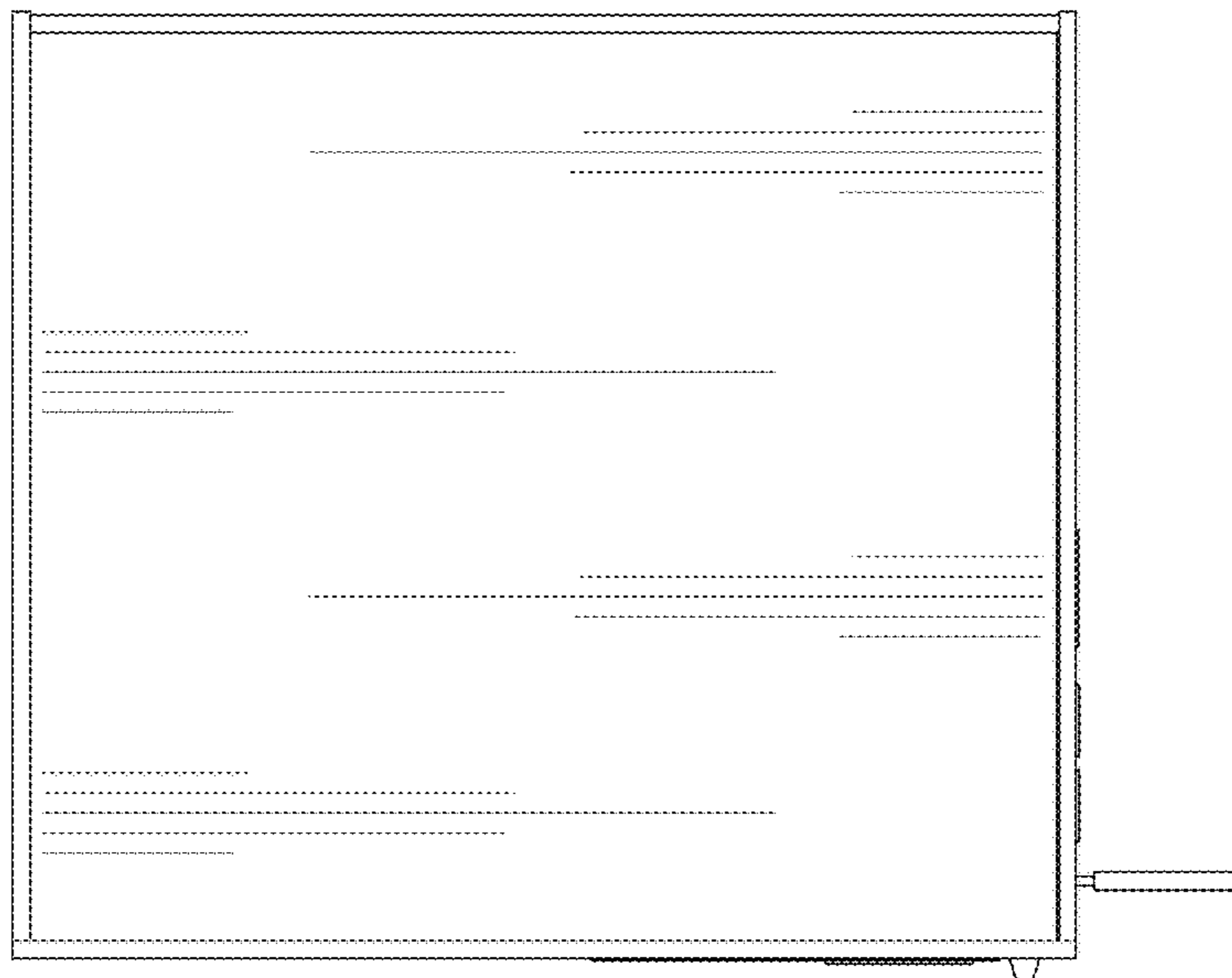


FIG. 20

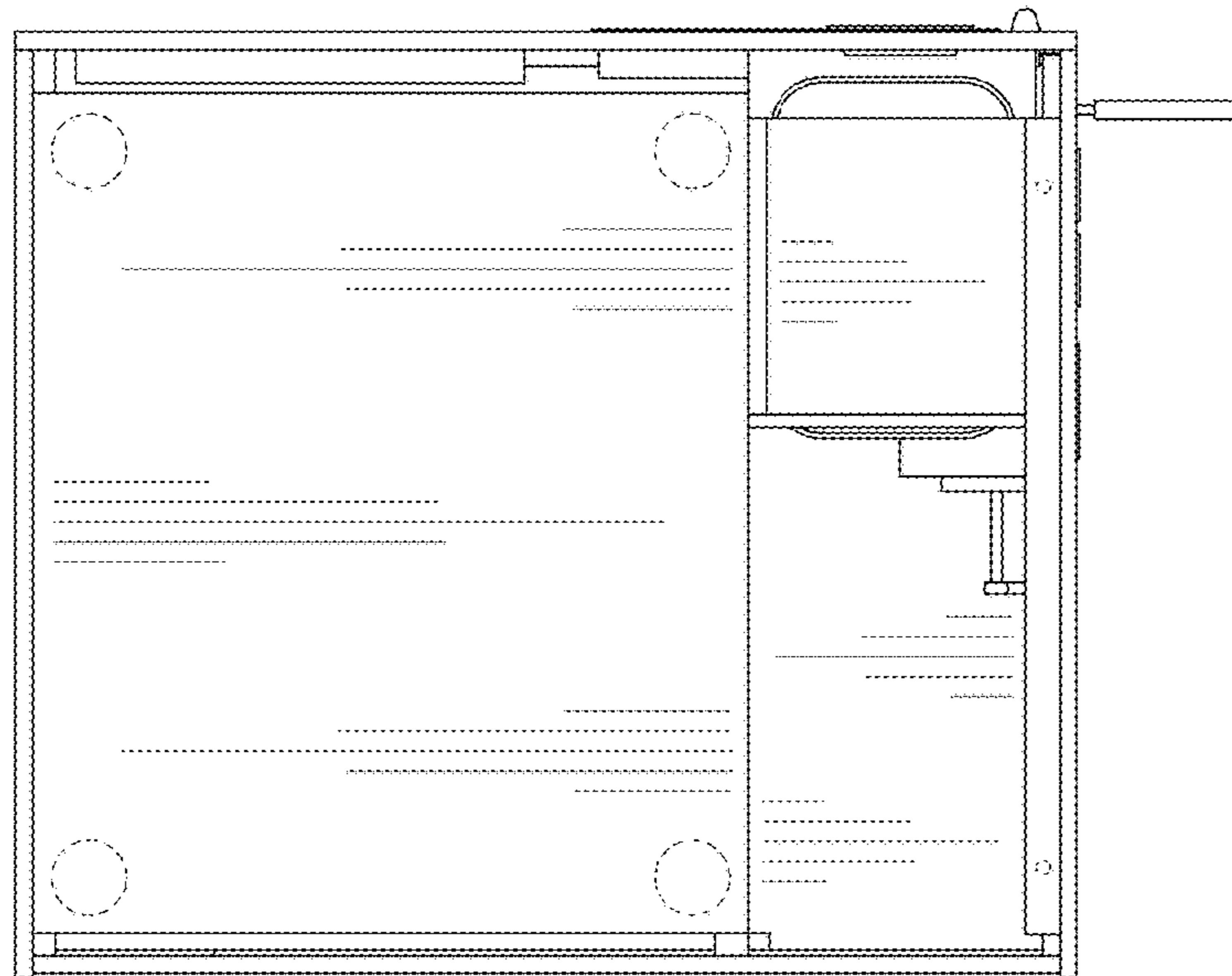


FIG. 21