



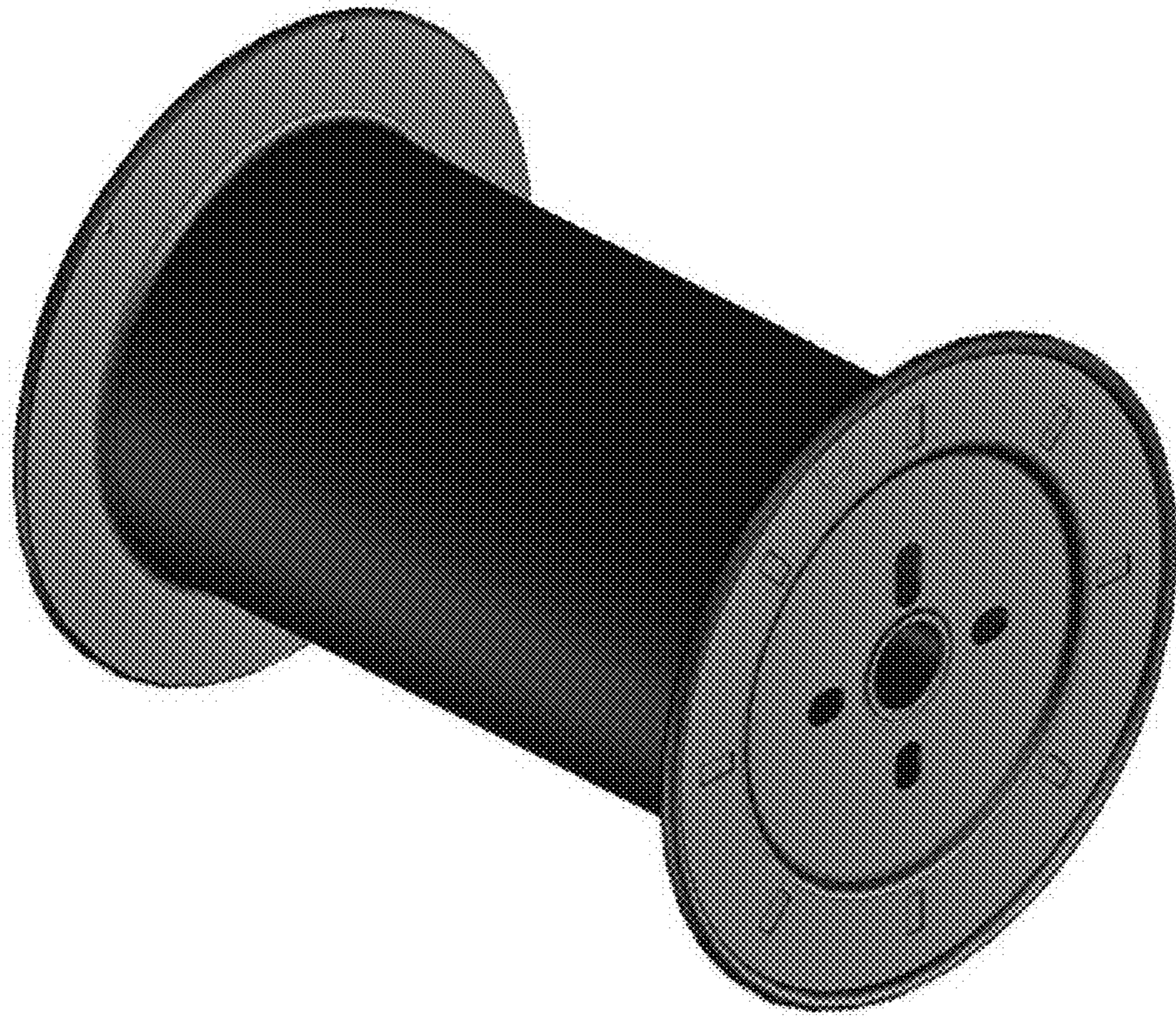
(56)

**References Cited**

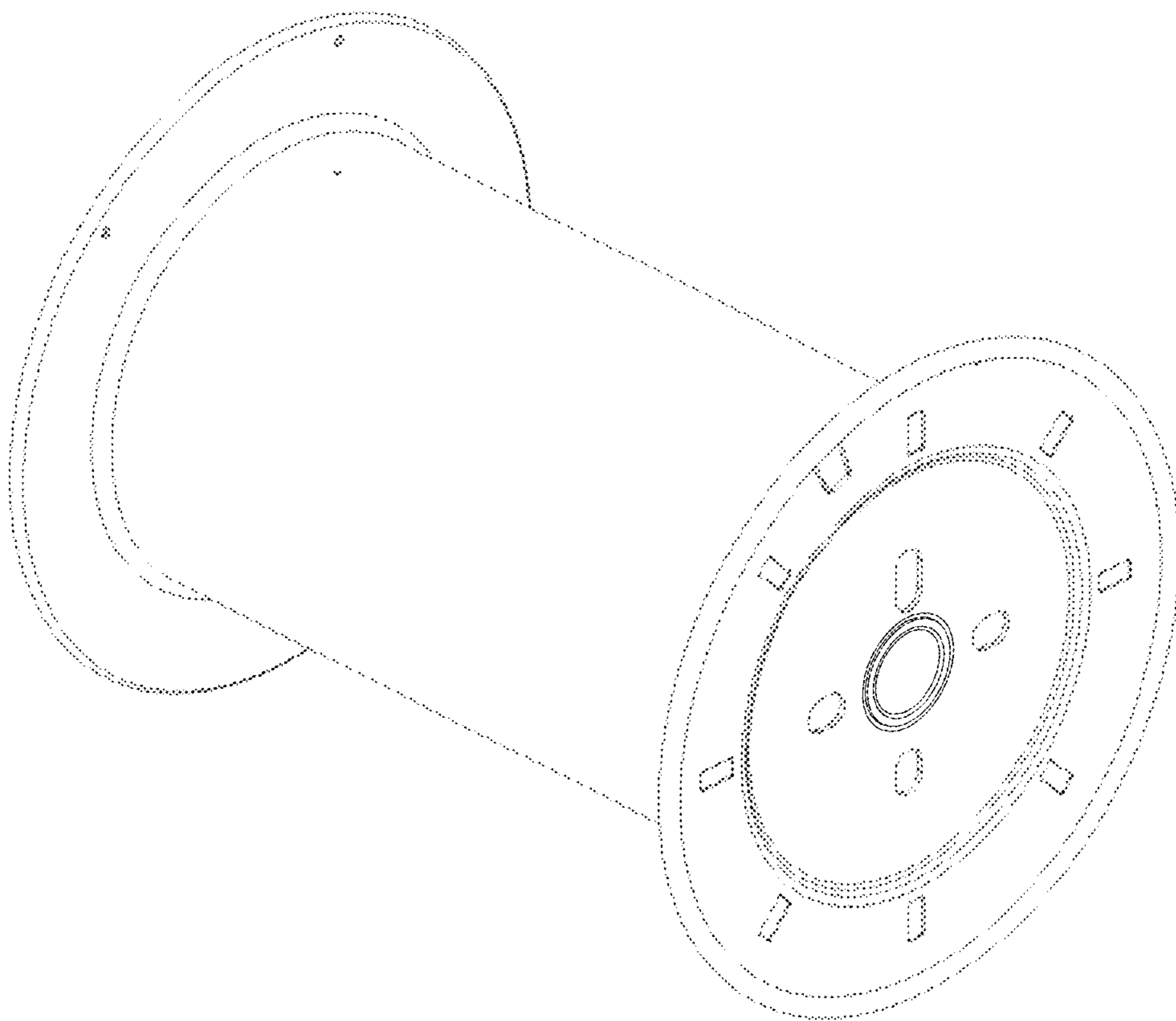
U.S. PATENT DOCUMENTS

D755,040	S	*	5/2016	Ito	.....	D8/358
D774,383	S	*	12/2016	Kennedy	.....	D8/358
D778,712	S	*	2/2017	Kennedy	.....	D8/358
D782,180	S	*	3/2017	Eberhard	.....	D3/18
D821,598	S	*	6/2018	Greenhouse	.....	D24/212
D821,599	S	*	6/2018	Greenhouse	.....	D24/212

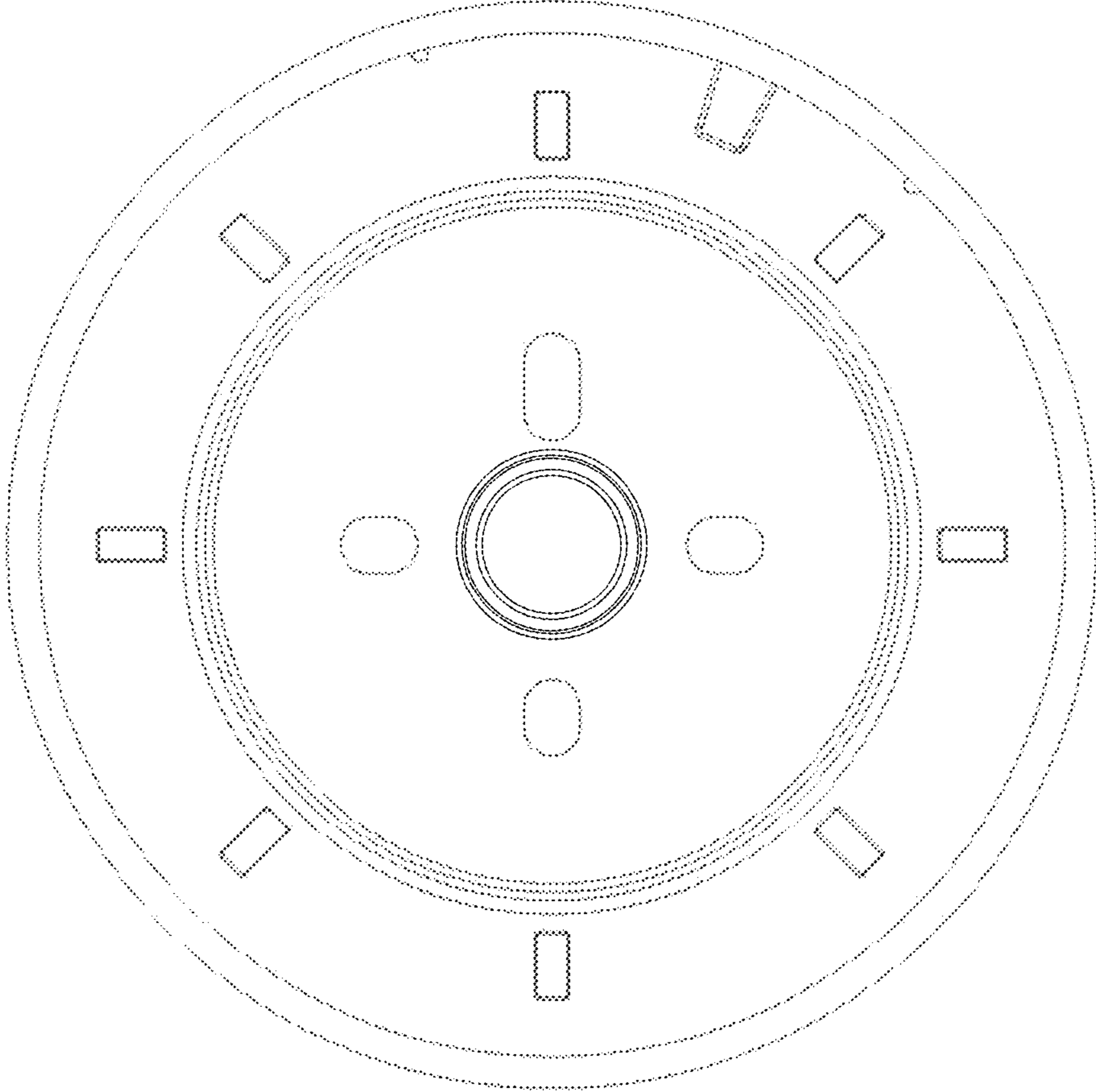
\* cited by examiner



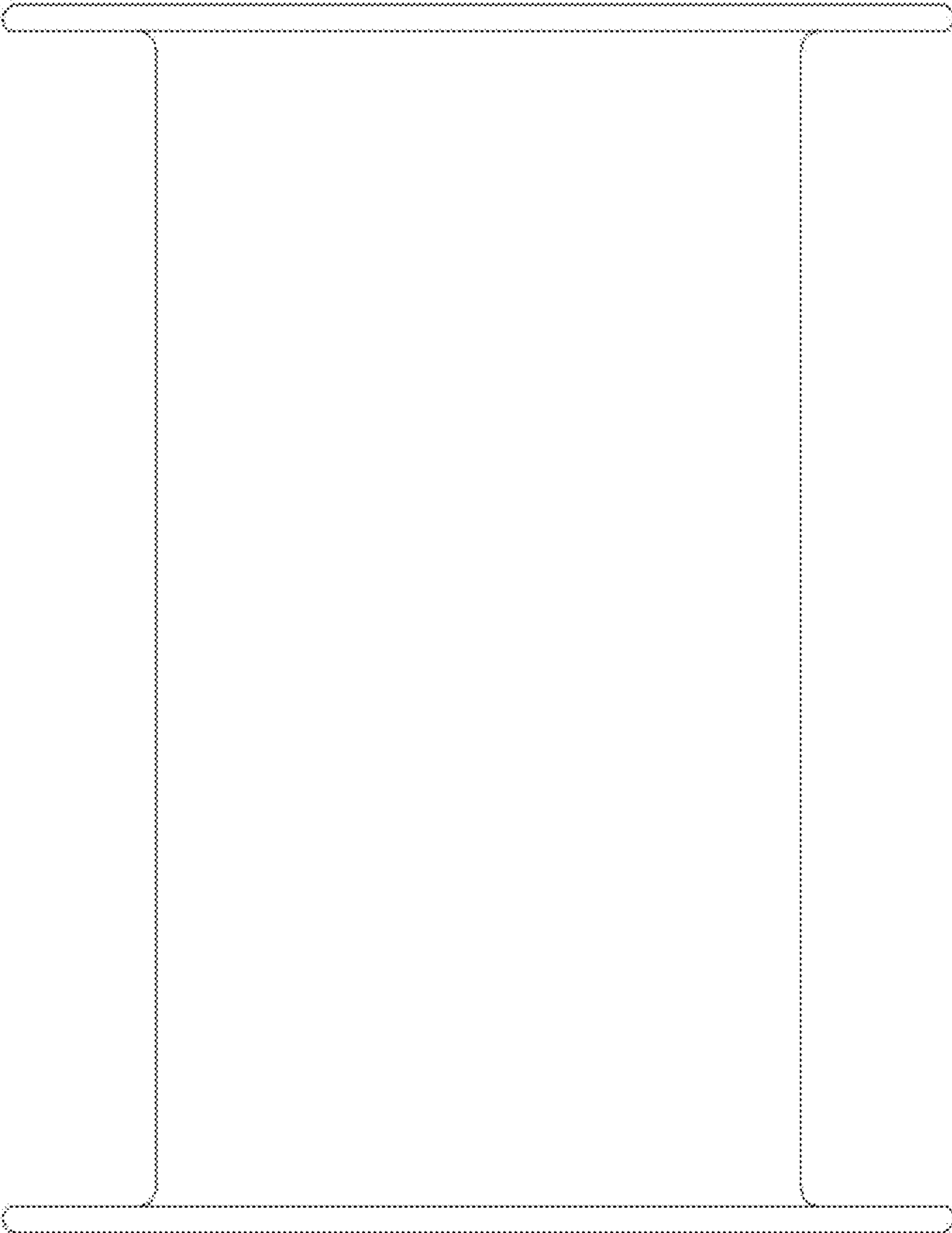
1.1



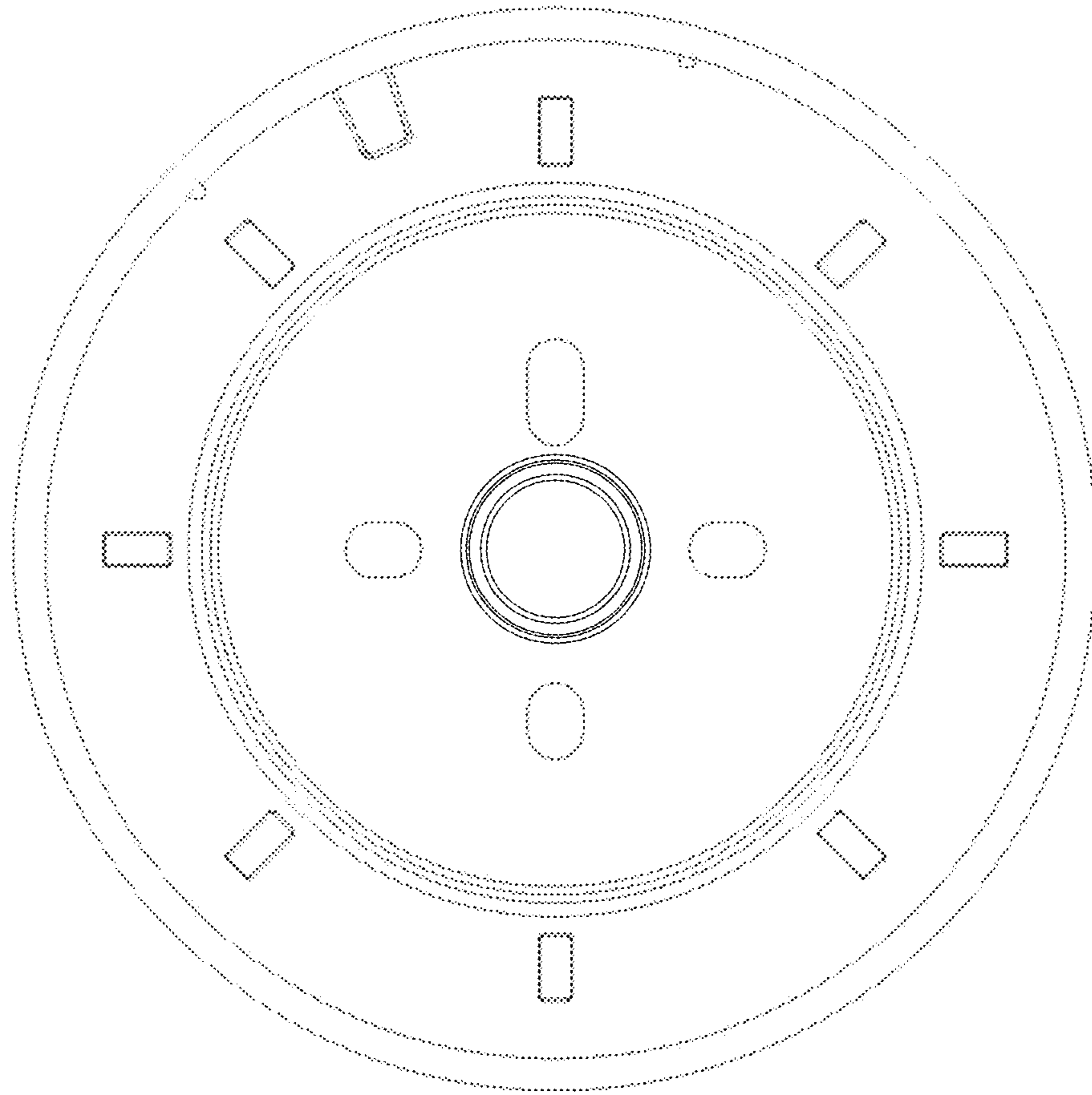
1.2



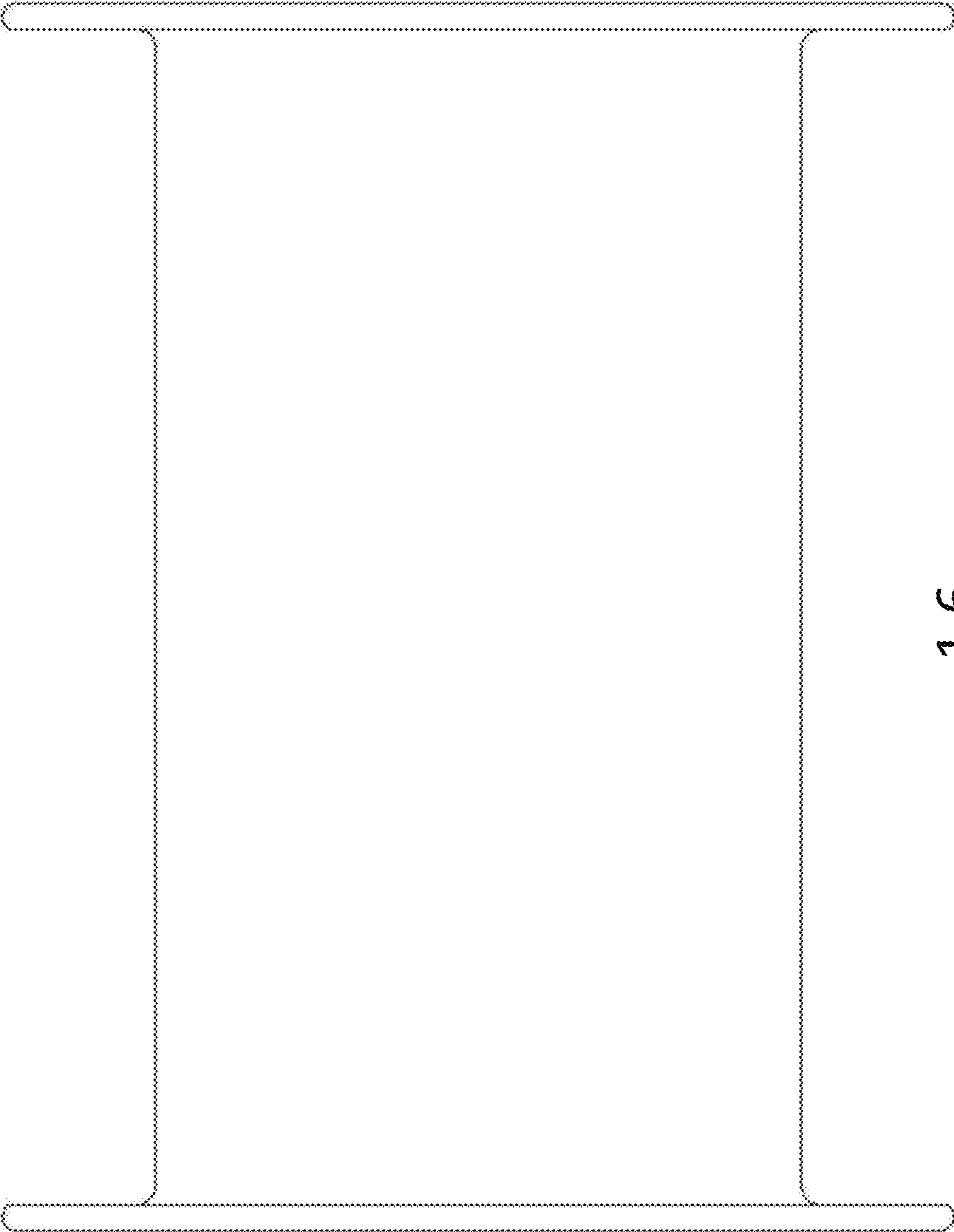
1.3



1.4

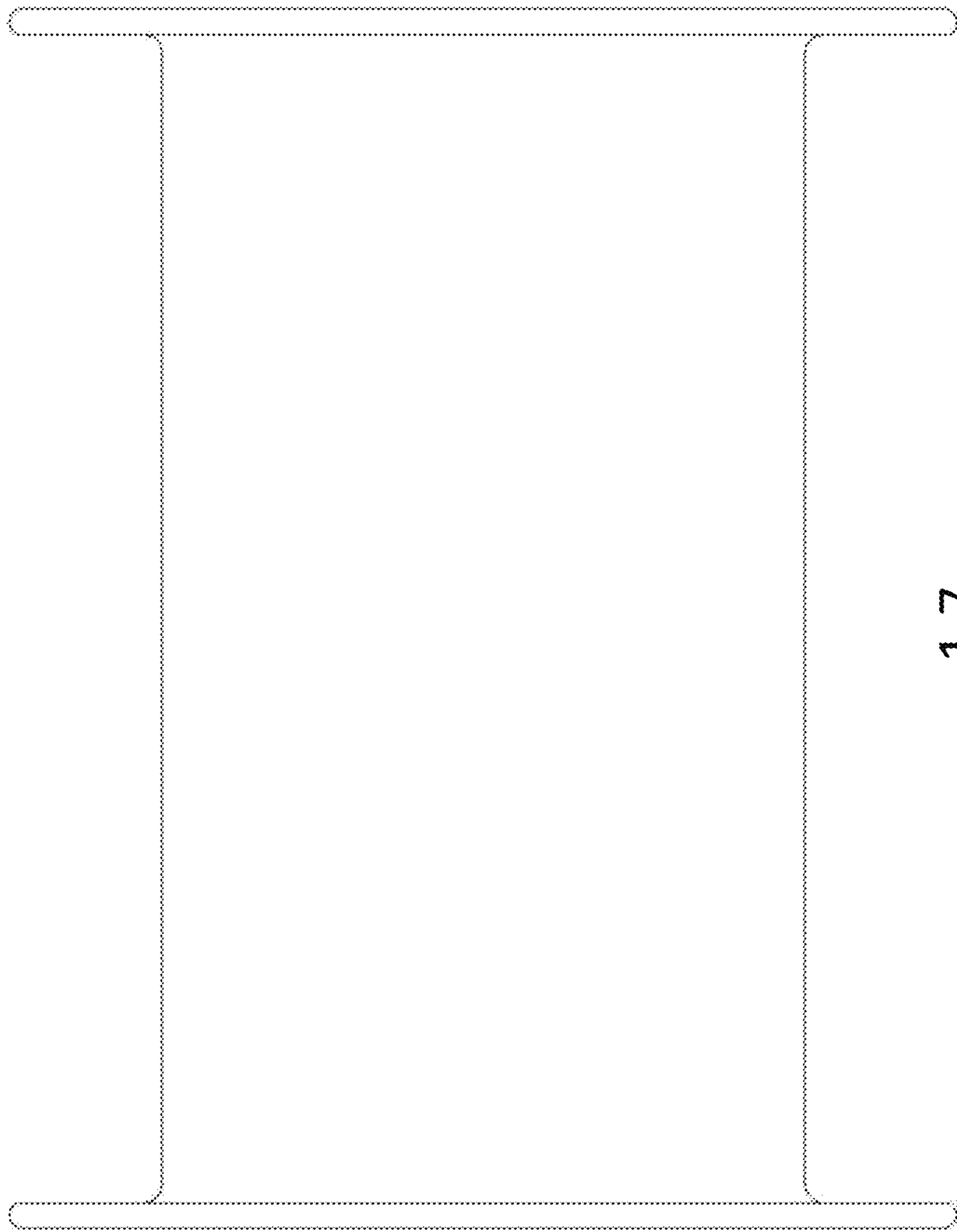


1.5

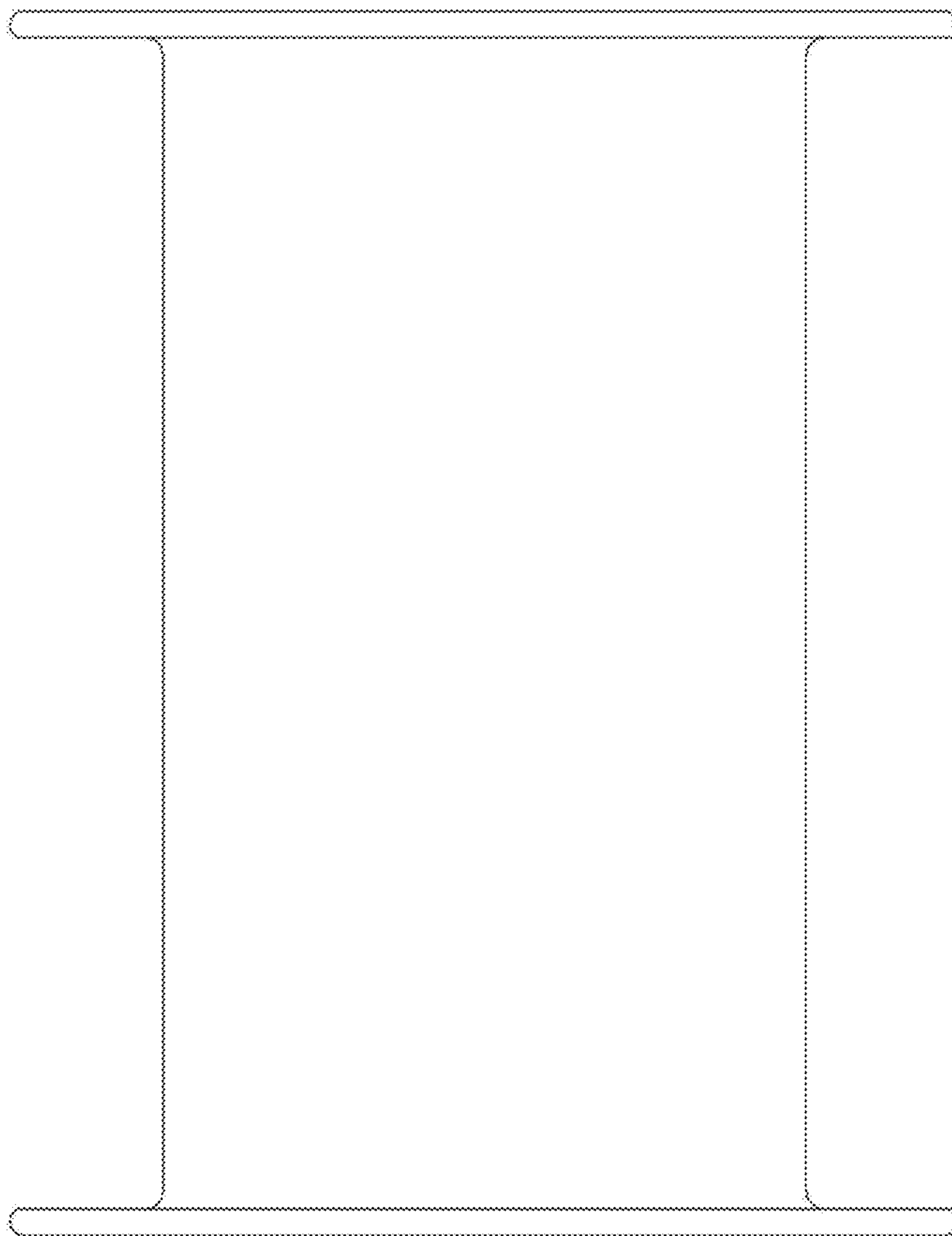


1.6





1.7



1.8